



RM

Costruzioni Elettroniche

di Marchioni Davide & Daniele s.n.c.

Via IV Novembre 215/5

Casella postale N° 33

40045 Ponte della Venturina (BO) ITALY

Tel +39 0534 60460

Fax +39 0534 60463

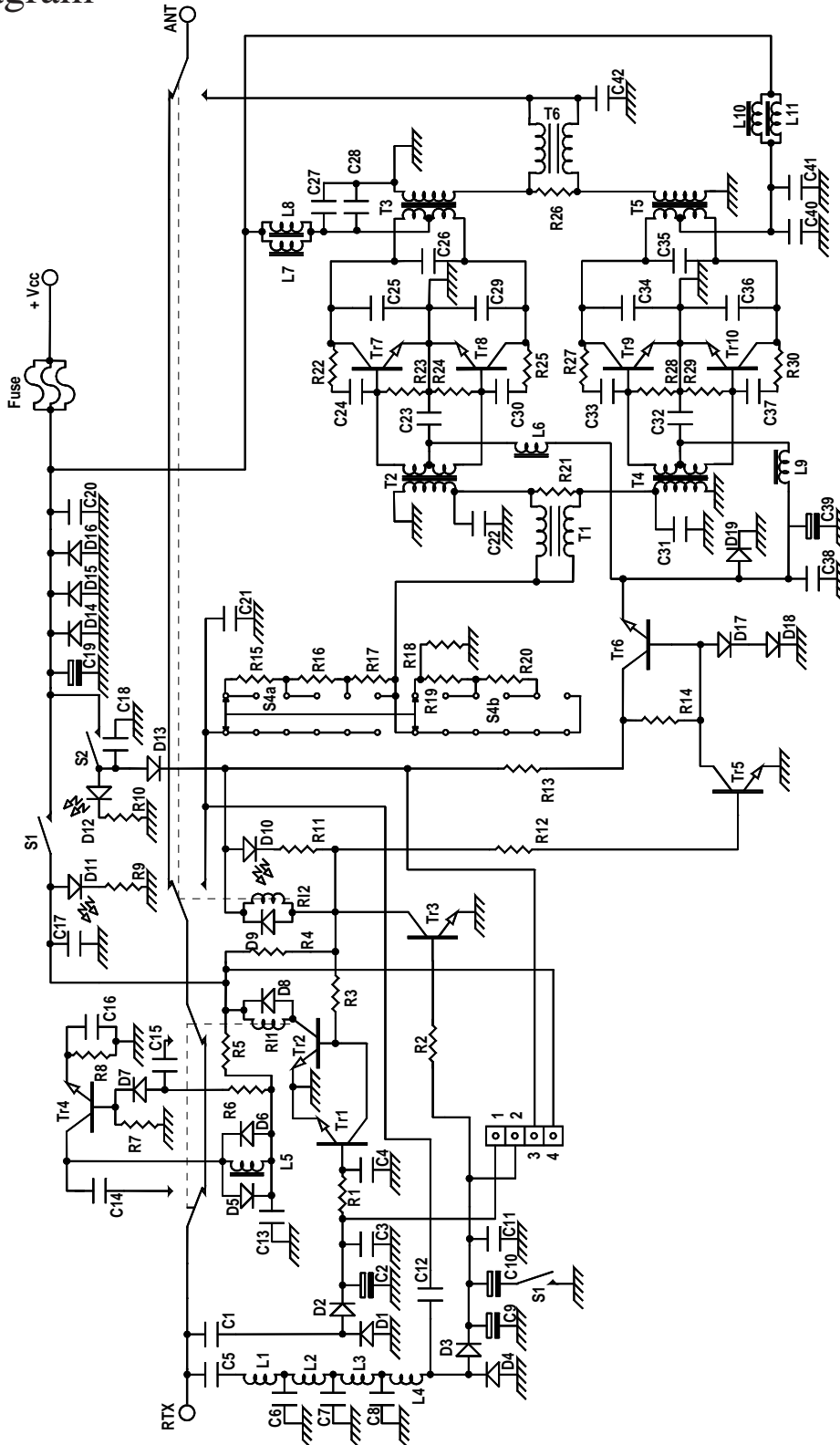
E-MAIL ufftec@rmitaly.com

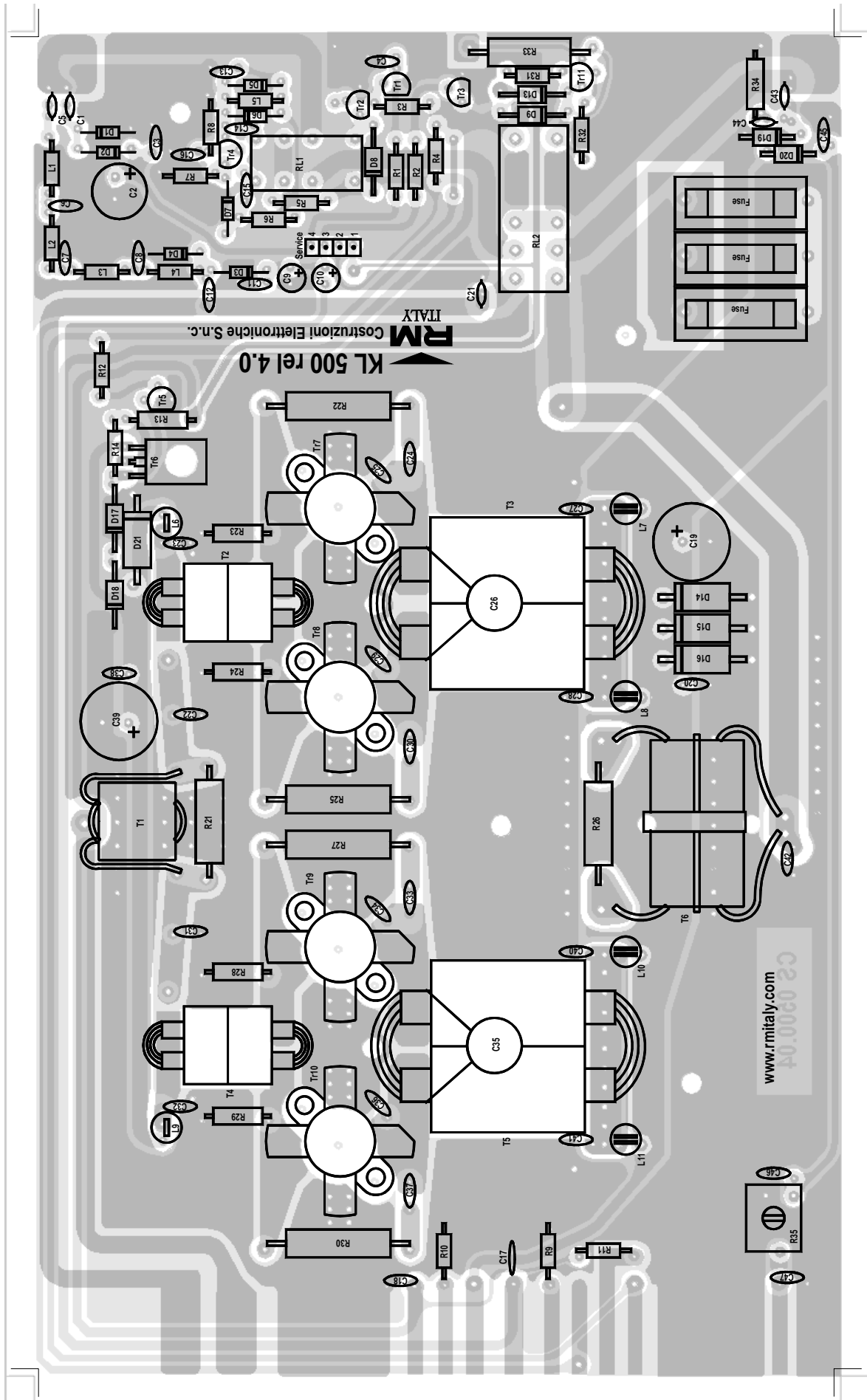
<http://www.rmitaly.com>

Mod. KL 500 linear amplifier

Schematic diagram

Version 4.00





List of components

C ₁ = 8,2 pF	50 V	N750	R ₇ = 2,2 K Ω	¼W
C ₂ = 10 μ F	16 V		R ₈ = 100 Ω	¼W
C ₃ = 10 nF	50 V		R ₉ = 1,0 K Ω	¼W
C ₄ = 10 nF	50 V		R ₁₀ = 1,0 K Ω	¼W
C ₅ = 3,3 pF	50 V	N750	R ₁₁ = 1,0 K Ω	¼W
C ₆ = 100 pF	50 V	N750	R ₁₂ = 12 K Ω	¼W
C ₇ = 100 pF	50 V	N750	R ₁₃ = 1,0 Ω	½W
C ₈ = 82 pF	50 V	N750	R ₁₄ = 680 Ω	¼W
C ₉ = 2,2 μ F	16 V		R ₁₅ = 10 Ω	2W
C ₁₀ = 47 μ F	16 V		R ₁₆ = 10 Ω	2W
C ₁₁ = 10 nF	50 V		R ₁₇ = 10 Ω	2W
C ₁₂ = 5,6 pF	50 V	N750	R ₁₈ = 27 Ω	2W
C ₁₃ = 10 nF	50 V		R ₁₉ = 47 Ω	2W
C ₁₄ = 150 pF	50 V	N750	R ₂₀ = 100 Ω	2W
C ₁₅ = 56 pF	50 V	N750	R ₂₁ = 100 Ω	2W
C ₁₆ = 470 pF	50 V	N750	R ₂₂ = 68 Ω	2W
C ₁₇ = 10 nF	50 V		R ₂₃ = 10 Ω	½W
C ₁₈ = 10 nF	50 V		R ₂₄ = 10 Ω	½W
C ₁₉ = 470 μ F	16 V		R ₂₅ = 68 Ω	2W
C ₂₀ = 100 nF	50 V		R ₂₆ = 100 Ω	2W
C ₂₁ = 33 pF	50 V	N750	R ₂₇ = 68 Ω	2W
C ₂₂ = 120 pF	50 V	N750	R ₂₈ = 10 Ω	½W
C ₂₃ = 10 nF	50 V		R ₂₉ = 10 Ω	½W
C ₂₄ = 47 nF	50 V		R ₃₀ = 68 Ω	2W
C ₂₅ = 180 pF	500 V	N750	D ₁ = D ₂ = D ₃ = D ₄ = D ₅ = D ₆ = D ₇ =	1N4148
C ₂₆ = 220 + 270 pF	500 V	N750	D ₈ = D ₉ = D ₁₃ = D ₁₇ = D ₁₈ =	1N4004
C ₂₇ = 100 nF	50 V		D ₁₄ = D ₁₅ = D ₁₆ = D ₁₉ =	1N5400
C ₂₈ = 100 nF	50 V		D ₁₀ =	Led red
C ₂₉ = 180 pF	500 V	N750	D ₁₁ =	Led yellow
C ₃₀ = 47 nF	50 V		D ₁₂ =	Led green
C ₃₁ = 120 pF	50 V	N750	Tr ₁ = Tr ₂ = Tr ₅ =	BC 547
C ₃₂ = 10 nF	50 V		Tr ₃ =	BC 337
C ₃₃ = 47 nF	50 V		Tr ₄ =	BF 199
C ₃₄ = 180 pF	500 V	N750	Tr ₆ =	BD 179
C ₃₅ = 220 + 270 pF	500 V	N750	Tr ₇ = Tr ₈ = Tr ₉ = Tr ₁₀ =	MRF 455
C ₃₆ = 180 pF	500 V	N750	L ₁ = L ₂ = L ₃ = L ₄ =	2,2 μ H
C ₃₇ = 47 nF	50 V		L ₅ =	10 μ H
C ₃₈ = 10 nF	50 V		L ₆ = L ₉ =	VK 200 1 wire
C ₃₉ = 470 μ F	16 V		L ₇ = L ₈ = L ₁₀ = L ₁₁ =	VK 200 2 wires
C ₄₀ = 100 nF	50 V		Rl ₁ =	Relè 12 V 3022
C ₄₁ = 100 nF	50 V		Rl ₂ =	Relè 12 V 4052
C ₄₂ = 68 pF	500 V	N750	Fuse =	3x12 A
R ₁ = 2,2 K Ω	¼W		S ₁ =	Switch 3A (Pre ON - OFF)
R ₂ = 2,2 K Ω	¼W		S ₂ =	Switch 3A (ON - OFF)
R ₃ = 12 K Ω	¼W		S ₃ =	Switch 3A (AM - SSB)
R ₄ = 12 K Ω	¼W		S ₄ =	Switch 6 positions
R ₅ = 100 Ω	¼W		T ₁ = T ₂ = T ₄ =	Input transformers
R ₆ = 12 K Ω	¼W		T ₃ = T ₅ = T ₆ =	Output transformers