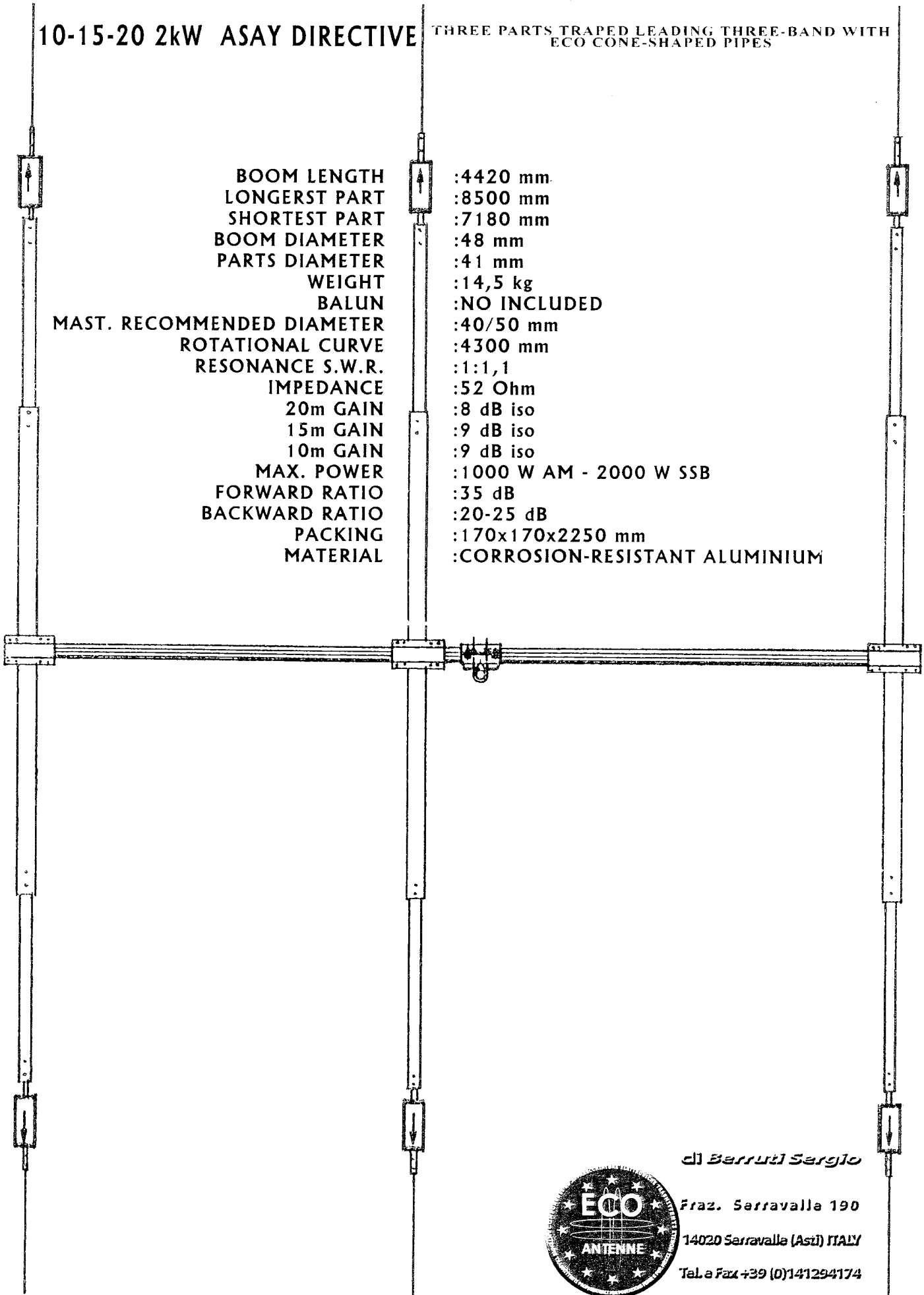


10-15-20 2kW ASAY DIRECTIVE

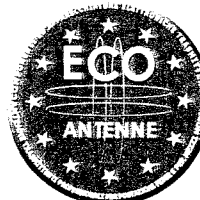
THREE PARTS TRAPED LEADING THREE-BAND WITH ECO CONE-SHAPED PIPES

BOOM LENGTH	:4420 mm
LONGERST PART	:8500 mm
SHORTEST PART	:7180 mm
BOOM DIAMETER	:48 mm
PARTS DIAMETER	:41 mm
WEIGHT	:14,5 kg
BALUN	:NO INCLUDED
MAST. RECOMMENDED DIAMETER	:40/50 mm
ROTATIONAL CURVE	:4300 mm
RESONANCE S.W.R.	:1:1,1
IMPEDANCE	:52 Ohm
20m GAIN	:8 dB iso
15m GAIN	:9 dB iso
10m GAIN	:9 dB iso
MAX. POWER	:1000 W AM - 2000 W SSB
FORWARD RATIO	:35 dB
BACKWARD RATIO	:20-25 dB
PACKING	:170x170x2250 mm
MATERIAL	:CORROSION-RESISTANT ALUMINIUM



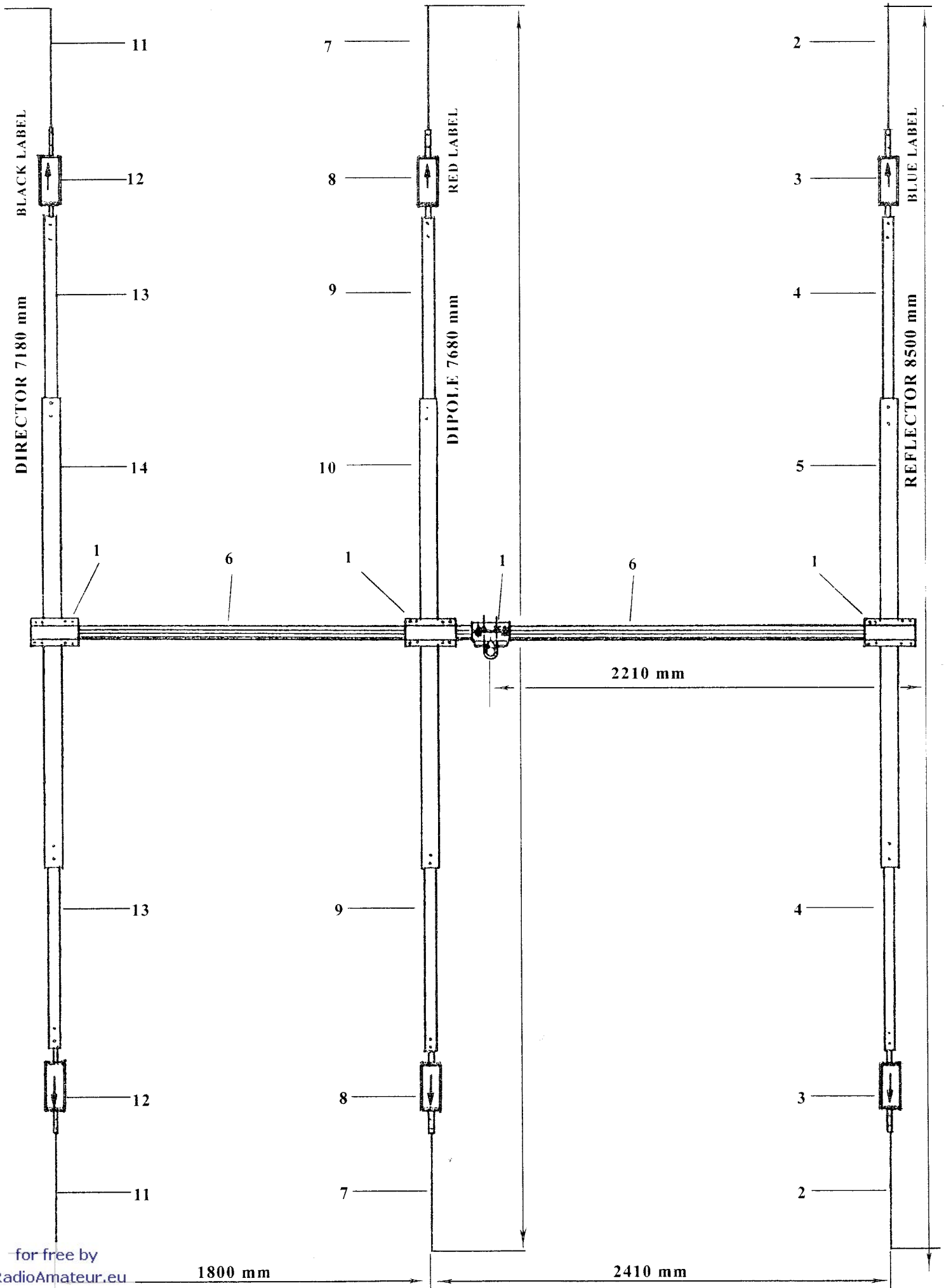
impaginazione e grafica a cura della MICRODATA tel. 1780080404 Italy

di Berruti Sergio

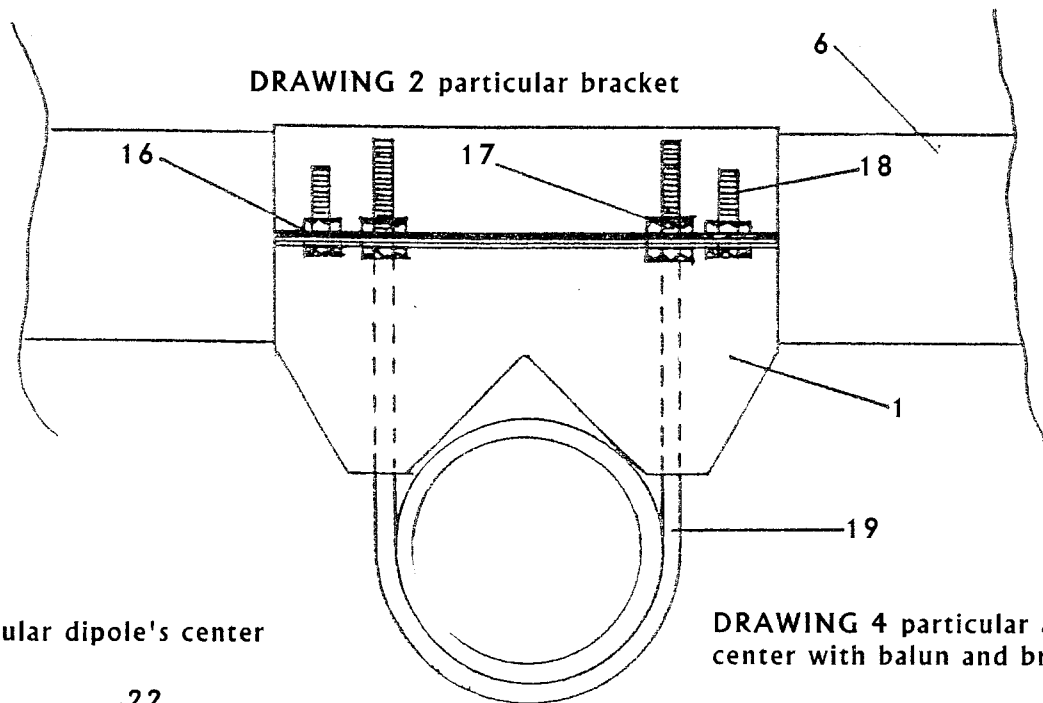


Fraz. Serravalle 190
 14020 Serravalle (Asti) ITALY
 Tel. e Fax +39 (0)141294174

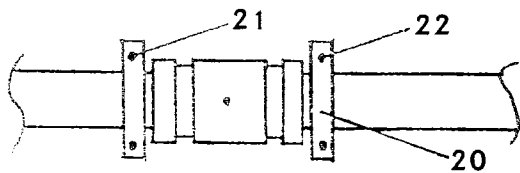
<http://www.ecoantenne.it> e-mail: info@ecoantenne.it



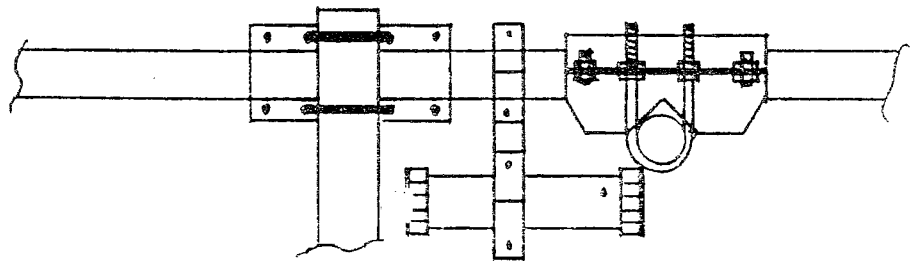
N.3 10-15-20 2kW DIRECTIVE



DRAWING 3 particular dipole's center



DRAWING 4 particular antenna's center with balun and brackets



LIST OF SPARE PARTS AND ASAY 2kW INSTALLATION	QUANTITY	Length (mm)
N.1 SUPPORT BRACKET FOR ANTENNA AND BOOM PARTS	4	200
N.2 CAPS IN Ø 16 mm PIPE FOR THE REFLECTOR	2	995
N.3 TRAPS FOR BLUE REFLECTOR	2	555
N.4 INTERMEDIATE CONE-SHAPED PIPE FOR THE REFLECTOR Ø 28 mm.	2	2000
N.5 CENTRAL CONE-SHAPED PIPE FOR THE REFLECTOR Ø 41 mm	1	1990
N.6 BOOM PIPE Ø 48	2	2210
N.7 Ø 16 CAPS MM FOR THE DIPOLE	2	860
N.8 CAPS FOR THE RED DIPOLE	2	555
N.9 INTERMEDIATE CONE-SHAPED Ø 28 mm PIPE FOR THE DIPOLE	2	1730
N.10 CENTRAL CONE-SHAPED Ø41 mm FOR THE DIPOLE	1	1990
N.11 Ø 16 mm CAPS FOR THE DIRECTOR	2	835
N.12 CAPS FOR THE BLACK DIRECTOR	2	555
N.13 INTERMEDIATE CONE-SHAPED Ø 28 mm PIPE	2	1510
N.14 CENTRAL CONE-SHAPED Ø 41 mm PIPE FOR THE DIRECTOR	1	1990
N.15 4,5X9,7 PARKER SCREWS FOR ASSEMBLY OF PARTS	36	---
N.16 GROVER FOR Ø 28 mm WASHERS	32	---
N.17 NUTS FOR BRACKETS 8 MA	32	---
N.18 BOLTS 8X15 FOR BRACKETS	16	---
N.19 Ø8 U BOLTS 65mm INTER-AXIS	8	---
N.20 ALUMINIUM U BOLTS FOR DIPOLE WIRE CONNECTION	4	---
N.21 5X20 BRASS SCREWS FOR ALUMINIUM U BOLTS	4	---
N.22 4 MA BRASS NUTS FOR ALUMINIUM U BOLTS	4	---

ASAY 2KV DIRECTIVE ART. 78

INSTALLATION INSTRUCTIONS

- 1) Connect both the pieces of the N. 6 boom, of 2210 mm length and 48 mm diameter by means of the bracket with N. 1 bolts passing (boom connection bracket and antenna erection on the support tower).
- 2) Install the three other N. 1 brackets and position as by dimensions of N. 1 drawing.
- 3) Install the three central N. 5 – 10 – 14 pipes of 1990 mm length and $\varnothing 41$ mm.
- 4) Install both the intermediate pipes of the N. 4 reflector, 2000 mm long and $\varnothing 28$ mm.
- 5) Install both the intermediate pipes of the N. 13 director, 1510 mm long and $\varnothing 28$ mm.
- 6) Install both the intermediate pipes of the N. 9 dipole, 1730 mm long and $\varnothing 28$ mm.
- 7) Install both the traps of the N. 3 reflector with a blue label, taking care to position the trap with the arrow outwards.
- 8) Install the traps of the N. 12 black director.
- 9) Install the traps of the N. 8 red dipole.
- 10) Install both the caps of the N. 2 reflector, 995 mm long and $\varnothing 16$ mm.
- 11) Install both the caps of the N. 11 director, 835 mm long and $\varnothing 16$ mm.
- 12) Install both the caps of the N. 7 dipole, 860 mm long and $\varnothing 16$ mm.
- 13) Fix both the N. 20 aluminium brackets in the dipole center (see drawing).
- 14) The feeding cable must be connected to the N. 21 and 22 screws of both the N. 20 (drawing N. 3) and the connections shall be the shortest possible.
- 15) For the use of the balun, see drawing N.4.
- 16) The balun outlet connections to the dipole's terminals must be with single-pole copper wire and the shortest possible.
- 17) Use RG8U or RG21 3 cables.
- 18) Tie the junctions of pipes with proper PVC tape.
- 19) Take care that air bores of traps are installed downwards in order to avoid water deposition.
- 20) In the feeding down-cable, immediately under the antenna's dipole, it is convenient to make 5 to 7 coaxial cable windings with approx. 100 mm diameter and tightly tied to each other.
- 21) The recommended cable length is m 18,20 - 30 - 42,50 - 54,50- 67.
- 22) If the antenna is properly erected, adjustments are not required.
- 23) If in some bands S.W.R. value is high, adjust the feeding cable length to attain a S.W.R. low value in all bands.

