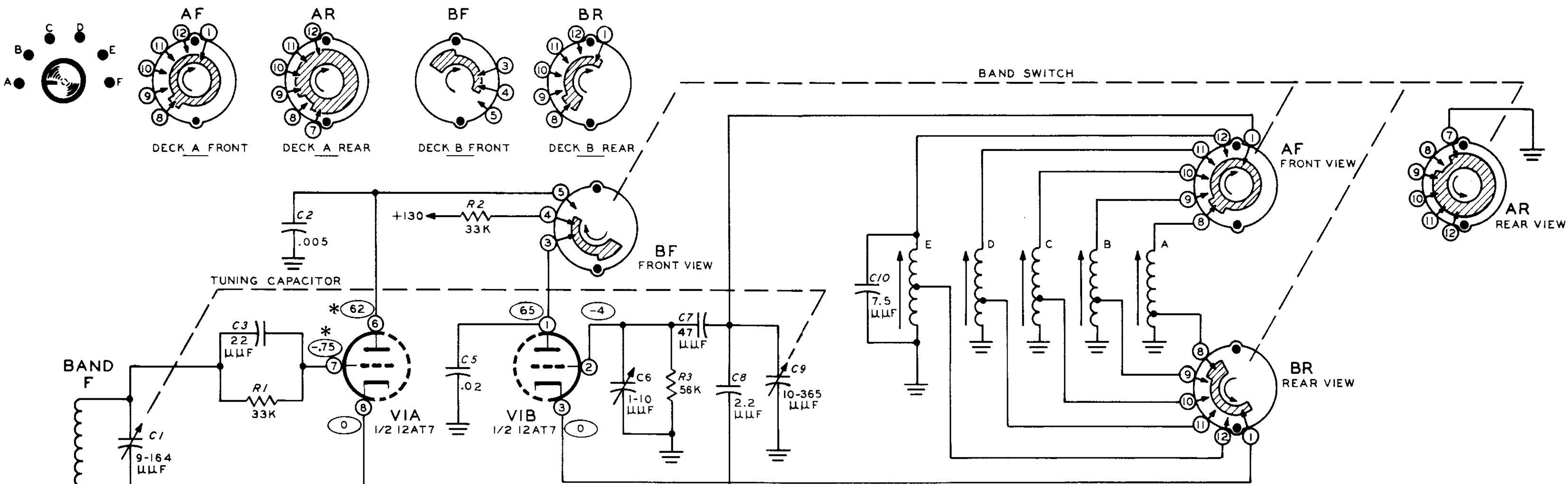


**\*\*BAND SWITCH S2**



**SCHEMATIC OF THE  
HEATHKIT®  
RF SIGNAL GENERATOR  
MODEL IG-102**

- NOTES:**
- ALL RESISTORS ARE 1/2 WATT UNLESS MARKED OTHERWISE.
  - ALL RESISTOR VALUES ARE IN OHMS (K = 1000).
  - ALL CAPACITOR VALUES ARE IN  $\mu$ FD UNLESS MARKED OTHERWISE.
  - INDICATES VOLTAGE READING.
  - ALL VOLTAGES ARE DC POSITIVE UNLESS MARKED OTHERWISE.
  - ALL VOLTAGES ARE MEASURED FROM POINT INDICATED TO CHASSIS GROUND, EXCEPT AC VOLTAGES ON POWER TRANSFORMER WINDINGS.
  - VOLTAGE READINGS TAKEN WITH AN 11 MEGOHM INPUT VTVM. VOLTAGES MAY VARY  $\pm 10\%$ .
  - ALL SWITCHES SHOWN AT FULL COUNTERCLOCKWISE ROTATION, EXCEPT SWITCH S3 WHICH IS AT FULL CLOCKWISE ROTATION.
  - TUNING CAPACITOR CLOSED.
  - SWITCH LUGS WITH THE SAME NUMBERS ON DECKS AR AND AF ARE CONNECTED TOGETHER (12 TO 12, 11 TO 11, ETC.).
  - \* VOLTAGE MEASURED WITH BAND SWITCH S2 AT BAND F.
  - \*\* ALL SECTIONS SHOWN HERE ARE VIEWED FROM THE FRONT PANEL: SWITCH SHOWN IN BAND A POSITION.