

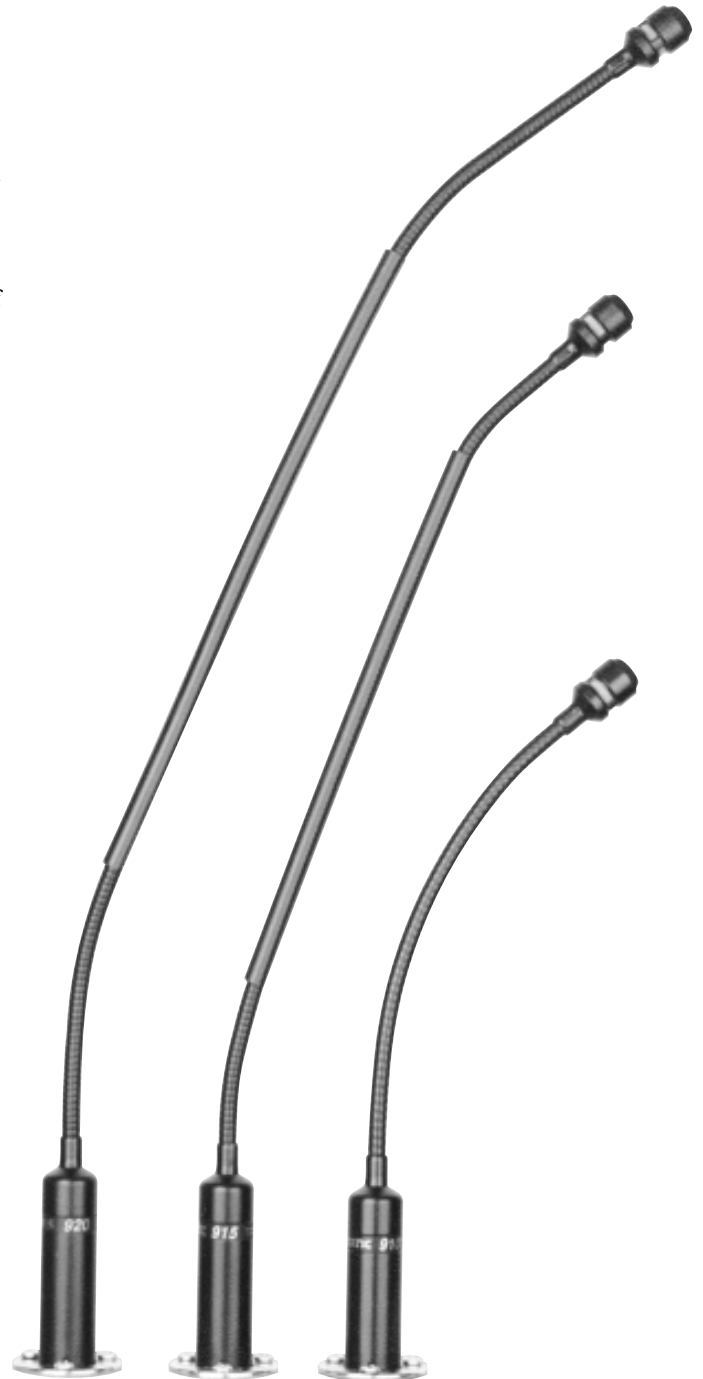
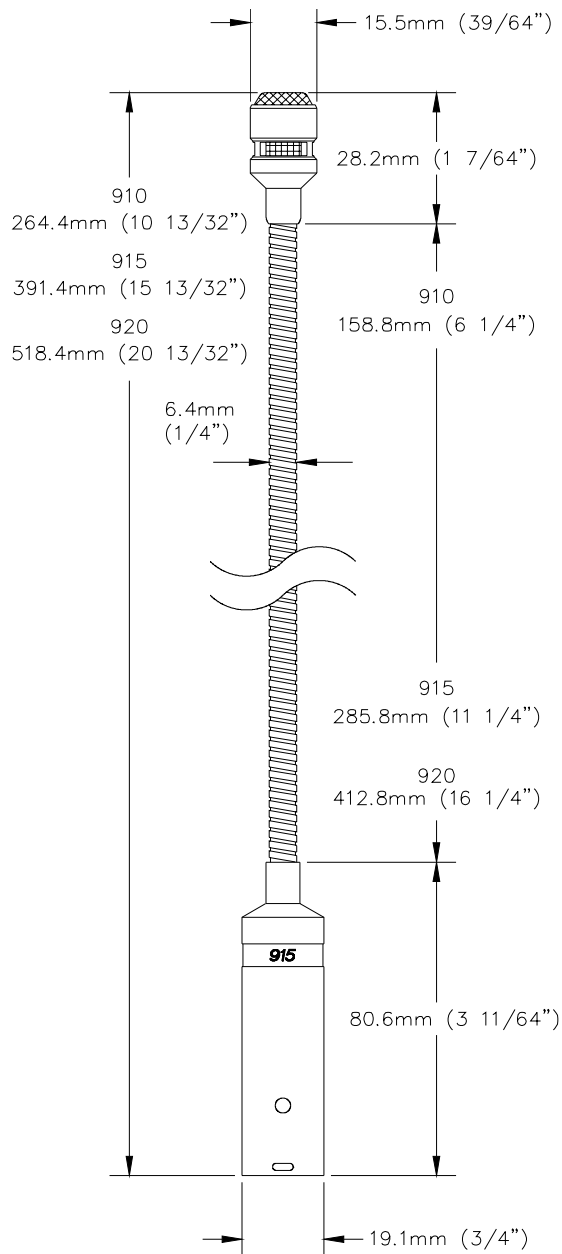
ASTATIC

910 / 915 / 920 ELECTRET CONDENSER CARDIOID MINI-GOOSENECK MICROPHONE

Description

The **ASTATIC 910, 915** and the **920** are superior low noise, electret condenser cardioid mini-gooseneck microphones.

The **910, 915** and the **920** microphones have a wide, flat frequency response which provides unsurpassed, natural, transparent sound quality, and warm sound when used close to the sound source. Their cardioid pickup pattern minimizes annoying feedback when used close to sound reinforcement speakers and monitors, while reducing the pickup of unwanted off axis sounds. The **910, 915** and the **920** microphones differ only in overall length. The approximate overall length of the **910** is 10 inches, the **915** is 15 inches in length and the **920** is 20 inches in length. The **915** and **920** include a snap-on gooseneck stiffener.



ASTATIC Quality

All **910, 915** and **920** microphones are audio tested and inspected prior to shipment. Our absolute commitment to quality insures that **ASTATIC** microphones remain the **Best Value** in today's competitive industry.

Operation and Maintenance

The **ASTATIC 910, 915** and **920** are some of the finest values in gooseneck microphones available.

If the mike housing becomes soiled by dirt or residue it may be cleaned using a cloth dampened with isopropyl alcohol.

Made with pride in Conneaut, Ohio U.S.A.

SPECIFICATIONS FOR 910 / 915 / 920



Specifications

Generating Element:

Electret Condenser (Phantom Powered)

Polar Pattern:

Unidirectional (Cardioid)

Frequency Response:

40 Hz - 20 kHz

Output Level:

Power Level:

-46 dB (0 dB - 1 mW per 10 microbars)

Open Circuit Voltage:

-68 dB (0 dB = 1 volt per microbar)

4 mV/Pascal

Impedance:

Low (150 ohms nominal)

Dynamic Range:

100 dB

Equivalent Noise Level:

Less than 30 dB, A weighted

Maximum SPL:

130 dB (1% THD, open circuit)

Powering:

Supply Voltage:

9 - 52 Vdc, positive pins 2 & 3 reverse polarity protected

Current Required:

Less than 2.0 mA over operating voltage range

Phasing:

Positive Pressure on Diaphragm generates a positive voltage on pin 2 relative to pin 3

Finish:

Durable textured urethane black

NET Weight:

910 - 95 grams (3.4 oz.)

915 - 120 grams (4.2 oz.)

920 - 142 grams (5.0 oz.)

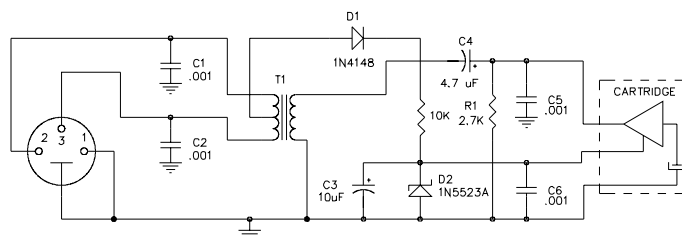
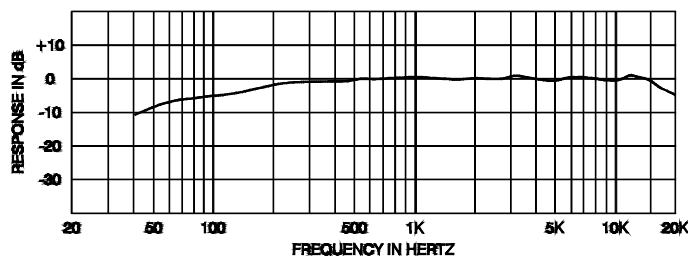
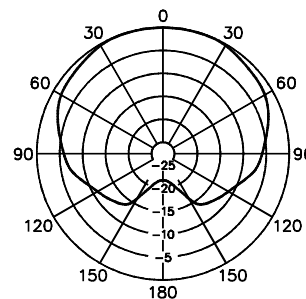
Architects' and Engineers' Specification

The microphone shall be a mini-gooseneck electret type. The frequency response will be 40-20 kHz. The microphone shall have a cardioid polar pattern.

The output level of the microphone shall be 4 mV/Pa. The microphone will have a professional 3 pin male XLR connector which also contains the microphones' electronic circuitry. The microphone will operate from standard phantom power at any voltage from 9 to 52 volts DC with a current consumption of less than 2 mA.

The dimensions of the microphone shall be 15.5mm (39/64") in diameter for the head, and 19mm (3/4") in diameter for the connector. The gooseneck shall be 6.4mm (1/4") in diameter and shall include a snap-on gooseneck stiffener so a straight appearance will be maintained in the middle of the gooseneck. The overall length will be 266.7mm (10 1/2") for the **910**, 393.7mm (15 1/2") for the **915** and 520.7mm (20 1/2") for the **920**. The weight shall be 95 grams (3.4 oz.) for the **910**, 120 grams (4.2 oz.) for the **915**, and 145 grams (5.1 oz.) for the **920**. The **910**, **915** and **920** will have a durable black urethane finish. A foam windscreen will be supplied as an accessory.

The **ASTATIC** Model **910**, **915** or **920** is specified.



User Techniques and Applications

The low frequency response of the **910**, **915** and **920** may be enhanced by increasing or decreasing the distance from the sound source. This phenomena is technically known as "proximity effect". Nominal or "flat" response is generated at a distance of 24 inches or more. However, as the distance to the sound source decreases, the bass sensitivity increases, providing a solid, robust character.

Downloaded by

Amateur Radio Directory

www.hamdirectory.info

TWO-YEAR LIMITED WARRANTY

CTI Audio, Inc. ("ASTATIC") hereby warrants that this product will be free of defects in material and workmanship for a period of two years from the date of purchase. In the unlikely event a defect occurs ASTATIC will, at its option, either repair or replace with a new unit of equal or greater value. You should retain proof of purchase to validate the purchase date and return it with any warranty claim. Return warranty claims carefully packed, insured and prepaid to the Service Department at the address listed below.

This warranty excludes exterior finish or appearance, damage from abuse, misuse of the product, use contrary to ASTATIC's instructions or unauthorized repair. All implied warranties or merchantability or fitness for a particular purpose are hereby disclaimed and ASTATIC hereby disclaims liability for incidental, special or consequential damages resulting from the use or unavailability of this product.

This warranty gives you specific legal rights and you may also have other rights which vary from state to state. Some states do not allow the exclusion or limitation of incidental or consequential damages or limitations on how long an implied warranty lasts, so the above exclusions and limitations may not apply to you.

Note: No other warranty, written or oral is authorized by CTI Audio, Inc.