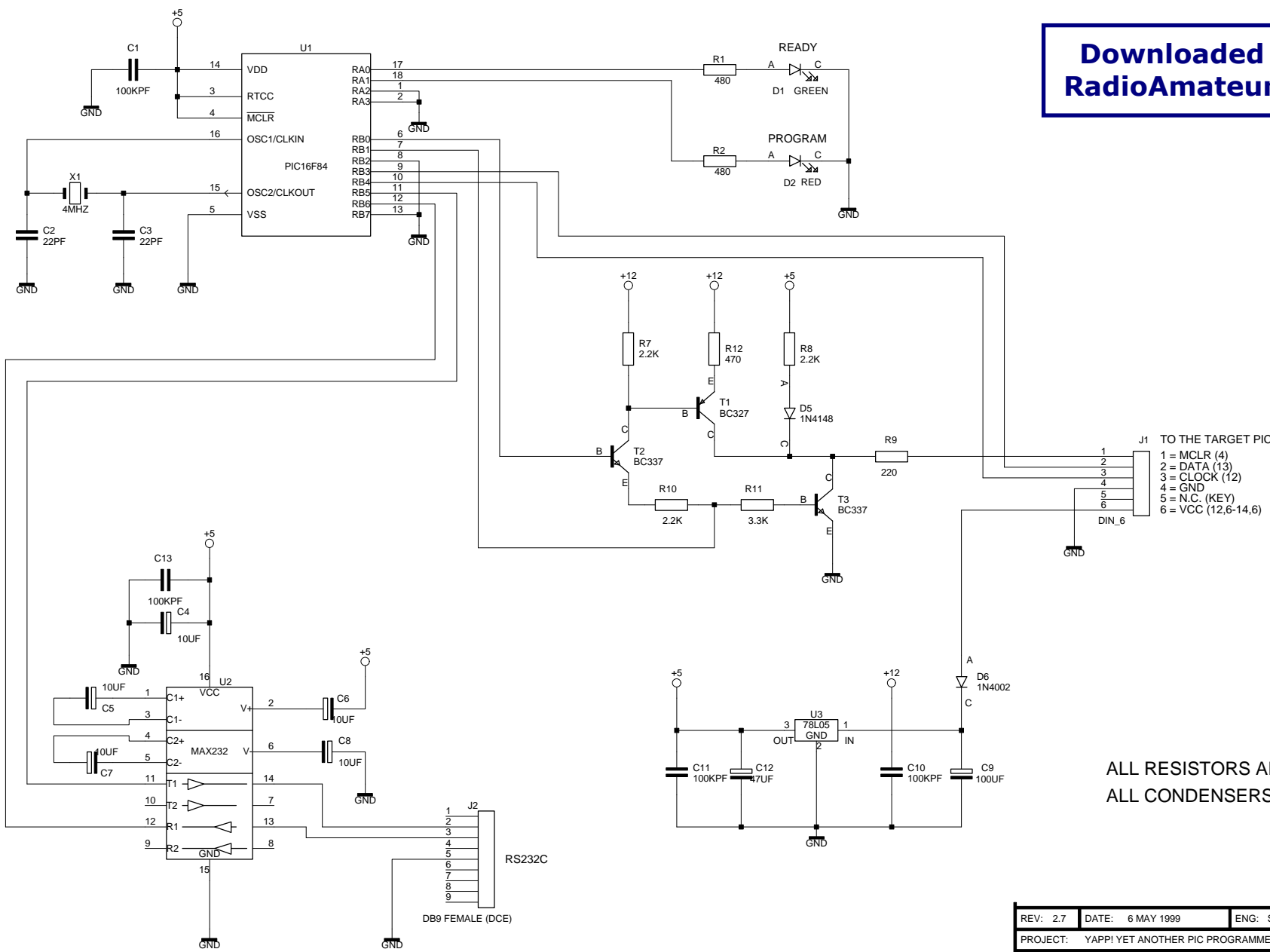


Downloaded by  RadioAmateur.EU



ALL RESISTORS ARE .25W  
ALL CONDENSERS ARE 25V

REV: 2.7	DATE: 6 MAY 1999	ENG: S. TANZILLI - T. GALIZIA
PROJECT: YAPPI YET ANOTHER PIC PROGRAMMER		
COMPANY: PICPOINT		
ADDRESS: HTTP://WWW.PICPOINT.COM		
CITY		
COUNTRY: ITALY		
INITIAL	02 SEP 1998	PAGE: 1 OF: 1