

## Fast Tune-up from 1.8 to 50 MHz Band Remote Control with Icom Transceivers

### Wide Frequency Coverage

With a 7 m (23 ft) or longer wire element, all band matching is possible from the 1.8 MHz (160 m) band to the 50 MHz (6 m) band. Efficient for multi-band operation.

\* A ground connection is required.

### Minimum RF Output for Tuning

The AH-730 emits only 0.3 W of RF output from the antenna during tuning operation. The low power minimizes the risk of interference to other stations while matching the antenna.

### High Speed Tuning

The automatic tuning operation can be made at a high speed of about 2 to 3 seconds. It has 45 memories to store the minimum SWR settings. When re-tuning the same frequency, matching can be achieved in about 1 second.

### IPX4 Water Resistant

The tuner case uses a high-strength resin which protects internal parts from water, weather, and salt damage. The tuner is tested to IPX4 water splash protection. In addition, the coaxial cable and control cable can be easily connected without opening the case.



**SPECIFICATIONS**

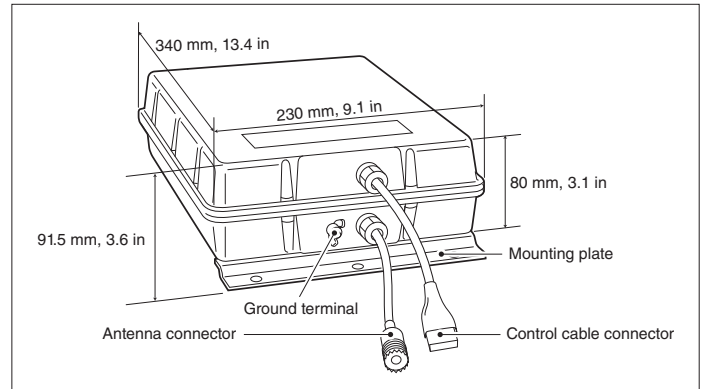
Tunable frequency range	1.8–54 MHz (with a 7 m, 23 ft or longer antenna element)
Maximum input power	150 W (PEP) 100 W (Continuous)
Input impedance	50 Ω (SO-239)
Power requirement for tuning	5–15 W (10 W rated)
Tuning time (Approximate)	Average: 2–3 seconds Maximum: 15 seconds
Tuning accuracy	VSWR 2.0:1 or less (except 1/2 of antenna length and its multiples)
Number of tuned memories	45 memories
Power supply requirements	13.8 V DC ±15% (supplied from transceiver)
Current drain	Less than 0.7 A
Operating temperature range	–10°C to +60°C; +14°F to +140°F
Dimensions (W × H × D) (projections not included)	230 × 80 × 340 mm, 9.1 × 3.1 × 13.4 in
Weight (approximate)	2.5 kg, 5.5 lb
Compatible antennas	Long wire and vertical whip antennas

All stated specifications are subject to change without notice or obligation.

**Applicable IP Rating**

Ingress Protection Standard	
IP rating	IPX4 (Water resistant)

**DIMENSIONS**



**OPTIONAL ACCESSORIES**

**OPC-1465**

Shielded Control Cable (10 m, 32.8 ft)  
Same as supplied with the AH-730.



**Supplied Accessories**

- Control cable (10 m, 32.8 ft)
- Mounting kit (U-bolts and plates)
- Weatherproof cap

**COMPATIBLE TRANSCEIVERS** (as of Jan 2022)



**IC-7610**



**IC-7300**



**IC-7100**



**IC-718**



**IC-78**

Icom, Icom Inc. and the Icom logo are registered trademarks of Icom Incorporated (Japan) in Japan, the United States, the United Kingdom, Germany, France, Spain, Russia, Australia, New Zealand and/or other countries.

**Icom Inc.**

1-1-32, Kamiminami, Hirano-Ku, Osaka 547-0003, Japan Phone: +81 (06) 6793 5302 Fax: +81 (06) 6793 0013

[www.icomjapan.com](http://www.icomjapan.com)

**Icom America Inc.**  
[www.icomamerica.com](http://www.icomamerica.com)

**Icom (Europe) GmbH**  
[www.icomeurope.com](http://www.icomeurope.com)

**Icom (Australia) Pty. Ltd.**  
[www.icom.net.au](http://www.icom.net.au)

Your local distributor/dealer:

**Icom Canada**  
[www.icomcanada.com](http://www.icomcanada.com)

**Icom Spain S.L.**  
[www.icomspain.com](http://www.icomspain.com)

**Shanghai Icom Ltd.**  
[www.bjicom.com](http://www.bjicom.com)

**Icom Brazil**  
E-mail: [sales@icombrasil.com](mailto:sales@icombrasil.com)

**Icom (UK) Ltd.**  
[www.icomuk.co.uk](http://www.icomuk.co.uk)

**Icom France s.a.s.**  
[www.icom-france.com](http://www.icom-france.com)