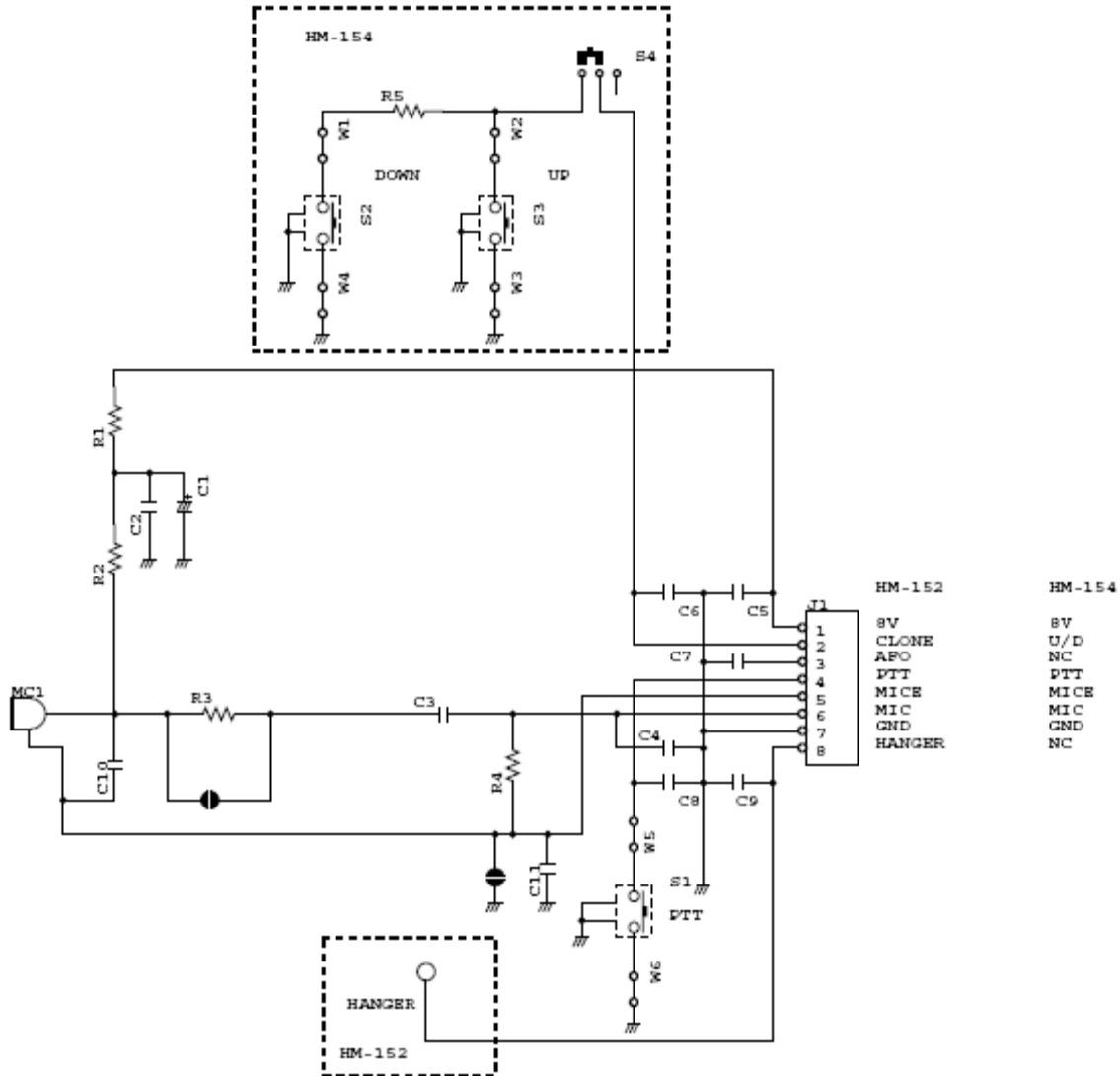
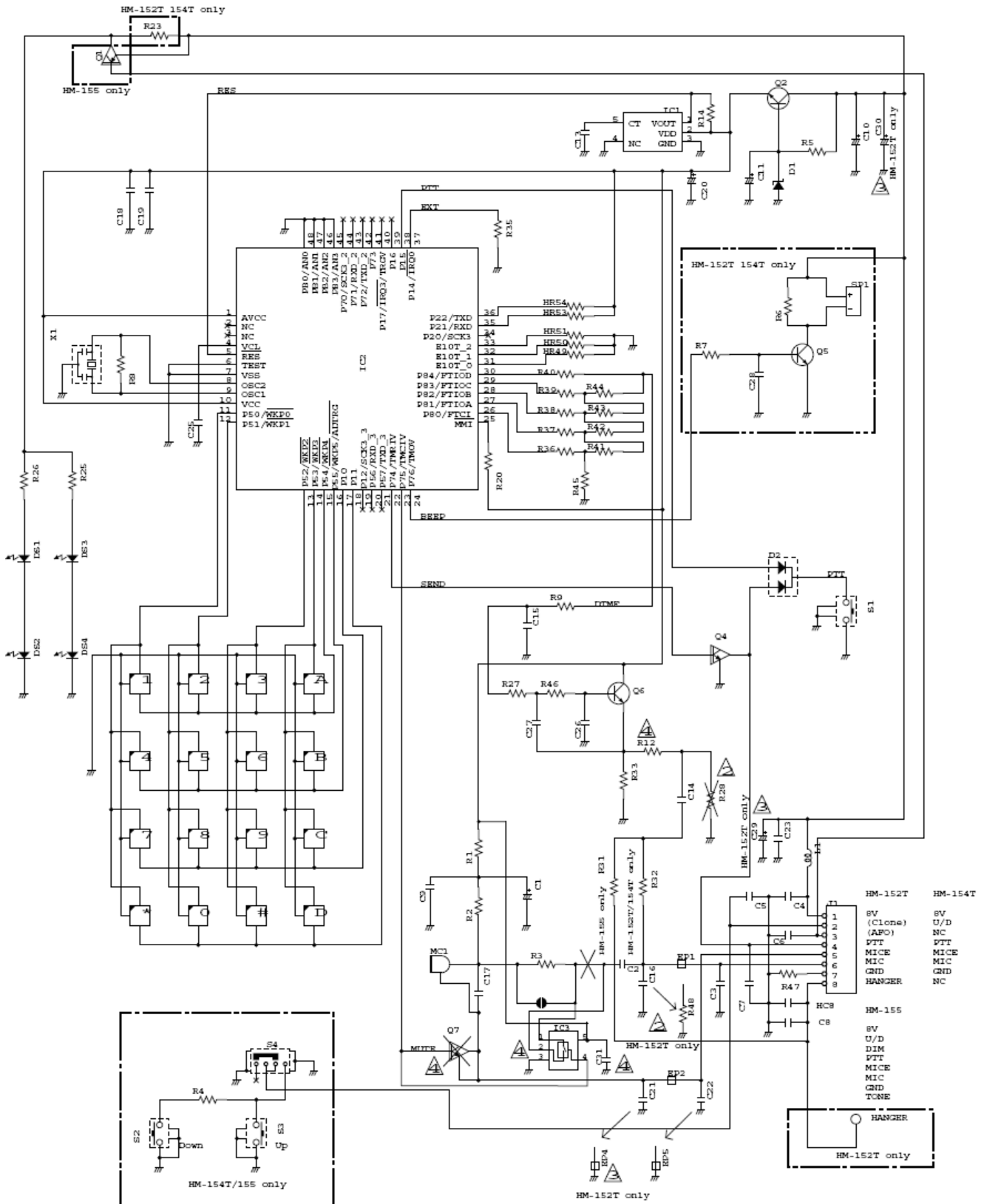
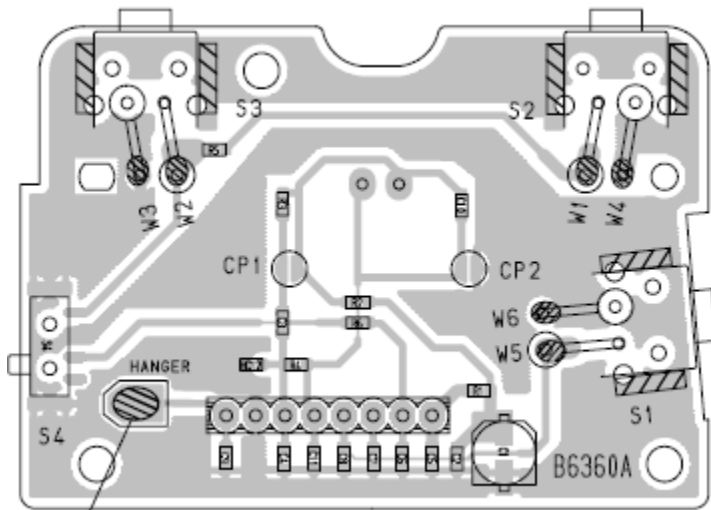


HM-161 Schematic and Board Layout







W2 (CHASSIS)

