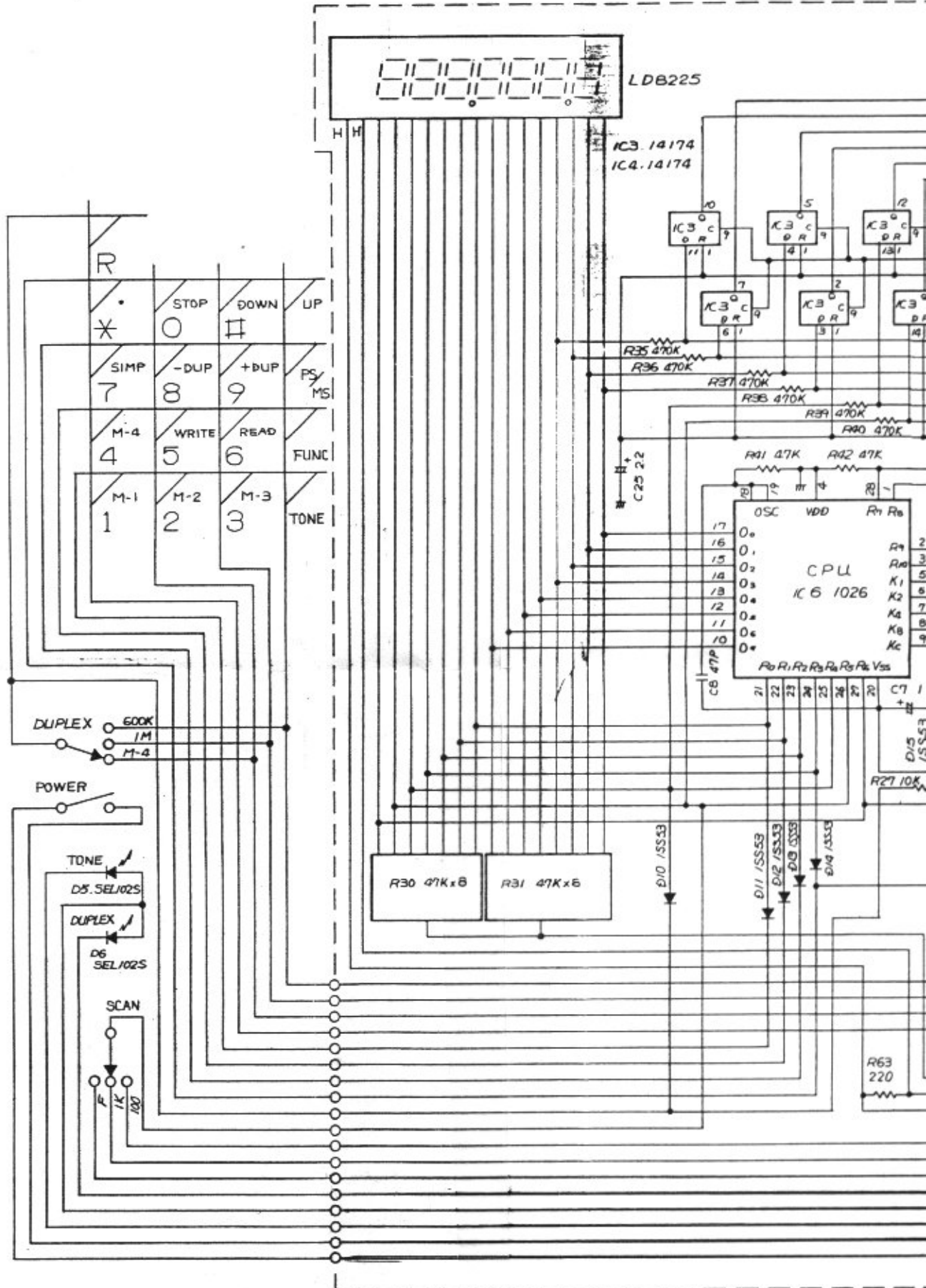
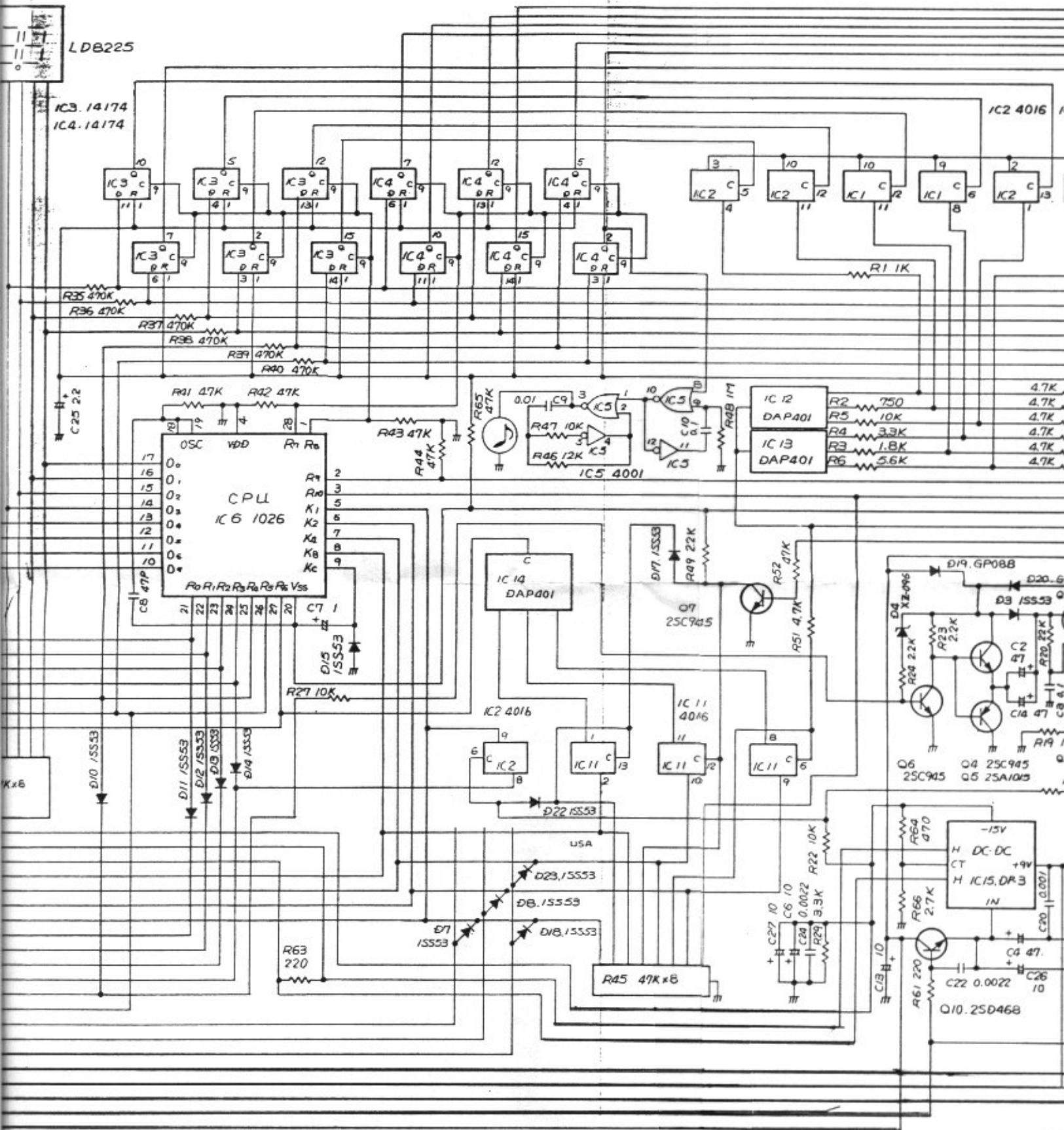
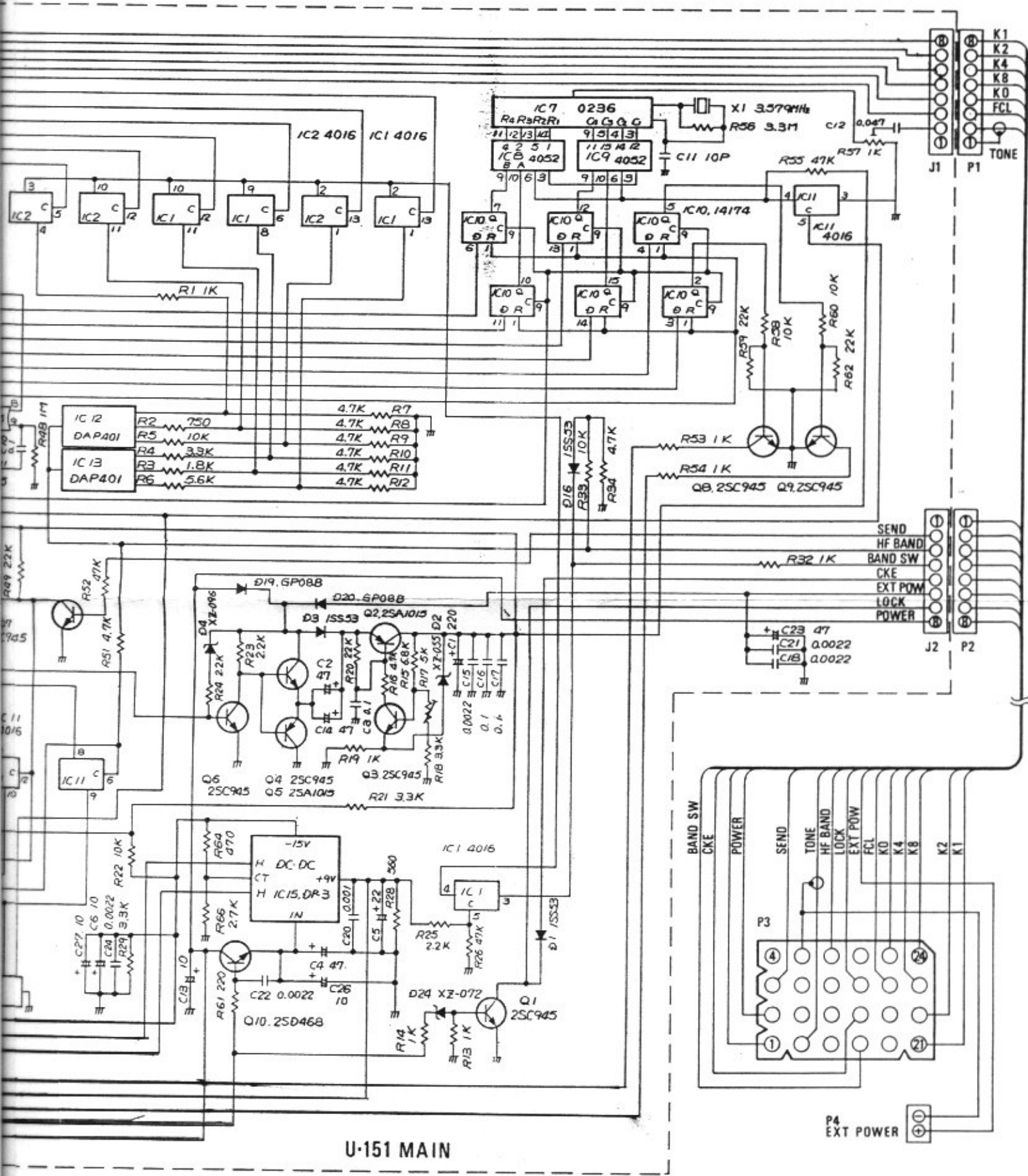


IC-RM2 SCHEMATIC DIAGRAM



DIAGRAM





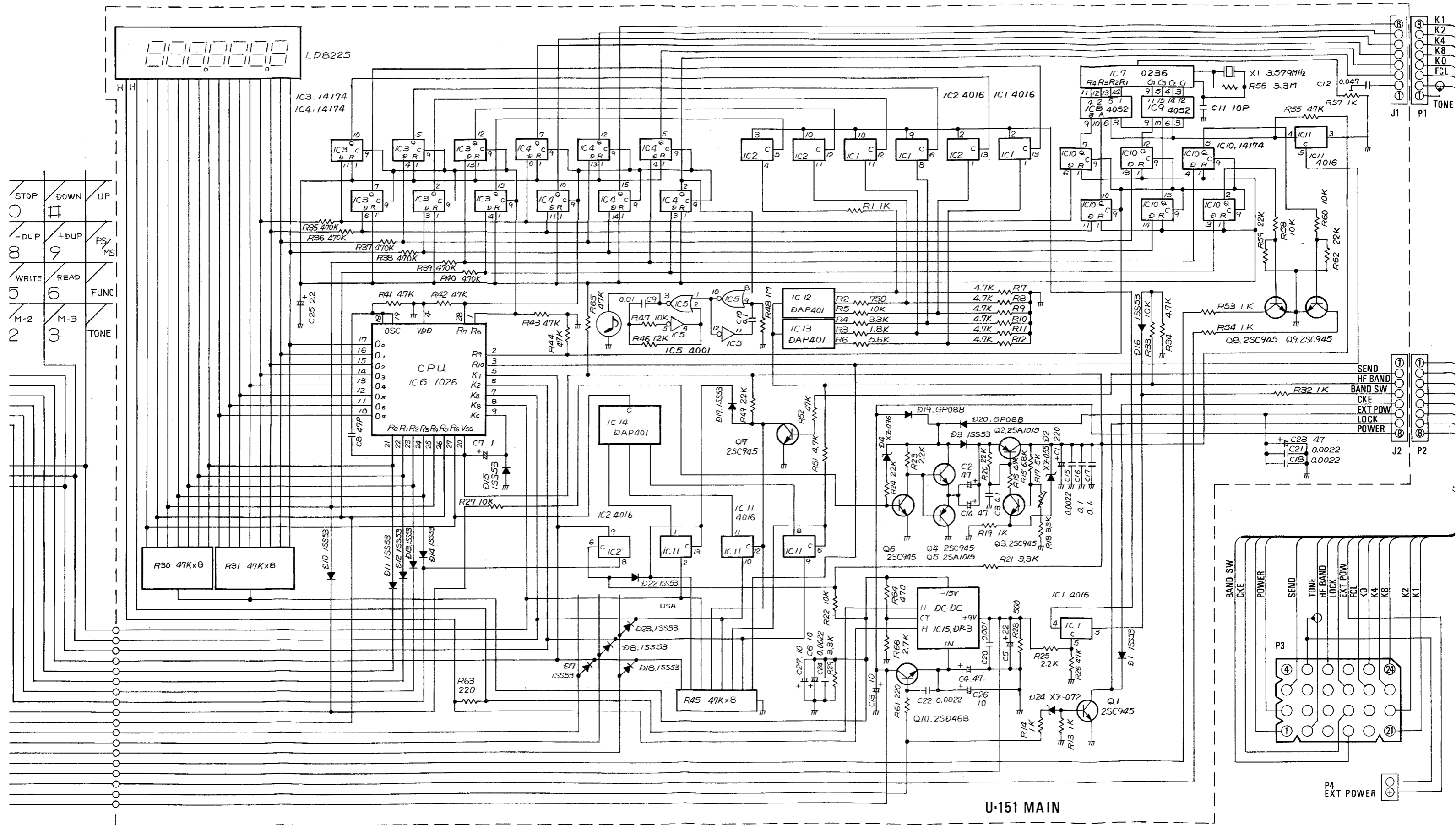
U-151 MAIN

OM INCORPORATED

Some components subject to change for an improvement without notice.

A-0094

RM2 SCHEMATIC DIAGRAM



U-151 MAIN