
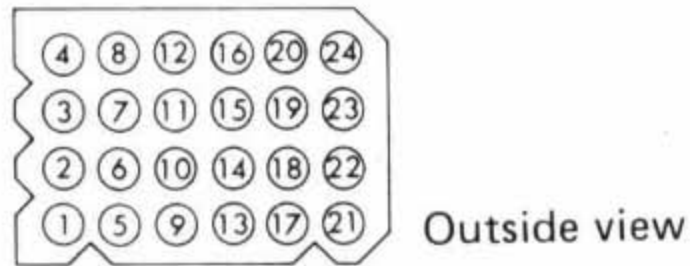


ACC(2)	PIN NO.	NAME	DESCRIPTION	SPECIFICATIONS
 <p>Rear panel view</p>	1	8 V	Regulated 8 V output.	Output voltage : 8 V \pm 0.3 V Output current : Less than 10 mA
	2	GND		Same as ACC(1) pin 2.
	3	HSEND		Same as ACC(1) pin 3.
	4	BAND	Band voltage output. (Varies with amateur band)	Output voltage : 0 to 8.0 V
	5	ALC		Same as ACC(1) pin 8.
	6	VSEND	Input/output pin (144 MHz only) Goes to ground when transmitting. When grounded, transmits.	Ground level : -0.5 V to 0.8 V Output current : Less than 20 mA
	7	13.8 V		Same as ACC(1) pin 7.



PIN No.	FUNCTION
1. ~ 2.	NC (no connection).
3.	Connected to transmit switch circuit. When grounded, the set operates in the transmit mode.
4. ~ 6.	NC.
7.	Output for external ALC voltage.
8.	Ground.
9. ~ 11.	NC.
12.	Input for band switching control reference voltage (8V).
13.	Input for band switching control voltage.
14. ~ 24.	NC.

