

ICOM

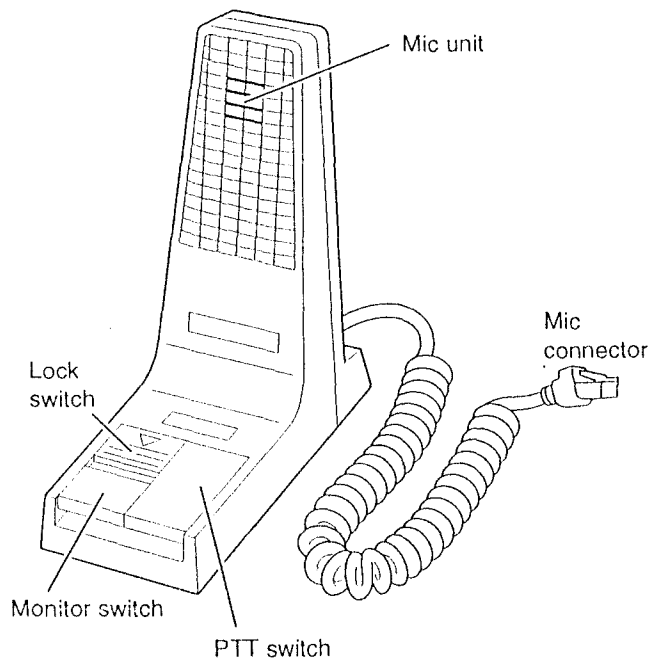
INSTRUCTIONS

DESKTOP MICROPHONE SM-25

Thank you for purchasing Icom's **SM-25 DESKTOP MICROPHONE**. This microphone is designed for use with the IC-F300/S, IC-F1000 and IC-F1600 series transceivers.

Please read these instructions thoroughly before operating the SM-25.

FEATURES



- Large, easy-to-use switches for PTT and monitor functions (the monitor switch can be locked)
- Icom 8-pin modular cable supplied
- The monitor switch can be used to activate the hanger function (monitor switch is connected to the Mic-hanger line).
- You can assign the monitor switch function to "monitor," "scan" or "Priority A."

SETUP

To use the [MONITOR] switch for the monitor function, the transceiver must be programmed using the appropriate cloning software: in the *Key and Display* screen, set the *Hanger Action Moni* item to ON.

SPECIFICATIONS

Type	: Unidirectional dynamic microphone (preamplifier built-in)
Output impedance	: 500 Ω \pm 30% (at 1 kHz)
Sensitivity	: -47.4 dB \pm 4 dB (at 1 kHz, 0 dB=1 V/ μ bar)
Power requirements	: +8 V DC (supplied from the radio)
Dimensions	: 70(W) \times 162(H) \times 150(D) mm; 2 ³ / ₄ (W) \times 6 ³ / ₈ (H) \times 5 ²⁹ / ₃₂ (D) in
Weight	: 380 g; 7/8 lbs

Icom Inc.

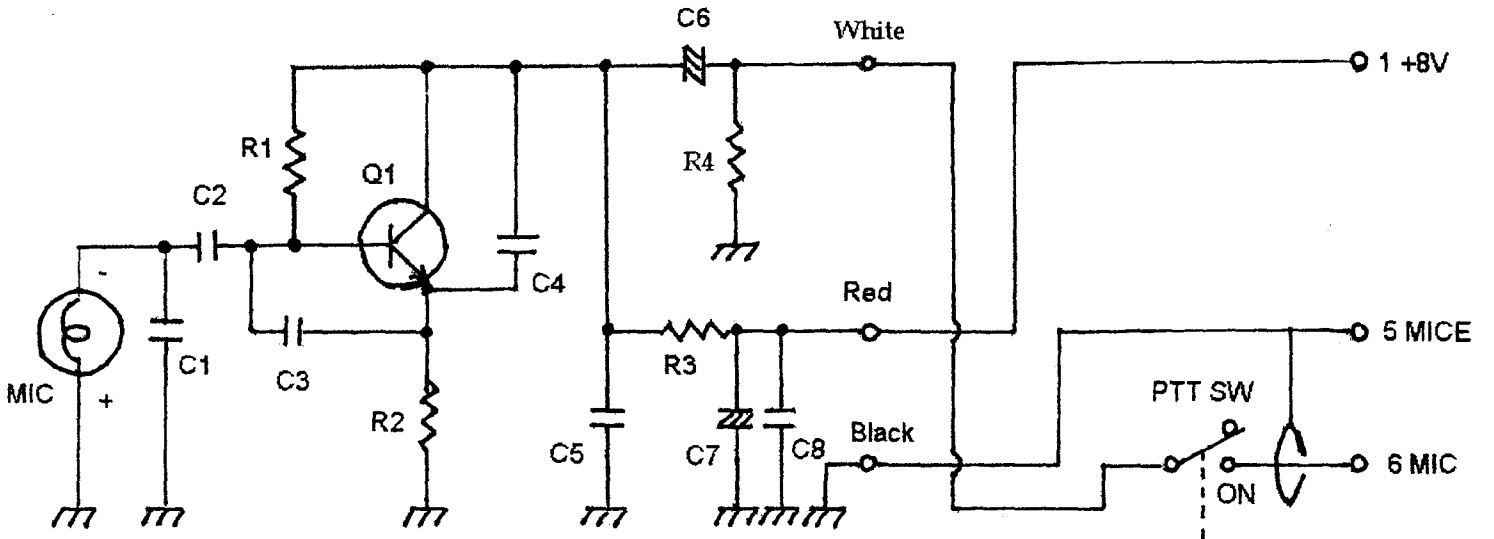
6-9-16 Kamihigashi, Hirano-ku, Osaka 547-0002 Japan

Count on us!

A-8325X-1EX Printed in Japan

SM-25 Schematic Diagram

MASTER
Do Not Remove
From Tech Support Area

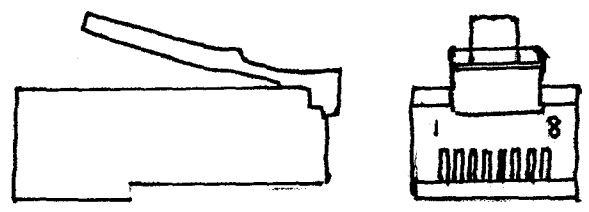
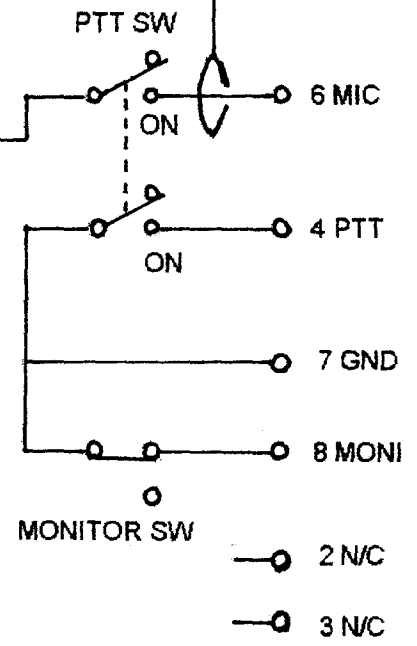


Q1 2SC2458L(Y)

- R1 68K
- R2 100
- R3 680
- R4 10K

- C1 0.001uF
- C2 0.15uF
- C3 470pF
- C4 0.001uF
- C5 0.1uF
- C6 1uF 16V
- C7 47uF 10V
- C8 0.01uF

MIC DM-66



MASTER
Do Not Remove
From Tech Support Area