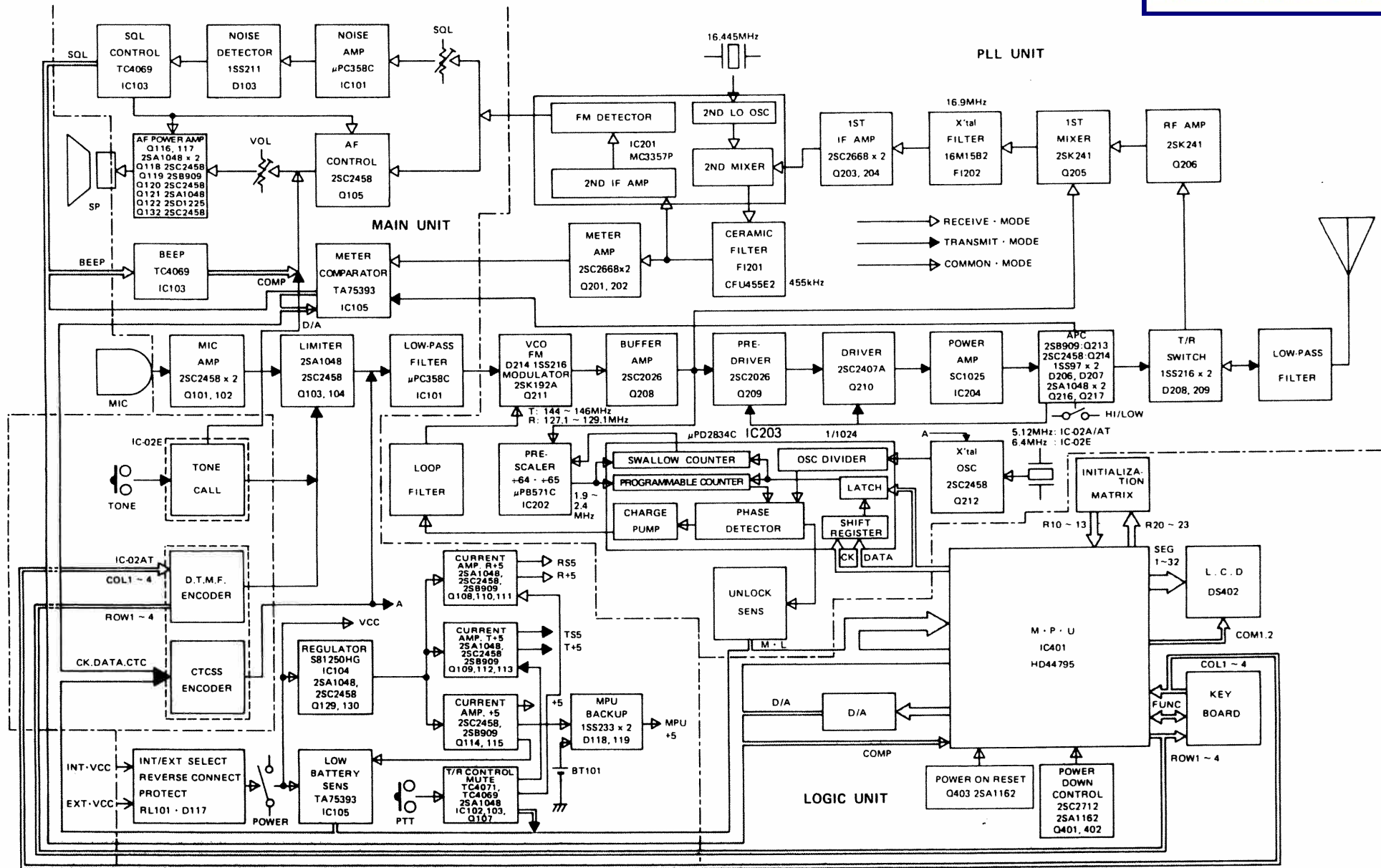
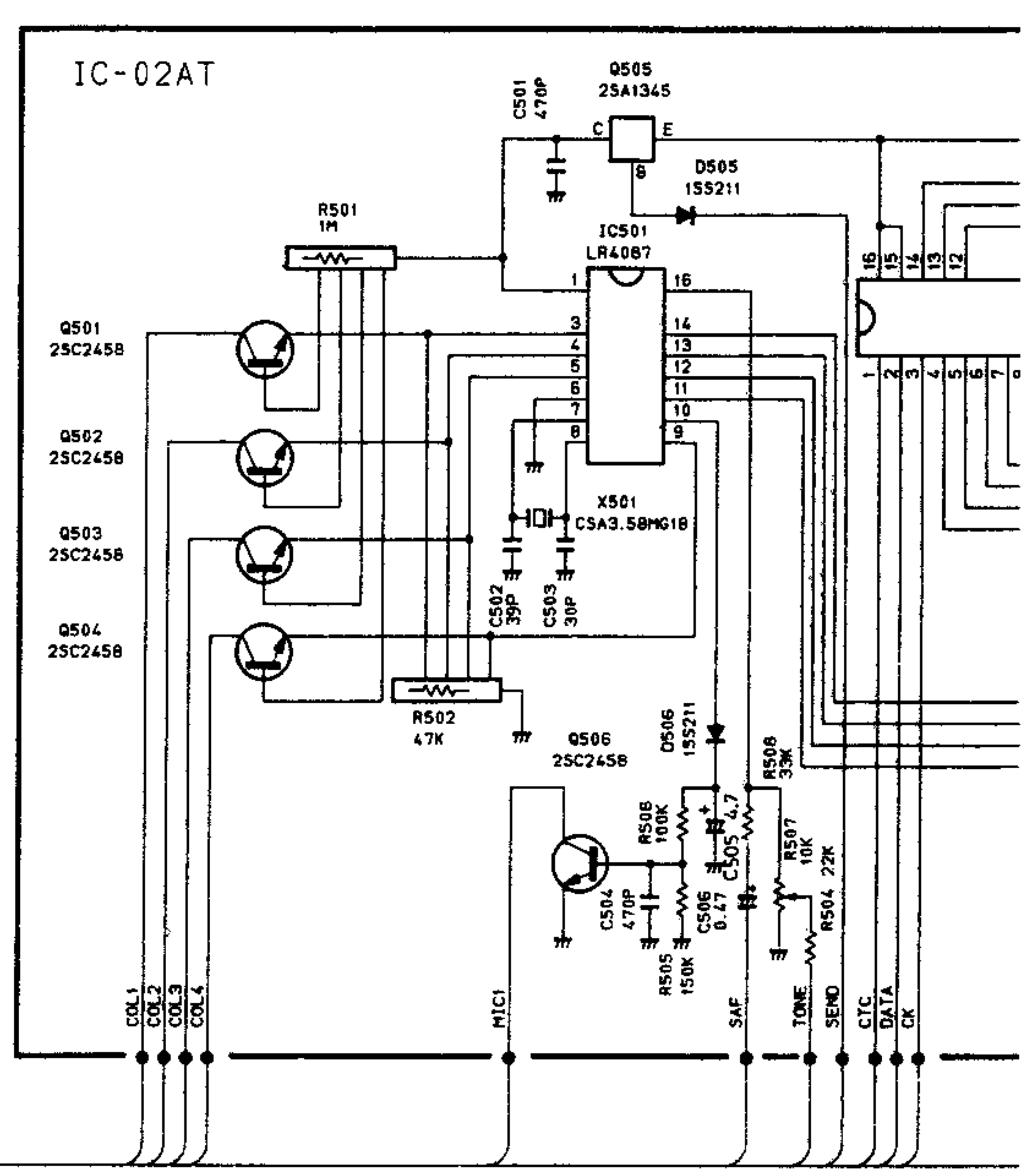
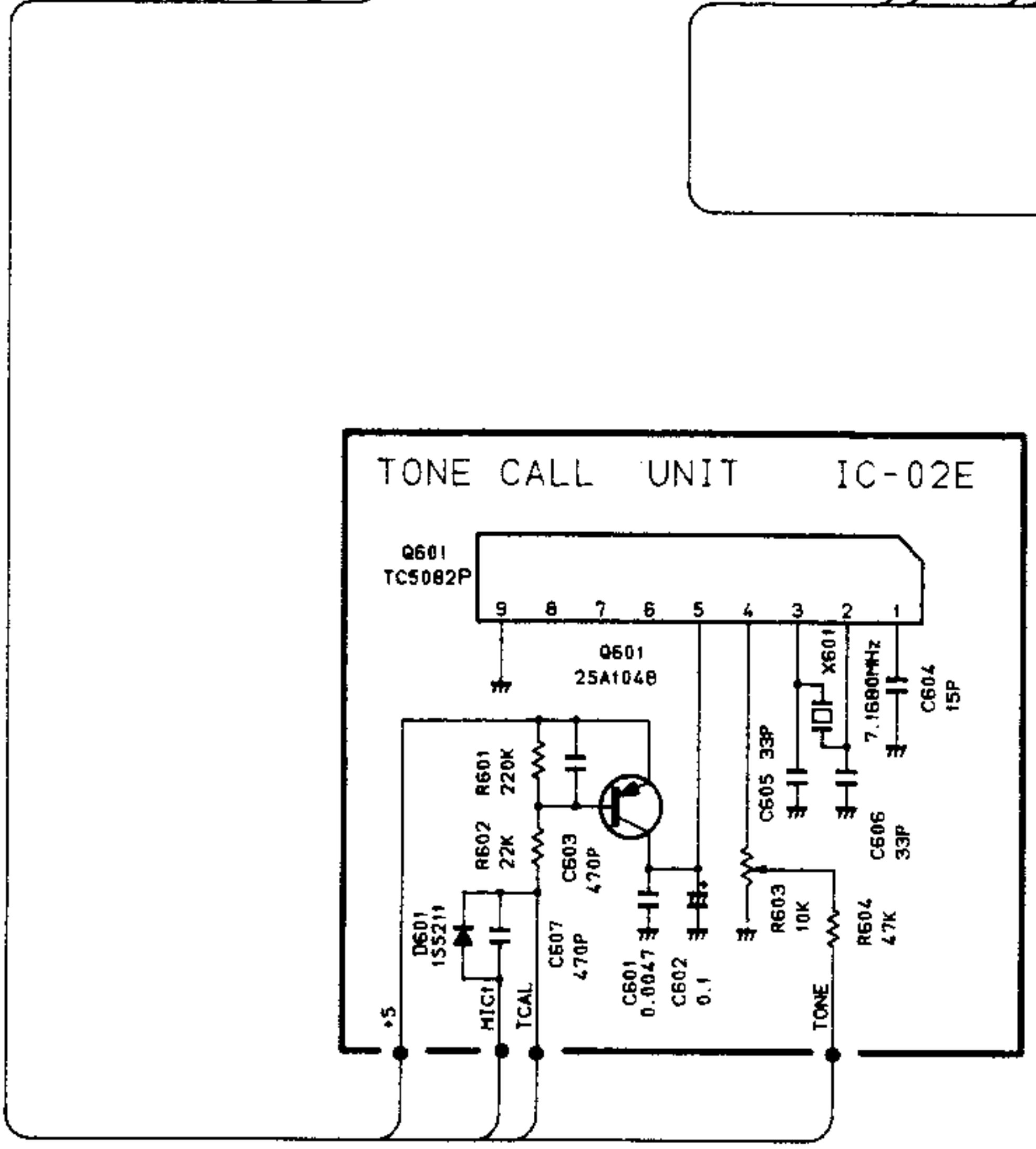
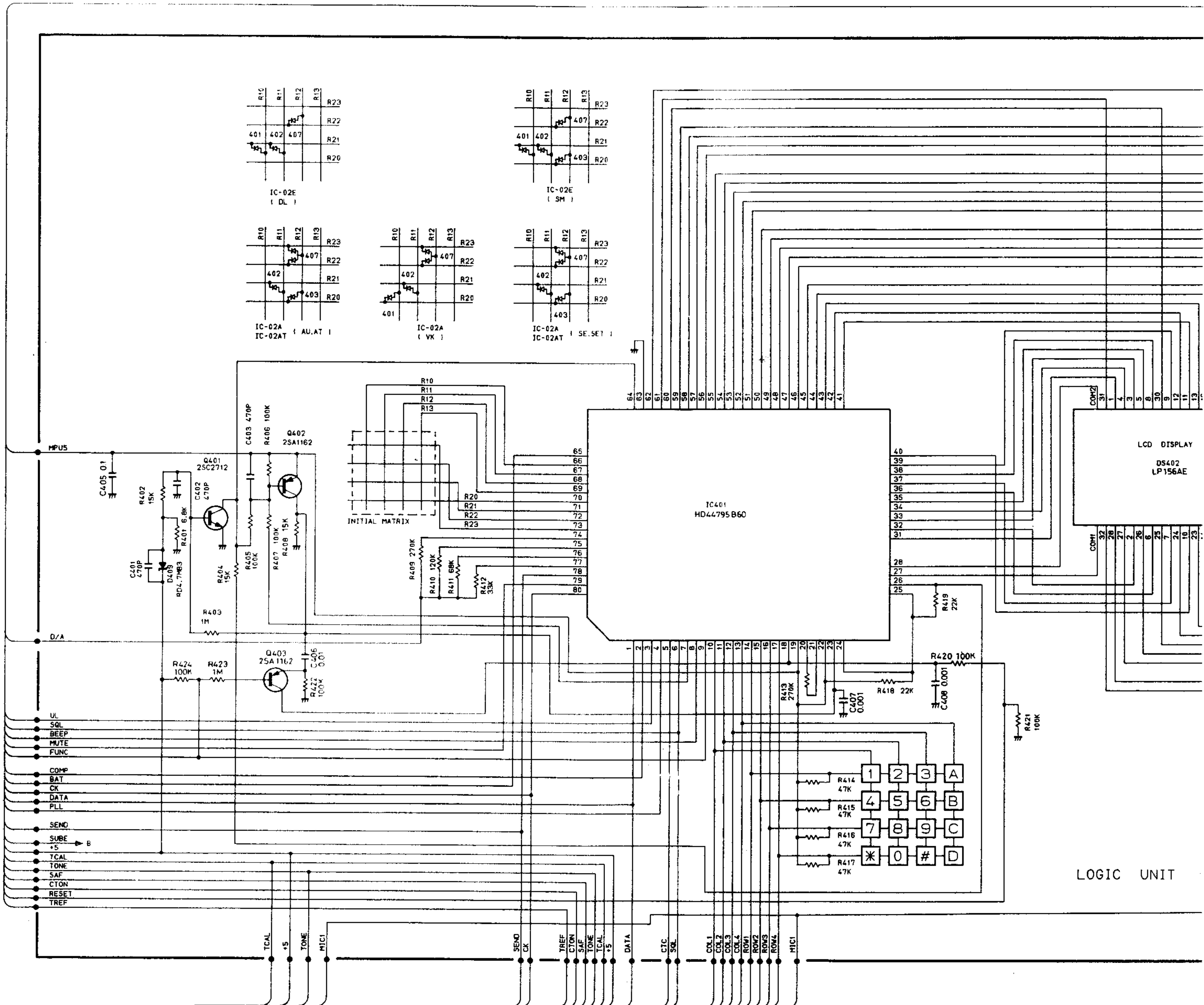


# SECTION 9 BLOCK DIAGRAM

Downloaded by  
RadioAmateur.EU



# IC-02A/AT/E SCHEMATIC DIAG



Downloaded by  
RadioAmateur.EU



# SCHEMATIC DIAGRAM

