
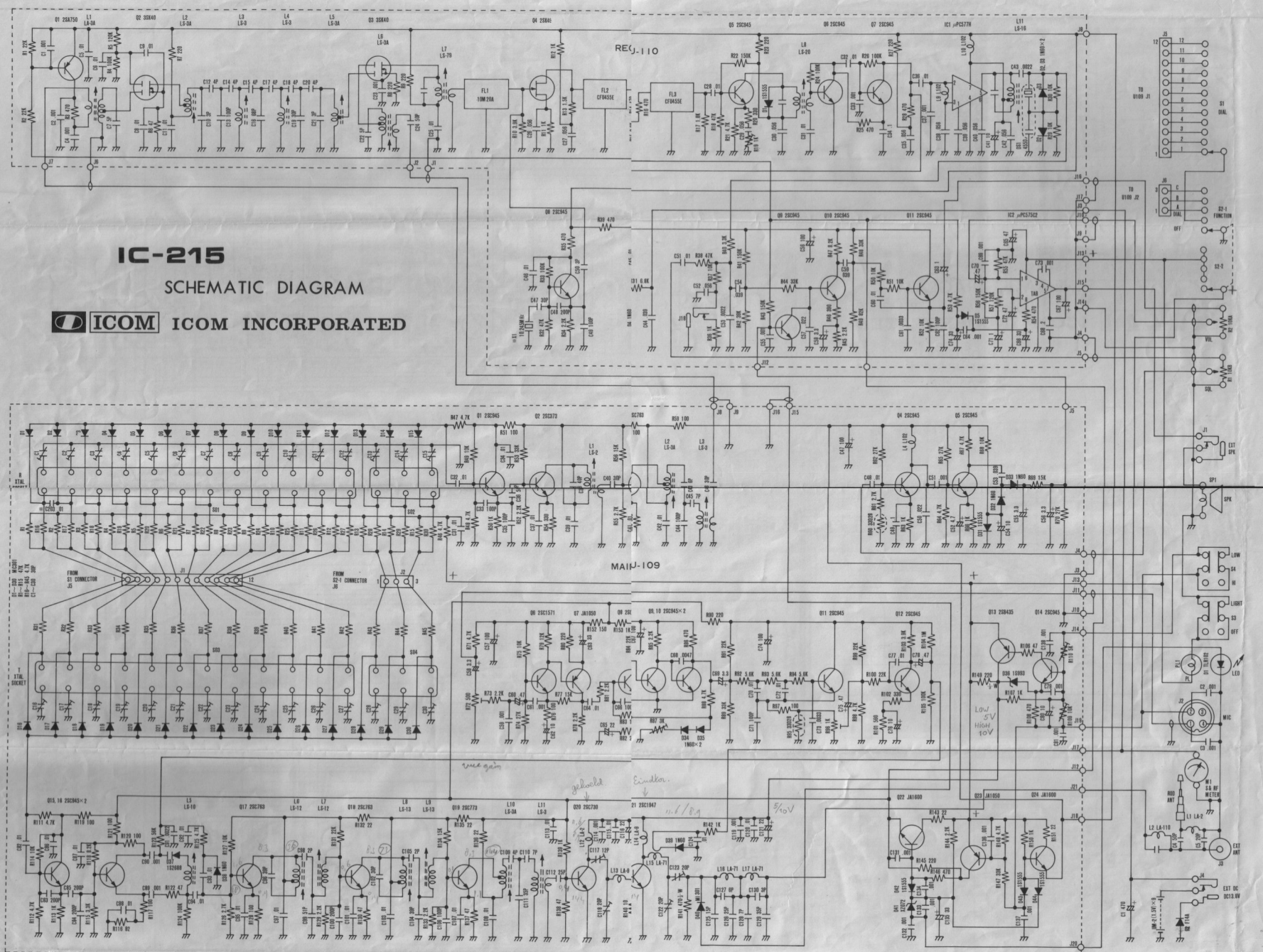


IC-215

SCHEMATIC DIAGRAM

 **ICOM INCORPORATED**

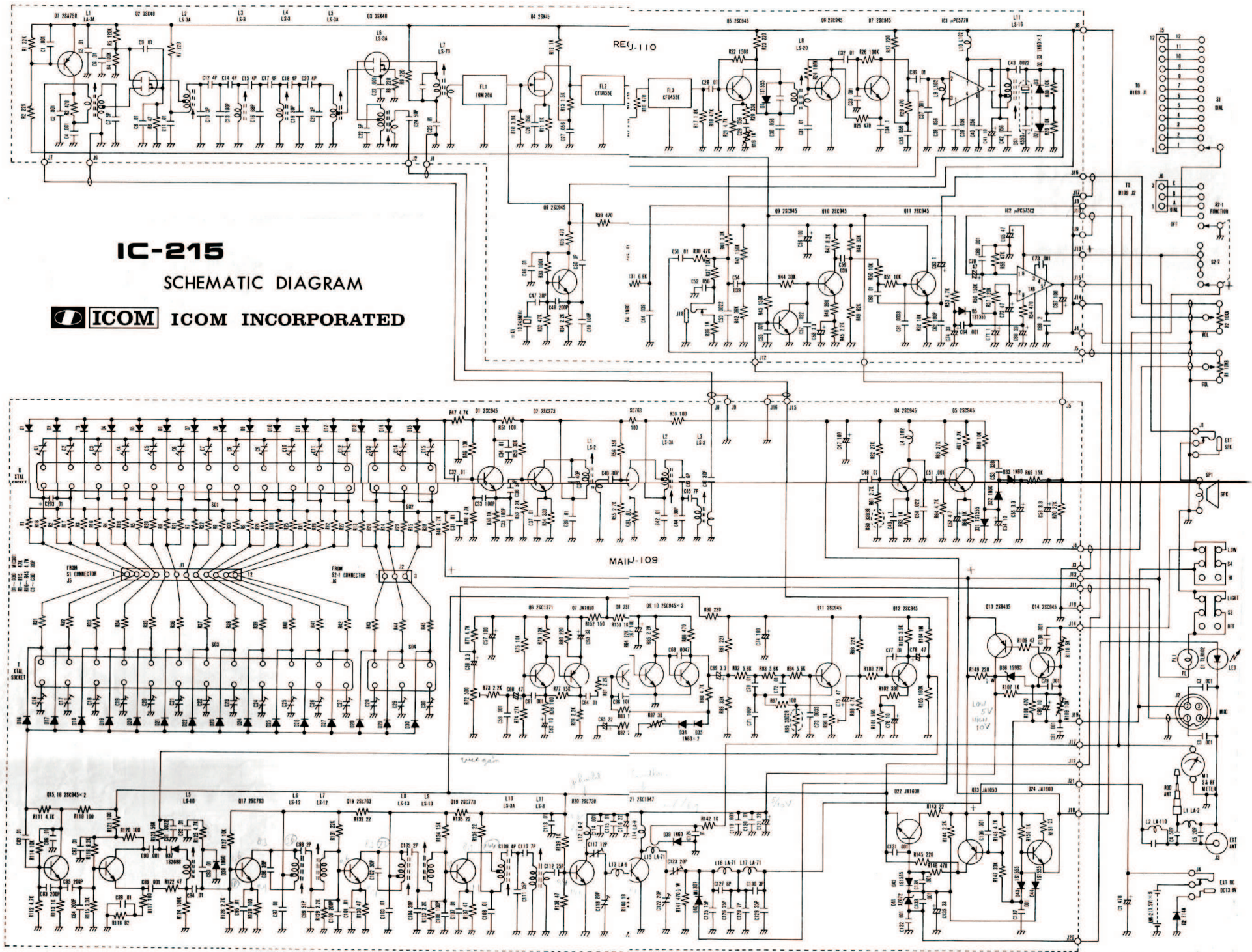
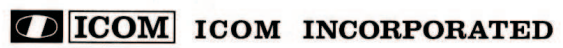


※ X1: 1.155MHz instead of 10.155MHz, is employed in the 146-148MHz version.
※ C203: USA version only.

Some components subject to change for an improvement without notice.

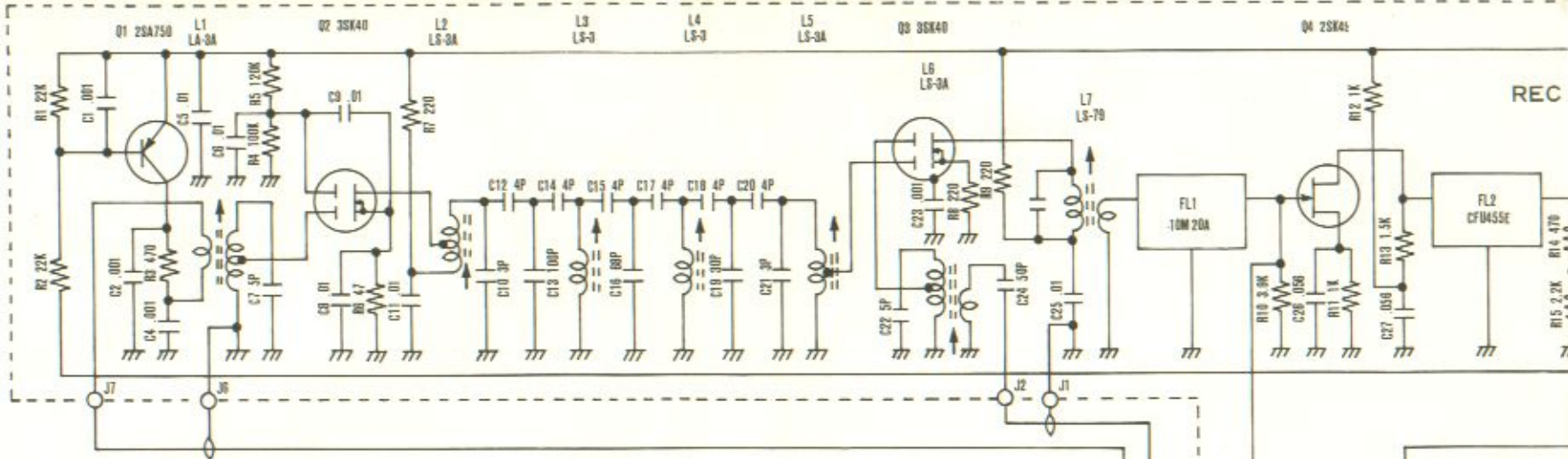
IC-215

SCHEMATIC DIAGRAM



* X1: 11.155MHz instead of 10.15MHz is employed in the 146-148MHz version.
* C203: USA version only.

Some components subject to change for an improvement without notice.



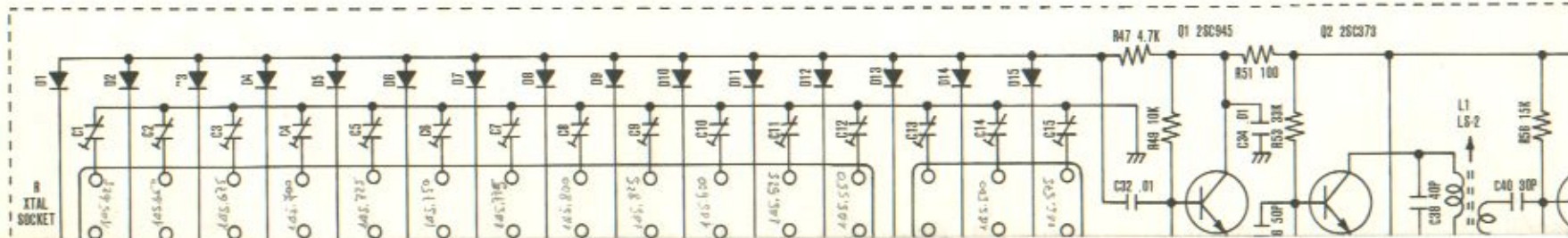
IC-215

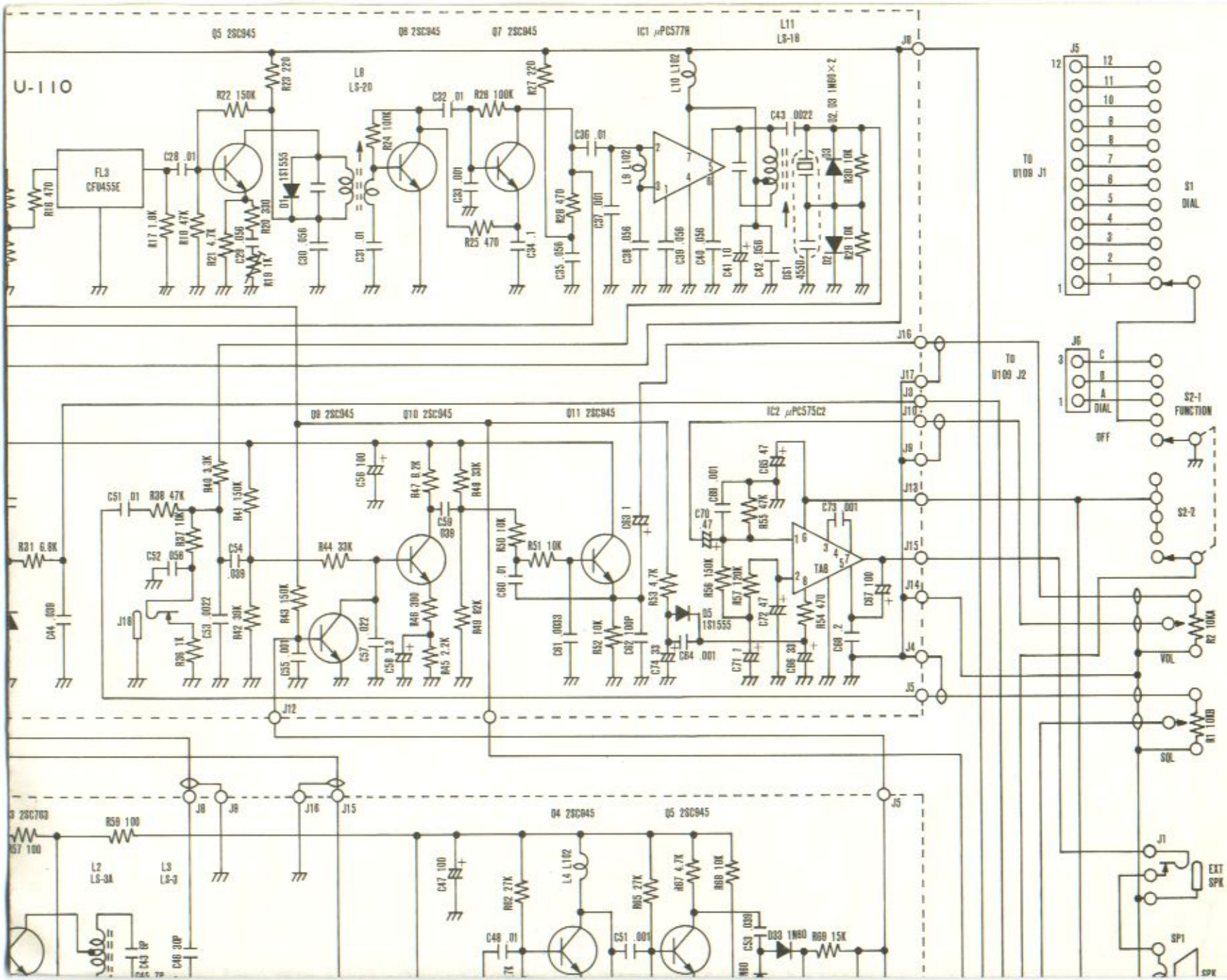
SCHEMATIC DIAGRAM

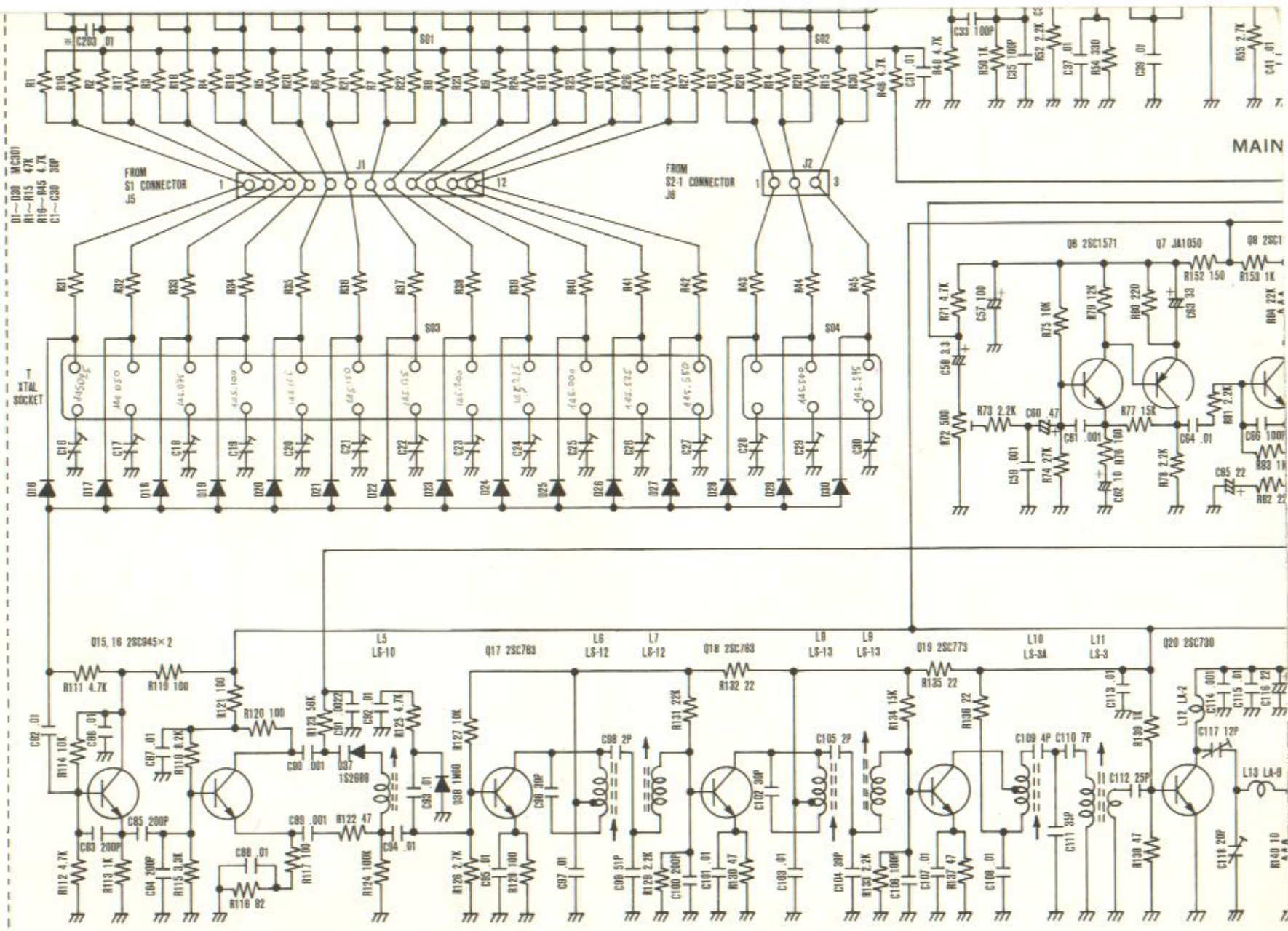


ICOM

INOUE COMMUNICATION
EQUIPMENT CORPORATION





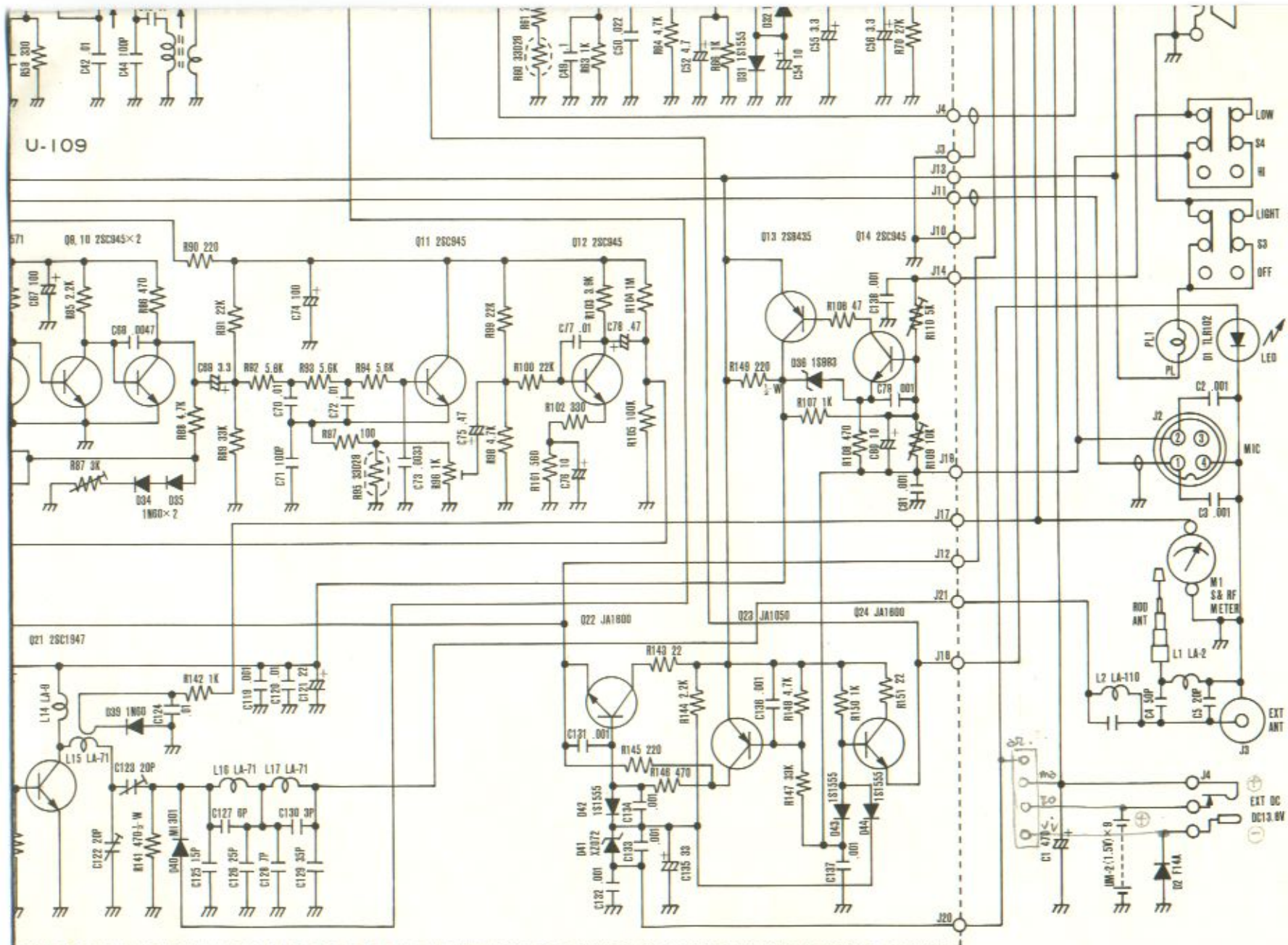


01~028 MC201
 R1~R13 4.7K
 R16~R45 4.7K
 C1~C20 30P

T XTAL SOCKET

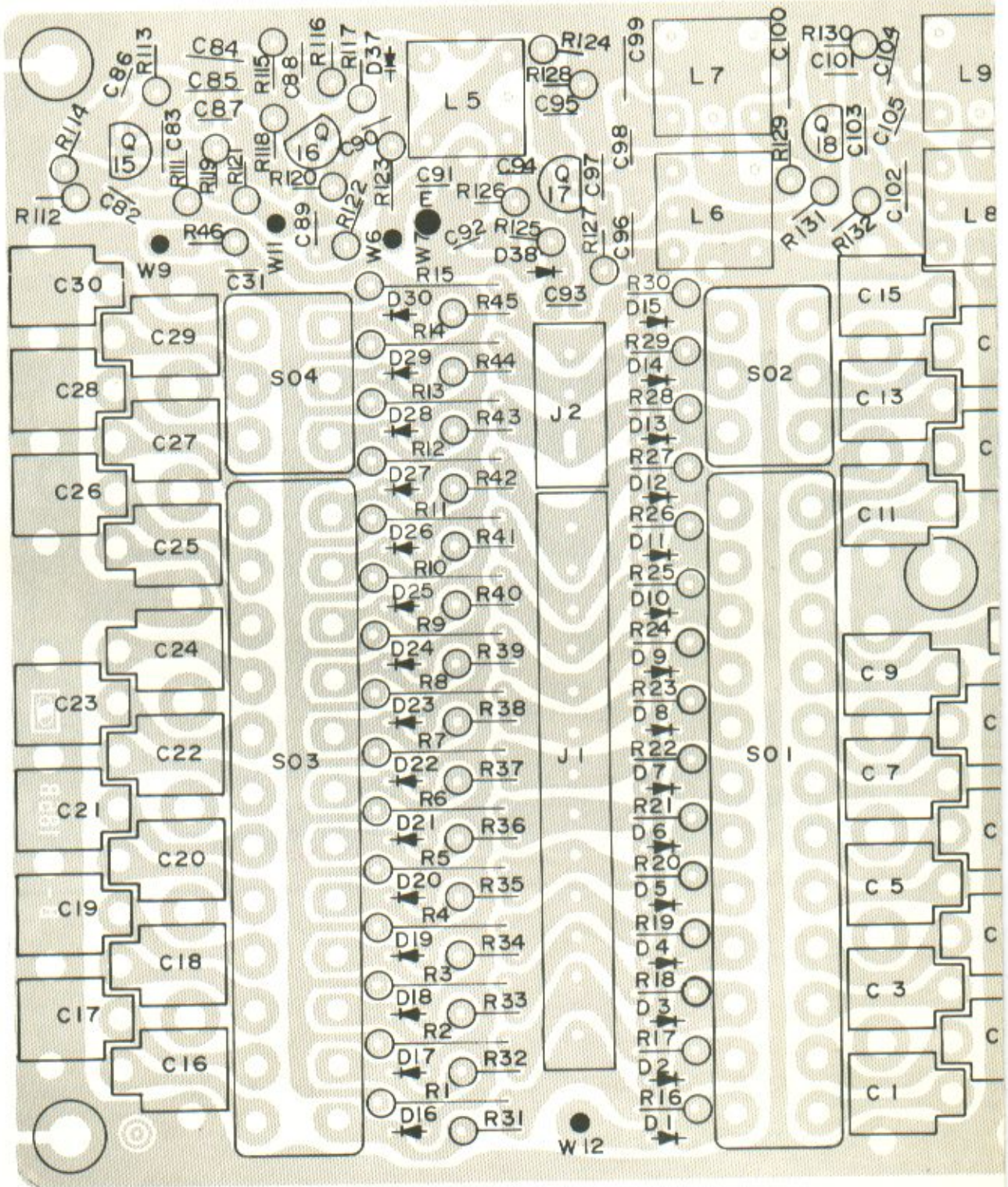
MAIN

* X1: 11.155MHz instead of 10.
 * C203: USA version only.

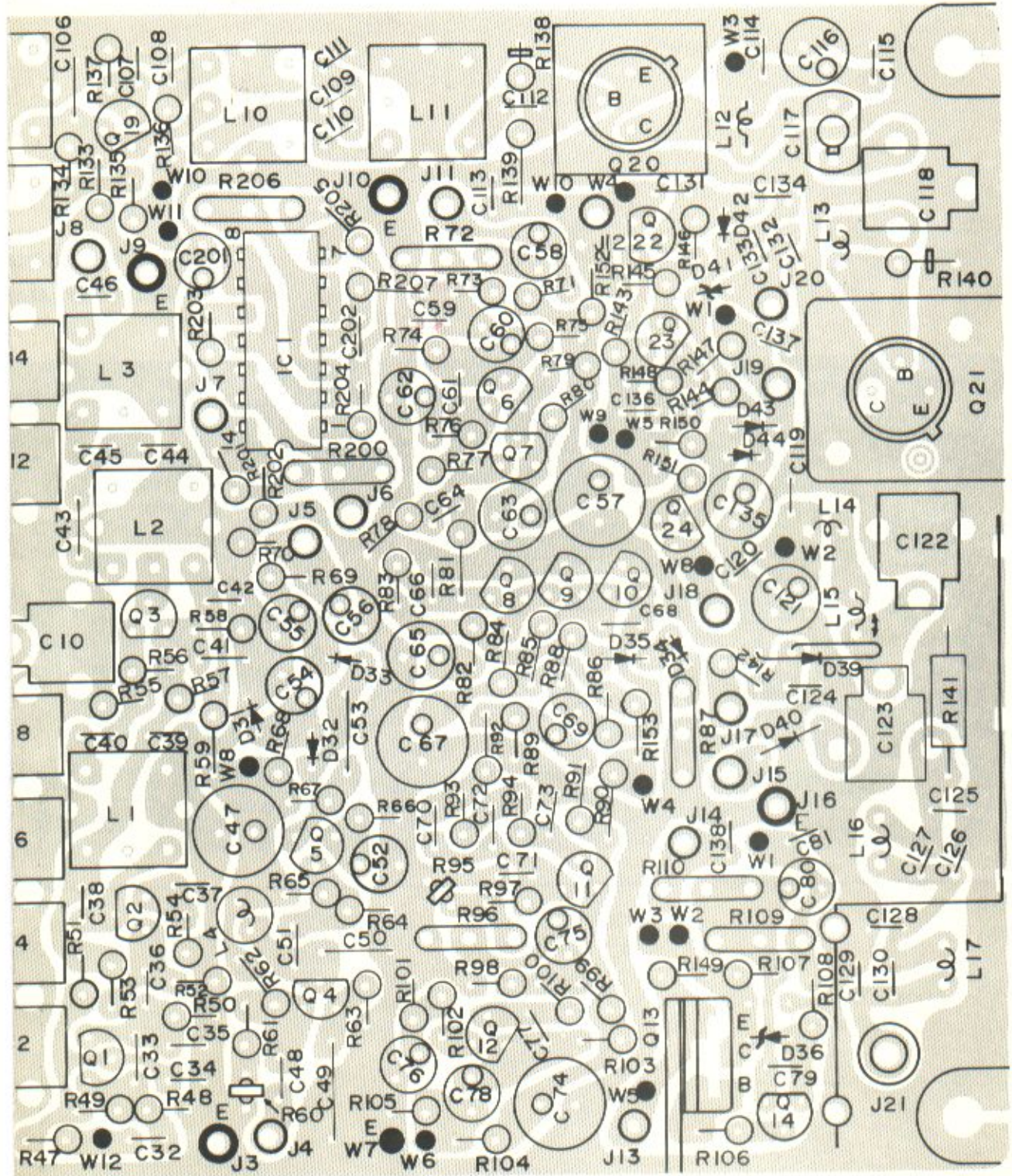


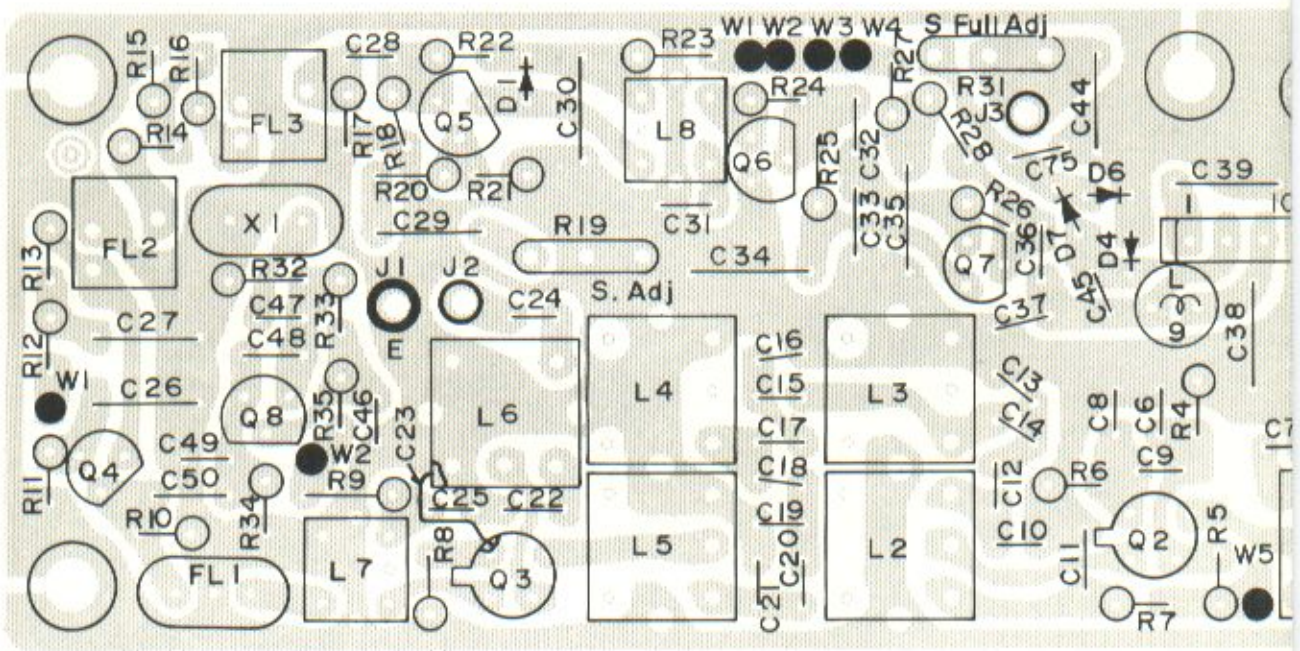
245MHz, is employed in the 146-148MHz version.

Some components subject to change for an improvement without notice.



BOARD LAYOUT





BOARD LAYOUT

