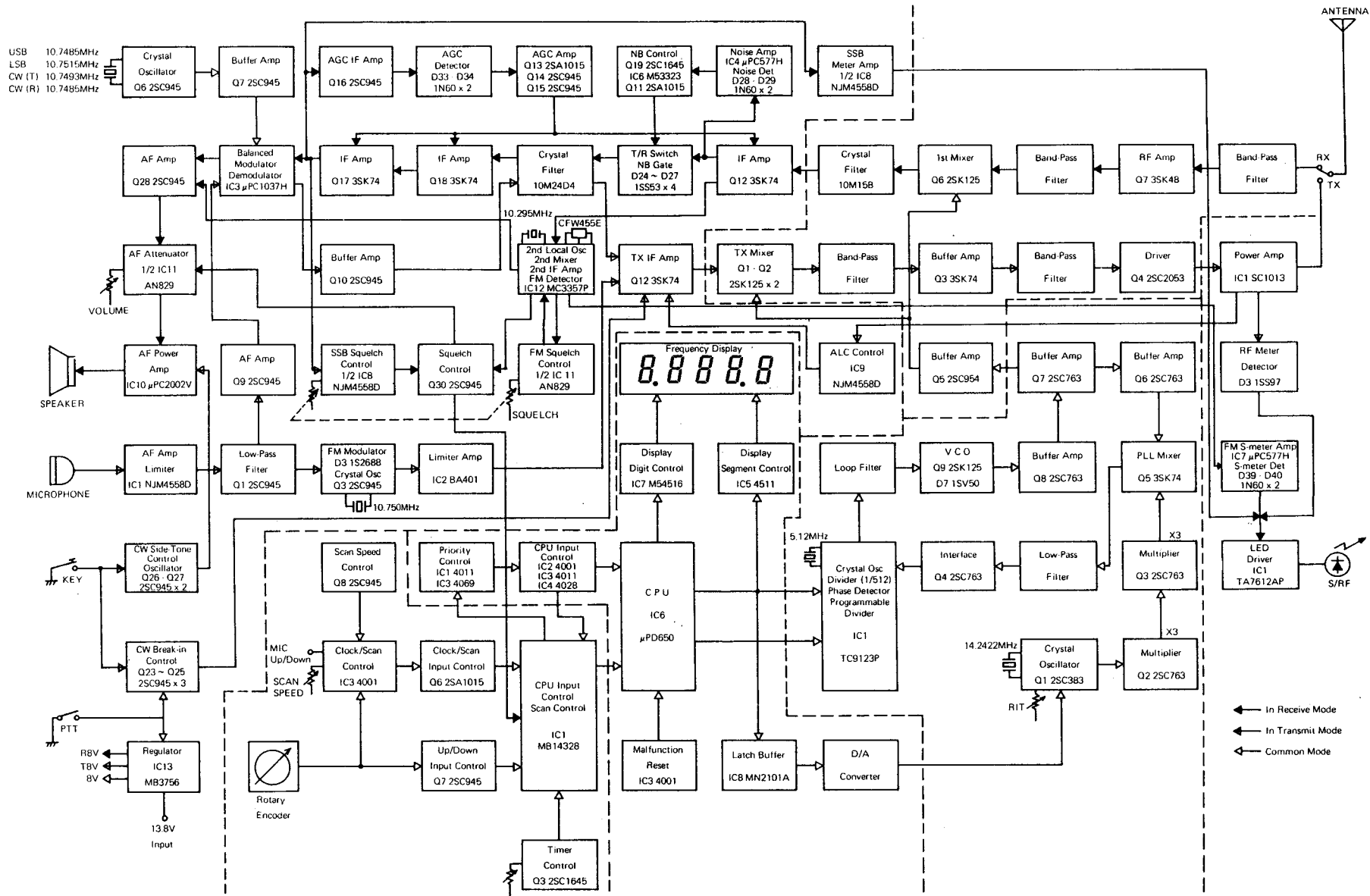
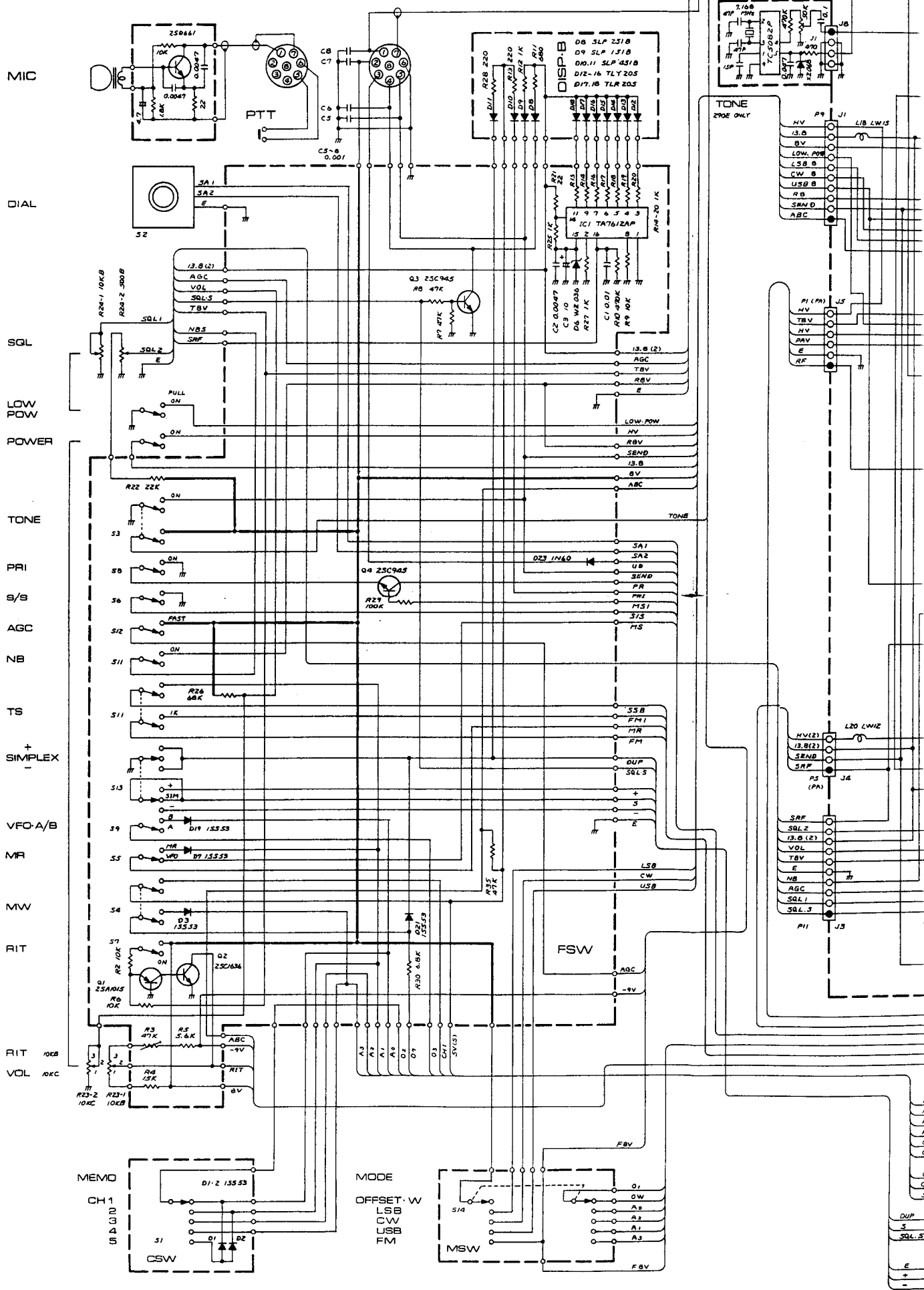


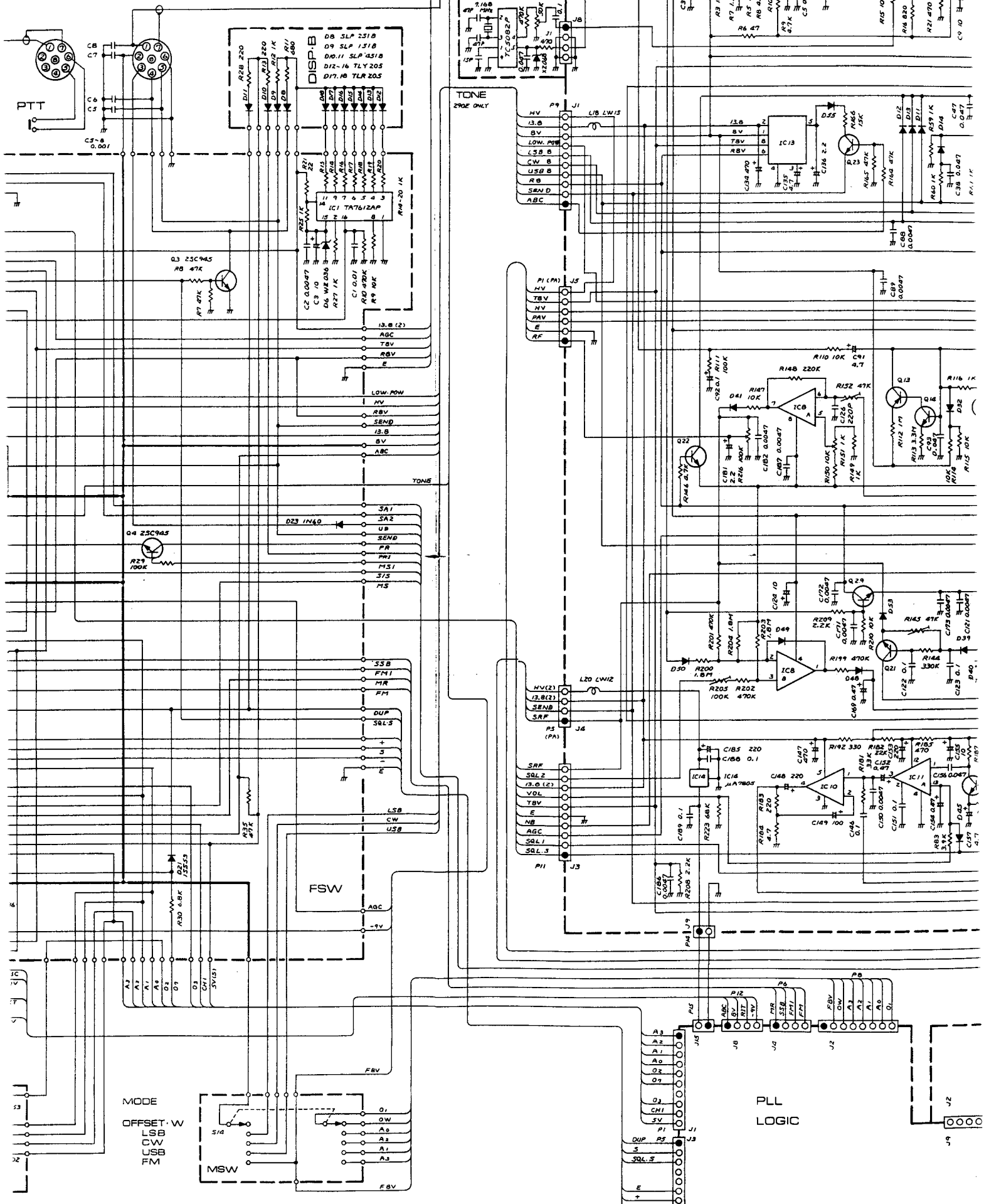
SECTION IX BLOCK DIAGRAM

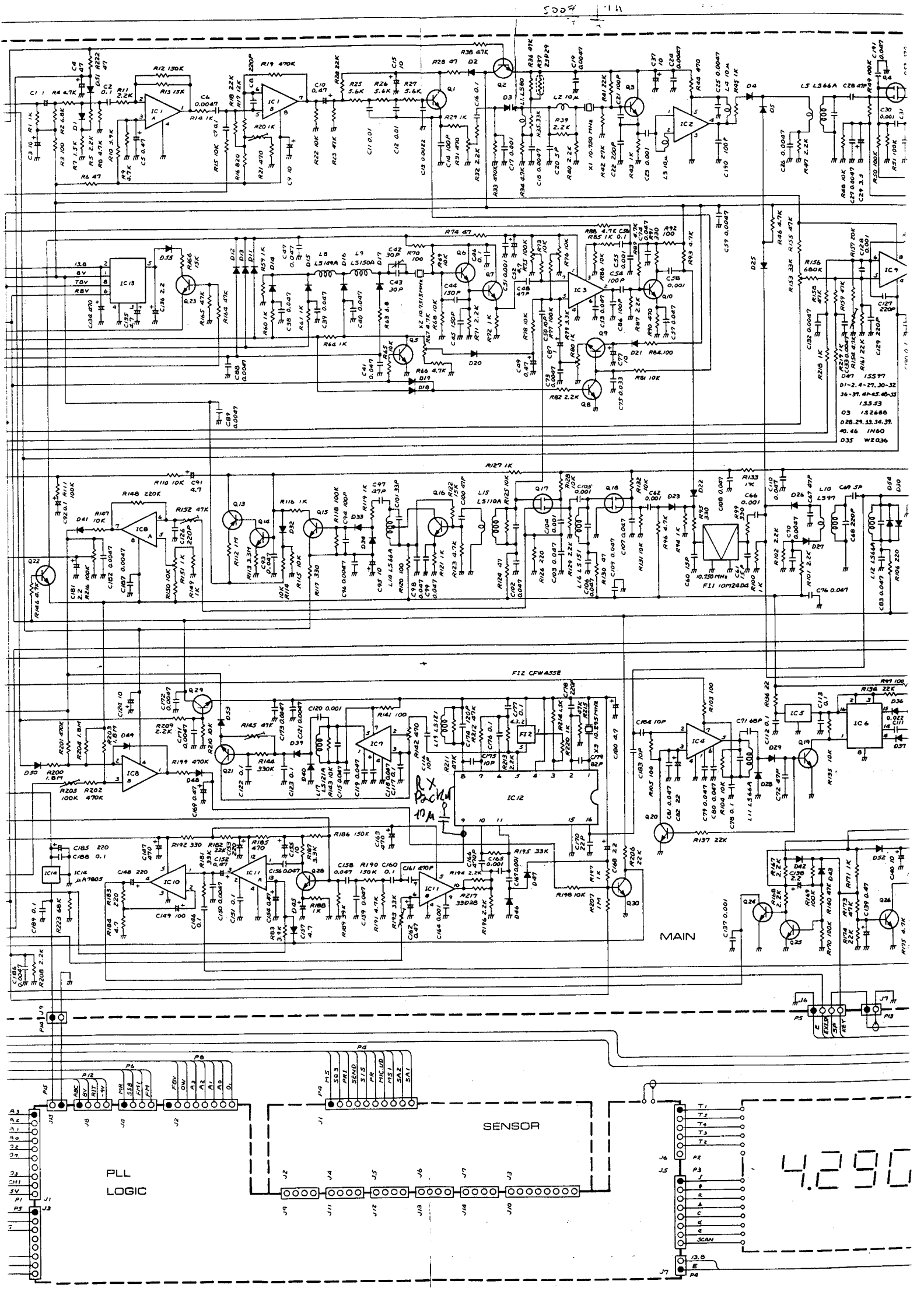


IC-290A/E SCHEMATIC DIAGRAM

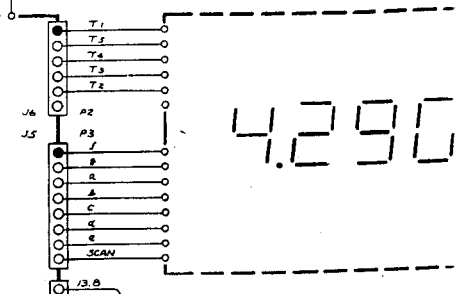
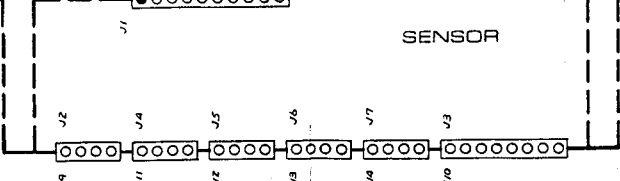
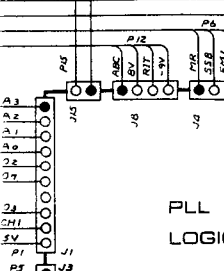


A/E SCHEMATIC DIAGRAM

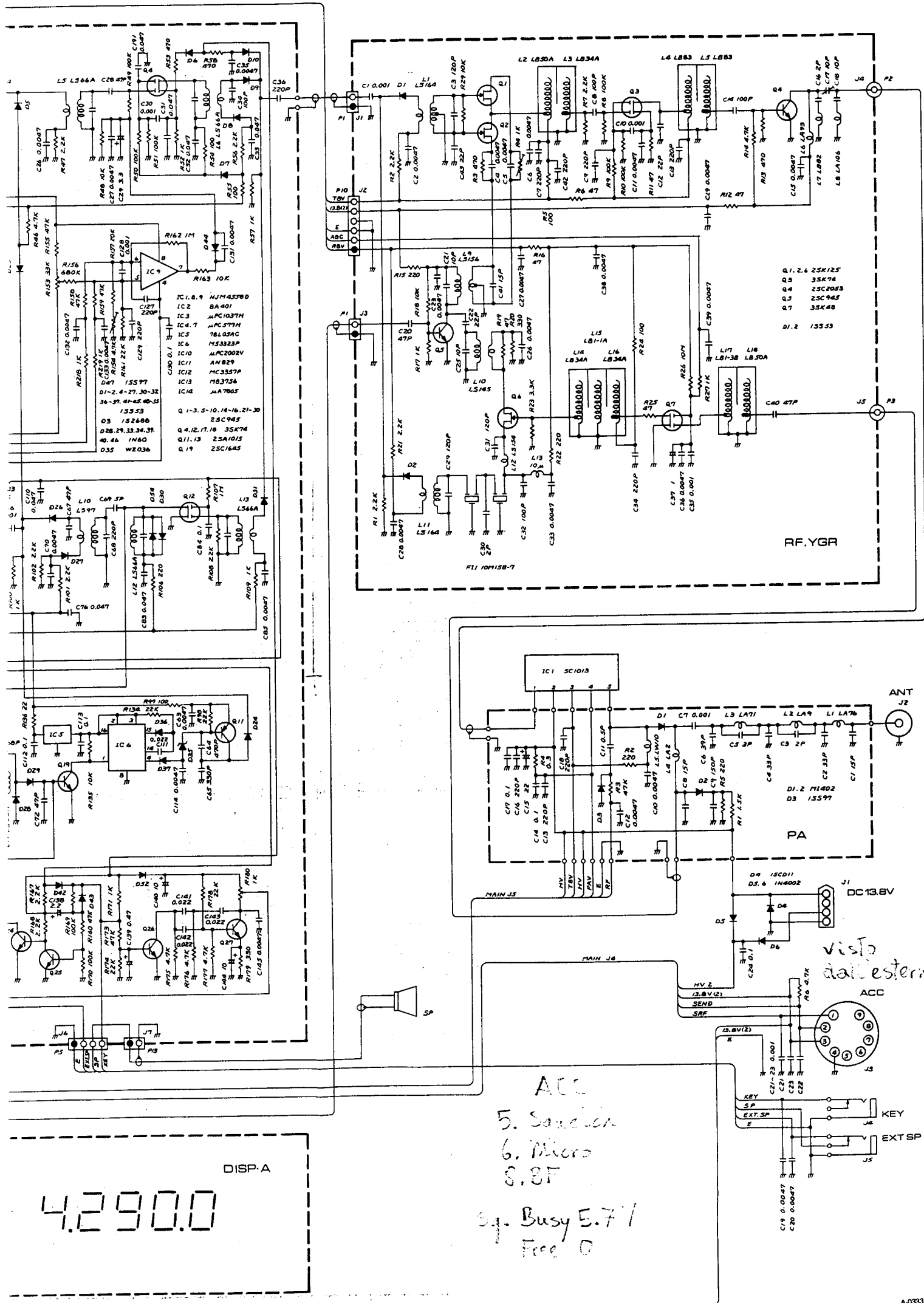




D1	1S597
D2	01-2-4-27.30-32
D3	36-37-44-45-46-55
D4	1S553
D5	1S2488
D6	028.29.33.34.37
D7	40.46 IN60
D8	D35 WE036



4.290



- IC1.8.9 NJM4538D
- IC2 BA401
- IC3 MPC1037H
- IC4.7 MPC377H
- IC5 78L05AC
- IC6 MS3325P
- IC7 MC2002V
- IC8 AN829
- IC9 MC3387P
- IC10 78375A
- IC11 MA7805
- IC12
- IC13
- IC14

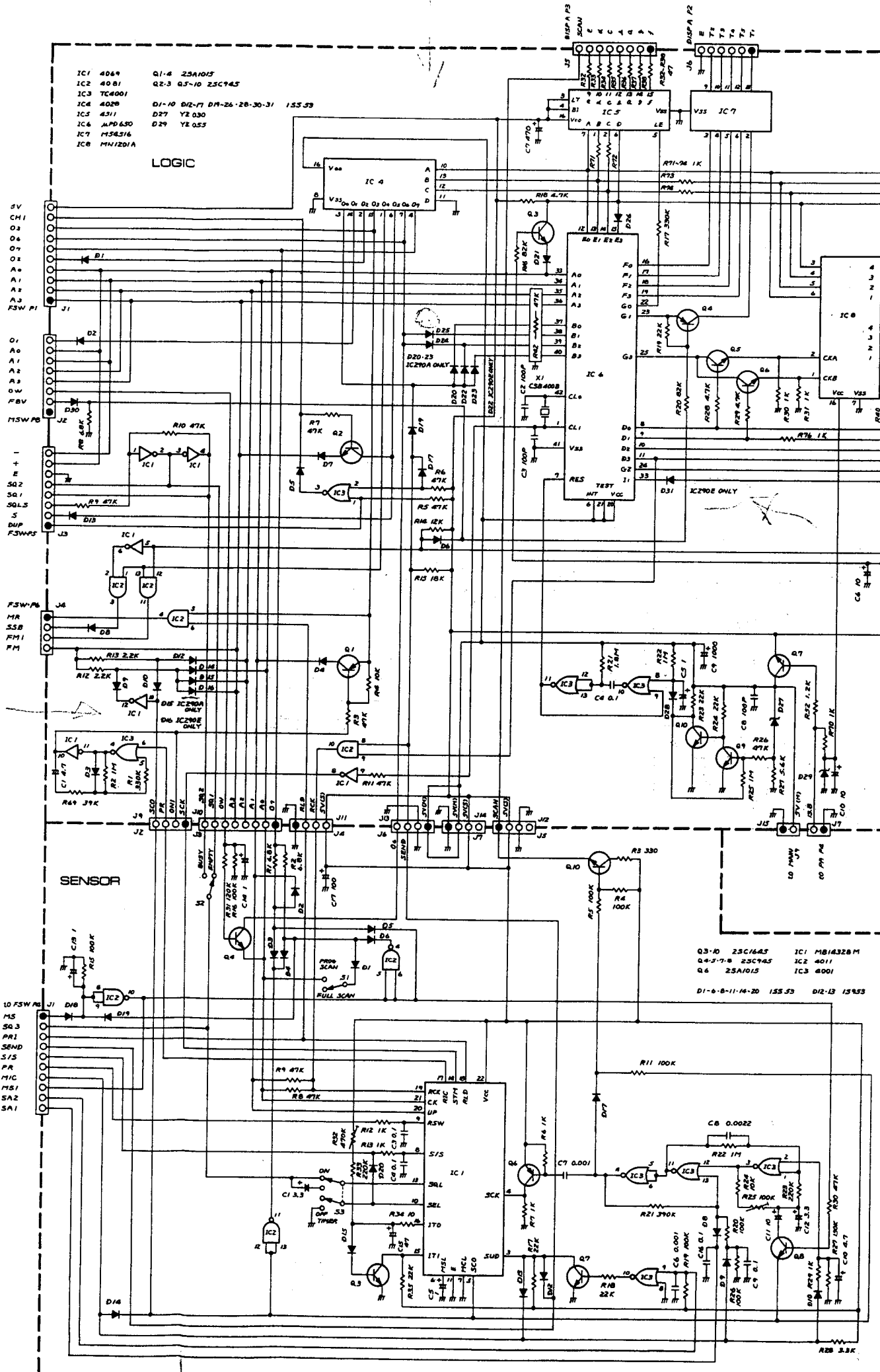
- Q1.2.4 2SK125
- Q3 3SK74
- Q4 2SC2053
- Q5 2SC945
- Q7 3SK48
- DI.2 1S333

- Q1.2.4 2SK125
- Q3 3SK74
- Q4 2SC2053
- Q5 2SC945
- Q7 3SK48
- DI.2 1S333

4.290.0

ACC
5. Send on
6. Micro
8.8F
Sq. Busy 5.71
Free 0

visto dall'esterno.



- IC1 4069 Q1-4 2SA1015
 IC2 4081 Q2-3 Q3-10 2SC945
 IC3 TC4001
 IC4 4020 D1-10 D12-17 D19-26-28-30-31 155.53
 IC5 4311 D27 YE.030
 IC6 ALPD630 D29 YE.053
 IC7 M58316
 IC8 MN1201A

LOGIC

- 5V
 CH1
 O2
 O6
 O7
 O2
 A4
 A1
 A2
 A3
 O4V
 F8V
 FSW P1
 J1

- O1
 A0
 A1
 A2
 A3
 O4V
 F8V
 FSW P6
 J2

- +
 S02
 S01
 S01.5
 S
 DUP
 FSW P5
 J3

- MR
 SSB
 FM1
 FM

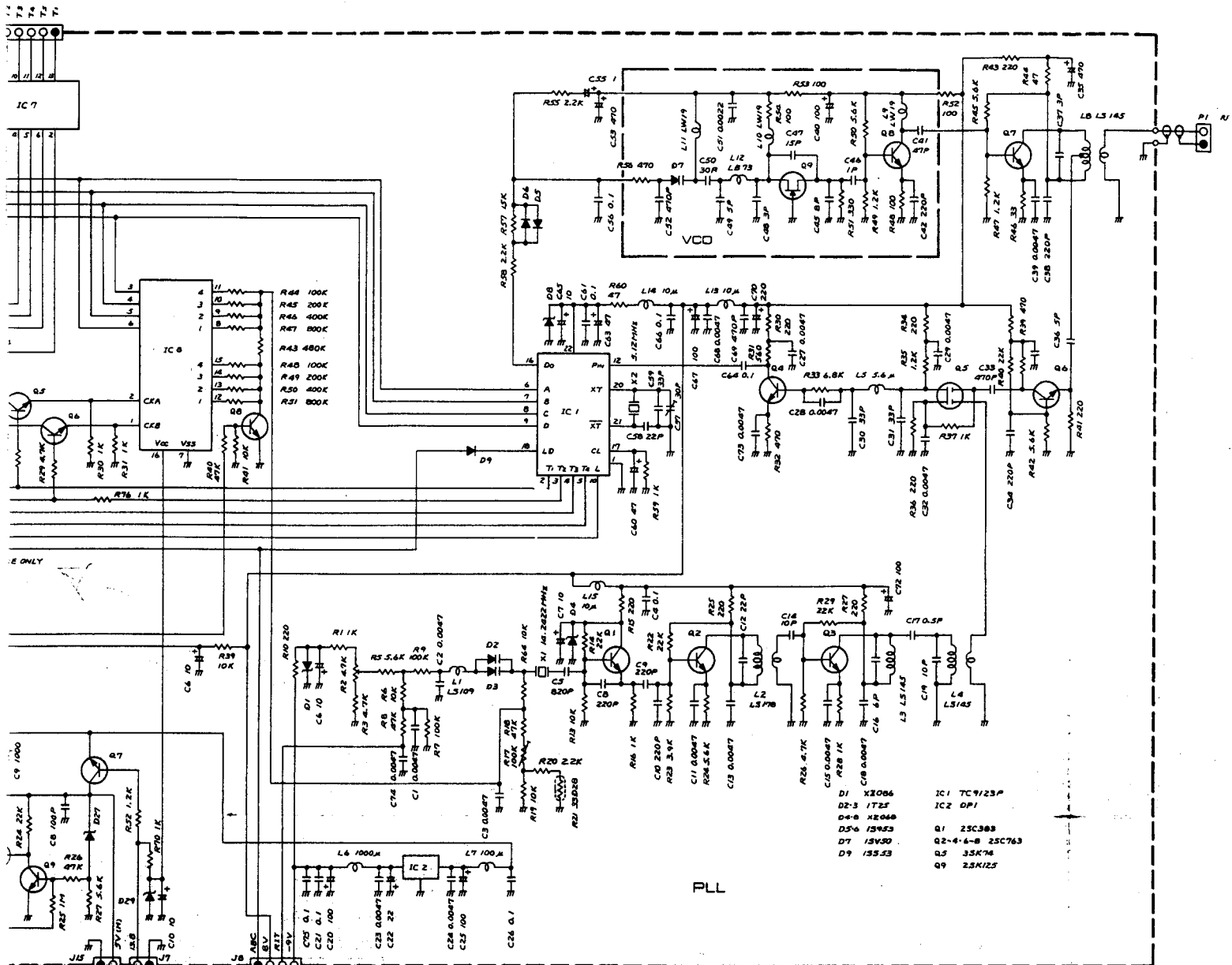
- J4
 J5
 J6
 J7
 J8
 J9
 J10
 J11
 J12
 J13
 J14
 J15
 J16
 J17
 J18
 J19
 J20
 J21
 J22
 J23
 J24
 J25

- 10 FSW P8
 J1
 D14

- MS
 S0.3
 PR1
 SEND
 S1.5
 PR
 MIC
 MS1
 SA2
 SA1

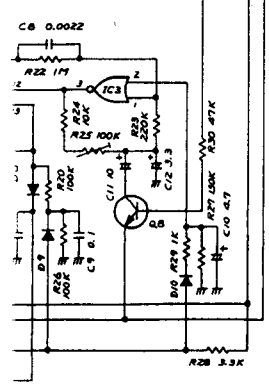
SENSOR

- Q3-10 2SC1645 IC1 MB14328 M
 Q4-5-7-8 2SC945 IC2 4011
 Q6 2SA1015 IC3 4001
 D1-6-8-11-14-20 155.53 D12-13 154.53

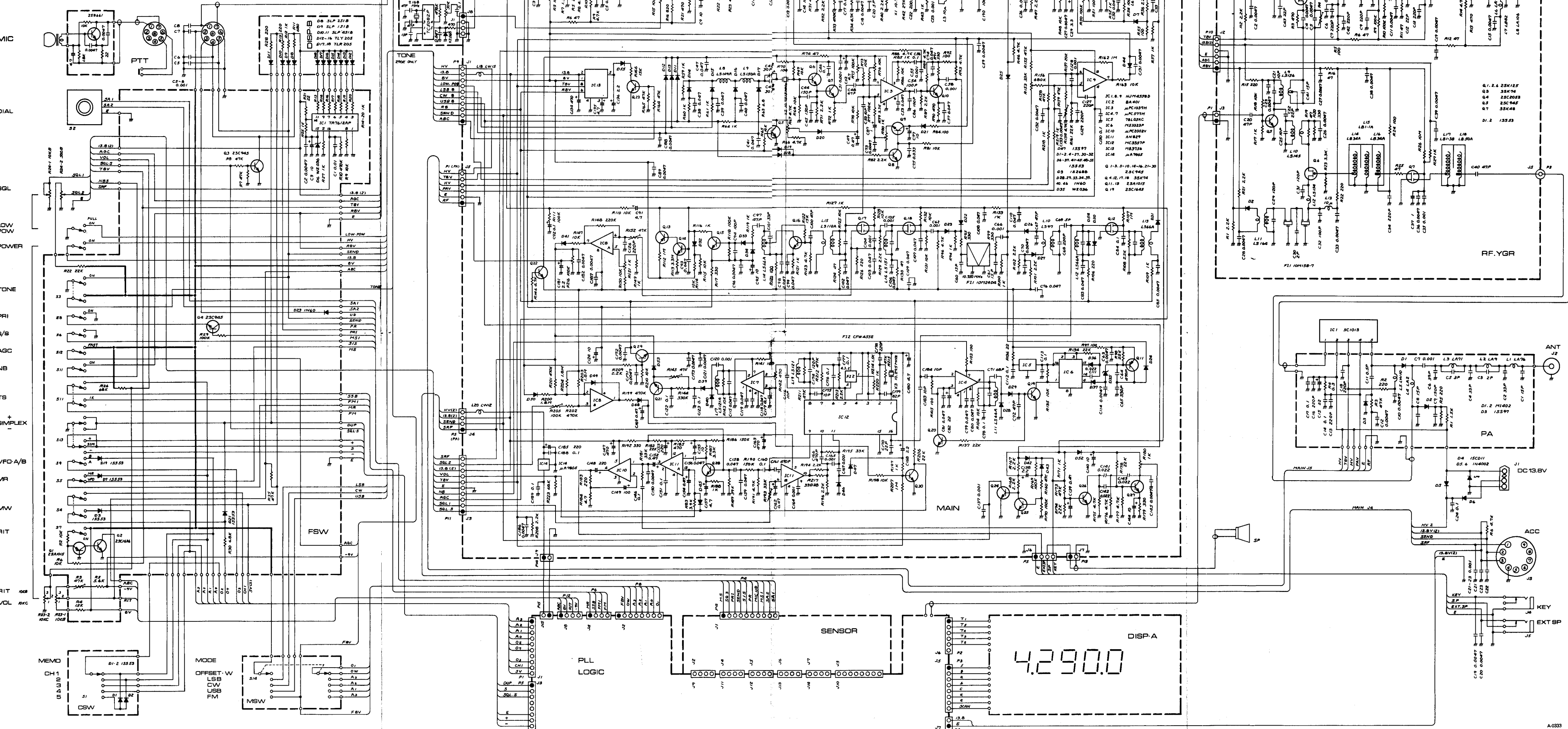


- | | | | |
|------|-------|----------|---------|
| D1 | X1086 | IC1 | 7C9123P |
| D2-3 | 1T25 | IC2 | DP1 |
| D4-8 | X2048 | Q1 | 25C388 |
| D5-6 | 13953 | Q2-4-6-8 | 25C763 |
| D7 | 13950 | Q5 | 35K76 |
| D9 | 15553 | Q9 | 25K125 |

- | | | | |
|--------------|---------|--------|----------|
| 3-10 | 25C1645 | IC1 | M814328M |
| 4-5-7-8 | 25C945 | IC2 | 4011 |
| 5 | 25A1015 | IC3 | 4001 |
| 6-8-11-16-20 | 15553 | D12-13 | 15953 |



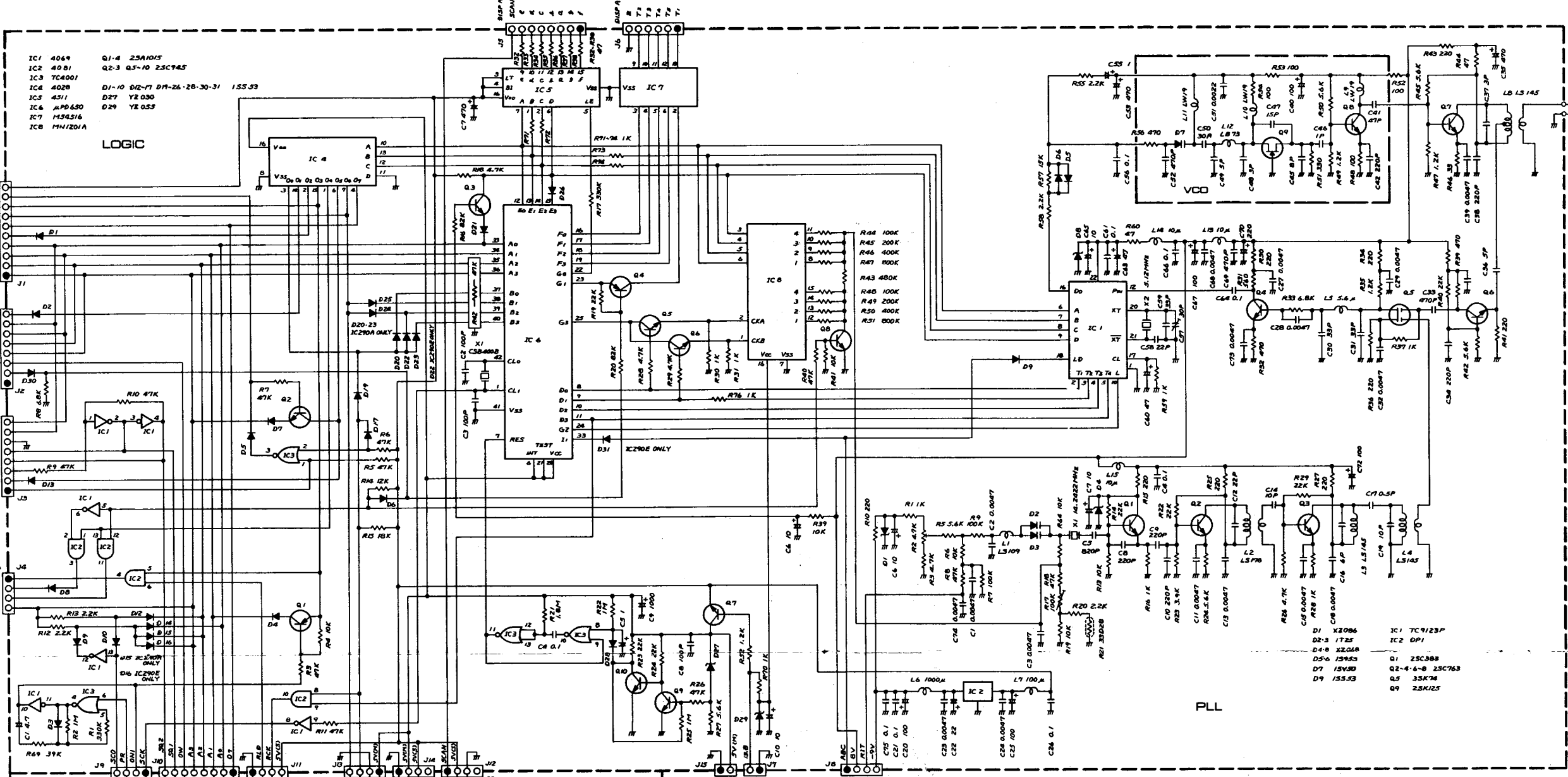
IC-290A/E SCHEMATIC DIAGRAM



IC1 4069 Q1-4 25A1015
 IC2 4081 Q2-3 Q5-10 25C745
 IC3 7C4001
 IC4 4028 D1-10 D12-17 DM-26-28-30-31 155.53
 IC5 4511 D27 Y2 030
 IC6 MPD630 D29 Y2 053
 IC7 M54516
 IC8 MN1201A

LOGIC

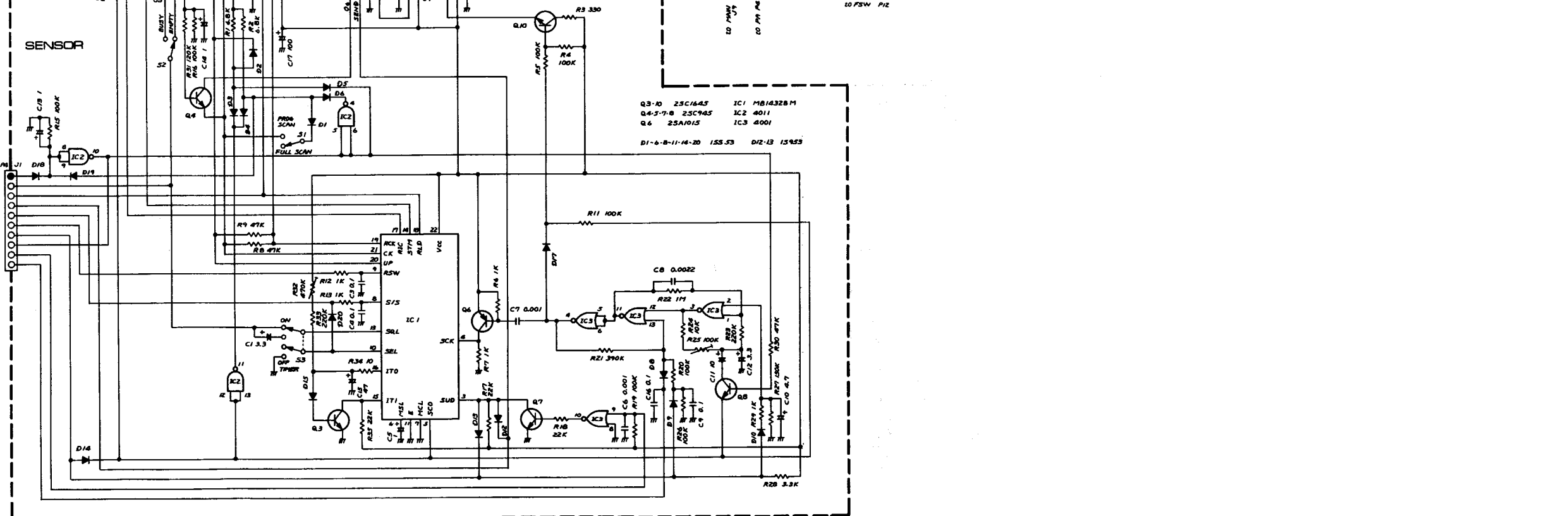
5V
 CH1
 O2
 O4
 O7
 O8
 A1
 A2
 A3
 FSW P1
 D1
 A0
 A1
 A2
 A3
 OW
 FBV
 MSW PB
 -
 +
 SQ2
 SQ1
 SQ3
 S
 BUP
 FSWP3
 FSW P4
 MR
 SSB
 FM1
 FM



PLL

SENSOR

10 FSW P1
 MS
 SQ3
 PR1
 SEND
 S15
 PR
 MIC
 MS1
 SA2
 SA1



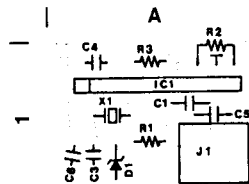
Q3-10 25C1645 IC1 M54328M
 Q4-5-7-8 25C945 IC2 4011
 Q6 25A1015 IC3 4001
 D1-6-8-11-14-20 155.53 D12-13 15453

D1 X2086 IC1 7C9123P
 D2-3 1725 IC2 DP1
 D4-8 X2068 Q1 25C988
 D5-6 15453 Q2-4-6-8 25C763
 D7 15453 Q5 35K74
 D9 155.53 Q9 25K125

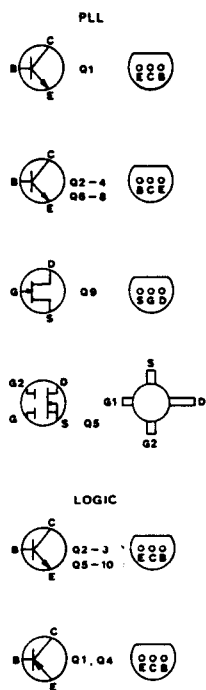
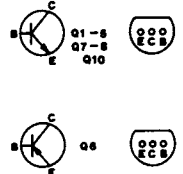
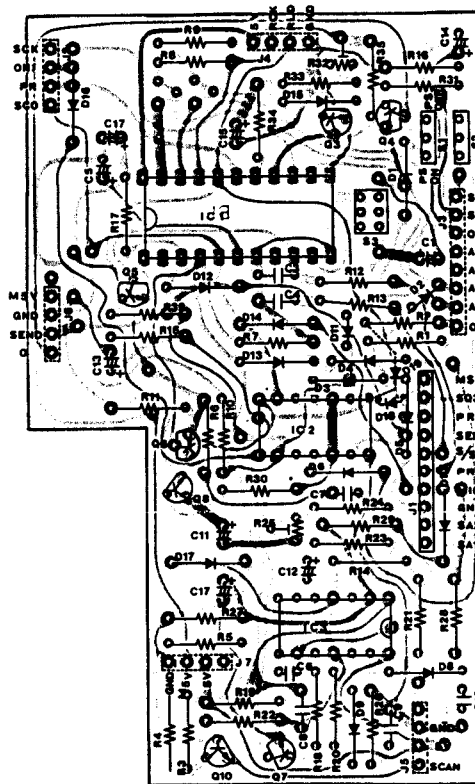


ICOM

tone call unit

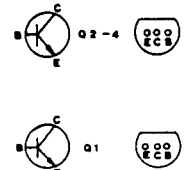
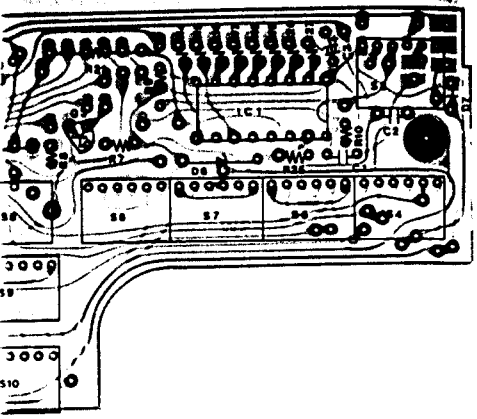


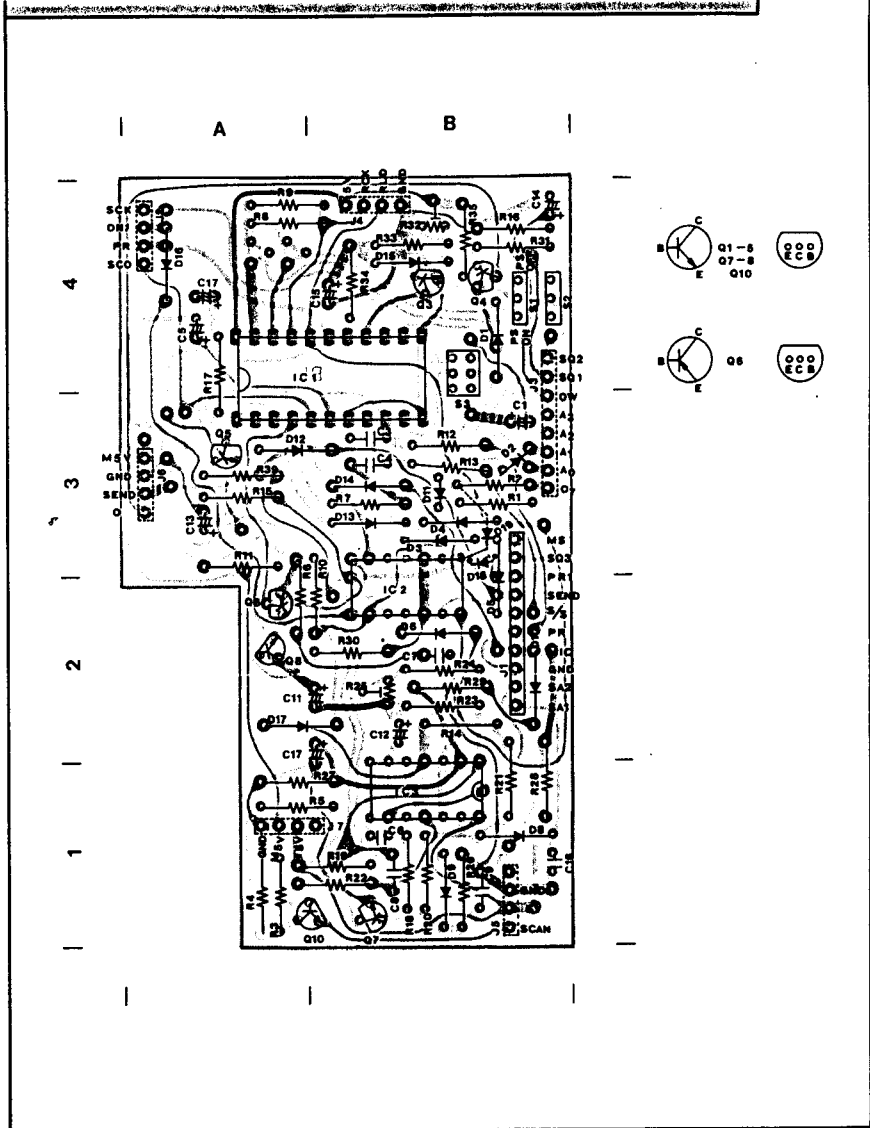
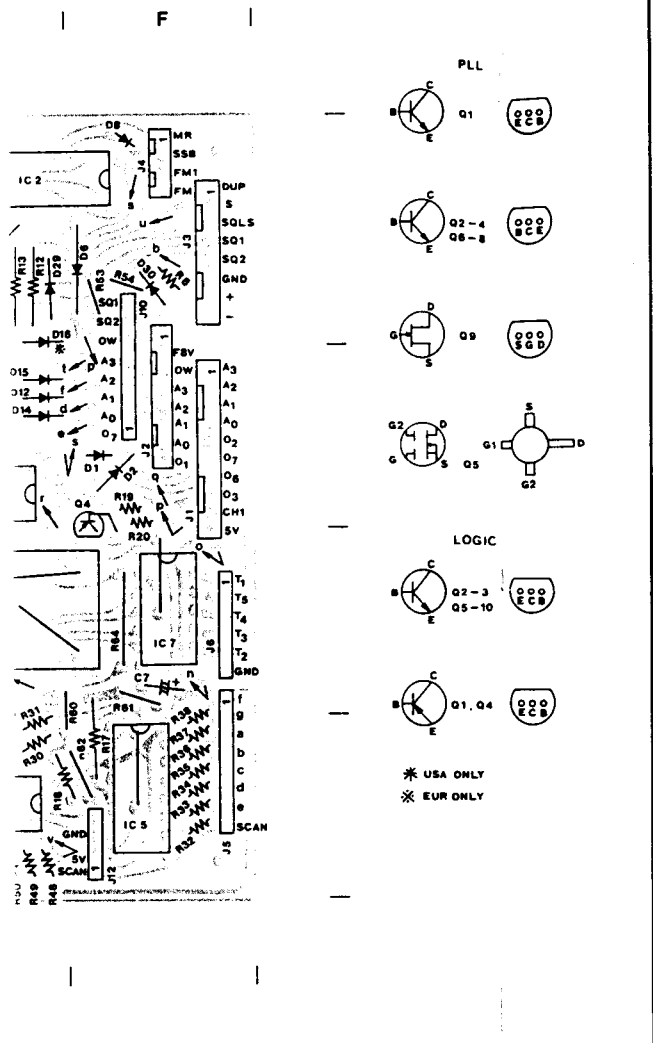
SENSOR BOARD



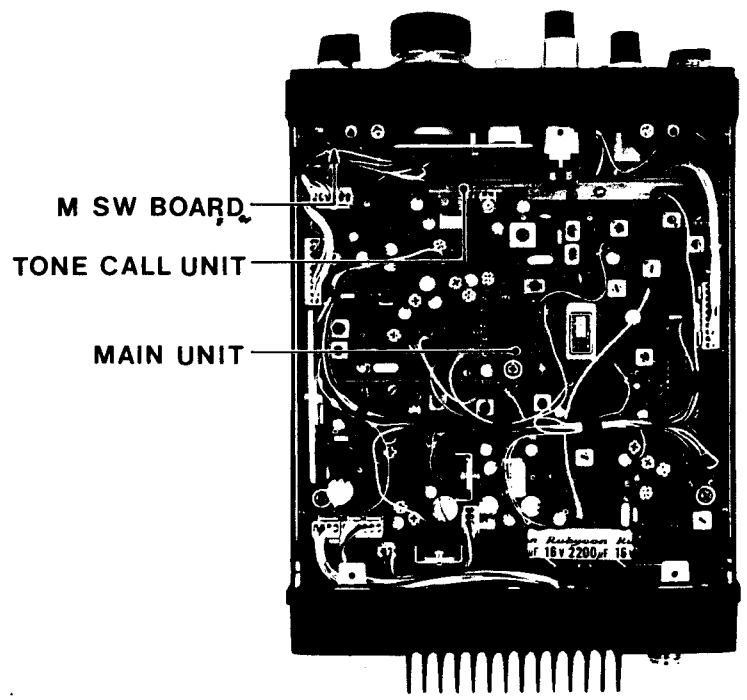
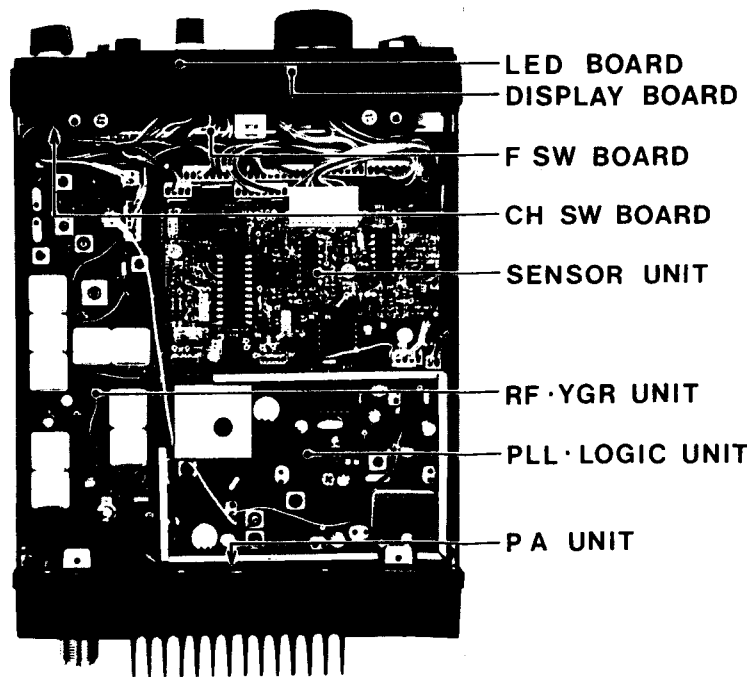
* USA ONLY
* EUR ONLY

UNIT LAYOUT





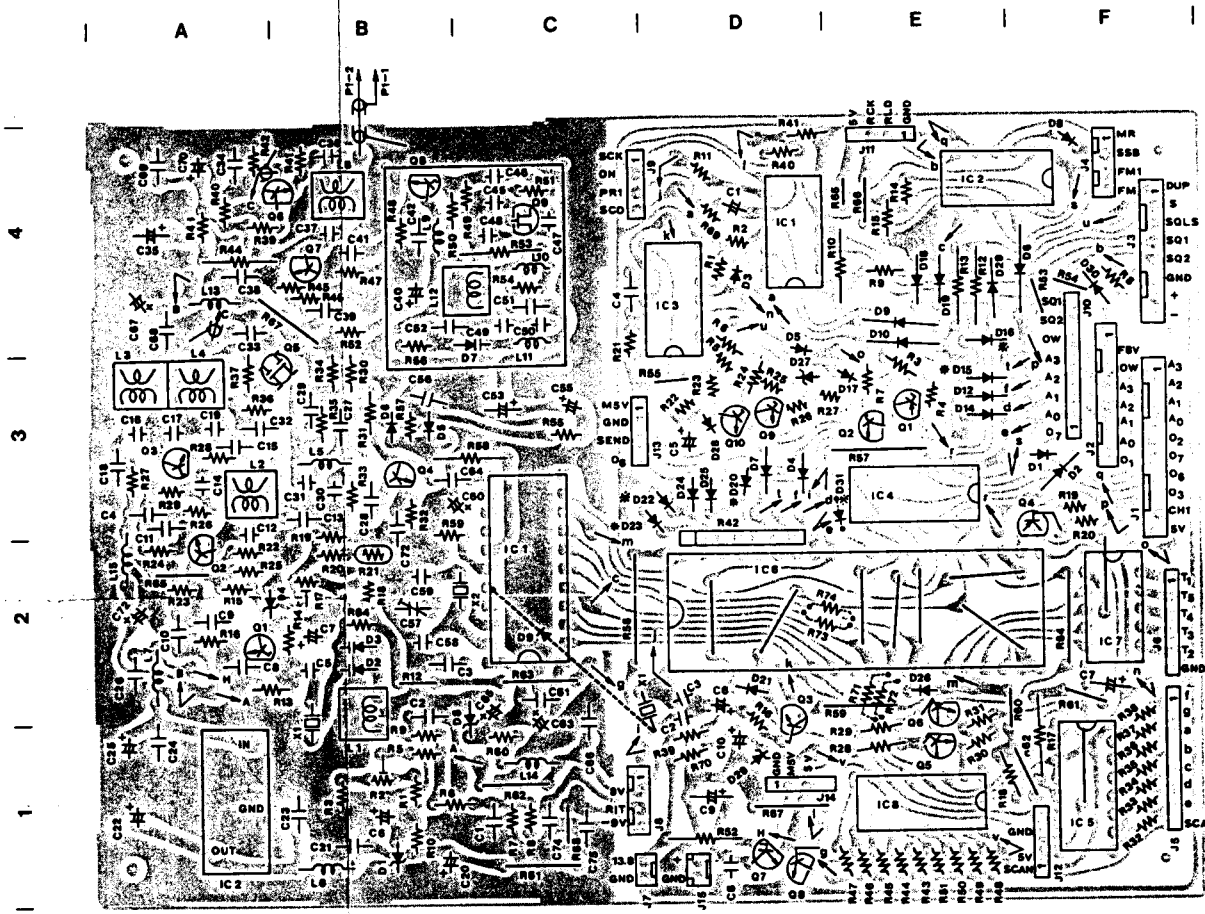
UNIT LAYOUT



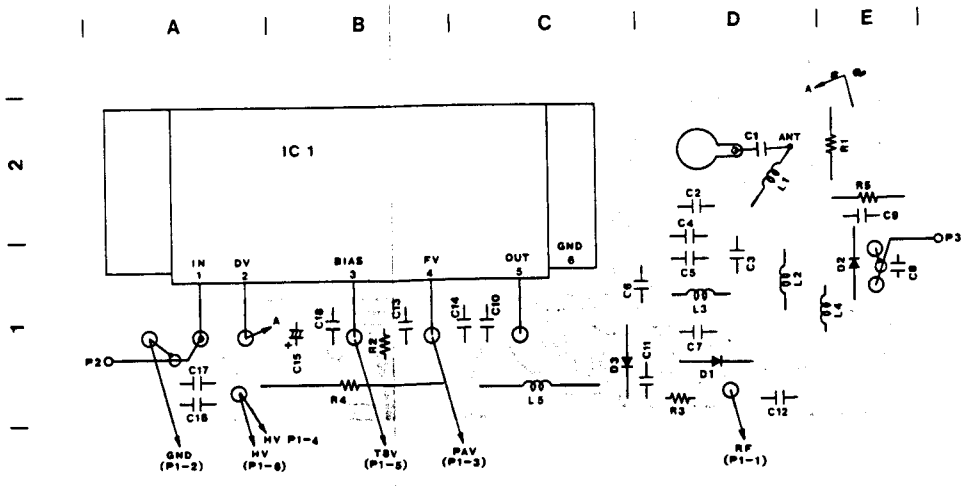
ICOM INCORPORATED

Some components subject to change for an improvement without notice.

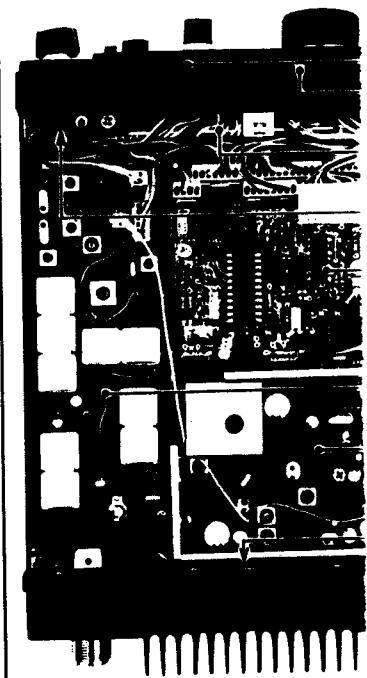
Printed in Japan



PA UNIT



UNIT LAYOUT



ICOM INCO

A | B | C | D | E | F

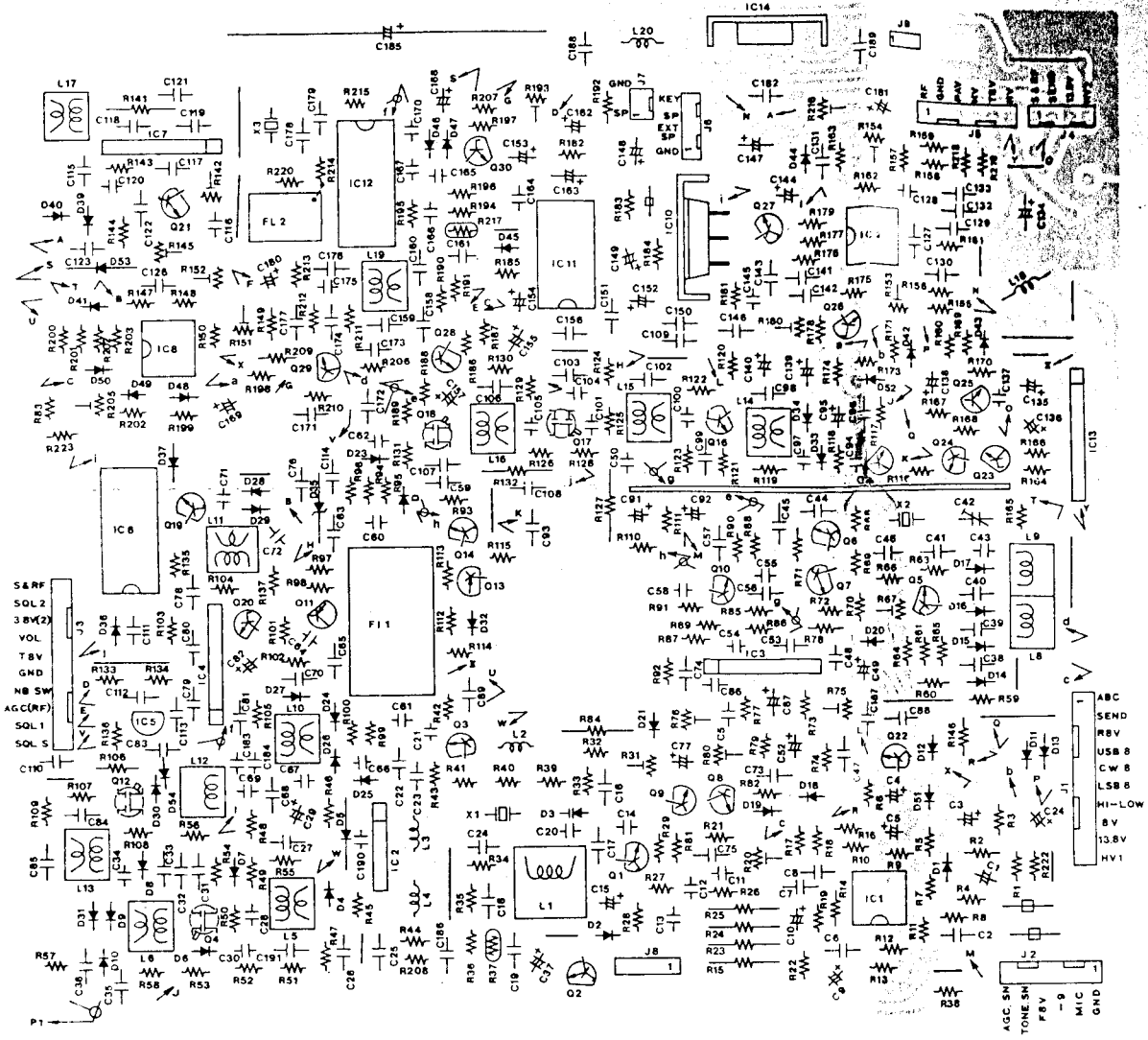
5

4

3

2

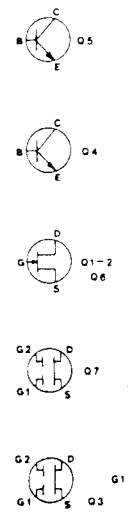
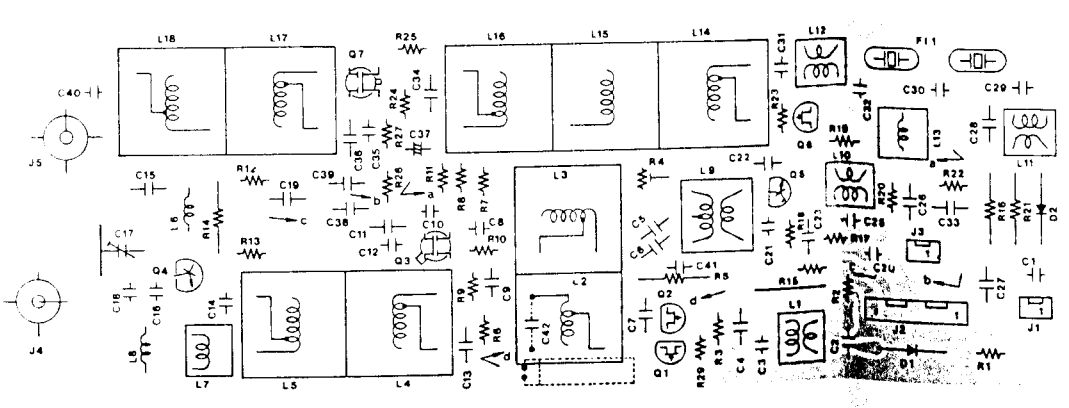
1



A | B | C | D | E | F

2

1



IC-290A/E

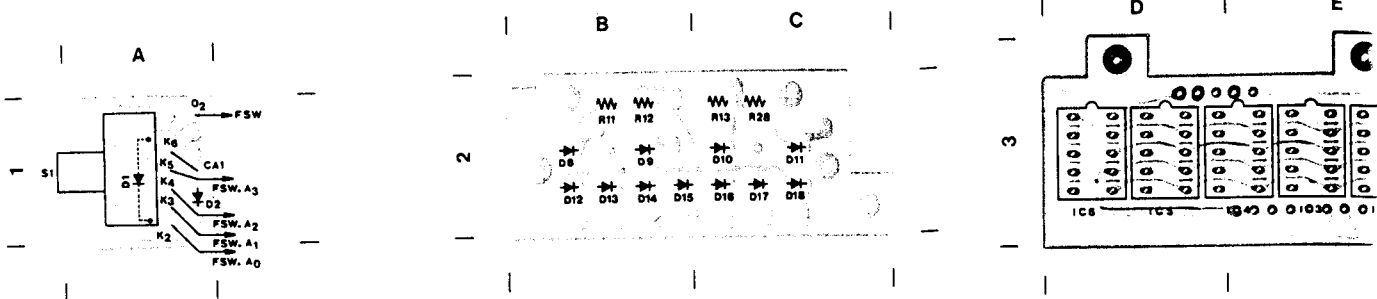
BOARD LAY

EF UNIT

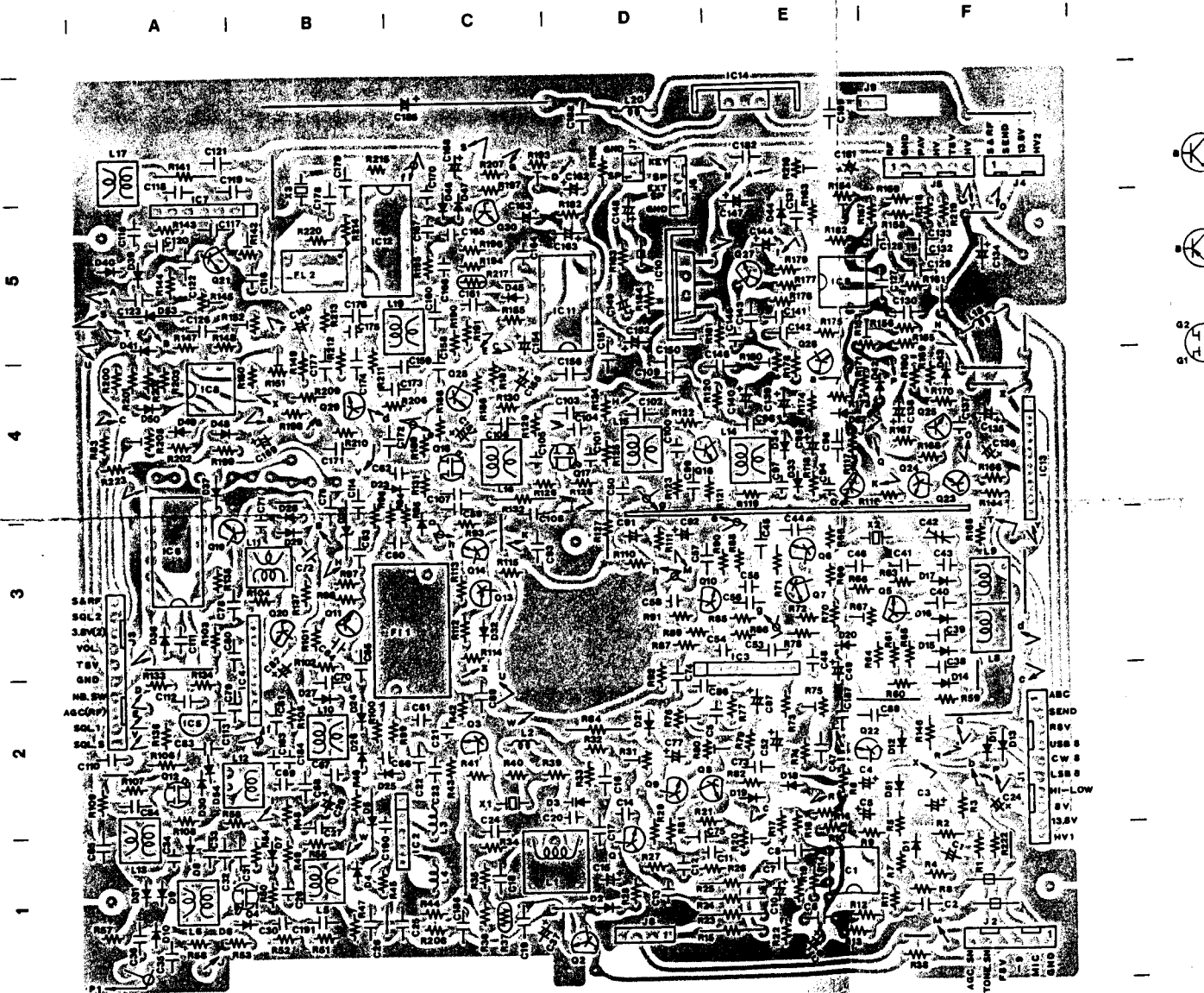
■ CH SW BOARD

■ LED BOARD

■ DISPLAY BOARD

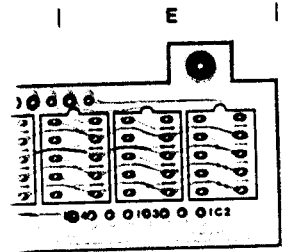


MAIN UNIT

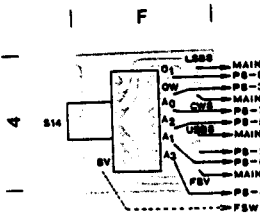


LAYOUT

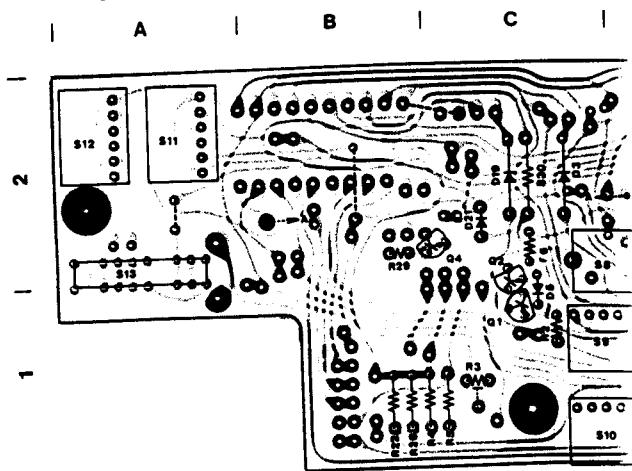
Y BOARD



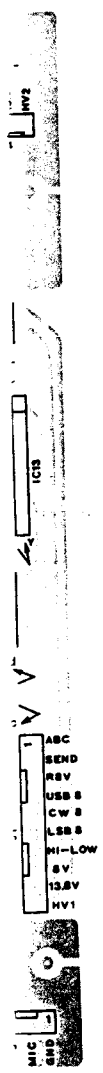
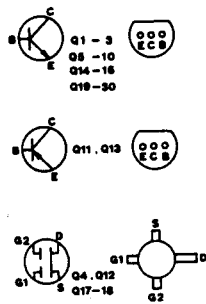
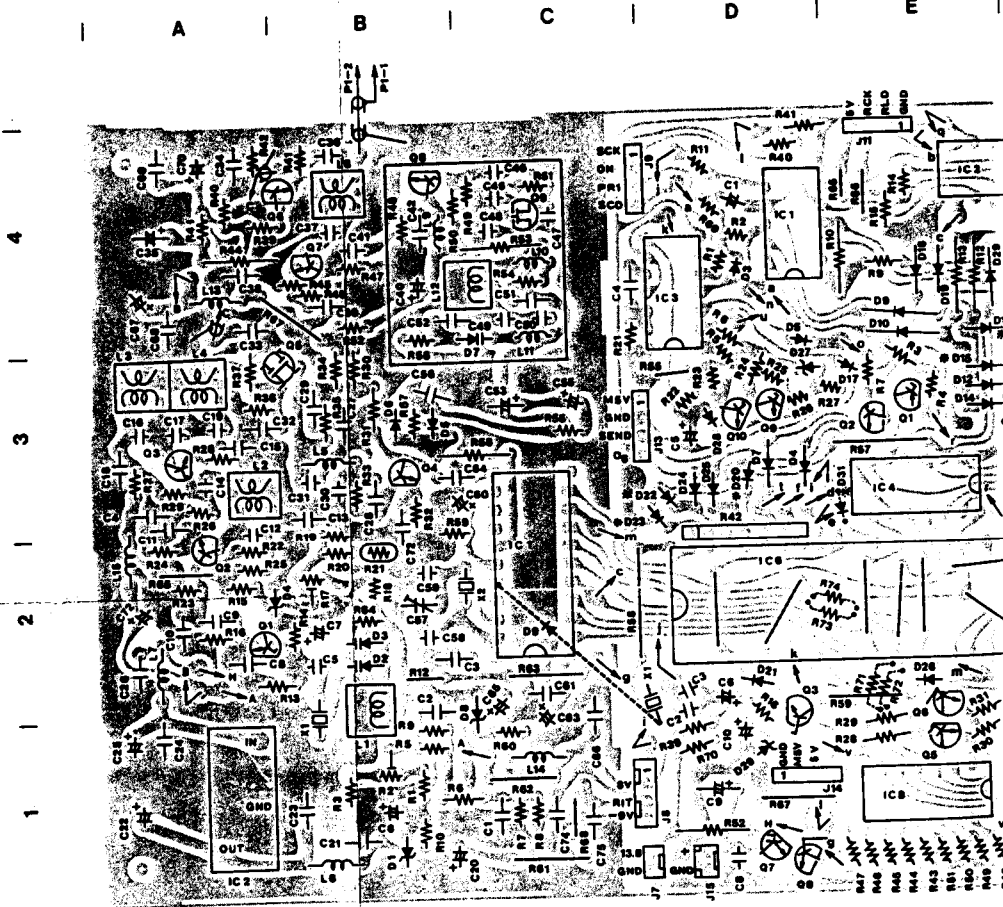
M SW BOARD



F SW BOARD



PLL LOGIC UNIT



PA UNIT