



SERVICE MANUAL

DUAL BAND TRANSCEIVER

ID-5100A
ID-5100E

S-15103XZ-C1
June 2014

Icom Inc.

INTRODUCTION

This service manual describes the latest technical information for the **ID-5100A** and **ID-5100E** DUAL BAND TRANSCEIVER, at the time of publication.

MODEL	VERSION	TX OUTPUT POWER
ID-5100A	TPE	25 W
	USA	50 W
	KOR	
	EXP	
ID-5100E	EUR	
	ITR	

CAUTION

NEVER connect the transceiver to an AC outlet or to a DC power supply that uses more than the specified voltage. This will ruin the transceiver.

DO NOT expose the transceiver to rain, snow or liquids.

DO NOT reverse the polarities of the power supply when connecting the transceiver.

DO NOT apply an RF signal of more than 20 dBm (100 mW) to the antenna connector. This could damage the transceiver's front-end.

To upgrade quality, any electrical or mechanical parts and internal circuits are subject to change without notice or obligation.



ORDERING PARTS

Be sure to include the following four points when ordering replacement parts:

1. 10-digit Icom part number
2. Component name
3. Equipment model name and unit name
4. Quantity required

<ORDER EXAMPLE>

1110003491 S.IC TA31136FNG ID-5100A MAIN UNIT 5 pieces
8820001210 Screw 2438 screw ID-5100A Top cover 10 pieces

Addresses are provided on the inside back cover for your convenience.

REPAIR NOTES

1. Make sure that the problem is internal before dis-assembling the transceiver.
2. **DO NOT** open the transceiver until the transceiver is disconnected from its power source.
3. **DO NOT** force any of the variable components. Turn them slowly and smoothly.
4. **DO NOT** short any circuits or electronic parts. An insulated tuning tool **MUST** be used for all adjustments.
5. **DO NOT** keep power ON for a long time when the transceiver is defective.
6. **DO NOT** transmit power into a Standard Signal Generator or a Sweep Generator, otherwise the RF power may damage them.
7. **ALWAYS** connect a 50 dB to 60 dB attenuator between the transceiver and a Deviation Meter or Spectrum Analyzer, when using such test equipment.
8. **READ** the instructions of the test equipment thoroughly before connecting it to the transceiver.

TABLE OF CONTENTS

SECTION 1	SPECIFICATIONS	
SECTION 2	INSIDE VIEWS	
SECTION 3	DISASSEMBLY INSTRUCTION	
SECTION 4	CIRCUIT DESCRIPITON	
4-1	RECEIVER CIRCUITS.....	4-1
4-2	TRANSMITTER CIRCUITS.....	4-3
4-3	FREQUENCY SYNTHESIZER CIRCUITS	4-5
4-4	VOLTAGE BLOCK DIAGRAM	4-6
4-5	PORT ALLOCATIONS	4-6
SECTION 5	ADJUSTMENT PROCEDURES	
5-1	PREPARATION	5-1
5-2	FREQUENCY ADJUSTMENT	5-2
5-3	TRANSMIT ADJUSTMENTS	5-3
5-4	RECEIVE ADJUSTMENTS.....	5-5
SECTION 6	PARTS LIST	
SECTION 7	MECHANICAL PARTS	
SECTION 8	BOARD LAYOUTS	
SECTION 9	BLOCK DIAGRAM	
SECTION 10	VOLTAGE DIAGRAM	

■ General

- Frequency coverage:

EUR	RX	118–174 MHz ^{*1} , 375–550 MHz ^{*2}
	TX	144–146 MHz, 430–440 MHz
ITR	RX	118–136.99166 MHz ^{*3} , 144–146 MHz, 430–434 MHz, 435–438 MHz
	TX	144–146 MHz, 430–434 MHz, 435–438 MHz
TPE	RX	144–146 MHz, 430–432 MHz
	TX	144–146 MHz, 430–432 MHz
USA	RX	118–174 MHz ^{*4} , 375–550 MHz ^{*5}
	TX	144–148 MHz, 430–450 MHz ^{*5}
KOR	RX	144–146 MHz, 430–440 MHz
	TX	144–146 MHz, 430–440 MHz
EXP	RX	118–174 MHz ^{*4} , 375–550 MHz ^{*2}
	TX	137–174 MHz ^{*4} , 400–470 MHz ^{*2}

^{*1} Guaranteed only 144–146 MHz, ^{*2} Guaranteed only 430–440 MHz, ^{*3} Not guaranteed,

^{*4} Guaranteed only 144–148 MHz, ^{*5} Guaranteed only 440–450 MHz

- Mode: F2D/F3E (FM/FM-N), F7W (DV), A3E (AM/AM-N) RX only
- Number of memory channels: 1000 channels
- Number of program scan channels: 25 channels (2 edge frequencies in each channel)
- Number of call channels: 4 channels (2 channels × 2 bands)
- Antenna connector: SO-239
- Antenna impedance: 50 Ω
- Usable temperature range: –10°C to +60°C; +14°F to +140°F
- Frequency stability: ±2.5 ppm (–10°C to +60°C; +14°F to +140°F)
- Digital transmission speed: 4.8 kbps
- Voice coding speed: 2.4 kbps
- Frequency resolution: 5 kHz, 6.25 kHz, 8.33 kHz, 10 kHz, 12.5 kHz, 15 kHz, 20 kHz, 25 kHz, 30 kHz, 50 kHz
(The 8.33 kHz step is selectable only when the VHF air band is selected.)
- Power supply: 13.8 V DC ±15% (negative ground)
- Current drain:
 - Transmit
 - Maximum current drain: ≤ 10.5 A (TPE version)
≤ 13.0 A (Other versions)
 - Receive
 - Standby: ≤ 1.2 A
 - Maximum audio: ≤ 1.8 A
- Dimensions (projections not included):
 - Main unit: 150(W) × 40(H) × 172.6(D) mm; 5.9(W) × 1.6(H) × 6.8(D) inch
 - Controller: 182.2(W) × 24.8(H) × 81.5(D) mm; 7.2(W) × 1.0(H) × 3.2(D) inch
- Weight (approximately):
 - Main unit: 1.3 kg; 2.9 lb
 - Controller: 260 g; 9.2 oz

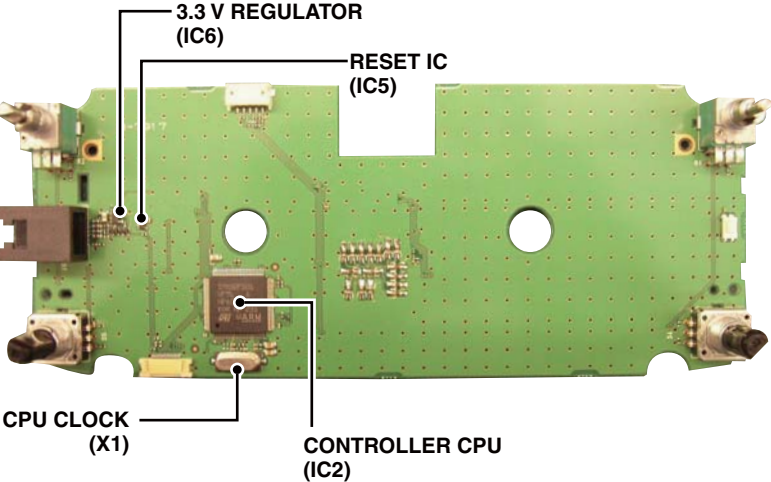
■ Transmitter

- Modulation system:
 - FM/FM-N Variable reactance frequency modulation
 - DV GMSK reactance frequency modulation
- Maximum Deviation:
 - FM $\leq \pm 5.0$ kHz
 - FM-N $\leq \pm 2.5$ kHz
- Microphone impedance: 600 Ω
- Spurious emission: ≤ -60 dBc
- Output power: High 25 W, Mid 15 W, Low 5 W (TPE version)
High 50 W, Mid 15 W, Low 5 W (Other versions)

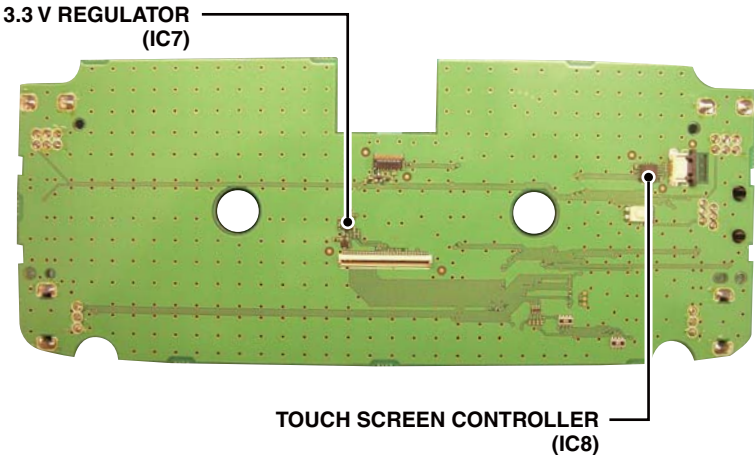
■ Receiver

- Receive system: Double superheterodyne system
- IF frequencies:
 - Band A 1st IF 38.85 MHz
 - 2nd IF 450 kHz
 - Band B 1st IF 46.35 MHz
 - 2nd IF 450 kHz
- Sensitivity (except spurious points)
 - Amateur bands
 - FM/FM-N (12 dB SINAD) ≤ 0.18 μ V
 - DV (BER 1%) ≤ 0.28 μ V
 - Except Amateur bands
 - FM/FM-N (12 dB SINAD)
 - ≤ 0.32 μ V (137.000 to 159.995 MHz)
 - ≤ 0.56 μ V (160.000 to 174.000 MHz)
 - ≤ 0.56 μ V (375.000 to 399.995 MHz)
 - ≤ 0.32 μ V (400.000 to 499.995 MHz)
 - ≤ 0.56 μ V (500.000 to 550.000 MHz)
 - ≤ 1 μ V (118.000 to 136.99166 MHz)
 - AM (10 dB S/N) ≤ 1 μ V (118.000 to 136.99166 MHz)
- Squelch sensitivity: ≤ 0.13 μ V (Threshold)
- Selectivity:
 - FM ≥ 60 dB
 - FM-N ≥ 55 dB
 - DV ≥ 50 dB
- Spurious and image rejection ratio:
 - ≥ 60 dB
 - ≥ 55 dB (A band UHF)
- AF output power: ≥ 2.0 W (at 10% distortion with an 8 Ω load)
- AF output impedance: 8 Ω

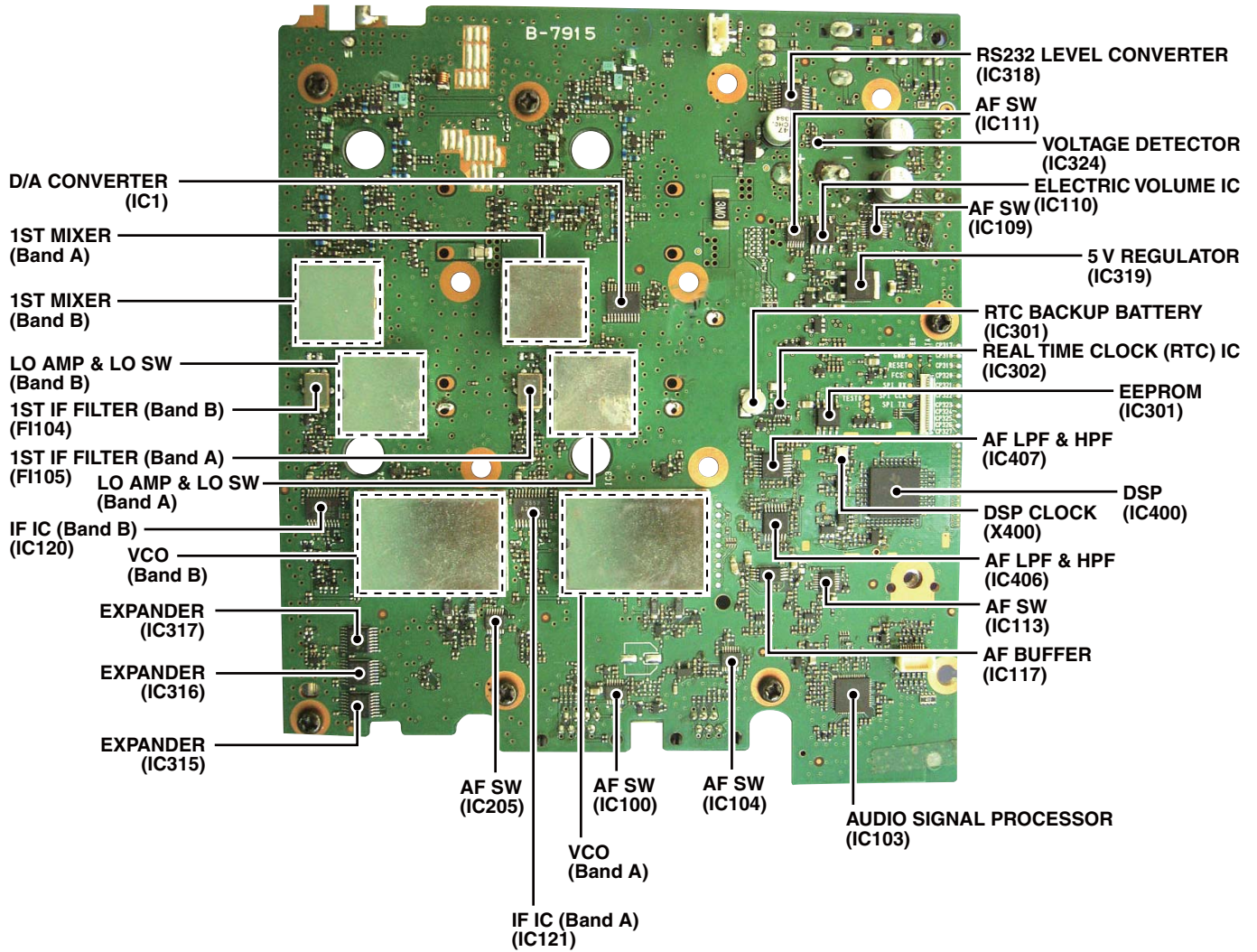
**• CONTROL UNIT
(TOP VIEW)**



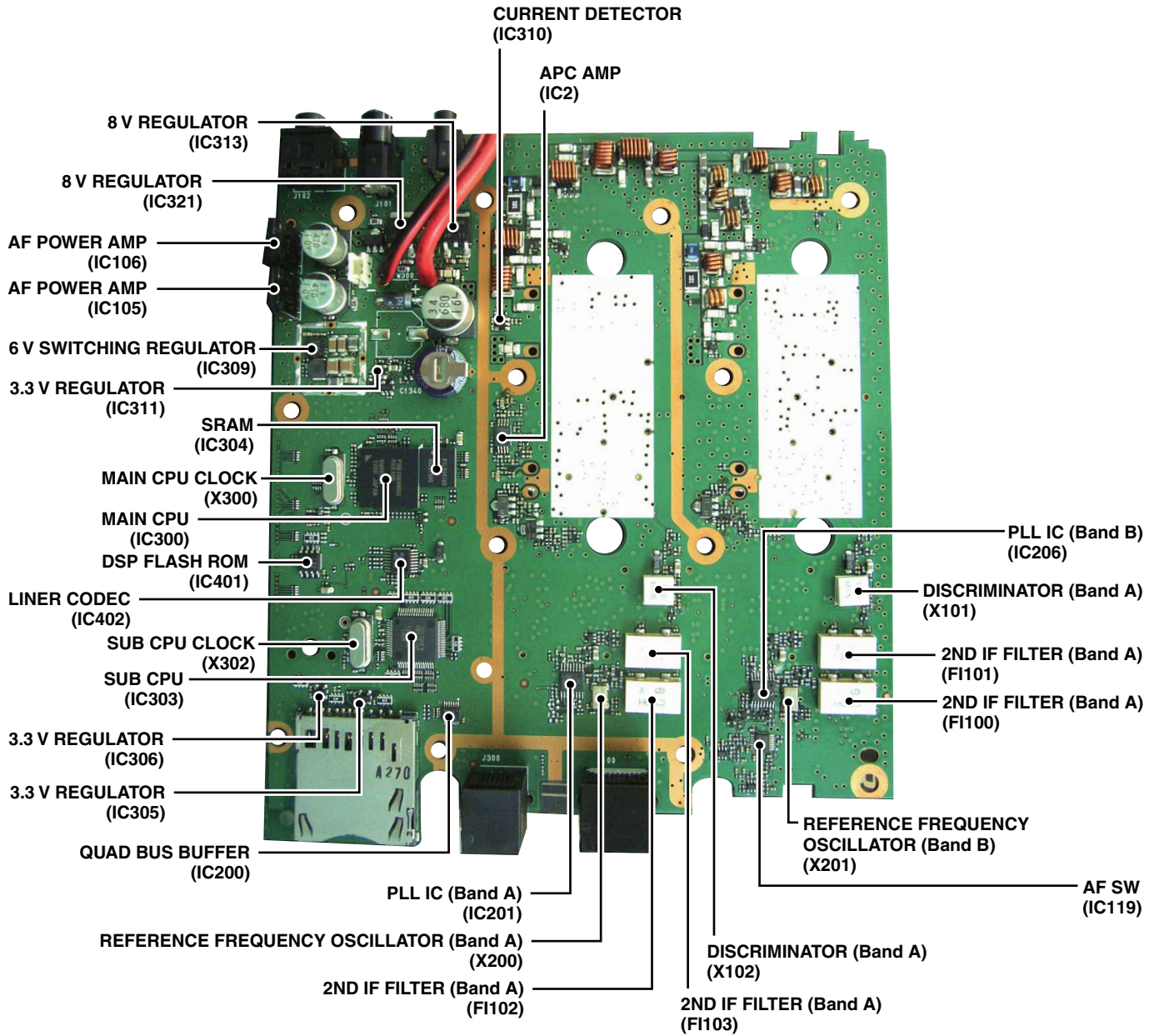
**• CONTROL UNIT
(BOTTOM VIEW)**



• MAIN UNIT
(TOP VIEW)



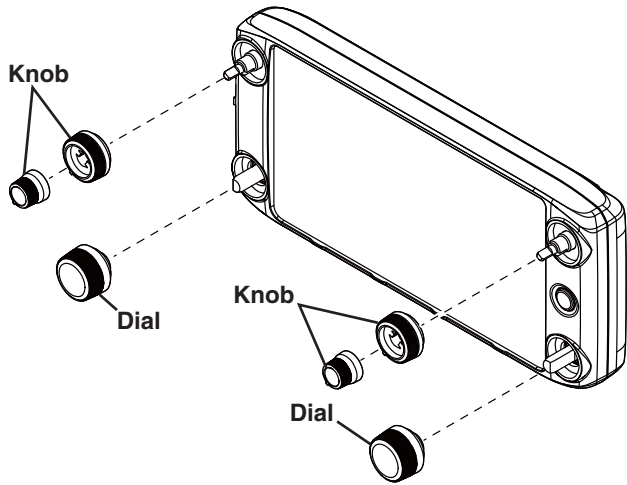
• MAIN UNIT
(BOTTOM VIEW)



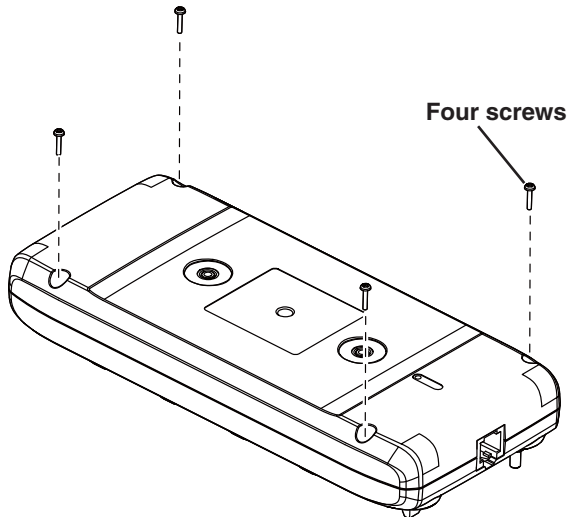
SECTION 3 DISASSEMBLY INSTRUCTION

■ Removing the CONTROL UNIT from the controller.

1) Remove two dials and four knobs from the front panel.



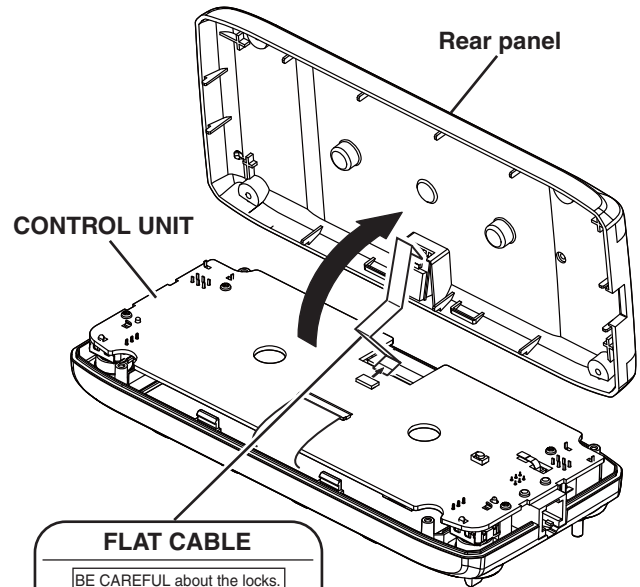
2) Remove four screws from the rear panel.



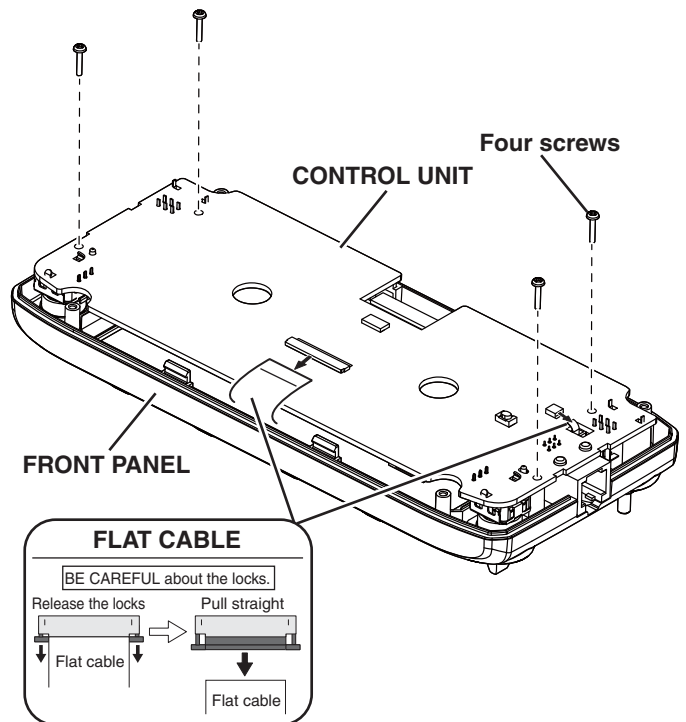
(Continued on the right above.)

3) Take off the rear panel carefully in the direction of the arrow, and then disconnect the flat cable.

BE CAREFUL when you disassemble the rear panel from the CONTROL UNIT. Otherwise the **flat cable** and the **connector** may be cut.



4) Disconnect two flat cables.
5) Remove four screws from the CONTROL UNIT.
6) Remove the CONTROL UNIT from the front panel.

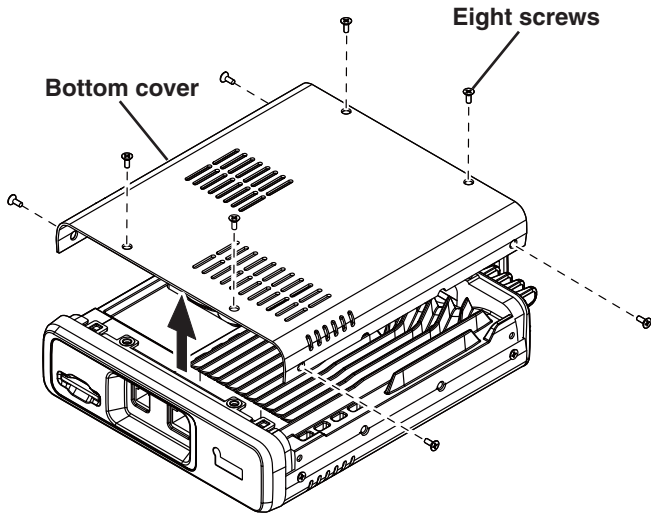


■ Removing the MAIN UNIT from the chassis.

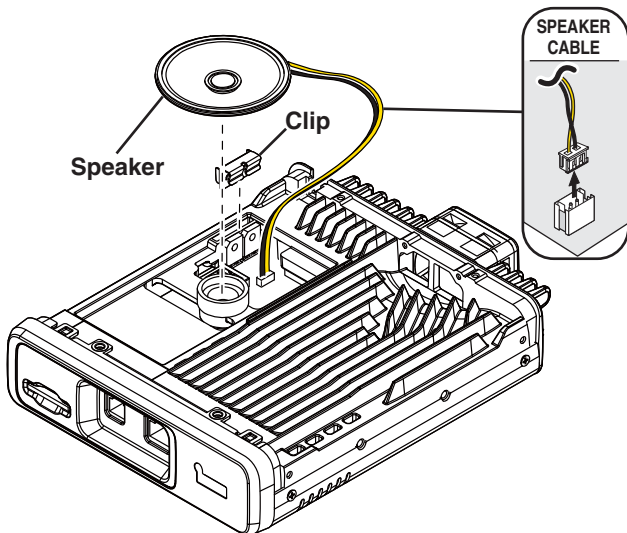
Before disassembling:

REMOVE the SD card if inserted. Otherwise the MAIN UNIT and chassis cannot be separated.

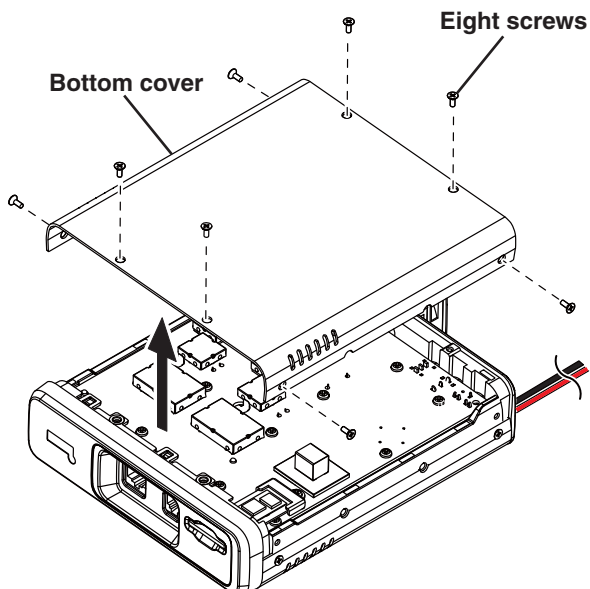
- 1) Remove eight screws from the top cover.



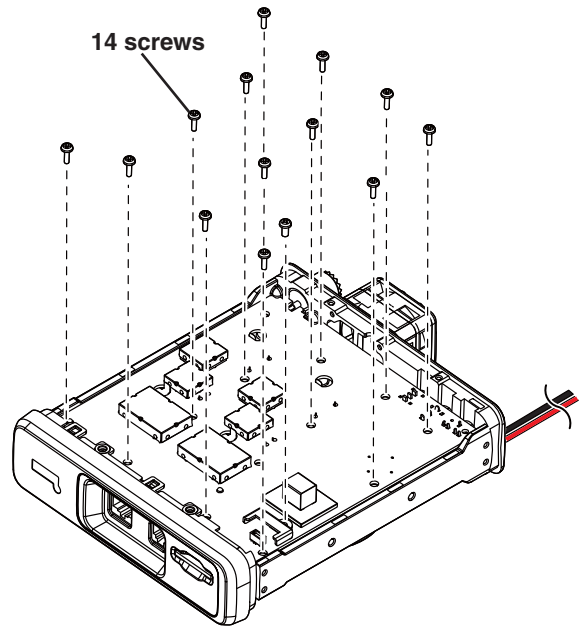
- 2) Remove the clip and disconnect the speaker cable.



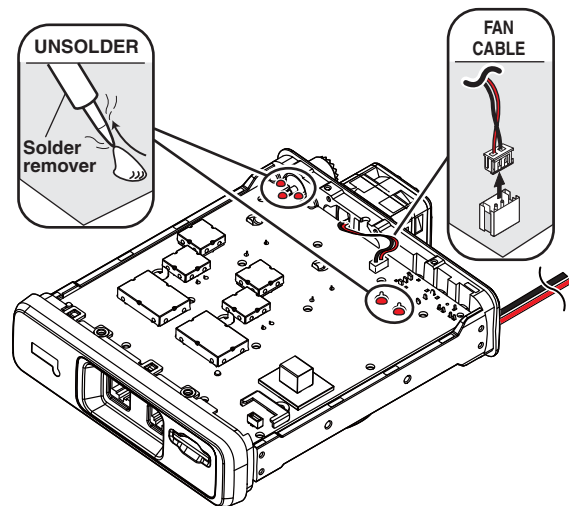
- 3) Remove eight screws from the bottom cover.



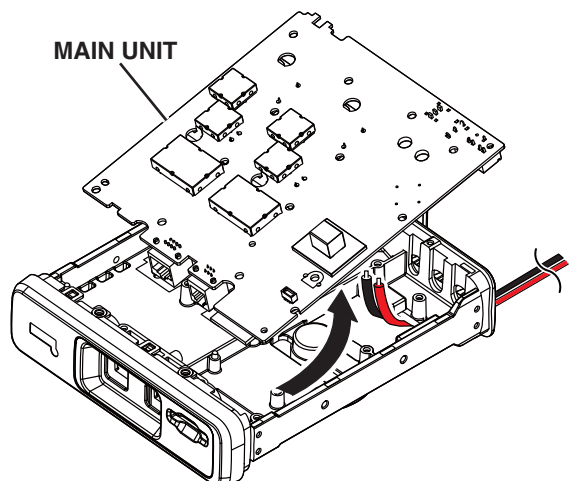
- 4) Remove total of 14 screws from the MAIN UNIT.



- 5) Disconnect the cooling fan cable, and unsolder five points (at the antenna connector and the DC cable).



- 6) Remove the MAIN UNIT from the chassis in the direction of the arrow.



(Continued on the right above.)

4-1 RECEIVE CIRCUITS

RF CIRCUITS (MAIN UNIT)

VHF BAND (108–174 MHz)

The RF signal from the antenna is passed through two LPFs (L90, L94, L96, C409, C418 and L79, L83, L87, C378, C386, C394), ANT SW (D66, D69, D70 and D77), and then applied to the RF AMP (Q24).

• Band A

The amplified signal is passed through the ATT (D34), BPF (D28, D88, L24, L26, L31 L34, C127 and C128), and then applied to another RF AMP (Q20).

The amplified signal is applied to the 1st IF circuit, through the BPF (D20, D87, L10, L18, C71 and C74) and RX circuit SW (D14).

• Band B

The amplified signal is passed through the ATT (D33), BPF (D27, D85, L23, L25, L32, L33, C125 and C126), and then applied to another RF AMP (Q19).

The amplified signal is applied to the 1st IF circuit, through the BPF (D19, D86, L9, L17, C69 and C70) and RX circuit SW (D13).

• RF CIRCUITS

UHF BAND (380–479 MHz)

The RF signal from the antenna is passed through the LPF (L90, L94, L96, C409 and C418) and HPF (L84, L88, C391, C395 and C402) and ANT SW (D68, D73, D75 and D84), and then applied to the RF AMP (Q23).

• Band A

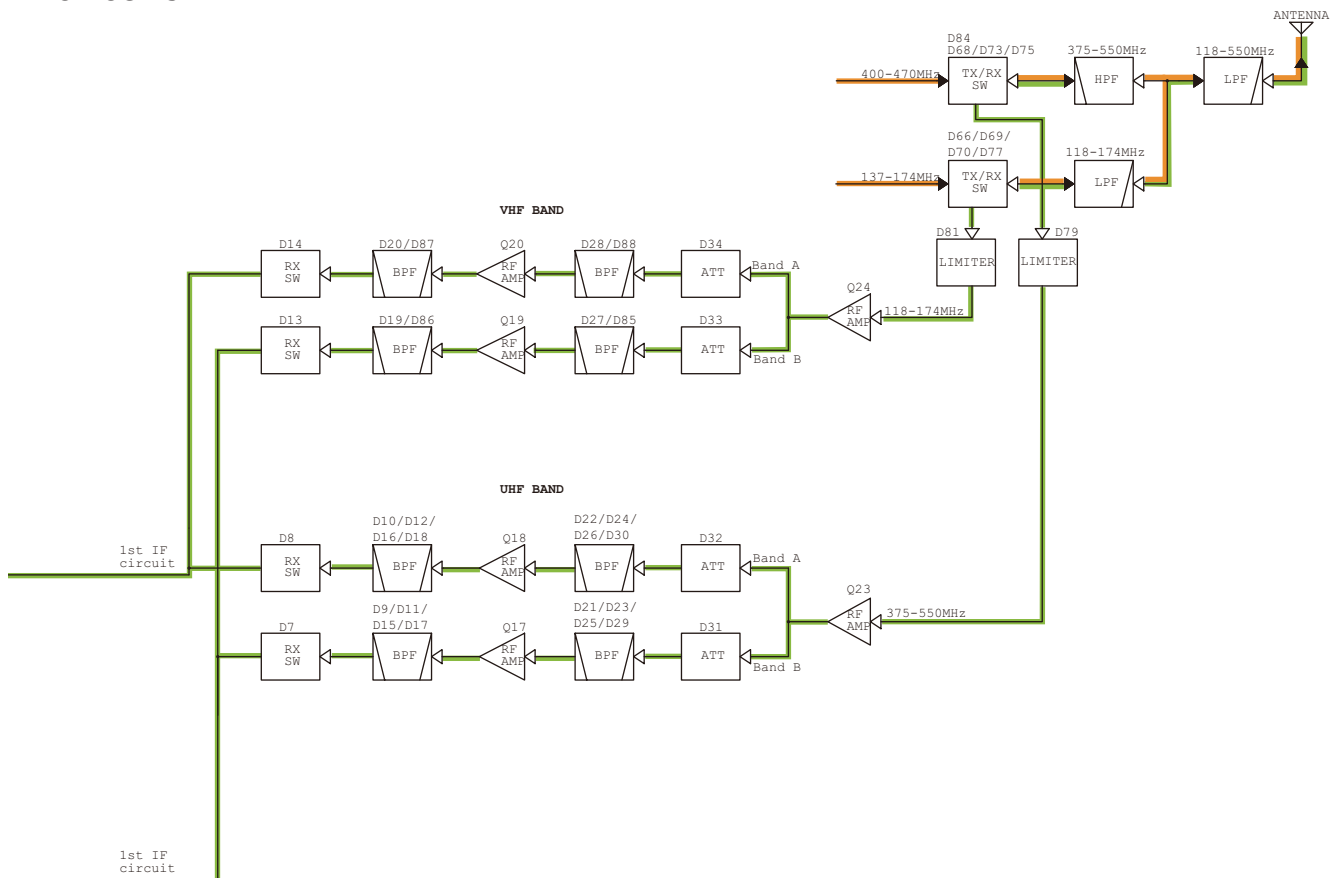
The amplified signal is passed through the ATT (D32), BPF (D24, D26, L21, L28, C113 and C114), and then applied to the RF AMP (Q18).

The amplified signal is applied to the 1st IF circuit, through the BPF (D12, D16, L4, L12, C42 and C43) and RX circuit SW (D8).

• Band B

The amplified signal is passed through the ATT (D31), BPF (D23, D25, L22, L27, C107, C111, C112 and C121), and then applied to the RF AMP (Q17).

The amplified signal is applied to the 1st IF circuit, through the BPF (D11, D15, L3, L11, C36, C40, C41 and C49) and RX circuit SW (D7).

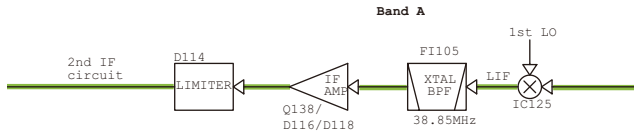


1ST IF CIRCUITS (MAIN UNIT)

• Band A

The RX signal from the RF circuit is applied to the 1st mixer (IC125) and mixed with the 1st LO signal, resulting in the 38.85 MHz 1st IF signal. The converted signal is passed through the 1st IF filter (FI105), and then applied to the 1st IF AMP (Q138). The amplified signal is applied to the 2nd IF circuit, through the limiter (D114).

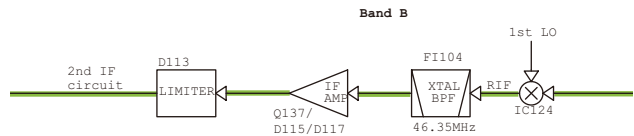
• 1ST IF CIRCUITS (Band A)



• Band B

The RX signal from the RF circuit is applied to the 1st mixer (IC124) and mixed with the 1st LO signal, resulting in the 46.35 MHz 1st IF signal. The converted signal is passed through the 1st IF filter (FI104), and then applied to the 1st IF AMP (Q137). The amplified signal is applied to the 2nd IF circuit, through the limiter (D113).

• 1ST IF CIRCUITS (Band B)



2ND IF CIRCUITS (MAIN UNIT)

• Band A

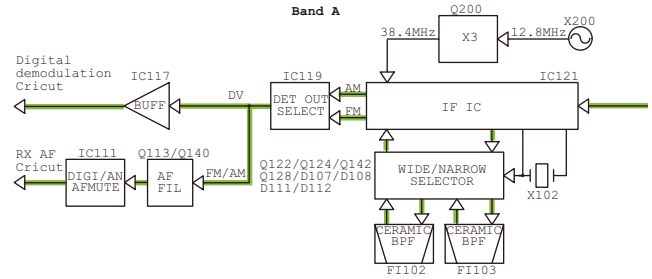
The 1st IF signal from the 1st IF circuit is applied to the IF IC (IC121, pin 20), which contains the 2nd IF AMP, 2nd mixer, FM demodulator, and so on.

The 1st IF signal is mixed with the 38.4 MHz 2nd LO signal, resulting in the 450 kHz 2nd IF signal. The converted signal is passed through the external 2nd IF filter (FM mode: FI103, FM-N or DV mode: FI102) to remove sideband noise.

While operating in the FM or AM mode, the filtered signal is amplified by the 2nd IF AMP, and then demodulated by the internal demodulator circuit. The demodulated signal is applied to the RX AF circuit, through the RX mode SW (IC119), AF filter (Q113 and Q140) and AF SW (IC111).

While operating in the DV mode, the filtered signal is amplified by the 2nd IF AMP, and then demodulated by the internal demodulator circuit. The demodulated signal is applied to the digital demodulation circuit, through the RX mode SW (IC119) and buffer AMP (IC117).

• 2ND IF CIRCUITS (Band A)



• Band B

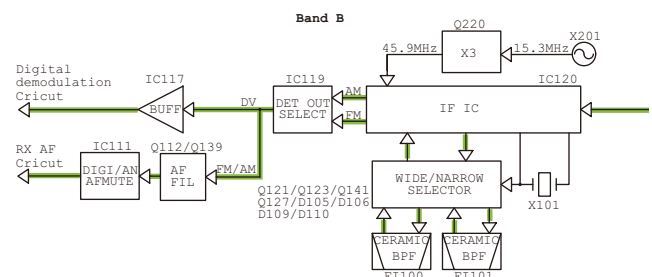
The 1st IF signal from the 1st IF circuit is applied to the IF IC (IC120, pin 20), which contains the 2nd IF AMP, 2nd mixer, FM demodulator, and so on.

The 1st IF signal is mixed with the 45.9 MHz 2nd LO signal, resulting in the 450 kHz 2nd IF signal. The converted signal is passed through the external 2nd IF filter (FM mode: FI101, FM-N or DV mode: FI100) to remove sideband noise.

While operating in the FM or AM mode, the filtered signal is amplified by the 2nd IF AMP, and then demodulated by the internal demodulator circuit. The demodulated signal is applied to the RX AF circuit, through the RX mode SW (IC119), AF filter (Q112 and Q139) and AF SW (IC111).

While operating in the DV mode, the filtered signal is amplified by the 2nd IF AMP, and then demodulated by the internal demodulator circuit. The demodulated signal is applied to the digital demodulation circuit, through the RX mode SW (IC119) and buffer AMP (IC117).

• 2ND IF CIRCUITS (Band B)



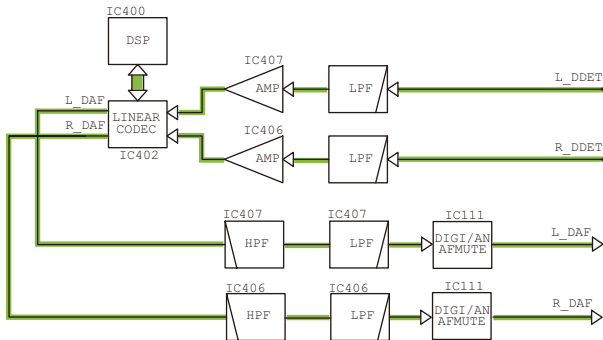
DIGITAL DEMODULATION CIRCUIT (MAIN UNIT)

While operating in the DV mode, the demodulated signal (digital audio signal) is passed through the LPF (Band A: R1195, R1206, C1461 and C1475/Band B: R1194, R1205, C1460 and C1474) and amplified by the AF AMP (Band A: IC407/Band B: IC406). The amplified signal is applied to the linear codec (IC402) to be converted into the digital audio signal.

The digital audio signal is demodulated by the DSP (IC400), and then applied to the linear codec (IC402) again, to be decoded into an analog audio signal.

The decoded AF signal is applied to the RX AF circuit, through the HPF (Band A: IC407/Band B: IC406) and LPF (Band A: IC407/Band B: IC406) and AF SW (IC111).

• DIGITAL DEMODULATION CIRCUIT



RX AF CIRCUIT (MAIN UNIT)

The demodulated AF signal from the AF SW (IC111) is applied to the electric volume (IC110), which separately adjusts the A and B bands AF signal in level. The level-adjusted AF signal is passed through the AF line SW (IC109).

When the AF signal is output from the internal speaker or [SP1] jack:

The AF signal is passed through two speaker mute SWs (Q105 and Q104), and then amplified by the AF power AMP (IC105).

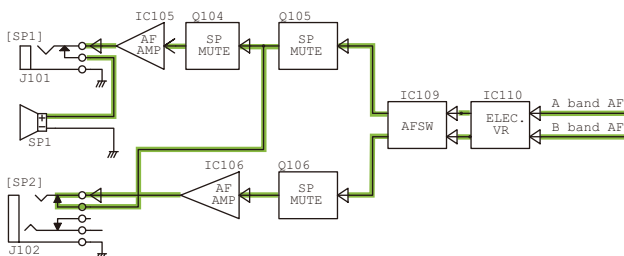
The amplified AF signal is output to the internal speaker (CHASSIS: SP1) or external speaker, through the [SP1] jack (J101).

When the AF signal is output from the [SP2] jack:

The AF signal is passed through the speaker mute SW (Q106), and then amplified by the AF power AMP (IC106).

The amplified AF signal is applied to the [SP2] jack (J102).

• RX AF CIRCUITS



4-2 TRANSMIT CIRCUITS

TX AF CIRCUIT (MAIN UNIT)

The AF signal from the microphone (MIC signal) is passed through the MIC SW (IC100) and ATT (IC100), and then applied to the MIC AMP (IC102).

The amplified signal is applied to the audio processor LSI (IC103), through the mute SW (IC104).

The audio processor LSI contains 16-bit linear CODEC, MIC AMP, audio filters, D/A converter, and so on.

• When operating in the DV mode

The applied signal is further amplified by the ALC AMP. The amplified signal is applied to the linear CODEC, to be encoded into a digital audio signal.

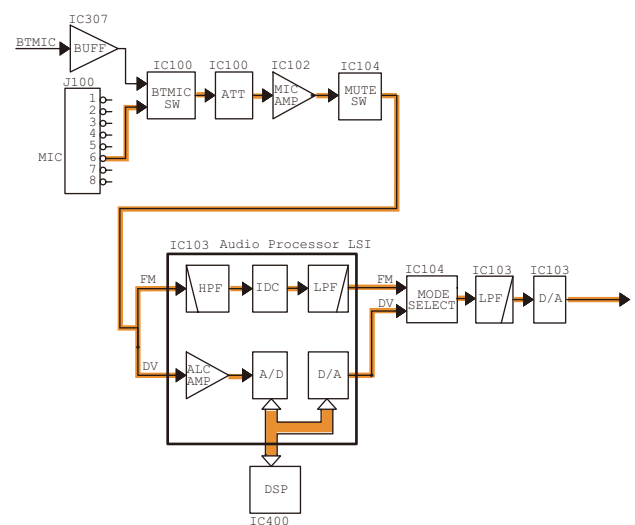
The digital audio signal is processed by the DSP (IC400), and then passed through the mode SW (IC104) and LPF (IC103), and then applied to the D/A converter (IC103), to be adjusted in level.

• When operating in the FM/FM-N mode

The applied signal is passed through the HPF (IC103), IDC (IC103), LPF (IC103), mode SW (IC104) and LPF (IC103), and then applied to the D/A converter (IC103) to be adjusted in level.

The level-adjusted signal is applied to the modulation circuit.

• TX AF CIRCUIT



MODULATION CIRCUITS (MAIN UNIT)

The MIC signal from the TX AF circuits is applied to the VCO as the GMSK (For the DV mode) or Frequency Modulation (For the FM mode) modulation signal.

VHF BAND

The modulation signal is applied to the VHF VCO (Q211, D203, D204 and D228).

The modulated VCO output signal is amplified by the buffer (Q215) and LO AMP (IC203), and then applied to the TX AMP circuits as the TX signal, through the LO SW (D50).

UHF BAND

The modulation signal is applied to the UHF VCO (Q232, D223, D224 and D227) as a modulation signal.

The modulated VCO output signal is amplified by the buffer (Q235) and LO AMP (IC208), and then applied to the TX AMP circuits as the TX signal, through the LO SW (D52).

TX AMP CIRCUITS (MAIN UNIT)

VHF BAND

The TX signal is passed through the LPF (L50, L51, C215, C220 and C225) and ATT (R146, R147 and R151), and then sequentially amplified by the YGR (Q36), drive AMP (Q40) and power AMP (IC3).

The amplified TX signal is passed through the LPF (L67, C291 and C297), TX output power detector (D59 and D63), ANT SW (D66) and two LPFs (L90, L94, L96, C409, C418 and L79, L83, L87, C378, C386, C394), before being applied to the antenna.

UHF BAND

The TX signal is passed through the HPF (L52 and C232) and ATT (R155, R156 and R162), and then sequentially amplified by the YGR (Q38), drive AMP (Q41) and power AMP (IC4).

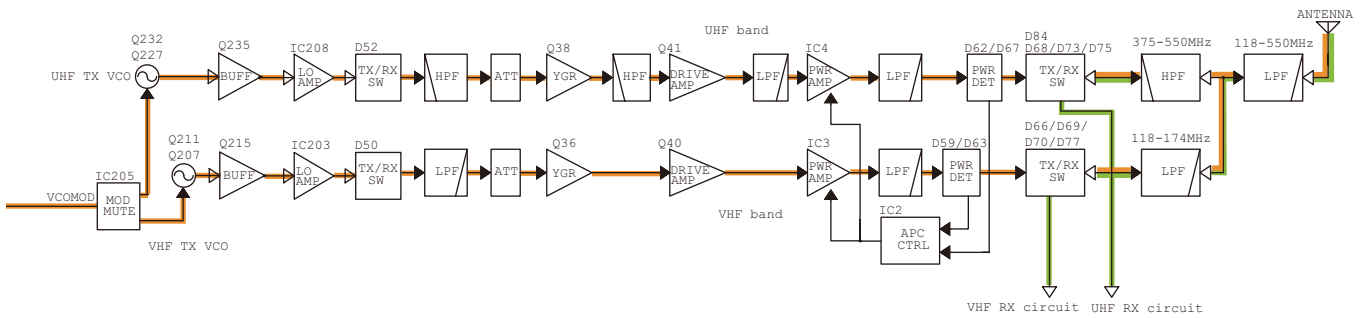
The amplified TX signal is passed through the LPF (L69, C310 and C319), TX output power detector (D62 and D67), ANT SW (D68 and D84), HPF (L84, L88, C391, C395 and C402) and LPF (L90, L94, L96, C409, C418), before being applied to the antenna.

APC CIRCUITS (MAIN UNIT)

At the TX output power detector, the RF signal at the LPFs (VHF band: L68, C301, C302 and C326/UHF band: L73, C322, C323 and C350) is rectified by the diodes (VHF band: D59 and D63, UHF band: D62 and D67), and it is used as the TX power sensing voltage.

The voltage is applied to the APC AMP (IC2), and the output voltage controls the bias voltages of the power AMP (VHF band: IC3, UHF band: IC4) to keep the TX output power constant.

• TX AMP AND APC CIRCUITS



4-3 FREQUENCY SYNTHESIZER CIRCUIT (MAIN UNIT)

VCOs

The ID-5100A/E has total of five VCOs: three VCOs for Band A and another two for Band B.

• Band A

VHF VCO #1

(Used when the Heterodyne function is set to "Normal")

The VHF VCO #1 (Q211, D204, D206 and D228) generates both 1st LO signal (for receiving a VHF signal on Band A) and the VHF TX signal. The output of buffer (Q215) is amplified by the LO AMP (IC203), and then used as the VHF TX/RX LO signal.

While receiving, the LO signal is applied to the 1st IF mixer (IC125) for receiving a signal on the VHF band, through the RX LO SW (D212 and D217) and LPF (L314, L316, C986, C992 and C997).

While transmitting, the LO signal is applied to the TX AMP circuits, through the LO SW (D50).

VHF VCO #2

(Used when the Heterodyne function is set to "Reverse")

The VHF VCO #2 (Q237, D238 and D239) generates the 1st LO signal (for receiving a VHF signal on Band A). The output of buffer (Q215) is amplified by the LO AMP (IC203), and then applied to the 1st IF mixer (IC125) for receiving a signal on the VHF band, through the RX LO SW (D212 and D217) and LPF (L314, L316, C986, C992 and C997).

UHF VCO

The UHF VCO (Q205, Q210, D201, D202 and D205) generates the 1st LO signal (for receiving a UHF signal on Band A). The output of buffer (Q214) is amplified by the LO AMP (IC203), and then applied to the 1st IF mixer (IC125), through the RX LO SW (D213 and D216) and LPF (L315, C988 and C995).

• Band B

VHF VCO

The VHF VCO (Q228, Q233, D225, D226 and D230) generates the 1st LO signal (for receiving a UHF signal on Band A). The output of buffer (Q236) is amplified by the LO AMP (IC208), and then applied to the 1st IF mixer (IC124), through the RX LO SW (D234 and D237) and LPF (L337, L339, C1103, C1105 and C1106).

UHF VCO

The UHF VCO (Q232, Q227, D223, D224, D227 and D229) generates both 1st LO signal (for receiving a UHF signal on Band B) and the UHF TX signal. The output of buffer (Q235) is amplified by the LO AMP (IC208), and then used as the UHF TX/RX LO signal.

While receiving, the LO signal is applied to the 1st IF mixer (IC124) for receiving a signal on the UHF band, through the RX LO SW (D234 and D236) and LPF (L337, C1102 and C1104).

While transmitting, the LO signal is applied to the TX AMP circuits, through the LO SW (D52).

PLL

• Band A

A portion of VHF and UHF VCOs output signal is amplified by the buffer (Q213), and then fed back to the PLL IC (IC201).

The PLL IC (IC201) phase-compares the output of reference frequency oscillator (TCXO: X200) and VCO, and the phase difference is output as the charge pump current. The current is passed through the loop filter (R715, R717, R719, R722, C924, C926 to C928 and C930) to be converted into the lock voltage, which controls the oscillating frequency of VCO.

When the oscillation frequency drifts, its phase changes from that of the reference frequency, causing a lock voltage change to compensate for the drift in the VCO oscillating frequency.

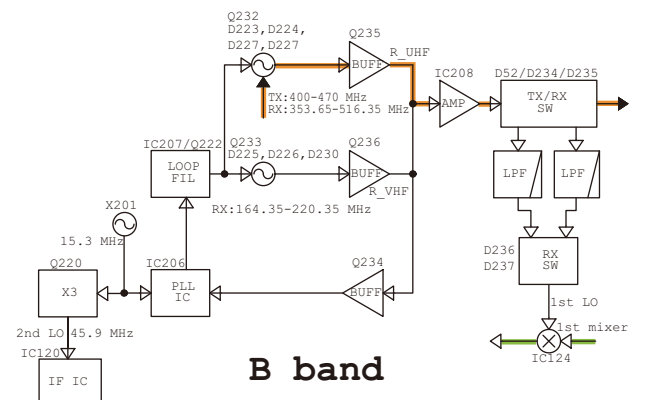
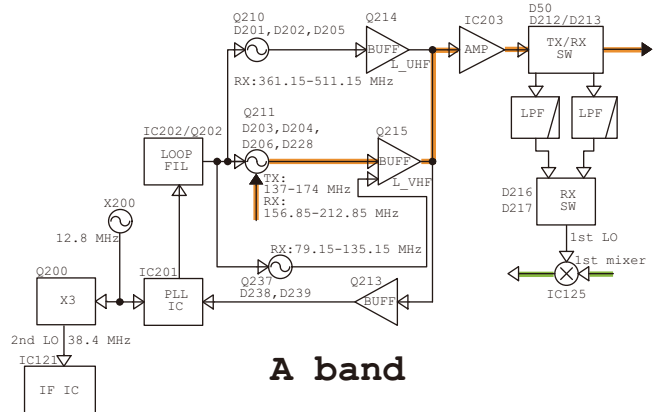
• Band B

A portion of VHF and UHF VCOs output signal is amplified by the buffer (Q234), and then fed back to the PLL IC (IC206).

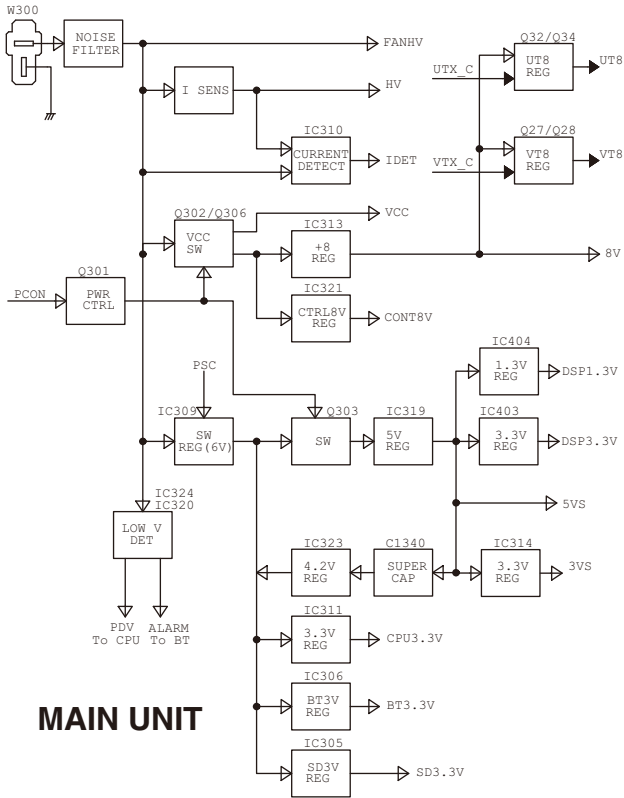
The PLL IC (IC206) phase-compares the output of reference frequency oscillator (TCXO: X201) and VCO, and the phase difference is output as the charge pump current. The current is passed through the loop filter (R797, R799, R802, R805, C1041, C1043 to C1045 and C1048) to be converted into the lock voltage, which controls the oscillating frequency of VCO.

When the oscillation frequency drifts, its phase changes from that of the reference frequency, causing a lock voltage change to compensate for the drift in the VCO oscillating frequency.

• FREQUENCY SYNTHESIZER CIRCUIT



4-4 VOLTAGE DIAGRAM



4-5 PORT ALLOCATIONS

• CONTROLLER CPU (CONTROL UNIT: IC2)

Ball No.	Line Name	Description	I/O
7	TWDTX	Touch panel controller touch sensing data.	O
14	RESET	Reset signal input.	I
15	R_VOLV	Band B [VOL] input.	I
16	R_SQLV	Band B [SQL] input.	I
17	L_VOLV	Band A [VOL] input.	I
18	L_SQLV	Band A [SQL] input.	I
25	G_TXD	GPS data.	O
26	G_RXD		I
29	DIM_DA	LCD backlit brightness control.	O
30	G_RES	GPS module (EP13) reset. L=Resets.	O
31	GPSC	GPS module (EP13) power supply control. L=GPS module is activated.	O
32	LCDRST	LCD controller reset. L=Resets.	O
33	TEMP	LCD controller temperature sensing voltage.	I
38-41	LCDD4-LCDD7	LCD control data.	I/O
47	FLTxD	Control signal to the main CPU (IC300).	O
48	FLRxD	Control signal from the main CPU (IC300).	I
51	L_DIALB	Band A [DIAL] phase-B.	I
52	L_DIALA	Band A [DIAL] phase-A.	I
53	R_DIALB	Band B [DIAL] phase-B.	I
54	R_DIALA	Band B [DIAL] phase-A.	I
58	LCDCD	LCD controller data/command select. H=While sending the control data.	O
61	LCDD0	LCD control data.	I/O
62	LCDD1		
65	TWCs	Touch panel controller chip select. L=While inputting/outputting data.	O
66	TWBUSY	Touch panel controller status. H=Busy.	I
78	TWPIRQ	Touch panel controller interrupt. L=Touching detected.	I
79	TWDCLC	Touch panel controller serial clock.	O
80	TWDRX	Touch panel controller serial data.	O
81	LCDD2	LCD control data.	O
86	LCDWR0	Touch panel controller read/write control.	O
88	LCDCS	LCD controller chip select.	O

• MAIN CPU (MAIN UNIT: IC300)

Ball No.	Line Name	Description	I/O
A4	R_LV	Lock voltage input. (Band B)	I
A6	VIN	External power supply voltage.	I
A7	L_WXALT	WX alert signal (1050 Hz). (Band A)	I
A8	MICUD	The [UP]/[DOWN] key input from the microphone.	I
A9	AUDI	Response signal from the audio IC.	I
A11	PSC	5VS power supply line control. L=While in the power save mode.	O
A12	DA_STB	D/A converter serial strobe.	O
B1	DTMF	DTMF tone, European tone and beep sound signals.	O
B4	R_RSSI	RSSI voltage. (Band B)	I
B7	IDET	Transmit current sensing voltage.	I
B8	TEMP	Transceiver temperature sensing voltage.	I
B9	AURES	Audio IC reset. L=Reset.	O
C2	DTCS	TSQL/DTCS tone filter switching control. H=While the DTCS tone is used.	O
C4	R_DTCSIN	TSQL/DTCS tone signal. (Band B)	I
C7	L_DTCSIN	TSQL/DTCS tone signal. (Band A)	I
C9	DTMUTE	Tone signal (BEEP/DTMF/ETONE) modulation mute. L=Mute.	O
C11	DSP_PD	DSP power down control. H=Power down.	O
D1	DA_DATA	Serial data to the D/A converter.	O
D2	BTRXD	Serial data from the Bluetooth® unit.	I
D4	R_WXALT	Weather alert signal (1050 Hz) detect. (Band B)	I
D5	R_LV	Lock voltage. (Band B)	I
D6	VOX	VOX sensing voltage.	I
D7	L_RSSI	RSSI voltage. (Band A)	I
D8	AUSTB	Audio IC serial strobe.	O
D11	DA_CK	Serial clock to the D/A converter.	O
E4	BTTXD	Serial data to the Bluetooth® unit.	O
G1	RESET	CPU reset signal. L=Reset.	I
G3	BT_RES	Bluetooth® unit reset signal. H=Reset.	O
G4	MIC_PTT	PTT input from the microphone.	I
H14	SCSCK	Serial clock to the sub CPU (IC303).	O
H15	SCRXD	Serial data from the sub CPU (IC303).	I
J4	RTC_IRQ	Interrupt detection from the real time clock IC. L=Alarm detected.	I
J12	BWD	The [RWD] key input from the Bluetooth® unit. L=When pushed.	I
J13	BTPLAY	The [PLAY] key input from the Bluetooth® unit. L=When pushed.	I

Ball No.	Line Name	Description	I/O
J15	BT_SW	Bluetooth® unit power supply control. H=The Bluetooth® unit is activated.	O
K1	L_SQL	Noise level detection. (Band A) H=Noise signal is detected.	I
K3	IOSTB	Expander serial strobe.	O
K14	FWD	The [FWD] key input from the Bluetooth® unit. L=When pushed.	I
K15	IOEN	Expander chip enable.	O
M1	98_DATA	Control serial data from the microphone.	I
M2	TX_DATA	Control serial data to the CPU on the CONTROL UNIT.	O
M5	DSP_STB	DSP serial strobe.	O
M7	ECK	EEPROM serial clock.	O
M8	L_UNLK	PLL unlock detection. (Band A) L=Unlocked.	I
M9	VOL_DATA	Serial data to the audio volume IC.	O
M12	TX232	UART data (RS-232C). (4800/9600/38400 bps)	O
N1	RX_DATA	Control serial data from the CPU on the CONTROL UNIT.	I
N2	SD_SENC	SD card insert detection. L=Inserted.	I
N3	SD_TXD	Serial data to the SD card.	O
N4	DSP_SI	DSP serial data.	I
N5	CLIN	CI-V/CLONE UART data. (300–38400 bps)	I
N6	RTC_SDA	Serial data to/from the real time clock IC.	I/O
N7	ESIO	EEPROM serial data.	I/O
N9	VOL_CK	Serial clock to the audio volume IC.	O
N12	DATA	Common serial clock to the D/A converter and expander.	O
N13	SCTXD	Serial data to the sub CPU (IC303).	O
P1	SD_CS	Chip select to the SD card.	O
P2	SD_SCK	Serial clock to the SD card.	O
R8	R_UNLK	PLL unlock detection. (Band B) L=Unlocked.	I
K4	DSP_REQ	DSP "REQUEST" signal.	I
P4	DSP_CK	DSP serial clock.	O
P5	PDV	Power supply voltage drop detect.	I
P6	H_PTT	[PTT] input from the Bluetooth® unit. L=Pushed.	I
P7	SD_SW	SD card driver power supply control. H=SD card driver is activated.	O
P10	SCACK	"ACK" signal from the sub CPU.	I
P12	BTUNIT	Bluetooth® unit mount detect. L=Mounted.	I
P13	RX232	RS-232C UART data. (4800/9600 bps)	I
R1	SD_RXD	Serial data from the SD card.	I
R2	DSP_SO	DSP serial data.	O

• MAIN CPU (MAIN UNIT: IC300) (continued)

Ball No.	Line Name	Description	I/O
R4	CLOUT	CI-V/CLONE UART data. (300–38400 bps)	O
R5	DSP_RESET	DSP reset control. L=Reset.	O
R6	RTC_SCL	Serial clock to the real time clock IC.	O
R7	PCON	Main power supply line control. H=Power ON.	O
R9	SD_PTC	SD card write protect control. H=Write protect.	O
R10	SCRES	Sub CPU reset.	O
R11	SCTRG	"TRG" signal to the sub CPU.	O
R12	SCTXS	"TXS" signal to the sub CPU.	O
R13	CK	Common serial clock to the D/A converter and expander.	O
R14	MICSEL	External microphone connection detect.	I
59	L_AFMUTE	AF output mute. (A band) H=Mute.	O
56	MICMUTE	MIC mute switch control. H=Mute.	O
27	DCSFT	DSP clock shift control. L=+600 Hz shifted.	O
17	R_PLLSTB	PLL serial strobe. (Band B)	O
63	R_AFMUTE	RX AF mute control. (Band B) L=Mute.	O
55	PLAY	Modulation signal line switching control. H=Recorded audio is transmitted.	O
22	VTX_C	VHF band transmit circuit power control. H=While transmitting.	O
23	UTX_C	UHF band transmit circuit power control. H=While transmitting.	O
20	L_PLLSTB	PLL serial strobe. (Band A)	O

• SUB CPU (MAIN UNIT: IC303)

Ball No.	Line Name	Description	I/O
1	L_REFC	Reference frequency control. (Band A)	O
2	R_REFC	Reference frequency control. (Band B)	O
7	SCRES	Sub CPU reset.	I
18	PLLCK	PLL serial clock.	O
19	PLLDATA	PLL serial data.	O
31	AF_SW	AF output control. H=AF signal is output from the external speaker.	O
24	L_RMUTE	AF mute control. (Band A) L=Mute.	O
25	R_RMUTE	AF mute control. (Band B) L=Mute.	O
26	DTCS_SEL	Tone signal (CTCSS/DTCS) filter switching control. H=While sending DTCS signal.	O
34	MAIN_DASEL	Operating mode (FM/DV) switching control. H=While operating in the DV mode.	O
36	MIC1	Microphone gain control.	O
48	SCSCK	Sub CPU clock.	I
49	SCTXD	Sub CPU data to the main CPU.	I
50	SCRXD	Main CPU data.	O
51	MIC2	Microphone gain control.	O
52	SCTRG	"TRG" signal from the main CPU.	I
53	SCTXS	"TXS" signal from the main CPU.	I
57	VRX_RPT	Demodulated signal polarity switching control. H=While operating on the VHF band.	O
58	URX_RPT	Demodulated signal polarity switching control. H=While operating on the UHF band.	O
60	CLSFT3	Sub CPU clock frequency shift control. H=Shifted.	O
61	CLSFT2*	Main CPU clock frequency shift control.	O
62	CLSFT1*		
64	SCACK	Sub CPU "ACK" signal to the main CPU.	O

*: Clock frequency shifting range.

Line name	CLSFT1	CLSFT2	Shifting range
Line state	H	H	-1.2 kHz
	H	L	±0 kHz
	L	L	+1.2 kHz

SECTION 5 ADJUSTMENT PROCEDURE

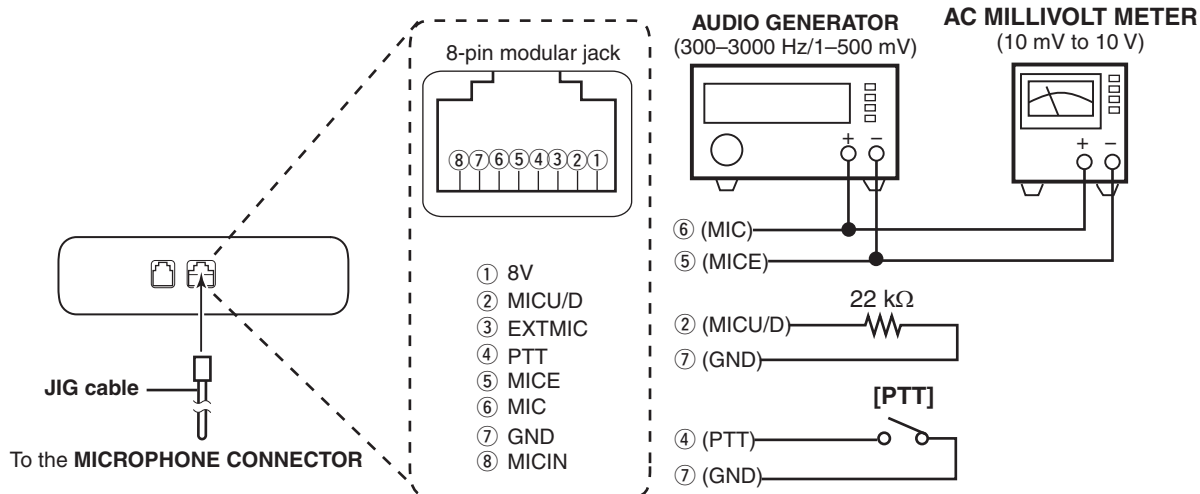
5-1 PREPARATION

REQUIRED TEST EQUIPMENT

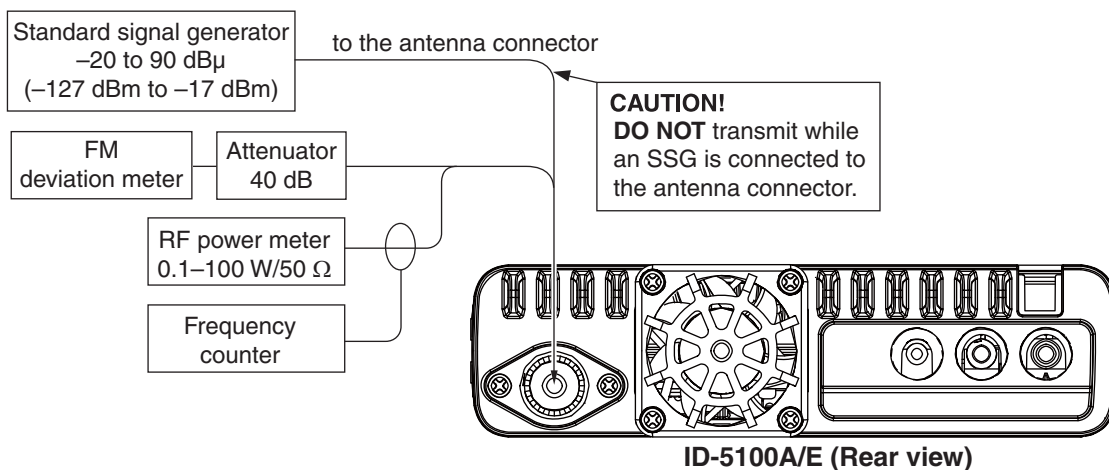
EQUIPMENT	GRADE AND RANGE	EQUIPMENT	GRADE AND RANGE
DC power supply	Output voltage: 13.8 V DC Current capacity: More than 20 A	JIG cable	Modified 8-pin modular jack (See the illustration shown below.)
		Audio generator	Frequency range: 300–3000 Hz Output level: 1–500 mV
RF power meter (terminated type)	Measuring range: 1–100 W Frequency range: 100–600 MHz Impedance: 50 Ω SWR: Less than 1.2 : 1	Standard signal generator (SSG)	Frequency range: 0.1–600 MHz Output level: –20 to +90 dBμ (–127 to –17 dBm)
Frequency counter	Frequency range: 0.1–600 MHz Frequency accuracy: ±1 ppm or better Sensitivity: 100 mV or better	AC millivoltmeter	Measuring range: 10 mV to 10 V
		Terminator	Impedance: 50 Ω Capacity: More than 100 W
Modulation Analyzer	Frequency range: 30–600 MHz Measuring range: DC to ±10 kHz	Attenuator	Power attenuation: 50 dB Capacity: More than 100 W

CAUTION!: SAVE the originally programmed contents (Memory channel contents, set mode settings, and so on.), before starting adjustment. When all adjustments are completed, these contents in the transceiver may be cleared.

JIG CABLE



CONNECTION

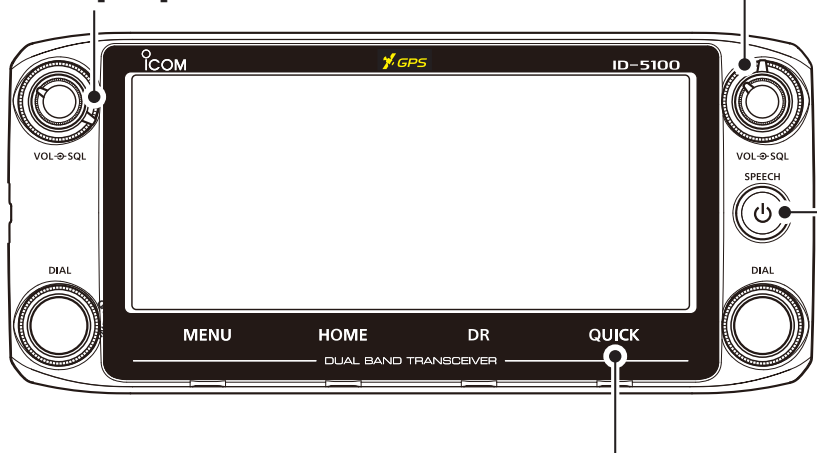


ENTERING THE ADJUSTMENT MODE

- 1) Connect the JIG cable to the **MICROPHONE CONNECTOR** (see the illustration on page 5-1).
- 2) Turn **Band A [SQL]** maximum clockwise.
- 3) Set **Band B [SQL]** to the center position.
- 4) Touch and hold **[QUICK]**, and turn ON the power.
 - Enters to the adjustment mode.

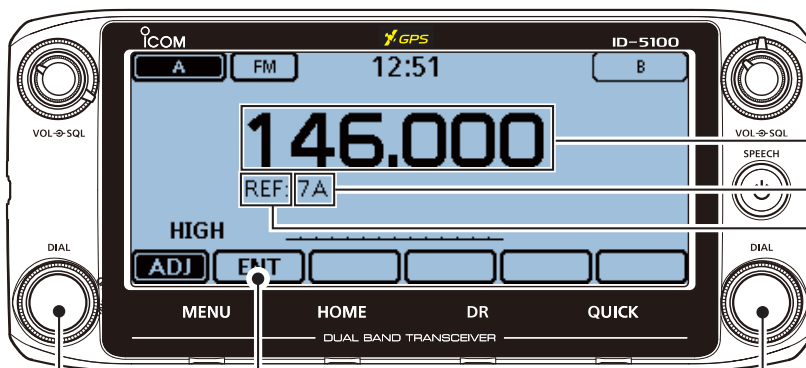
2) Turn **Band A [SQL]** maximum clockwise.

3) Set **Band B [SQL]** to the center position.



4) Touch and hold **[QUICK]**, then push **[PWR]** turn ON the power.

KEY ASSIGNMENTS IN THE ADJUSTMENT MODE



Adjustment frequency.

Adjustment value.

Adjustment item name.

[ENT]

- Stores the set value.
(For the manual adjustments)
- Adjusts the value for the item.
(For the automatic adjustments)

Band A [DIAL]

Turn Clockwise : Selects the next adjustment item.
Turn Counterclockwise : Selects the previous adjustment item.

Band B [DIAL]

Adjusts the value for the item.
(For the manual adjustments)

5-2 FREQUENCY ADJUSTMENT

- 1) Select the adjustment item by rotating **Band A [DIAL]**.
- 2) Set or modify the adjustment value as specified by rotating **Band B [DIAL]**.
- 3) Touch **[ENT]** to store the value.

ADJUSTMENT ITEM		ADJUSTMENT CONDITIONS		OPERATION	VALUE
REFERENCE FREQUENCY (Band A)	[REF]	1	<ul style="list-style-type: none"> • Connect an RF power meter to the antenna connector. • Loosely couple a Frequency Counter to the antenna connector. • Transmitting 	Rotate Band B [DIAL] to adjust the transmit frequency, and then touch [ENT] during transmit.	Displayed frequency (±200 Hz)
		2			

5-3 TRANSMIT ADJUSTMENTS

■ TRANSMIT OUTPUT POWER ADJUSTMENTS

- 1) Select the adjustment item by rotating **Band A [DIAL]**.
- 2) Set or modify the adjustment value as specified, by rotating **Band B [DIAL]**.
- 3) Touch **[ENT]** to store the value.

ADJUSTMENT ITEM			ADJUSTMENT CONDITIONS	OPERATION	VALUE
144 MHz BAND TRANSMIT OUTPUT POWER (HIGH POWER)	(Band Low) [PHL]	1	<ul style="list-style-type: none"> • Connect an RF power meter to the antenna connector. • Transmitting 	Rotate Band B [DIAL] to adjust the transmit output power, and then touch [ENT] during transmit.	50 W
	(Band High) [PHH]	2			
(MID POWER)	(Band Low) [PML]	3			15 W (Except [TPE]) 22 W ([TPE])
	(Band High) [PMH]	4			
(LOW POWER)	(Band Low) [PLL]	5			5 W
	(Band High) [PLH]	6			
430 MHz BAND TRANSMIT OUTPUT POWER (HIGH POWER)	(Band Low) [PHL]	1	<ul style="list-style-type: none"> • Connect an RF power meter to the antenna connector. • Transmitting 	Rotate Band B [DIAL] to adjust the transmit output power, and then touch [ENT] during transmit.	50 W
	(Band High) [PHH]	2			
(MID POWER)	(Band Low) [PML]	3			15 W (Except [TPE]) 22 W ([TPE])
	(Band High) [PMH]	4			
(LOW POWER)	(Band Low) [PLL]	5			5 W
	(Band High) [PLH]	6			

■ DEVIATION ADJUSTMENTS

- 1) Select the adjustment item by rotating **Band A [DIAL]**.
- 2) Set or modify the adjustment value as specified, by rotating **Band B [DIAL]**.
- 3) Touch **[ENT]** to store the value.

ADJUSTMENT ITEM				ADJUSTMENT CONDITIONS	OPERATION	VALUE		
144 MHz Band FM DEVIATION (Band A)	(Band Low)	(FM) [FMS]	1	<ul style="list-style-type: none"> • Connect a modulation analyzer with an oscilloscope to the antenna connector, through an attenuator, and set it as: HPF: OFF LPF: 20 kHz De-emphasis: OFF Detector: (P-P)/2 • Connect an audio generator to the [MIC] jack, and set it as: Frequency: 1 kHz Level: 80 mV rms (For [USA]) 20 mV rms (Except [USA]) • Transmitting 	Rotate Band B [DIAL] to adjust the deviation, and then touch [ENT] during transmit.	±4.2 kHz		
		(FM-N) [FMS]	2			±2.1 kHz		
	(Band Center)	(FM) [FMS]	3			±4.2 kHz		
		(FM-N) [FMS]	4			±2.1 kHz		
	(Band High)	(FM) [FMS]	5			±4.2 kHz		
		(FM-N) [FMS]	6			±2.1 kHz		
430 MHz Band FM DEVIATION (Band B)	(Band Low)	(FM) [FMS]	1			<ul style="list-style-type: none"> • Connect a modulation analyzer with an oscilloscope to the antenna connector, through an attenuator, and set as: HPF: OFF LPF: 20 kHz De-emphasis: OFF Detector: (P-P)/2 • No audio applied. • Transmitting 	Rotate Band B [DIAL] to adjust the deviation, and then touch [ENT] during transmit.	±4.2 kHz
		(FM-N) [FMS]	2					±2.1 kHz
	(Band Center)	(FM) [FMS]	3					±4.2 kHz
		(FM-N) [FMS]	4					±2.1 kHz
	(Band High)	(FM) [FMS]	5					±4.2 kHz
		(FM-N) [FMS]	6					±2.1 kHz
144 MHz Band FM MODULATION BALANCE (Band A)	(Band Low)	(FM) [FMB]	1	<ul style="list-style-type: none"> • Connect a modulation analyzer with an oscilloscope to the antenna connector, through an attenuator, and set as: HPF: OFF LPF: 20 kHz De-emphasis: OFF Detector: (P-P)/2 • No audio applied. • Transmitting 	Rotate Band B [DIAL] to adjust the deviation, and then touch [ENT] during transmit.			±4.2 kHz
		(FM-N) [FMB]	2					±2.1 kHz
	(Band Center)	(FM) [FMB]	3					±4.2 kHz
		(FM-N) [FMB]	4					±2.1 kHz
	(Band High)	(FM) [FMB]	5					±4.2 kHz
		(FM-N) [FMB]	6					±2.1 kHz
430 MHz Band FM MODULATION BALANCE (Band B)	(Band Low)	(FM) [FMB]	1			<ul style="list-style-type: none"> • Connect a modulation analyzer with an oscilloscope to the antenna connector, through an attenuator, and set as: HPF: OFF LPF: 20 kHz De-emphasis: OFF Detector: (P-P)/2 • No audio applied. • Transmitting 	Rotate Band B [DIAL] to adjust the deviation, and then touch [ENT] during transmit.	±4.2 kHz
		(FM-N) [FMB]	2					±2.1 kHz
	(Band Center)	(FM) [FMB]	3					±4.2 kHz
		(FM-N) [FMB]	4					±2.1 kHz
	(Band High)	(FM) [FMB]	5					±4.2 kHz
		(FM-N) [FMB]	6					±2.1 kHz

■ DEVIATION ADJUSTMENT (continued)

- 1) Select the adjustment item by rotating **Band A [DIAL]**.
- 2) Set or modify the adjustment value as specified, by rotating **Band B [DIAL]**.
- 3) Touch **[ENT]** to store the value.

ADJUSTMENT ITEM			ADJUSTMENT CONDITIONS	OPERATION	VALUE								
144 MHz Band DV DEVIATION	(Band Low) [MDS]	1	<ul style="list-style-type: none"> • Connect a modulation analyzer with an oscilloscope to the antenna connector, through an attenuator, and set it as: HPF: OFF LPF: 20 kHz De-emphasis: OFF Detector: (P-P)/2 • No audio applied. • Transmitting 	Rotate Band B [DIAL] to adjust the deviation, and then touch [ENT] during transmit.	±1.05 kHz								
	(Band Center) [MDS]	2											
	(Band High) [MDS]	3											
144 MHz Band DV MODULATION BALANCE	(Band Low) [MDB]	1			<ul style="list-style-type: none"> • Connect a modulation analyzer with an oscilloscope to the antenna connector, through an attenuator, and set it as: HPF: OFF LPF: 20 kHz De-emphasis: OFF Detector: (P-P)/2 • No audio applied. • Transmitting 	Rotate Band B [DIAL] to adjust the deviation, and then touch [ENT] during transmit.	Minimum deviation						
	(Band Center) [MDB]	2											
	(Band High) [MDB]	3											
430 MHz Band DV DEVIATION	(Band Low) [MDS]	1					<ul style="list-style-type: none"> • Connect a modulation analyzer with an oscilloscope to the antenna connector, through an attenuator, and set it as: HPF: OFF LPF: 20 kHz De-emphasis: OFF Detector: (P-P)/2 • No audio applied. • Transmitting 	Rotate Band B [DIAL] to adjust the deviation, and then touch [ENT] during transmit.	±1.05 kHz				
	(Band Center) [MDS]	2											
	(Band High) [MDS]	3											
430 MHz Band DV MODULATION BALANCE	(Band Low) [MDB]	1							<ul style="list-style-type: none"> • Connect a modulation analyzer with an oscilloscope to the antenna connector, through an attenuator, and set it as: HPF: OFF LPF: 20 kHz De-emphasis: OFF Detector: (P-P)/2 • No audio applied. • Transmitting 	Rotate Band B [DIAL] to adjust the deviation, and then touch [ENT] during transmit.	Minimum deviation		
	(Band Center) [MDB]	2											
	(Band High) [MDB]	3											
144 MHz Band CTCSS DEVIATION	(FM) [MCT]	1	<ul style="list-style-type: none"> • Connect a modulation analyzer with an oscilloscope to the antenna connector, through an attenuator, and set it as: HPF: OFF LPF: 20 kHz De-emphasis: OFF Detector: (P-P)/2 • No audio applied. • Transmitting 	Rotate Band B [DIAL] to adjust the deviation, and then touch [ENT] during transmit.							±0.75 kHz		
	(FM-N) [MCT]	2									(Set the same value as the FM mode.)		
430 MHz Band CTCSS DEVIATION	(FM) [MCT]	1									<ul style="list-style-type: none"> • Connect a modulation analyzer with an oscilloscope to the antenna connector, through an attenuator, and set it as: HPF: OFF LPF: 20 kHz De-emphasis: OFF Detector: (P-P)/2 • No audio applied. • Transmitting 	Rotate Band B [DIAL] to adjust the deviation, and then touch [ENT] during transmit.	±0.75 kHz
	(FM-N) [MCT]	2			(Set the same value as the FM mode.)								
144 MHz Band DTCS DEVIATION	(FM) [MDT]	1			<ul style="list-style-type: none"> • Connect a modulation analyzer with an oscilloscope to the antenna connector, through an attenuator, and set it as: HPF: OFF LPF: 20 kHz De-emphasis: OFF Detector: (P-P)/2 • No audio applied. • Transmitting 	Rotate Band B [DIAL] to adjust the deviation, and then touch [ENT] during transmit.							±0.75 kHz
	(FM-N) [MDT]	2											(Set the same value as the FM mode.)
430 MHz Band DTCS DEVIATION	(FM) [MDT]	1					<ul style="list-style-type: none"> • Connect a modulation analyzer with an oscilloscope to the antenna connector, through an attenuator, and set it as: HPF: OFF LPF: 20 kHz De-emphasis: OFF Detector: (P-P)/2 • No audio applied. • Transmitting 	Rotate Band B [DIAL] to adjust the deviation, and then touch [ENT] during transmit.					±0.75 kHz
	(FM-N) [MDT]	2											(Set the same value as the FM mode.)

5-4 RECEIVE ADJUSTMENTS

■ RECEIVE SENSITIVITY ADJUSTMENT

- 1) Select the adjustment item by rotating **Band A [DIAL]**.
- 2) Set or modify the adjustment value as specified, by rotating **Band B [DIAL]**.
- 3) Touch **[ENT]** to store the value.

ADJUSTMENT ITEM	ADJUSTMENT CONDITIONS			OPERATION	VALUE	
SENSITIVITY	• Connect a Standard Signal Generator to the antenna connector.					
	118.020 MHz	(Band A) [LT1]	1	Set the SSG as: Frequency: (Displayed) Modulation: None Level: 0 dBμ (-107 dBm)	Touch [ENT] .	(Automatic adjustment)
		(Band B) [LT1]	2			
	146.020 MHz	(Band A) [MT1]	3	Set the SSG as: Frequency: (Displayed) Modulation: None Level: 0 dBμ (-107 dBm)		
		(Band B) [MT1]	4			
	173.980 MHz	(Band A) [HT1]	5	Set the SSG as: Frequency: (Displayed) Modulation: None Level: 0 dBμ (-107 dBm)		
		(Band B) [HT1]	6			
	375.020 MHz	(Band A) [LT4]	7	Set the SSG as: Frequency: (Displayed) Modulation: None Level: 0 dBμ (-107 dBm)		
		(Band B) [LT4]	8			
	420.020 MHz	(Band A) [MT4]	9	Set the SSG as: Frequency: (Displayed) Modulation: None Level: 0 dBμ (-107 dBm)		
		(Band B) [MT4]	10			
	449.980 MHz	(Band A) [HT4]	11	Set the SSG as: Frequency: (Displayed) Modulation: None Level: 0 dBμ (-107 dBm)		
		(Band B) [HT4]	12			
	450.020 MHz	(Band A) [LT5]	13	Set the SSG as: Frequency: (Displayed) Modulation: None Level: 0 dBμ (-107 dBm)		
		(Band B) [LT5]	14			
	500.020 MHz	(Band A) [MT5]	15	Set the SSG as: Frequency: (Displayed) Modulation: None Level: 0 dBμ (-107 dBm)		
		(Band B) [MT5]	16			
	549.980 MHz	(Band A) [HT5]	17	Set the SSG as: Frequency: (Displayed) Modulation: None Level: 0 dBμ (-107 dBm)		
(Band B) [HT5]		18				

■ S-METER ADJUSTMENT

- 1) Select the adjustment item by rotating **Band A [DIAL]**.
- 2) Configure the SSG setting as specified.
- 3) Touch **[ENT]** to automatically adjust and store the value.

ADJUSTMENT ITEM				ADJUSTMENT CONDITIONS	OPERATION	VALUE
S-METER				• Connect a Standard Signal Generator to the antenna connector.		
127.020 MHz	Band A	(AM) [S11]	1	Set the SSG as: Frequency: (Displayed) Modulation: None Level: -6 dBμ (-113 dBm)	Touch [ENT] .	(Automatic adjustment)
	Band B	(AM) [S11]	2			
	Band A	(AM) [S31]	3	Set the SSG as: Level: 0 dBμ (-107 dBm)		
	Band B	(AM) [S31]	4			
	Band A	(AM) [SF1]	5	Set the SSG as: Level: +10 dBμ (-97 dBm)		
	Band B	(AM) [SF1]	6			
145.020 MHz	Band A	(FM) [S12]	7	Set the SSG as: Frequency: (Displayed) Modulation: None Level: -6 dBμ (-113 dBm)		
	Band B	(FM) [S12]	8			
	Band A	(FM) [S32]	9	Set the SSG as: Level: 0 dBμ (-107 dBm)		
	Band B	(FM) [S32]	10			
	Band A	(FM) [SF2]	11	Set the SSG as: Level: +10 dBμ (-97 dBm)		
	Band B	(FM) [SF2]	12			
387.020 MHz	Band A	(FM) [S13]	13	Set the SSG as: Frequency: (Displayed) Modulation: None Level: -6 dBμ (-113 dBm)		
	Band B	(FM) [S13]	14			
	Band A	(FM) [S33]	15	Set the SSG as: Level: 0 dBμ (-107 dBm)		
	Band B	(FM) [S33]	16			
	Band A	(FM) [SF3]	17	Set the SSG as: Level: +10 dBμ (-97 dBm)		
	Band B	(FM) [SF3]	18			
435.020 MHz* 445.020 MHz**	Band A	(FM) [S14]	19	Set the SSG as: Frequency: (Displayed) Modulation: None Level: -6 dBμ (-113 dBm)		
	Band B	(FM) [S14]	20			
	Band A	(FM) [S34]	21	Set the SSG as: Level: 0 dBμ (-107 dBm)		
	Band B	(FM) [S34]	22			
	Band A	(FM) [SF4]	23	Set the SSG as: Level: +10 dBμ (-97 dBm)		
	Band B	(FM) [SF4]	24			
500.020 MHz	Band A	(FM) [S15]	25	Set the SSG as: Frequency: (Displayed) Modulation: None Level: -6 dBμ (-113 dBm)		
	Band B	(FM) [S15]	26			
	Band A	(FM) [S35]	27	Set the SSG as: Level: 0 dBμ (-107 dBm)		
	Band B	(FM) [S35]	28			
	Band A	(FM) [SF5]	29	Set the SSG as: Level: +10 dBμ (-97 dBm)		
	Band B	(FM) [SF5]	30			

■ SQUELCH ADJUSTMENT

- 1) Select the adjustment item by rotating **Band A [DIAL]**.
- 2) Touch **[ENT]** to automatically adjust and store the value.

ADJUSTMENT ITEM			OPERATION	VALUE	
SQUELCH	• Connect a Terminator (50 Ω) to the antenna connector, to block any RF signal.				
	127.020 MHz	(AM) [SQ1]	1	Touch [ENT] .	(Automatic adjustment)
		(AM) [SQ1]	2		
		(AM-N) [SQ1]	3		
		(AM-N) [SQ1]	4		
	145.020 MHz	(FM) [SQ2]	7		
		(FM) [SQ2]	8		
		(FM-N) [SQ2]	9		
		(FM-N) [SQ2]	10		
	387.020 MHz	(FM) [SQ3]	13		
		(FM) [SQ3]	14		
		(FM-N) [SQ3]	15		
		(FM-N) [SQ3]	16		
	435.020 MHz	(FM) [SQ4]	19		
		(FM) [SQ4]	20		
		(FM-N) [SQ4]	21		
		(FM-N) [SQ4]	22		
	500.020 MHz	(FM) [SQ5]	25		
		(FM) [R SQ5]	26		
		(FM-N) [L SQ5]	27		
(FM-N) [R SQ5]		28			

SECTION 6

PARTS LIST

[CONTROL UNIT]

REF NO.	PARTS NO.	DESCRIPTION	M.	H/V LOCATION
IC2	1140016220	S.IC STM32F101VFT6 <TOMEN>	T	84.3/89.3
IC6	1180003480	S.REG NJU7772F33-TE1-#ZZZB	B	21.1/39.1
IC7	1110006490	S.IC LMV321IDCKR	B	95.4/32.0
IC8	1130017190	S.IC UC6528XBNQ4GRC <GOS>	B	27.1/45.0
Q3	1530002851	S.TRA 2SC4116-BL<TE85RF>	B	95.9/28.2
Q6	1590004040	S.TRA LDTA123YET1G <SLVJ>	B	82.9/43.4
D1	1750001820	S.DIO LRB706F-40T1G <SLVJ>	T	23.2/35.9
D2	1750001820	S.DIO LRB706F-40T1G <SLVJ>	T	20.7/35.9
D3	1750001810	S.DIO L1SS400T1G <SLVJ>	B	87.7/43.2
D4	1750001810	S.DIO L1SS400T1G <SLVJ>	B	69.2/29.7
D5	1750001810	S.DIO L1SS400T1G <SLVJ>	B	44.1/27.6
X1	6050013180	S.XTA CR-910(HC-49US/9.8304 MHz) <JJE>	T	50.5/4.3
R1	7210003660	VAR R09461GO-FF17S5.0-B504 <EVT>		
R2	7210003660	VAR R09461GO-FF17S5.0-B504 <EVT>		
R3	7510001770	S.THE NTCG10 4LH 473JT	T	92.8/29.9
R4	7030007350	S.RES ERJ2GEJ 393 X (39K)	T	93.7/28.3
R5	7030005240	S.RES ERJ2GEJ 473 X (47K)	T	60.9/22.3
R6	7030005240	S.RES ERJ2GEJ 473 X (47K)	T	60.9/23.2
R7	7030005240	S.RES ERJ2GEJ 473 X (47K)	T	61.3/15.5
R11	7030005530	S.RES ERJ2GEJ 100 X (10)	T	29.6/7.3
R14	7030005530	S.RES ERJ2GEJ 100 X (10)	T	57.0/61.4
R16	7410000720	S.ARR EXB-V8V 473JV (47K)	B	32.8/5.5
R18	7410001130	S.ARR EXB28V102JX	B	52.2/13.3
R19	7030005160	S.RES ERJ2GEJ 105 X (1M)	T	50.7/7.4
R20	7030010040	S.RES ERJ2GEJ-JPW	T	51.2/8.3
R21	7030005530	S.RES ERJ2GEJ 100 X (10)	T	56.0/7.8
R27	7030005050	S.RES ERJ2GEJ 103 X (10K)	T	28.0/35.0
R33	7030005240	S.RES ERJ2GEJ 473 X (47K)	B	93.9/34.3
R34	7030005050	S.RES ERJ2GEJ 103 X (10K)	B	97.2/33.6
R36	7030005040	S.RES ERJ2GEJ 472 X (4.7K)	B	97.2/32.0
R37	7030005050	S.RES ERJ2GEJ 103 X (10K)	B	95.7/30.1
R39	7030005530	S.RES ERJ2GEJ 100 X (10)	B	98.0/29.1
R44	7030005090	S.RES ERJ2GEJ 104 X (100K)	T	50.0/28.2
R47	7030010040	S.RES ERJ2GEJ-JPW	B	60.9/13.4
R50	7030010040	S.RES ERJ2GEJ-JPW	T	53.7/61.2
R51	7030010040	S.RES ERJ2GEJ-JPW	B	81.5/45.8
R52	7030005120	S.RES ERJ2GEJ 102 X (1K)	T	18.7/36.1
R53	7030005120	S.RES ERJ2GEJ 102 X (1K)	T	18.7/37.0
R56	7030005240	S.RES ERJ2GEJ 473 X (47K)	T	51.0/28.2
R58	7410000720	S.ARR EXB-V8V 473JV (47K)	B	45.3/10.7
R59	7030005240	S.RES ERJ2GEJ 473 X (47K)	T	31.6/8.5
R63	7030005240	S.RES ERJ2GEJ 473 X (47K)	T	30.5/9.9
R67	7030005240	S.RES ERJ2GEJ 473 X (47K)	T	55.8/62.6
R68	7030005090	S.RES ERJ2GEJ 104 X (100K)	T	55.8/61.7
R69	7030005240	S.RES ERJ2GEJ 473 X (47K)	T	52.1/62.6
R70	7030005090	S.RES ERJ2GEJ 104 X (100K)	T	55.8/60.8
R71	7030005240	S.RES ERJ2GEJ 473 X (47K)	B	95.1/34.7
R72	7030005240	S.RES ERJ2GEJ 473 X (47K)	B	70.5/30.0
R73	7030005240	S.RES ERJ2GEJ 473 X (47K)	B	44.9/30.0
R74	7030003860	S.RES ERJ3GE JPW V	T	16.2/34.6
C1	4030016790	S.CER C1005 JB 1E 103K-T	T	72.1/41.2
C2	4030016930	S.CER C1005 JB 1A 104K-T	T	57.5/62.6
C3	4030016930	S.CER C1005 JB 1A 104K-T	T	92.8/28.3
C4	4030017460	S.CER C1005 JB 1H 102K-T	T	167.7/39.8
C10	4030016790	S.CER C1005 JB 1E 103K-T	T	30.5/8.5
C15	4030016790	S.CER C1005 JB 1E 103K-T	B	84.4/43.2
C16	4030017780	S.CER C1005 JB 1H 472K-T	B	50.9/10.4
C17	4030017780	S.CER C1005 JB 1H 472K-T	B	51.8/10.4
C18	4030017650	S.CER C1005 CH 1H 270J-T	T	49.1/7.4
C19	4030017650	S.CER C1005 CH 1H 270J-T	T	52.3/7.4
C20	4030017780	S.CER C1005 JB 1H 472K-T	B	52.7/10.4
C21	4030017780	S.CER C1005 JB 1H 472K-T	B	53.6/10.4
C22	4030019560	S.CER GRM21BB31C106KE15L	T	58.2/6.5
C23	4030016790	S.CER C1005 JB 1E 103K-T	T	54.8/7.4
C24	4030017460	S.CER C1005 JB 1H 102K-T	B	87.3/44.3
C25	4030019560	S.CER GRM21BB31C106KE15L	T	58.2/8.3
C27	4030016930	S.CER C1005 JB 1A 104K-T	T	49.3/8.3
C28	4030016790	S.CER C1005 JB 1E 103K-T	T	54.8/8.3
C29	4030016930	S.CER C1005 JB 1A 104K-T	T	42.6/10.6
C32	4030019560	S.CER GRM21BB31C106KE15L	T	45.4/29.2
C34	4030016930	S.CER C1005 JB 1A 104K-T	T	60.5/12.9
C36	4030017460	S.CER C1005 JB 1H 102K-T	B	85.3/43.2
C37	4030016930	S.CER C1005 JB 1A 104K-T	T	60.5/24.5
C38	4030016930	S.CER C1005 JB 1A 104K-T	T	44.5/27.8
C39	4030017460	S.CER C1005 JB 1H 102K-T	T	29.4/38.5
C40	4030020000	S.CER C1005 JB 1A 105K-T	T	21.8/41.3
C41	4030017040	S.CER C1005 JB 1A 333K-T	T	26.7/39.3
C42	4030019560	S.CER GRM21BB31C106KE15L	T	18.4/39.1
C45	4030020000	S.CER C1005 JB 1A 105K-T	B	95.1/33.8
C46	4030017440	S.CER C1005 CH 1H 221J-T	T	18.9/34.9
C57	4030016790	S.CER C1005 JB 1E 103K-T	B	93.7/31.5
C58	4030017440	S.CER C1005 CH 1H 221J-T	T	18.0/34.9
C71	4030016930	S.CER C1005 JB 1A 104K-T	B	30.1/46.4
C72	4030016930	S.CER C1005 JB 1A 104K-T	B	24.2/43.5
C73	4030021580	S.CER GRM188B31E225KA12D	T	77.2/21.4

[CONTROL UNIT]

REF NO.	PARTS NO.	DESCRIPTION	M.	H/V LOCATION
C74	4030021580	S.CER GRM188B31E225KA12D	T	77.8/25.8
C75	4030021580	S.CER GRM188B31E225KA12D	T	76.2/29.3
C76	4030021580	S.CER GRM188B31E225KA12D	T	80.4/21.4
C77	4030021580	S.CER GRM188B31E225KA12D	T	82.5/21.4
C78	4030021580	S.CER GRM188B31E225KA12D	T	83.1/25.8
C79	4030021580	S.CER GRM188B31E225KA12D	T	88.0/20.5
C80	4030021580	S.CER GRM188B31E225KA12D	T	84.6/29.3
C81	4030021580	S.CER GRM188B31E225KA12D	T	88.0/22.6
C82	4030021580	S.CER GRM188B31E225KA12D	T	88.0/24.7
C83	4030021580	S.CER GRM188B31E225KA12D	T	82.5/29.3
C84	4030021580	S.CER GRM188B31E225KA12D	T	80.4/29.3
C85	4030021580	S.CER GRM188B31E225KA12D	T	78.3/29.3
C86	4030021580	S.CER GRM188B31E225KA12D	T	86.7/30.1
C87	4030021580	S.CER GRM188B31E225KA12D	T	88.8/30.1
C88	4030021580	S.CER GRM188B31E225KA12D	T	88.0/26.8
J1	6510027710	S.CON S5B-ZR-SM4A-TF(LF)(SN)	T	54.0/67.9
J2	6510028740	S.CON 14FLH-SM1-TB(LF)(SN)	T	32.8/2.8
J3	6510028880	S.CON 04-6238-010-410-800	B	86.1/46.9
J5	6510030110	S.CON IMSA-9681S-38Y901	B	86.7/24.2
J6	6450002260	CON 6606A-B11G ROHS <KTC>		
J7	6510030080	S.CON IMSA-9632S-04Y800	B	20.0/46.2
DS1	5030003870	LCD JIC-MSGF013343-01 <RYOYO>		
S4	2250000880	ENC EC12E2420801		
S5	2250000880	ENC EC12E2420801		
S6	2260002740	S.SWI LS8J2M-T	T	168.6/35.5
S7	2260002740	S.SWI LS8J2M-T	B	28.2/35.5
W1	8910000210	FFC FFC-1026 (P0.5N10L80) <TJM>		
EP1	6910024590	E.O WT5039-E <SKD>		
EP2	6910018460	S.BEA MMZ1005Y102C-T	T	44.1/30.8
EP3	6910018460	S.BEA MMZ1005Y102C-T	T	15.7/32.6
EP5	6910012350	S.BEA MMZ1608Y 102BT	T	16.2/35.8
EP6	6910012350	S.BEA MMZ1608Y 102BT	T	16.2/37.0
EP7	6910012350	S.BEA MMZ1608Y 102BT	T	16.2/38.2
EP8	6910018460	S.BEA MMZ1005Y102C-T	B	25.5/33.0
EP9	6910018460	S.BEA MMZ1005Y102C-T	B	93.7/29.9
EP10	6910018460	S.BEA MMZ1005Y102C-T	B	92.8/29.9
EP11	6910018460	S.BEA MMZ1005Y102C-T	B	88.2/27.2
EP12	6910018460	S.BEA MMZ1005Y102C-T	T	22.3/42.8
EP13	6910024430	E.O GPS-123B-077		

Eqv.= This component is equivalent to the REF No. component listed above, and may be substituted on parts orders and repairs.

M.=Mounted side (T: Mounted on the Top side, B: Mounted on the Bottom side) S.=Surface mount

[MAIN UNIT]

REF NO.	PARTS NO.	DESCRIPTION	M.	H/V LOCATION
IC2	1110003800	S.IC NJM2904V-TE1-#FMZB	T	50.8/18.0
IC3	1150002423	IC RA60H1317M1A-222		
IC4	1150002400	IC RA60H4047M1-121		
IC100	1130015760	S.IC TC74VHC4066AFK(EK)	T	66.6/20.7
IC101	1110006490	S.IC LMV321DCKR	T	74.8/17.4
IC102	1130017510	S.IC NJM2741F-TE1-#ZZZB	T	80.3/25.0
IC103	1110007920	S.IC SC-1445-E	T	114.3/19.3
IC104	1130015760	S.IC TC74VHC4066AFK(EK)	T	89.7/27.1
IC105	1110003091	IC LA4425A-E		
IC106	1110003091	IC LA4425A-E		
IC107	1110006490	S.IC LMV321DCKR	T	113.2/109.3
IC108	1130013010	S.IC SN74AHC1G08DCK3	T	129.0/110.8
IC109	1130015760	S.IC TC74VHC4066AFK(EK)	T	118.2/112.9
IC110	1110007200	S.IC M61545AFP#DF0R	T	107.4/111.7
IC111	1130015760	S.IC TC74VHC4066AFK(EK)	T	102.4/111.6
IC112	1130007021	S.IC TC7S66FU(Te85LF)	T	103.2/26.3
IC113	1130015760	S.IC TC74VHC4066AFK(EK)	T	109.0/42.5
IC117	1110006740	S.IC LMV3581PWR	T	97.4/44.2
IC119	1130015760	S.IC TC74VHC4066AFK(EK)	B	28.5/23.9
IC120	1110007300	S.IC NJM2552V-TE1-#ZZZB	T	9.3/57.7
IC121	1110007300	S.IC NJM2552V-TE1-#ZZZB	T	50.3/57.7
IC122	1110006490	S.IC LMV321DCKR	T	7.1/27.5
IC123	1110006490	S.IC LMV321DCKR	T	50.0/27.9
IC124	1190003780	S.IC SMA5101-TL-H	T	9.5/101.5
IC125	1190003780	S.IC SMA5101-TL-H	T	49.1/101.5
IC200	1130013640	S.IC TC74VHCT125AFK(EK)	B	95.4/29.1
IC201	1140005991	S.IC MB15A02PFV1-G-BND-ERE1	B	69.2/36.7
IC202	1130007021	S.IC TC7S66FU(Te85LF)	T	75.3/33.3
IC203	1110008530	S.IC BGA2869115 <RYO>	T	65.3/77.0
IC205	1130015760	S.IC TC74VHC4066AFK(EK)	T	43.0/35.2
IC206	1140005991	S.IC MB15A02PFV1-G-BND-ERE1	B	28.5/35.0
IC207	1130007021	S.IC TC7S66FU(Te85LF)	T	33.9/32.7
IC208	1110008530	S.IC BGA2869115 <RYO>	T	24.3/77.0
IC300	1140017162	S.IC R5F56106WNBG(DX-3484A-2)	B	109.2/80.1
IC301	1140016690	S.IC M24M02-DRMN6TP-HF	T	108.8/75.5
IC302	1130015740	S.IC S-35390A-1B71G	T	99.2/77.2
IC303	1140015231	S.IC R4F20102NFA U1 (EMPTY)	B	103.2/45.2
IC304	1130017182	S.IC RMLV0416EGBG-4S2	B	98.4/82.3
IC305	1180003980	S.REG XC6221A332MR-G	B	114.6/32.0
IC306	1180003980	S.REG XC6221A332MR-G	B	124.4/33.0
IC307	1110006490	S.IC LMV321DCKR	T	120.7/30.8
IC308	1110007820	S.IC S-80929CNPFF-G8ZTFG	T	117.6/83.8
IC309	6910022360	S.DC TP562110RSAR	B	126.6/108.8
IC310	1190002500	S.IC ZXCT1022E5TA	B	84.6/113.7
IC311	1180003980	S.REG XC6221A332MR-G	B	110.0/99.8
IC312	1130014260	S.IC SN74LVC2GU04DCKR	T	125.2/102.3
IC313	1180004410	S.REG NJM2835DL1-08-TE1-#ZZZB	B	94.9/132.9
IC314	1180003980	S.REG XC6221A332MR-G	T	106.7/93.7
IC315	1130011760	S.IC CD4094BPWR	T	15.9/18.3
IC316	1130011760	S.IC CD4094BPWR	T	15.9/24.9
IC317	1130011760	S.IC CD4094BPWR	T	15.9/31.5
IC318	1120003020	S.IC MAX3221IPWR	T	101.5/138.7
IC319	1180003470	S.REG NJM2835DL1-05-TE1-#ZZZB	T	113.1/101.7
IC320	1110007620	S.IC NJU7704F3-42A-TE1-#ZZZB	T	105.8/130.1
IC321	1180004410	S.REG NJM2835DL1-08-TE1-#ZZZB	B	107.4/132.9
IC323	1180003920	S.REG XC6222D421MR-G	T	104.8/98.4
IC324	1110007620	S.IC NJU7704F3-42A-TE1-#ZZZB	T	109.2/131.8
IC400	1140016370	S.IC TMS320C5517AZCHA20	T	122.4/60.4
IC401	1130015620	S.IC EN25Q40-100GIP <MSK>	B	127.0/61.5
IC402	1110007770	S.IC PCM3008T/2K	B	106.6/62.1
IC403	1180003980	S.REG XC6221A332MR-G	T	108.9/53.1
IC404	1180004480	S.REG XC6221A142MR-G	T	118.6/51.6
IC405	1110008210	S.IC OPA356AIDBVR	T	111.3/62.3
IC406	1110006470	S.IC LMV324IPWR	T	98.5/54.6
IC407	1110006470	S.IC LMV324IPWR	T	97.9/66.0

Eqv.= This component is equivalent to the REF No. component listed above, and may be substituted on parts orders and repairs.

[MAIN UNIT]

REF NO.	PARTS NO.	DESCRIPTION	M.	H/V LOCATION
Q108	1590004070	S.TRA LDTC144EET1G <SLVJ>	T	88.5/31.4
Q110	1590004070	S.TRA LDTC144EET1G <SLVJ>	T	112.8/41.2
Q112	1590004590	S.TRA DMC506010R	T	105.4/35.6
Q113	1590004590	S.TRA DMC506010R	T	95.6/35.4
Q117	1590004070	S.TRA LDTC144EET1G <SLVJ>	T	11.1/42.6
Q118	1590004070	S.TRA LDTC144EET1G <SLVJ>	T	15.2/42.6
Q119	1590005220	S.TRA LDTA114YET1G <SLVJ>	T	50.5/44.7
Q120	1590005220	S.TRA LDTA114YET1G <SLVJ>	T	51.5/44.7
Q121	1590004070	S.TRA LDTC144EET1G <SLVJ>	T	8.9/42.6
Q122	1590004070	S.TRA LDTC144EET1G <SLVJ>	T	49.9/42.6
Q123	1590004050	S.TRA LDTA144EET1G <SLVJ>	T	7.4/44.7
Q124	1590004050	S.TRA LDTA144EET1G <SLVJ>	T	48.4/44.7
Q125	1590004390	S.TRA DMG504010R	B	30.9/14.4
Q126	1590004390	S.TRA DMG504010R	B	37.1/21.4
Q127	1590004070	S.TRA LDTC144EET1G <SLVJ>	B	6.9/51.1
Q128	1590004070	S.TRA LDTC144EET1G <SLVJ>	B	47.9/51.1
Q129	1590005220	S.TRA LDTA114YET1G <SLVJ>	T	28.8/23.2
Q130	1590005220	S.TRA LDTA114YET1G <SLVJ>	T	29.3/25.3
Q131	1590004070	S.TRA LDTC144EET1G <SLVJ>	B	6.9/64.5
Q132	1590004070	S.TRA LDTC144EET1G <SLVJ>	B	47.8/64.5
Q133	1530003990	S.TRA 2SC4738-BL(Te85LF)	B	7.9/66.6
Q134	1530003990	S.TRA 2SC4738-BL(Te85LF)	B	48.9/66.6
Q137	1530002601	S.TRA 2SC4215-O(Te85RF)	T	6.9/70.0
Q138	1530002601	S.TRA 2SC4215-O(Te85RF)	T	48.0/70.0
Q139	1590004090	S.TRA LDTC114YET1G <SLVJ>	T	101.1/38.0
Q140	1590004090	S.TRA LDTC114YET1G <SLVJ>	T	91.3/37.9
Q141	1590004070	S.TRA LDTC144EET1G <SLVJ>	T	8.0/46.8
Q142	1590004070	S.TRA LDTC144EET1G <SLVJ>	T	49.0/46.8
Q200	1530003990	S.TRA 2SC4738-BL(Te85LF)	B	26.1/38.4
Q201	1560000541	S.FET 2SK880-Y(T5R1COMF)	T	82.6/35.9
Q202	1590004070	S.TRA LDTC144EET1G <SLVJ>	T	78.7/32.6
Q205	1590004070	S.TRA LDTC144EET1G <SLVJ>	T	81.5/52.6
Q206	1530003990	S.TRA 2SC4738-BL(Te85LF)	B	66.0/43.1
Q207	1590004070	S.TRA LDTC144EET1G <SLVJ>	T	73.8/54.3
Q208	1590004070	S.TRA LDTC144EET1G <SLVJ>	B	61.0/44.9
Q209	1590004070	S.TRA LDTC144EET1G <SLVJ>	B	61.0/46.9
Q210	1530003582	S.TRA 2SC5231A-8-TL-E	T	73.8/57.8
Q211	1530003582	S.TRA 2SC5231A-8-TL-E	T	69.0/49.0
Q212	1590004580	S.TRA DMA501010R	B	65.3/45.9
Q213	1530003321	S.TRA 2SC5108-Y(Te85RF)	T	59.5/57.7
Q214	1530003321	S.TRA 2SC5108-Y(Te85RF)	T	73.1/57.8
Q215	1530003321	S.TRA 2SC5108-Y(Te85RF)	T	65.4/51.0
Q220	1530003990	S.TRA 2SC4738-BL(Te85LF)	B	21.4/38.4
Q221	1560000541	S.FET 2SK880-Y(T5R1COMF)	T	38.2/33.3
Q222	1590004070	S.TRA LDTC144EET1G <SLVJ>	T	35.0/29.4
Q226	1530003990	S.TRA 2SC4738-BL(Te85LF)	B	26.3/43.5
Q227	1590004070	S.TRA LDTC144EET1G <SLVJ>	T	41.8/52.5
Q228	1590004070	S.TRA LDTC144EET1G <SLVJ>	T	34.2/54.3
Q229	1590004070	S.TRA LDTC144EET1G <SLVJ>	B	22.2/44.9
Q230	1590004070	S.TRA LDTC144EET1G <SLVJ>	B	22.2/46.9
Q231	1590004580	S.TRA DMA501010R	B	26.5/45.9
Q232	1530003582	S.TRA 2SC5231A-8-TL-E	T	38.9/57.8
Q233	1530003582	S.TRA 2SC5231A-8-TL-E	T	29.3/48.3
Q234	1530003321	S.TRA 2SC5108-Y(Te85RF)	T	20.0/53.2
Q235	1530003321	S.TRA 2SC5108-Y(Te85RF)	T	33.5/57.8
Q236	1530003321	S.TRA 2SC5108-Y(Te85RF)	T	25.7/50.6
Q237	1530003582	S.TRA 2SC5231A-8-TL-E	T	60.3/47.5
Q240	1590005220	S.TRA LDTA114YET1G <SLVJ>	B	67.8/45.3
Q241	1590004070	S.TRA LDTC144EET1G <SLVJ>	B	67.8/47.6
Q301	1590004090	S.TRA LDTC114YET1G <SLVJ>	B	101.9/136.1
Q302	1520000910	S.TRA 2SB1132L-R-AB3-R <SLVJ>	T	150.2/131.0
Q303	1550000990	S.FET RSQ035P03TR	B	111.7/103.3
Q304	1510001100	S.TRA 2SA1832-GR(Te85RF)	T	125.8/105.5
Q305	1530003990	S.TRA 2SC4738-BL(Te85LF)	T	124.2/107.8
Q306	1520000910	S.TRA 2SB1132L-R-AB3-R <SLVJ>	B	113.4/132.6
Q402	1590004070	S.TRA LDTC144EET1G <SLVJ>	T	108.9/69.0

M.=Mounted side (T: Mounted on the Top side, B: Mounted on the Bottom side) S.=Surface mount

[MAIN UNIT]

REF NO.	PARTS NO.	DESCRIPTION	M.	H/V LOCATION
D50	1790001621	S.DIO 1SV308(TPL3F)	T	68.5/76.1
D52	1790001621	S.DIO 1SV308(TPL3F)	T	27.7/76.1
D53	1750001810	S.DIO L1SS400T1G <SLVJ>	B	85.0/71.1
D55	1750001810	S.DIO L1SS400T1G <SLVJ>	B	39.5/71.1
D59	1750001820	S.DIO LRB706F-40T1G <SLVJ>	B	77.2/131.0
D62	1750001820	S.DIO LRB706F-40T1G <SLVJ>	B	38.8/108.4
D63	1750001820	S.DIO LRB706F-40T1G <SLVJ>	B	71.2/130.3
D66	1750002190	S.DIO JDP2S12CR(TE85LQ)	B	77.1/145.4
D67	1750001820	S.DIO LRB706F-40T1G <SLVJ>	B	28.7/130.2
D68	1750002190	S.DIO JDP2S12CR(TE85LQ)	B	40.4/134.2
D69	1790001621	S.DIO 1SV308(TPL3F)	B	68.7/143.0
D70	1790001621	S.DIO 1SV308(TPL3F)	B	69.9/143.0
D73	1750002190	S.DIO JDP2S12CR(TE85LQ)	T	81.8/140.0
D75	1790001621	S.DIO 1SV308(TPL3F)	T	30.0/141.8
D77	1790001621	S.DIO 1SV308(TPL3F)	T	72.8/143.6
D79	1750001810	S.DIO L1SS400T1G <SLVJ>	T	28.8/141.8
D81	1750001810	S.DIO L1SS400T1G <SLVJ>	T	72.8/142.3
D84	1750002190	S.DIO JDP2S12CR(TE85LQ)	B	42.5/134.2
D85	1720000701	S.VAR 1SV305(TPL3F)	T	25.6/125.3
D86	1720000701	S.VAR 1SV305(TPL3F)	T	19.0/111.1
D87	1720000701	S.VAR 1SV305(TPL3F)	T	68.1/114.3
D88	1720000701	S.VAR 1SV305(TPL3F)	T	70.3/129.0
D100	1750001810	S.DIO L1SS400T1G <SLVJ>	T	58.8/21.3
D101	1730002850	S.ZEN DZJ047MOL	T	71.5/17.2
D102	1750001810	S.DIO L1SS400T1G <SLVJ>	T	108.7/10.8
D103	1750001810	S.DIO L1SS400T1G <SLVJ>	T	109.9/10.8
D105	1750002020	S.DIO DA2S10100L	T	12.0/51.3
D106	1750002020	S.DIO DA2S10100L	T	10.2/50.0
D107	1750002020	S.DIO DA2S10100L	T	53.0/51.3
D108	1750002020	S.DIO DA2S10100L	T	51.2/50.0
D109	1750002020	S.DIO DA2S10100L	T	5.4/50.2
D110	1750002020	S.DIO DA2S10100L	T	6.6/50.2
D111	1750002020	S.DIO DA2S10100L	T	46.4/50.2
D112	1750002020	S.DIO DA2S10100L	T	47.6/50.2
D113	1750001820	S.DIO LRB706F-40T1G <SLVJ>	T	9.0/67.5
D114	1750001820	S.DIO LRB706F-40T1G <SLVJ>	T	50.0/67.5
D115	1750002170	S.DIO DB2S31400L	T	8.9/72.8
D116	1750002170	S.DIO DB2S31400L	T	49.9/72.8
D117	1750001820	S.DIO LRB706F-40T1G <SLVJ>	T	6.4/75.2
D118	1750001820	S.DIO LRB706F-40T1G <SLVJ>	T	47.4/75.2
D201	1750002860	S.VAR BBY57-02V H6327 <RYOYO>	T	79.1/49.0
D202	1750002860	S.VAR BBY57-02V H6327 <RYOYO>	T	81.7/47.8
D203	1750001770	S.VAR 1SV323(TPH3F)	T	74.6/44.8
D204	1750001770	S.VAR 1SV323(TPH3F)	T	74.6/46.0
D205	1750001790	S.DIO 1SS390 TE61	T	79.4/54.0
D206	1750001790	S.DIO 1SS390 TE61	T	72.6/51.8
D207	1750001810	S.DIO L1SS400T1G <SLVJ>	T	68.7/56.9
D208	1750002210	S.DIO DA2S00100L	T	63.7/55.3
D209	1750002210	S.DIO DA2S00100L	T	69.1/58.7
D211	1750001810	S.DIO L1SS400T1G <SLVJ>	B	71.6/41.3
D212	1750002210	S.DIO DA2S00100L	T	67.6/80.3
D213	1750002210	S.DIO DA2S00100L	T	65.8/79.4
D216	1750002210	S.DIO DA2S00100L	T	62.5/85.2
D217	1750002210	S.DIO DA2S00100L	T	64.5/85.5
D221	1750001810	S.DIO L1SS400T1G <SLVJ>	B	30.9/39.6
D223	1750002860	S.VAR BBY57-02V H6327 <RYOYO>	T	39.5/49.0
D224	1750002860	S.VAR BBY57-02V H6327 <RYOYO>	T	42.1/47.8
D225	1750001770	S.VAR 1SV323(TPH3F)	T	34.1/43.7
D226	1750001770	S.VAR 1SV323(TPH3F)	T	34.8/45.5
D227	1750001770	S.VAR 1SV323(TPH3F)	T	37.0/48.4
D228	1750001770	S.VAR 1SV323(TPH3F)	T	68.4/44.6
D229	1750001790	S.DIO 1SS390 TE61	T	39.7/54.0
D230	1750001790	S.DIO 1SS390 TE61	T	33.0/51.8
D231	1750001810	S.DIO L1SS400T1G <SLVJ>	T	29.1/56.9
D232	1750002210	S.DIO DA2S00100L	T	24.0/54.8
D233	1750002210	S.DIO DA2S00100L	T	29.4/58.7
D234	1750002210	S.DIO DA2S00100L	T	26.6/82.9
D235	1750002210	S.DIO DA2S00100L	T	25.5/80.2
D236	1750002210	S.DIO DA2S00100L	T	19.1/86.4
D237	1750002210	S.DIO DA2S00100L	T	18.3/84.6
D238	1750001270	S.VAR 1SV325(TPH3F)	T	64.5/45.7
D239	1750001270	S.VAR 1SV325(TPH3F)	T	62.7/44.9
D240	1750001810	S.DIO L1SS400T1G <SLVJ>	T	61.8/52.3
D241	1750001810	S.DIO L1SS400T1G <SLVJ>	T	61.0/50.2
D300	1750001810	S.DIO L1SS400T1G <SLVJ>	T	120.5/84.4
D301	1750001820	S.DIO LRB706F-40T1G <SLVJ>	T	115.0/74.8
D302	1750001820	S.DIO LRB706F-40T1G <SLVJ>	T	117.5/74.8
D303	1750001770	S.VAR 1SV323(TPH3F)	B	125.3/72.6
D304	1750001770	S.VAR 1SV323(TPH3F)	B	125.3/71.4
D305	1750001810	S.DIO L1SS400T1G <SLVJ>	T	101.0/74.9
D306	1750001770	S.VAR 1SV323(TPH3F)	B	118.4/42.4
D310	1750001810	S.DIO L1SS400T1G <SLVJ> [EUR-01]	T	93.2/111.3
	1750001810	S.DIO L1SS400T1G <SLVJ> [ITR-01]	T	
	1750001810	S.DIO L1SS400T1G <SLVJ> [TPE-01]	T	
	1750001810	S.DIO L1SS400T1G <SLVJ> [USA-01]	T	
	1750001810	S.DIO L1SS400T1G <SLVJ> [KOR-01]	T	
D312	1750001810	S.DIO L1SS400T1G <SLVJ> [EUR-01]	T	97.5/100.8
	1750001810	S.DIO L1SS400T1G <SLVJ> [ITR-01]	T	
	1750001810	S.DIO L1SS400T1G <SLVJ> [TPE-01]	T	
	1750001810	S.DIO L1SS400T1G <SLVJ> [USA-01]	T	
	1750001810	S.DIO L1SS400T1G <SLVJ> [KOR-01]	T	
D314	1750001810	S.DIO L1SS400T1G <SLVJ> [ITR-01]	T	95.7/111.3
	1750001810	S.DIO L1SS400T1G <SLVJ> [TPE-01]	T	
D316	1750001810	S.DIO L1SS400T1G <SLVJ> [KOR-01]	T	
		Only [TPE-01]	T	95.0/100.6
D317	1750001810	S.DIO L1SS400T1G <SLVJ> [EUR-01]	T	95.5/105.0
	1750001810	S.DIO L1SS400T1G <SLVJ> [ITR-01]	T	
	1750001810	S.DIO L1SS400T1G <SLVJ> [TPE-01]	T	
	1750001810	S.DIO L1SS400T1G <SLVJ> [KOR-01]	T	
	1750001810	S.DIO L1SS400T1G <SLVJ> [EXP-01]	T	
D318	1750001810	S.DIO L1SS400T1G <SLVJ> [ITR-01]	T	93.2/112.5
	1750001810	S.DIO L1SS400T1G <SLVJ> [TPE-01]	T	
	1750001810	S.DIO L1SS400T1G <SLVJ> [KOR-01]	T	

Eqv.= This component is equivalent to the REF No. component listed above, and may be substituted on parts orders and repairs.

[MAIN UNIT]

REF NO.	PARTS NO.	DESCRIPTION	M.	H/V LOCATION
D319	1750001810	S.DIO L1SS400T1G <SLVJ> [EUR-01]	T	97.5/99.6
	1750001810	S.DIO L1SS400T1G <SLVJ> [ITR-01]	T	
D321	1750001810	S.DIO L1SS400T1G <SLVJ> [TPE-01]	T	95.7/112.5
	1750001810	S.DIO L1SS400T1G <SLVJ> [KOR-01]	T	
	1750001810	S.DIO L1SS400T1G <SLVJ> [EXP-01]	T	
D322	1750001810	S.DIO L1SS400T1G <SLVJ> [EUR-01]	T	95.0/99.4
	1750001810	S.DIO L1SS400T1G <SLVJ> [TPE-01]	T	
	1750001810	S.DIO L1SS400T1G <SLVJ> [EXP-01]	T	
D324	1710001300	DIO P6KA18AHE3/54 <TOMEN>	B	112.4/100.1
D325	1750001810	S.DIO L1SS400T1G <SLVJ>	B	110.2/105.6
D326	1750001810	S.DIO L1SS400T1G <SLVJ>	T	122.6/107.6
D327	1750001810	S.DIO L1SS400T1G <SLVJ>	T	95.5/74.2
D328	1750001820	S.DIO LRB706F-40T1G <SLVJ>	T	113.9/100.4
D331	1750002110	S.DIO LRB551V-30T1G <SLVJ>	T	106.5/104.1
D332	1750002110	S.DIO LRB551V-30T1G <SLVJ>	T	107.4/99.8
D333	1750002110	S.DIO LRB551V-30T1G <SLVJ>	B	102.1/71.6
D334	1750001820	S.DIO LRB706F-40T1G <SLVJ>	T	107.3/84.7
D335	1750001820	S.DIO LRB706F-40T1G <SLVJ>	T	103.7/90.2
D336	1750001820	S.DIO LRB706F-40T1G <SLVJ>	T	101.1/89.6
D337	1750001820	S.DIO LRB706F-40T1G <SLVJ>	B	105.3/102.9
D338	1750001820	S.DIO LRB706F-40T1G <SLVJ>	B	
F1100	2020002520	S.CER LTWC450H <JJE>	B	10.9/34.2
F1101	2020002480	S.CER LTWC450E1 <JJE>	B	10.9/43.7
F1102	2020002520	S.CER LTWC450H <JJE>	B	51.9/34.2
F1103	2020002480	S.CER LTWC450E1 <JJE>	B	51.9/43.7
F1104	2030000600	S.MON MFT46.3P2 46.350 MHz (FL-409)	T	8.6/80.9
F1105	2030000590	S.MON MFT38P5 38.850 MHz (FL-408)	T	50.2/80.9
X101	6070000300	S.DIS JTBM450CX24 <JJE>	B	9.7/56.5
X102	6070000300	S.DIS JTBM450CX24 <JJE>	B	50.7/56.5
X200	6050012450	S.XTA CR-833 TTS14VSB-A3 12.800 MHz	B	62.2/33.4
X201	6050012830	S.XTA CR-875 TTS14VSB-A3 15.3 MHz	B	23.7/33.5
X300	6050012730	S.XTA CR-864(SMD-49/12.288 MHz) <JJE>	B	121.7/79.7
X301	6050013250	S.XTA CR-925 (NX3215SA 32.768 kHz)	T	98.8/81.7
X302	6050012530	S.XTA CR-841(SMD49/19.6608 MHz) <JJE>	B	115.2/44.2
X400	6050013170	S.XTA CR-914 TTS18VSE-A11 12.288 MHz	T	111.7/68.0
L1	6200007891	S.COI ELJRF 27NJFB	T	11.9/109.3
L2	6200007891	S.COI ELJRF 27NJFB	T	62.5/113.7
L3	6200011730	S.COI LQW18AN10NG00D	T	9.3/109.7
L4	6200011730	S.COI LQW18AN10NG00D	T	60.2/115.8
L5	6200003550	S.COI MLF1608A 4R7K-T	T	11.7/107.6
L6	6200003550	S.COI MLF1608A 4R7K-T	T	63.2/116.6
L7	6200007901	S.COI ELJRF 22NJFB	T	15.4/112.5
L8	6200007901	S.COI ELJRF 22NJFB	T	67.4/110.3
L9	6200011650	S.COI LQW18AN68NG00D	T	19.4/109.2
L10	6200011650	S.COI LQW18AN68NG00D	T	66.9/112.1
L11	6200009220	S.COI LQW18AN15NG00D (LQW1608A15NG00)	T	10.0/114.8
L12	6200009220	S.COI LQW18AN15NG00D (LQW1608A15NG00)	T	54.5/114.9
L13	6200003550	S.COI MLF1608A 4R7K-T	T	8.4/117.3
L14	6200003550	S.COI MLF1608A 4R7K-T	T	52.1/113.2
L15	6200009070	S.COI LQW18AN18NG00D (LQW1608A18NG00)	T	10.0/118.6
L16	6200009070	S.COI LQW18AN18NG00D (LQW1608A18NG00)	T	52.4/115.8
L17	6200011770	S.COI LQW18ANR10G00D	T	18.2/117.7
L18	6200011770	S.COI LQW18ANR10G00D	T	66.2/119.2
L19	6200003550	S.COI MLF1608A 4R7K-T	T	8.6/125.2
L20	6200003550	S.COI MLF1608A 4R7K-T	T	51.6/122.8
L21	6200013010	S.COI 0.30-0.9-5TL 10.3N <COMO>	T	54.5/124.0
L22	6200013010	S.COI 0.30-0.9-5TL 10.3N <COMO>	T	10.1/127.5
L23	6200011650	S.COI LQW18AN68NG00D	T	25.5/122.7
L24	6200011650	S.COI LQW18AN68NG00D	T	70.4/126.4
L25	6200009070	S.COI LQW18AN18NG00D (LQW1608A18NG00)	T	23.6/123.5
L26	6200009070	S.COI LQW18AN18NG00D (LQW1608A18NG00)	T	68.5/127.1
L27	6200012520	S.COI 0.26-1.0-5TL 12N <COMO>	T	10.4/132.9
L28	6200012520	S.COI 0.26-1.0-5TL 12N <COMO>	T	54.6/129.5
L29	6200003550	S.COI MLF1608A 4R7K-T	T	8.8/135.8
L30	6200003550	S.COI MLF1608A 4R7K-T	T	52.9/132.4
L31	6200010910	S.COI LQW18AN56NG00D	T	68.5/132.1
L32	6200010910	S.COI LQW18AN56NG00D	T	23.6/128.5
L33	6200011590	S.COI LQW18AN39NG00D	T	25.5/129.2
L34	6200011590	S.COI LQW18AN39NG00D	T	69.4/134.0
L37	6200011590	S.COI LQW18AN39NG00D	T	17.8/136.2
L38	6200013650	S.COI LQW18ANR27G00D	T	61.2/138.1
L40	6200009980	S.COI C2012C-18NG-A	T	23.9/140.3
L44	6200010020	S.COI C2012C-12NG-A	T	25.3/137.6
L45	6200010350	S.COI C2012C-R27G-A	T	65.3/144.3
L47	6200009980	S.COI C2012C-82NG-A	T	

[MAIN UNIT]

REF NO.	PARTS NO.	DESCRIPTION	M.	H/V LOCATION
L73	6200010160	S.COI AS080440-22N	B	39.0/126.8
L76	6200010420	S.COI FHW1210HC 1R0JGT <JJE>	B	81.8/145.0
L79	6200010060	S.COI AS080647-56N	B	62.4/150.4
L80	6200010060	S.COI AS080647-56N	B	71.2/146.8
L81	6200010420	S.COI FHW1210HC 1R0JGT <JJE>	B	43.4/129.3
L83	6200010070	S.COI AS080747-68N	B	55.5/151.7
L84	6200010150	S.COI AS080340-15N	B	37.3/141.3
L85	6200012900	S.COI 0.30-2.0-7TL 57.2N <COMO>	T	69.3/145.6
L86	6200010150	S.COI AS080340-15N	B	34.8/136.6
L87	6200010170	S.COI AS080447-33N	B	48.7/149.5
L88	6200010150	S.COI AS080340-15N	B	37.3/146.1
L90	6200010040	S.COI AS100340-10N	B	29.0/149.5
L92	6200012960	S.COI 0.45-1.4-4TL 12.1N <COMO>	T	33.0/141.5
L94	6200010160	S.COI AS080440-22N	B	23.6/144.3
L96	6200010040	S.COI AS100340-10N	B	16.2/143.9
L97	6200007901	S.COI ELJRF 22NJFB	T	53.9/134.6
L98	6200007901	S.COI ELJRF 22NJFB	T	18.8/134.5
L200	6200005140	S.COI MLF1608D R33K-T	T	8.9/70.1
L201	6200005140	S.COI MLF1608D R33K-T	T	50.0/70.1
L204	6130003000	S.COI #617DB-1714=P3	T	9.5/94.8
L205	6130003000	S.COI #617DB-1714=P3	T	15.8/95.4
L206	6130003000	S.COI #617DB-1714=P3	T	16.2/101.6
L207	6130003000	S.COI #617DB-1714=P3	T	49.1/94.8
L208	6130003000	S.COI #617DB-1714=P3	T	55.5/95.4
L209	6130003000	S.COI #617DB-1714=P3	T	55.9/101.6
L300	6200004480	S.COI MLF1608D R2K-T	B	58.6/36.3
L301	6200003540	S.COI MLF1608D R2K-T	B	60.4/39.0
L302	6190002030	S.COI MLG1608S 1R0J-T	T	79.3/46.7
L303	6190002030	S.COI MLG1608S 1R0J-T	T	76.6/44.6
L304	6200013460	S.COI C2012H-10NH-R-0231	T	78.5/50.7
L305	6200015290	S.COI C2012H-5N6D-R-0231	T	81.8/50.4
L306	6200015250	S.COI C2012H-27NH-R-0231	T	72.4/45.9
L307	6200015250	S.COI C2012H-27NH-R-0231	T	72.9/48.5
L309	6200011031	S.COI ELJRF R10JFB	T	59.9/56.1
L310	6200007871	S.COI ELJRF 39NJFB	T	71.6/57.5
L311	6200009351	S.COI ELJRE R22GFA	T	63.7/50.3
L314	6200010991	S.COI ELJRF 47NJFB	T	67.7/85.5
L315	6200007931	S.COI ELJRF 12NJFB	T	64.0/82.2
L316	6200010991	S.COI ELJRF 47NJFB	T	66.5/85.6
L324	6200004480	S.COI MLF1608D R2K-T	B	17.6/36.5
L325	6200003540	S.COI MLF1608D R2K-T	B	19.7/39.0
L326	6190002030	S.COI MLG1608S 1R0J-T	T	39.7/46.7
L327	6190002030	S.COI MLG1608S 1R0J-T	T	37.0/44.3
L328	6200013460	S.COI C2012H-10NH-R-0231	T	38.8/50.7
L329	6200015290	S.COI C2012H-5N6D-R-0231	T	42.1/50.4
L330	6200015250	S.COI C2012H-27NH-R-0231	T	32.8/45.9
L331	6200015250	S.COI C2012H-27NH-R-0231	T	33.2/48.5
L333	6200011031	S.COI ELJRF R10JFB	T	20.2/51.7
L334	6200007871	S.COI ELJRF 39NJFB	T	31.9/57.5
L335	6200010381	S.COI ELJRE R15JFA	T	24.0/49.9
L337	6200007931	S.COI ELJRF 12NJFB	T	20.7/84.1
L338	6200010991	S.COI ELJRF 47NJFB	T	19.5/80.2
L339	6200010991	S.COI ELJRF 47NJFB	T	18.1/81.4
L340	6190002030	S.COI MLG1608S 1R0J-T	T	64.4/43.7
L341	6200011680	S.COI LQW18ANR12G00D	T	62.7/46.2
L400	6200014270	S.COI LQM2HPN2R2MJ0L	B	117.9/109.7
L401	6200014470	S.COI LQH44PN100MP0L	B	125.7/103.9
L402	6200014270	S.COI LQM2HPN2R2MJ0L	B	121.9/101.0
R7	7030005040	S.RES ERJ2GEJ 472 X (4.7K)	T	62.7/109.0
R8	7030005000	S.RES ERJ2GEJ 471 X (470)	T	63.3/118.7
R9	7030007290	S.RES ERJ2GEJ 222 X (2.2K)	T	12.7/111.1
R10	7030005040	S.RES ERJ2GEJ 472 X (4.7K)	T	14.4/110.2
R11	7030005000	S.RES ERJ2GEJ 471 X (470)	T	14.6/107.8
R12	7030007290	S.RES ERJ2GEJ 222 X (2.2K)	T	61.8/112.8
R13	7030005090	S.RES ERJ2GEJ 104 X (100K)	T	8.0/111.4
R14	7030005090	S.RES ERJ2GEJ 104 X (100K)	T	58.1/113.7
R15	7030005090	S.RES ERJ2GEJ 104 X (100K)	T	8.0/112.7
R16	7030005090	S.RES ERJ2GEJ 104 X (100K)	T	57.2/113.7
R17	7030007290	S.RES ERJ2GEJ 222 X (2.2K)	T	14.7/114.1
R18	7030007290	S.RES ERJ2GEJ 222 X (2.2K)	T	69.0/110.3
R19	7030005000	S.RES ERJ2GEJ 471 X (470)	T	5.8/116.9
R20	7030005000	S.RES ERJ2GEJ 471 X (470)	T	51.0/111.5
R21	7030004970	S.RES ERJ2GEJ 470 X (47)	T	7.1/118.4
R22	7030004970	S.RES ERJ2GEJ 470 X (47)	T	50.8/114.2
R23	7030005090	S.RES ERJ2GEJ 104 X (100K)	T	22.2/111.3
R24	7030005090	S.RES ERJ2GEJ 104 X (100K)	T	71.3/114.5
R25	7030007280	S.RES ERJ2GEJ 331 X (330)	T	10.5/119.6
R26	7030007280	S.RES ERJ2GEJ 331 X (330)	T	51.4/115.4
R27	7030005090	S.RES ERJ2GEJ 104 X (100K)	T	22.2/112.2
R28	7030005090	S.RES ERJ2GEJ 104 X (100K)	T	71.3/115.4
R29	7030005090	S.RES ERJ2GEJ 104 X (100K)	T	18.6/114.4
R30	7030005090	S.RES ERJ2GEJ 104 X (100K)	T	67.4/117.6
R31	7030004980	S.RES ERJ2GEJ 101 X (100)	T	8.9/120.9
R32	7030004980	S.RES ERJ2GEJ 101 X (100)	T	51.9/117.5
R33	7030005090	S.RES ERJ2GEJ 104 X (100K)	T	9.1/123.1
R34	7030005090	S.RES ERJ2GEJ 104 X (100K)	T	52.1/120.8
R35	7030005530	S.RES ERJ2GEJ 100 X (10)	T	10.3/123.7
R36	7030005530	S.RES ERJ2GEJ 100 X (10)	T	53.3/120.8
R37	7030005310	S.RES ERJ2GEJ 124 X (120K)	T	13.0/121.6
R38	7030005310	S.RES ERJ2GEJ 124 X (120K)	T	56.0/119.4
R39	7030005010	S.RES ERJ2GEJ 681 X (680)	T	19.2/112.2
R40	7030005010	S.RES ERJ2GEJ 681 X (680)	T	67.2/119.2
R41	7030010040	S.RES ERJ2GEJ-JPW	T	12.4/123.8
R42	7030010040	S.RES ERJ2GEJ-JPW	T	55.4/121.3
R43	7030005110	S.RES ERJ2GEJ 224 X (220K)	T	12.4/124.7
R44	7030005110	S.RES ERJ2GEJ 224 X (220K)	T	55.4/120.4
R45	7030004970	S.RES ERJ2GEJ 470 X (47)	T	19.2/118.8
R46	7030004970	S.RES ERJ2GEJ 470 X (47)	T	67.2/120.8
R47	7030008290	S.RES ERJ2GEJ 183 X (18K)	T	9.1/124.2
R48	7030008290	S.RES ERJ2GEJ 183 X (18K)	T	52.1/121.7
R49	7030004990	S.RES ERJ2GEJ 221 X (220)	T	23.0/116.4
R50	7030004990	S.RES ERJ2GEJ 221 X (220)	T	71.0/118.4
R51	7030005090	S.RES ERJ2GEJ 104 X (100K)	T	21.5/120.0

Eqv.= This component is equivalent to the REF No. component listed above, and may be substituted on parts orders and repairs.

[MAIN UNIT]

REF NO.	PARTS NO.	DESCRIPTION	M.	H/V LOCATION
R52	7030005090	S.RES ERJ2GEJ 104 X (100K)	T	69.6/122.0
R53	7030005530	S.RES ERJ2GEJ 100 X (10)	T	20.3/120.4
R54	7030005530	S.RES ERJ2GEJ 100 X (10)	T	68.4/122.4
R55	7030005310	S.RES ERJ2GEJ 124 X (120K)	T	23.0/119.1
R56	7030005310	S.RES ERJ2GEJ 124 X (120K)	T	71.0/121.1
R57	7030010040	S.RES ERJ2GEJ-JPW	T	19.1/121.6
R58	7030010040	S.RES ERJ2GEJ-JPW	T	66.6/122.4
R59	7030005110	S.RES ERJ2GEJ 224 X (220K)	T	20.3/122.0
R60	7030005110	S.RES ERJ2GEJ 224 X (220K)	T	68.4/124.0
R61	7030008290	S.RES ERJ2GEJ 183 X (18K)	T	19.4/120.4
R62	7030008290	S.RES ERJ2GEJ 183 X (18K)	T	67.5/122.4
R63	7030005000	S.RES ERJ2GEJ 471 X (470)	T	6.0/126.6
R64	7030005000	S.RES ERJ2GEJ 471 X (470)	T	49.0/122.5
R65	7030005090	S.RES ERJ2GEJ 104 X (100K)	T	7.5/130.6
R66	7030005090	S.RES ERJ2GEJ 104 X (100K)	T	51.8/126.3
R67	7030005090	S.RES ERJ2GEJ 104 X (100K)	T	7.5/131.5
R68	7030005090	S.RES ERJ2GEJ 104 X (100K)	T	51.8/127.2
R69	7030005090	S.RES ERJ2GEJ 104 X (100K)	T	28.7/125.5
R70	7030005090	S.RES ERJ2GEJ 104 X (100K)	T	73.5/129.2
R71	7030005000	S.RES ERJ2GEJ 471 X (470)	T	6.2/135.3
R72	7030005000	S.RES ERJ2GEJ 471 X (470)	T	50.0/132.4
R73	7030005090	S.RES ERJ2GEJ 104 X (100K)	T	28.7/126.4
R74	7030005090	S.RES ERJ2GEJ 104 X (100K)	T	73.5/130.1
R75	7030005240	S.RES ERJ2GEJ 473 X (47K)	T	72.8/98.2
R76	7030005240	S.RES ERJ2GEJ 473 X (47K)	T	72.8/99.1
R77	7030008400	S.RES ERJ2GEJ 182 X (1.8K)	T	11.9/136.6
R78	7030008400	S.RES ERJ2GEJ 182 X (1.8K)	T	25.8/134.7
R79	7030008400	S.RES ERJ2GEJ 182 X (1.8K)	T	69.9/136.9
R80	7030008400	S.RES ERJ2GEJ 182 X (1.8K)	T	59.1/137.1
R81	7030005710	S.RES ERJ2GEJ 121 X (120)	T	61.1/135.5
R82	7030004980	S.RES ERJ2GEJ 101 X (100)	T	14.1/134.6
R83	7030004980	S.RES ERJ2GEJ 101 X (100)	T	16.5/134.6
R84	7030005710	S.RES ERJ2GEJ 121 X (120)	T	63.5/135.5
R85	7030010040	S.RES ERJ2GEJ-JPW	T	15.3/135.0
R88	7030004970	S.RES ERJ2GEJ 470 X (47)	T	17.8/138.0
R93	7030005580	S.RES ERJ2GEJ 560 X (56)	T	23.3/135.8
R94	7030010040	S.RES ERJ2GEJ-JPW	T	62.3/136.0
R96	7030004970	S.RES ERJ2GEJ 470 X (47)	T	70.7/140.0
R97	7030005530	S.RES ERJ2GEJ 100 X (10)	T	19.2/138.5
R100	7030008370	S.RES ERJ2GEJ 561 X (560)	T	60.1/138.4
R101	7030004980	S.RES ERJ2GEJ 101 X (100)	T	65.1/137.4
R102	7030005050	S.RES ERJ2GEJ 103 X (10K)	T	18.3/139.2
R103	7030005110	S.RES ERJ2GEJ 224 X (220K)	T	19.2/140.1
R106	7030005530	S.RES ERJ2GEJ 100 X (10)	T	62.1/140.5
R107	7030008300	S.RES ERJ2GEJ 184 X (180K)	T	20.4/138.1
R108	7030005310	S.RES ERJ2GEJ 124 X (120K)	T	21.6/139.1
R111	7030008290	S.RES ERJ2GEJ 183 X (18K)	T	61.2/141.2
R112	7030005110	S.RES ERJ2GEJ 224 X (220K)	T	62.1/142.1
R115	7030005090	S.RES ERJ2GEJ 104 X (100K)	T	63.3/140.1
R116	7030005310	S.RES ERJ2GEJ 124 X (120K)	T	64.5/141.5
R123	7030010040	S.RES ERJ2GEJ-JPW	T	26.6/142.2
R132	7030005120	S.RES ERJ2GEJ 102 X (1K)	T	79.4/65.2
R133	7030005050	S.RES ERJ2GEJ 103 X (10K)	T	86.7/130.0
R134	7030005240	S.RES ERJ2GEJ 473 X (47K)	T	78.5/65.2
R135	7030005090	S.RES ERJ2GEJ 104 X (100K)	T	89.7/126.5
R136	7030005120	S.RES ERJ2GEJ 102 X (1K)	T	87.6/126.2
R137	7030004980	S.RES ERJ2GEJ 101 X (100)	B	68.0/67.2
R138	7030005040	S.RES ERJ2GEJ 472 X (4.7K)	B	68.7/68.9
R140	7030005120	S.RES ERJ2GEJ 102 X (1K)	T	26.7/65.0
R142	7030005240	S.RES ERJ2GEJ 473 X (47K)	T	24.2/63.2
R146	7030007270	S.RES ERJ2GEJ 151 X (150)	B	71.1/65.4
R147	7030009200	S.RES ERJ2GEJ 390 X (39)	B	72.0/66.6
R149	7030004980	S.RES ERJ2GEJ 101 X (100)	B	25.5/67.3
R150	7030005040	S.RES ERJ2GEJ 472 X (4.7K)	B	26.0/68.5
R151	7030007270	S.RES ERJ2GEJ 151 X (150)	B	72.5/65.0
R155	7030007280	S.RES ERJ2GEJ 331 X (330)	B	27.8/68.5
R156	7030005300	S.RES ERJ2GEJ 150 X (15)	B	28.2/67.3
R158	7030005040	S.RES ERJ2GEJ 472 X (4.7K)	B	74.3/67.8
R159	7030005120	S.RES ERJ2GEJ 102 X (1K)	B	77.1/65.6
R160	7030004990	S.RES ERJ2GEJ 221 X (220)	B	74.7/66.6
R162	7030007280	S.RES ERJ2GEJ 331 X (330)	B	28.7/68.5
R163	7030004990	S.RES ERJ2GEJ 221 X (220)	B	73.8/66.6
R164	7030008410	S.RES ERJ2GEJ 392 X (3.9K)	B	31.6/68.0
R165	7030005010	S.RES ERJ2GEJ 681 X (680)	B	29.9/69.0
R168	7030005590	S.RES ERJ2GEJ 680 X (68)	B	80.6/72.1
R170	7030004990	S.RES ERJ2GEJ 221 X (220)	B	32.5/72.1
R172	7030005300	S.RES ERJ2GEJ 150 X (15)	B	78.5/72.8
R173	7030008410	S.RES ERJ2GEJ 392 X (3.9K)	B	80.6/73.0

[MAIN UNIT]

REF NO.	PARTS NO.	DESCRIPTION	M.	H/V LOCATION
R233	7030006070	S.RES ERJ12YJ101U (100)	B	82.2/140.2
R234	7520000290	S.POS PRF18BE471QBSRB	T	39.9/133.0
R236	7030005120	S.RES ERJ2GEJ 102 X (1K)	B	86.1/84.4
R237	7030005060	S.RES ERJ2GEJ 333 X (330K)	B	80.9/90.7
R239	7030006070	S.RES ERJ12YJ101U (100)	B	43.3/123.3
R241	7030007340	S.RES ERJ2GEJ 153 X (15K)	B	27.3/132.0
R242	7030010010	S.RES ERJ2RKF 334 X (330K)	B	79.4/87.5
R245	7030005110	S.RES ERJ2GEJ 224 X (220K)	B	84.9/83.9
R246	7030005050	S.RES ERJ2GEJ 103 X (10K)	B	84.5/82.7
R247	7030005070	S.RES ERJ2GEJ 683 X (68K)	B	83.3/83.9
R249	7030007350	S.RES ERJ2GEJ 393 X (39K)	B	86.8/87.8
R250	7030007290	S.RES ERJ2GEJ 222 X (2.2K)	T	75.9/130.7
R251	7030005060	S.RES ERJ2GEJ 333 X (330K)	B	81.2/83.6
R252	7520000290	S.POS PRF18BE471QBSRB	T	77.1/145.9
R256	7030010010	S.RES ERJ2RKF 334 X (330K)	B	80.6/87.1
R257	7030005080	S.RES ERJ2GEJ 823 X (82K)	B	13.4/146.7
R300	7030005240	S.RES ERJ2GEJ 473 X (47K)	T	65.0/23.9
R301	7030005120	S.RES ERJ2GEJ 102 X (1K)	T	60.0/20.2
R302	7030009280	S.RES ERJ2GEJ 391 X	T	69.7/21.6
R303	7030005090	S.RES ERJ2GEJ 104 X (100K)	B	102.1/68.6
R304	7030010040	S.RES ERJ2GEJ-JPW	T	71.3/22.5
R305	7030007570	S.RES ERJ2GEJ 122 X (1.2K)	T	69.7/22.5
R306	7030005040	S.RES ERJ2GEJ 472 X (4.7K)	T	91.2/85.5
R307	7030005120	S.RES ERJ2GEJ 102 X (1K)	T	91.2/84.6
R308	7030005120	S.RES ERJ2GEJ 102 X (1K)	B	102.5/69.8
R309	7030005120	S.RES ERJ2GEJ 102 X (1K)	T	69.7/20.7
R311	7030005050	S.RES ERJ2GEJ 103 X (10K)	T	72.9/17.7
R312	7030005220	S.RES ERJ2GEJ 223 X (22K)	T	58.4/24.9
R313	7030005050	S.RES ERJ2GEJ 103 X (10K)	T	57.3/23.5
R317	7030010010	S.RES ERJ2RKF 334 X (330K)	B	75.6/20.0
R318	7030008410	S.RES ERJ2GEJ 392 X (3.9K)	T	109.1/30.9
R319	7030012270	S.RES ERJ2RKD 1203X (120K)	B	75.6/18.4
R320	7030005950	S.RES RR0510P-123-D (12K)	B	75.6/16.8
R321	7030007350	S.RES ERJ2GEJ 393 X (39K)	T	108.7/29.7
R322	7030007290	S.RES ERJ2GEJ 222 X (2.2K)	T	58.8/26.1
R324	7030005090	S.RES ERJ2GEJ 104 X (100K)	T	59.7/26.1
R326	7030005000	S.RES ERJ2GEJ 471 X (470)	T	107.0/23.2
R327	7030005170	S.RES ERJ2GEJ 474 X (470K)	T	76.6/17.4
R328	7030005100	S.RES ERJ2GEJ 154 X (150K)	T	106.7/22.0
R329	7030005050	S.RES ERJ2GEJ 103 X (10K)	T	107.5/28.5
R330	7030007350	S.RES ERJ2GEJ 393 X (39K)	T	104.4/28.1
R331	7030005100	S.RES ERJ2GEJ 154 X (150K)	T	109.1/22.9
R332	7030007350	S.RES ERJ2GEJ 393 X (39K)	T	105.4/24.6
R333	7030005220	S.RES ERJ2GEJ 223 X (22K)	T	107.9/21.7
R334	7030005070	S.RES ERJ2GEJ 683 X (68K)	T	107.9/20.8
R335	7030007340	S.RES ERJ2GEJ 153 X (15K)	T	76.3/24.6
R336	7030010040	S.RES ERJ2GEJ-JPW	T	79.0/22.9
R337	7030005160	S.RES ERJ2GEJ 105 X (1M)	T	107.2/11.6
R338	7030005100	S.RES ERJ2GEJ 154 X (150K)	T	107.6/10.4
R339	7030005090	S.RES ERJ2GEJ 104 X (100K)	T	69.8/18.3
R340	7030007290	S.RES ERJ2GEJ 222 X (2.2K)	T	107.9/19.9
R341	7030005090	S.RES ERJ2GEJ 104 X (100K)	T	109.1/25.3
R342	7030005050	S.RES ERJ2GEJ 103 X (10K)	T	106.7/18.6
R343	7030005110	S.RES ERJ2GEJ 224 X (220K)	T	83.4/25.1
R344	7030007340	S.RES ERJ2GEJ 153 X (15K)	T	86.1/24.1
R345	7030007340	S.RES ERJ2GEJ 153 X (15K)	T	108.2/25.3
R346	7030005120	S.RES ERJ2GEJ 102 X (1K)	T	107.9/19.0
R347	7030005110	S.RES ERJ2GEJ 224 X (220K)	T	84.3/24.1
R348	7030007290	S.RES ERJ2GEJ 222 X (2.2K)	T	83.4/26.7
R349	7030007340	S.RES ERJ2GEJ 153 X (15K)	T	85.2/24.1
R351	7030005050	S.RES ERJ2GEJ 103 X (10K)	T	108.1/17.4
R352	7030008010	S.RES ERJ2GEJ 123 X (12K)	T	127.8/139.4
R353	7030005600	S.RES ERJ2GEJ 273 X (27K)	T	106.9/17.4
R354	7030000100	S.RES MCR10EZHH 4.7 (4R7)	B	117.8/118.5
R355	7030007320	S.RES ERJ2GEJ 225 X (2.2M)	T	125.9/115.8
R356	7030005090	S.RES ERJ2GEJ 104 X (100K)	T	116.4/28.4
R357	7030005090	S.RES ERJ2GEJ 104 X (100K)	T	110.4/24.9
R358	7030000100	S.RES MCR10EZHH 4.7 (4R7)	T	128.0/138.0
R359	7030005050	S.RES ERJ2GEJ 103 X (10K)	T	110.9/11.2
R363	7030008410	S.RES ERJ2GEJ 392 X (3.9K)	T	111.8/12.8
R365	7030004980	S.RES ERJ2GEJ 101 X (100)	T	114.1/26.8
R366	7030007300	S.RES ERJ2GEJ 332 X (3.3K)	T	114.5/12.0
R367	7030005030	S.RES ERJ2GEJ 152 X (1.5K)	T	115.7/12.4
R368	7030007340	S.RES ERJ2GEJ 153 X (15K)	T	127.5/114.2
R369	7030005090	S.RES ERJ2GEJ 104 X (100K)	T	128.0/118.1
R370	7030008010	S.RES ERJ2GEJ 123 X (12K)	T	89.1/22.4
R371	7030005080	S.RES ERJ2GEJ 823 X (82K)	T	92.1/23.2
R372	7030007340	S.RES ERJ2GEJ 153 X (15K)	T	113.6/12.8
R373	7030007350	S.RES ERJ2GEJ 393 X (39K)	T	112.7/12.8
R374	7030005120	S.RES ERJ2GEJ 102 X (1K)	T	123.8/116.4
R375	7030005090	S.RES ERJ2GEJ 104 X (100K)	T	125.3/111.9
R376	7030007340	S.RES ERJ2GEJ 153 X (15K)	T	126.9/125.2
R377	7030005090	S.RES ERJ2GEJ 104 X (100K)	T	128.0/128.4
R378	7030007350	S.RES ERJ2GEJ 393 X (39K)	T	106.3/19.9
R379	7030008300	S.RES ERJ2GEJ 184 X (180K)	T	127.1/120.5
R380	7030005090	S.RES ERJ2GEJ 104 X (100K)	T	111.9/111.1
R381	7030008300	S.RES ERJ2GEJ 184 X (180K)	T	126.9/109.9
R382	7030005090	S.RES ERJ2GEJ 104 X (100K)	T	113.1/107.6
R383	7030008300	S.RES ERJ2GEJ 184 X (180K)	T	126.9/130.7
R384	7030007280	S.RES ERJ2GEJ 331 X (330)	T	113.0/26.9
R385	7030005090	S.RES ERJ2GEJ 104 X (100K)	T	116.1/109.5
R387	7030005220	S.RES ERJ2GEJ 223 X (22K)	T	121.0/15.9
R388	7030007350	S.RES ERJ2GEJ 393 X (39K)	T	113.6/11.2
R389	7030005220	S.RES ERJ2GEJ 223 X (22K)	T	125.5/124.8
R390	7030010040	S.RES ERJ2GEJ-JPW	T	118.3/115.9
R391	7030010040	S.RES ERJ2GEJ-JPW	T	116.5/115.9
R393	7030005120	S.RES ERJ2GEJ 102 X (1K)	T	93.0/25.6
R394	7030005220	S.RES ERJ2GEJ 223 X (22K)	T	119.2/115.9
R396	7030005050	S.RES ERJ2GEJ 103 X (10K)	T	113.1/111.6
R397	7030005240	S.RES ERJ2GEJ 473 X (47K)	T	120.8/18.5
R398	7030005100	S.RES ERJ2GEJ 154 X (150K)	T	120.8/17.6
R399	7030005050	S.RES ERJ2GEJ 103 X (10K)	T	114.0/111.6
R400	7030005090	S.RES ERJ2GEJ 104 X (100K)	T	93.0/27.4
R401	7030005220	S.RES ERJ2GEJ 223 X (22K)	T	120.1/115.9
R402	7030008290	S.RES ERJ2GEJ 183 X (18K)	T	110.2/36.2

Eqv.= This component is equivalent to the REF No. component listed above, and may be substituted on parts orders and repairs.

[MAIN UNIT]

REF NO.	PARTS NO.	DESCRIPTION	M.	H/V LOCATION
R403	7030005240	S.RES ERJ2GEJ 473 X (47K)	B	117.4/86.2
R404	7030007320	S.RES ERJ2GEJ 225 X (2.2M)	T	107.6/38.8
R405	7030005040	S.RES ERJ2GEJ 472 X (4.7K)	B	117.4/85.3
R407	7030005230	S.RES ERJ2GEJ 334 X (330K)	T	104.6/106.7
R408	7030005230	S.RES ERJ2GEJ 334 X (330K)	T	105.5/106.7
R409	7030005090	S.RES ERJ2GEJ 104 X (100K)	T	99.9/28.1
R410	7030005090	S.RES ERJ2GEJ 104 X (100K)	T	106.0/45.2
R411	7030005600	S.RES ERJ2GEJ 273 X (27K)	T	103.6/114.7
R412	7030005600	S.RES ERJ2GEJ 273 X (27K)	T	101.6/108.2
R413	7030007320	S.RES ERJ2GEJ 225 X (2.2M)	T	108.8/39.4
R414	7030005090	S.RES ERJ2GEJ 104 X (100K)	T	107.6/45.2
R416	7030005240	S.RES ERJ2GEJ 473 X (47K)	T	112.2/44.9
R417	7030010040	S.RES ERJ2GEJ-JPW	T	117.4/115.9
R418	7030010040	S.RES ERJ2GEJ-JPW	T	115.6/115.9
R423	7030005160	S.RES ERJ2GEJ 105 X (1M)	T	106.3/32.8
R424	7030005160	S.RES ERJ2GEJ 105 X (1M)	T	96.5/32.7
R429	7030007340	S.RES ERJ2GEJ 153 X (15K)	T	107.2/34.3
R430	7030007340	S.RES ERJ2GEJ 153 X (15K)	T	97.4/33.3
R431	7030005210	S.RES ERJ2GEJ 822 X (8.2K)	T	104.5/32.8
R432	7030005210	S.RES ERJ2GEJ 822 X (8.2K)	T	94.7/32.7
R433	7030005240	S.RES ERJ2GEJ 473 X (47K)	T	86.9/30.1
R435	7030005220	S.RES ERJ2GEJ 223 X (22K)	T	102.4/33.3
R436	7030005220	S.RES ERJ2GEJ 223 X (22K)	T	92.6/33.1
R442	7030005090	S.RES ERJ2GEJ 104 X (100K)	T	92.9/44.9
R444	7030005090	S.RES ERJ2GEJ 104 X (100K)	T	101.8/44.2
R445	7030005030	S.RES ERJ2GEJ 152 X (1.5K)	T	107.4/36.5
R446	7030005030	S.RES ERJ2GEJ 152 X (1.5K)	T	97.6/36.3
R447	7030007310	S.RES ERJ2GEJ 155 X (1.5M)	T	103.6/36.0
R448	7030007310	S.RES ERJ2GEJ 155 X (1.5M)	T	93.8/35.9
R449	7030007280	S.RES ERJ2GEJ 331 X (330)	T	107.4/35.5
R450	7030007280	S.RES ERJ2GEJ 331 X (330)	T	97.6/35.4
R451	7030005090	S.RES ERJ2GEJ 104 X (100K)	T	91.5/44.4
R453	7030005240	S.RES ERJ2GEJ 473 X (47K)	T	102.7/43.3
R454	7030005090	S.RES ERJ2GEJ 104 X (100K)	T	98.8/41.0
R455	7030005090	S.RES ERJ2GEJ 104 X (100K)	T	92.9/43.3
R457	7030007350	S.RES ERJ2GEJ 393 X (39K)	T	102.7/38.4
R458	7030007350	S.RES ERJ2GEJ 393 X (39K)	T	92.9/38.3
R461	7030007340	S.RES ERJ2GEJ 153 X (15K)	T	98.8/41.9
R462	7030005050	S.RES ERJ2GEJ 103 X (10K)	T	97.2/41.9
R463	7030005220	S.RES ERJ2GEJ 223 X (22K)	T	102.7/40.0
R464	7030005220	S.RES ERJ2GEJ 223 X (22K)	T	92.9/39.9
R465	7030008010	S.RES ERJ2GEJ 123 X (12K)	T	102.7/41.6
R466	7030008010	S.RES ERJ2GEJ 123 X (12K)	T	92.9/41.5
R467	7030005050	S.RES ERJ2GEJ 103 X (10K)	T	89.4/47.7
R468	7030005050	S.RES ERJ2GEJ 103 X (10K)	T	49.9/44.7
R469	7030005090	S.RES ERJ2GEJ 104 X (100K)	B	33.7/16.6
R470	7030005090	S.RES ERJ2GEJ 104 X (100K)	B	39.9/23.5
R471	7030007340	S.RES ERJ2GEJ 153 X (15K)	T	9.8/51.7
R472	7030007340	S.RES ERJ2GEJ 153 X (15K)	T	50.8/51.3
R473	7030005110	S.RES ERJ2GEJ 224 X (220K)	B	27.9/13.1
R474	7030005090	S.RES ERJ2GEJ 104 X (100K)	B	32.9/14.4
R475	7030005110	S.RES ERJ2GEJ 224 X (220K)	B	34.1/20.1
R476	7030005090	S.RES ERJ2GEJ 104 X (100K)	B	39.1/21.4
R479	7030007280	S.RES ERJ2GEJ 331 X (330)	B	32.9/13.5
R480	7030007280	S.RES ERJ2GEJ 331 X (330)	B	39.1/20.5
R481	7030008010	S.RES ERJ2GEJ 123 X (12K)	T	15.7/39.8
R482	7030008010	S.RES ERJ2GEJ 123 X (12K)	T	9.8/48.4
R483	7030008010	S.RES ERJ2GEJ 123 X (12K)	T	55.9/39.0
R484	7030008010	S.RES ERJ2GEJ 123 X (12K)	T	50.8/48.4
R485	7030005060	S.RES ERJ2GEJ 333 X (33K)	B	27.9/14.9
R486	7030005060	S.RES ERJ2GEJ 333 X (33K)	B	34.1/21.9
R487	7030005050	S.RES ERJ2GEJ 103 X (10K)	B	32.1/16.6
R488	7030005050	S.RES ERJ2GEJ 103 X (10K)	B	38.3/23.5
R489	7030008410	S.RES ERJ2GEJ 392 X (3.9K)	B	27.9/14.0
R490	7030008410	S.RES ERJ2GEJ 392 X (3.9K)	B	34.1/21.0
R491	7030005070	S.RES ERJ2GEJ 683 X (68K)	B	29.7/16.7
R492	7030005070	S.RES ERJ2GEJ 683 X (68K)	B	35.9/23.7
R493	7030008400	S.RES ERJ2GEJ 182 X (1.8K)	T	6.1/39.8
R494	7030008400	S.RES ERJ2GEJ 182 X (1.8K)	T	7.1/48.4
R495	7030008400	S.RES ERJ2GEJ 182 X (1.8K)	T	47.1/39.8
R496	7030008400	S.RES ERJ2GEJ 182 X (1.8K)	T	48.1/48.4
R497	7030005070	S.RES ERJ2GEJ 683 X (68K)	B	28.1/16.7
R498	7030005090	S.RES ERJ2GEJ 104 X (100K)	B	28.1/18.5

[MAIN UNIT]

REF NO.	PARTS NO.	DESCRIPTION	M.	H/V LOCATION
R533	7030005530	S.RES ERJ2GEJ 100 X (10)	B	8.4/64.7
R534	7030005530	S.RES ERJ2GEJ 100 X (10)	B	49.4/64.7
R539	7030005170	S.RES ERJ2GEJ 474 X (470K)	T	11.2/63.1
R540	7030005170	S.RES ERJ2GEJ 474 X (470K)	T	52.2/63.1
R541	7030007290	S.RES ERJ2GEJ 222 X (2.2K)	T	11.2/64.9
R542	7030010040	S.RES ERJ2GEJ-JPW	T	12.4/64.4
R543	7030007290	S.RES ERJ2GEJ 222 X (2.2K)	T	52.2/64.9
R544	7030010040	S.RES ERJ2GEJ-JPW	T	53.4/64.4
R545	7030004970	S.RES ERJ2GEJ 470 X (47)	T	5.3/60.8
R546	7030004970	S.RES ERJ2GEJ 470 X (47)	T	46.4/60.8
R548	7030005120	S.RES ERJ2GEJ 102 X (1K)	T	8.8/29.6
R549	7030005170	S.RES ERJ2GEJ 474 X (470K)	T	9.2/28.4
R551	7030005120	S.RES ERJ2GEJ 102 X (1K)	T	51.7/30.0
R552	7030005170	S.RES ERJ2GEJ 474 X (470K)	T	52.1/28.8
R553	7030005090	S.RES ERJ2GEJ 104 X (100K)	T	5.3/27.0
R554	7030005090	S.RES ERJ2GEJ 104 X (100K)	T	48.2/27.5
R557	7030005120	S.RES ERJ2GEJ 102 X (1K)	T	5.3/28.6
R558	7030005120	S.RES ERJ2GEJ 102 X (1K)	T	48.2/29.1
R559	7030005000	S.RES ERJ2GEJ 471 X (470)	T	9.7/71.8
R561	7030005720	S.RES ERJ2GEJ 563 X (56K)	T	6.8/30.2
R562	7030005000	S.RES ERJ2GEJ 471 X (470)	T	50.7/71.8
R564	7030005720	S.RES ERJ2GEJ 563 X (56K)	T	49.7/30.7
R567	7030005530	S.RES ERJ2GEJ 100 X (10)	T	6.2/68.0
R568	7030005530	S.RES ERJ2GEJ 100 X (10)	T	47.2/68.0
R569	7030005090	S.RES ERJ2GEJ 104 X (100K)	T	7.1/25.6
R570	7030005090	S.RES ERJ2GEJ 104 X (100K)	T	50.0/26.1
R573	7030005100	S.RES ERJ2GEJ 154 X (150K)	T	8.1/71.8
R574	7030005100	S.RES ERJ2GEJ 154 X (150K)	T	49.1/71.8
R575	7030005050	S.RES ERJ2GEJ 103 X (10K)	T	6.5/71.8
R576	7030005050	S.RES ERJ2GEJ 103 X (10K)	T	47.5/71.8
R577	7030008280	S.RES ERJ2GEJ 271 X (270)	T	8.2/75.5
R578	7030009280	S.RES ERJ2GEJ 391 X	T	49.2/75.5
R579	7030008280	S.RES ERJ2GEJ 271 X (270)	T	9.8/86.2
R580	7030007280	S.RES ERJ2GEJ 331 X (330)	T	51.5/86.2
R582	7030004970	S.RES ERJ2GEJ 470 X (47)	T	8.2/99.5
R583	7030005220	S.RES ERJ2GEJ 223 X (22K)	T	12.6/97.5
R585	7030004980	S.RES ERJ2GEJ 101 X (100)	T	13.3/98.5
R586	7030004980	S.RES ERJ2GEJ 101 X (100)	T	13.7/98.7
R588	7030010040	S.RES ERJ2GEJ-JPW	T	12.1/102.7
R589	7030010040	S.RES ERJ2GEJ-JPW	T	12.1/100.4
R592	7030004970	S.RES ERJ2GEJ 470 X (47)	T	47.8/99.5
R593	7030005220	S.RES ERJ2GEJ 223 X (22K)	T	52.2/97.5
R595	7030004980	S.RES ERJ2GEJ 101 X (100)	T	51.9/98.5
R596	7030004980	S.RES ERJ2GEJ 101 X (100)	T	53.4/98.7
R598	7030010040	S.RES ERJ2GEJ-JPW	T	51.7/102.7
R599	7030010040	S.RES ERJ2GEJ-JPW	T	51.7/100.4
R601	7030010040	S.RES ERJ2GEJ-JPW	T	19.2/101.6
R602	7030010040	S.RES ERJ2GEJ-JPW	T	58.9/101.6
R603	7030005090	S.RES ERJ2GEJ 104 X (100K)	T	69.7/23.4
R604	7030005040	S.RES ERJ2GEJ 472 X (4.7K)	T	60.2/21.5
R605	7030005240	S.RES ERJ2GEJ 473 X (47K)	T	128.6/108.9
R606	7030005240	S.RES ERJ2GEJ 473 X (47K)	T	126.9/108.9
R607	7030010040	S.RES ERJ2GEJ-JPW	T	67.1/117.4
R608	7030005050	S.RES ERJ2GEJ 103 X (10K)	T	103.6/115.6
R609	7030005050	S.RES ERJ2GEJ 103 X (10K)	T	100.4/108.6
R610	7030005240	S.RES ERJ2GEJ 473 X (47K)	T	128.5/124.3
R611	7030005240	S.RES ERJ2GEJ 473 X (47K)	T	123.8/115.5
R700	7030005160	S.RES ERJ2GEJ 105 X (1M)	B	60.6/30.2
R701	7030007060	S.RES ERJ2GEJ 684X (680K)	B	59.7/32.6
R702	7030007310	S.RES ERJ2GEJ 155 X (1.5M)	B	63.2/29.9
R703	7410001220	S.ARR EXB28V103JX	B	98.8/29.2
R704	7030005530	S.RES ERJ2GEJ 100 X (10)	B	59.4/40.2
R705	7030007060	S.RES ERJ2GEJ 684X (680K)	B	62.3/39.9
R706	7030005050	S.RES ERJ2GEJ 103 X (10K)	B	64.1/37.0
R707	7030005600	S.RES ERJ2GEJ 273 X (27K)	T	83.6/32.8
R708	7030005240	S.RES ERJ2GEJ 473 X (47K)	T	83.1/34.0
R709	7030005120	S.RES ERJ2GEJ 102 X (1K)	T	78.3/34.0
R710	7030005050	S.RES ERJ2GEJ 103 X (10K)	T	80.9/36.8
R711	7030004980	S.RES ERJ2GEJ 101 X (100)	B	68.0/42.0
R712	7030007250	S.RES ERJ2GEJ 220 X (22)	B	68.0/41.1
R713	7030010040	S.RES ERJ2GEJ-JPW	T	72.6/36.3
R714	7030010040	S.RES ERJ2GEJ-JPW	T	72.6/34.6
R715	7030007280	S.RES ERJ2GEJ 331 X (330)	T	73.9/35.1
R716	7030007320	S.RES ERJ2GEJ 225 X (22M)	T	71.5/39.5
R717	7030009280	S.RES ERJ2GEJ 391 X	T	75.5/35.1
R718	7030005050	S.RES ERJ2GEJ 103 X (10K)	T	77.1/33.6
R719	7030009270	S.RES ERJ2GEJ 821 X (820)	T	77.8/36.3
R722	7030008280	S.RES ERJ2GEJ 271 X (270)	T	76.9/36.3
R726	7030007300	S.RES ERJ2GEJ 332 X (3.3K)	B	65.8/41.5
R727	7030005240	S.RES ERJ2GEJ 473 X (47K)	T	80.6/55.0
R728	7030005240	S.RES ERJ2GEJ 473 X (47K)	T	73.4/52.8
R729	7030005120	S.RES ERJ2GEJ 102 X (1K)	T	79.0/55.0
R730	7030005040	S.RES ERJ2GEJ 472 X (4.7K)	T	79.5/52.6
R731	7030005120	S.RES ERJ2GEJ 102 X (1K)	T	71.8/52.8
R732	7030005040	S.RES ERJ2GEJ 472 X (4.7K)	T	71.8/50.4
R733	7030005820	S.RES RR0510P-103-D (10K)	T	77.1/55.0
R734	7030005820	S.RES RR0510P-103-D (10K)	T	68.8/45.6
R735	7030005820	S.RES RR0510P-103-D (10K)	T	77.1/57.8
R736	7030005120	S.RES ERJ2GEJ 102 X (1K)	B	62.6/45.1
R737	7030005120	S.RES ERJ2GEJ 102 X (1K)	B	62.6/46.7
R738	7030004970	S.RES ERJ2GEJ 470 X (47)	T	80.4/58.0
R739	7030008280	S.RES ERJ2GEJ 271 X (270)	T	80.8/57.1
R740	7030005820	S.RES RR0510P-103-D (10K)	T	68.8/47.4
R741	7030005240	S.RES ERJ2GEJ 473 X (47K)	B	63.5/45.1
R742	7030004970	S.RES ERJ2GEJ 470 X (47)	T	67.4/48.6
R743	7030009270	S.RES ERJ2GEJ 821 X (820)	T	70.7/51.0
R744	7030005240	S.RES ERJ2GEJ 473 X (47K)	B	63.5/46.7
R745	7030005220	S.RES ERJ2GEJ 223 X (22K)	T	73.4/56.3
R746	7030009290	S.RES ERJ2GEJ 562 X (5.6K)	T	74.7/58.2
R747	7030005000	S.RES ERJ2GEJ 471 X (470)	T	61.5/56.5
R748	7030005590	S.RES ERJ2GEJ 680 X (68)	T	71.0/56.3
R749	7030005050	S.RES ERJ2GEJ 103 X (10K)	T	65.6/49.6
R750	7030008400	S.RES ERJ2GEJ 182 X (1.8K)	T	66.9/52.1
R751	7030005240	S.RES ERJ2GEJ 473 X (47K)	T	61.0/58.0
R752	7030005050	S.RES ERJ2GEJ 103 X (10K)	T	59.6/59.2

Eqv.= This component is equivalent to the REF No. component listed above, and may be substituted on parts orders and repairs.

[MAIN UNIT]

REF NO.	PARTS NO.	DESCRIPTION	M.	H/V LOCATION
R753	7030005120	S.RES ERJ2GEJ 102 X (1K)	T	62.6/50.0
R754	7030005040	S.RES ERJ2GEJ 472 X (4.7K)	T	62.2/54.5
R755	7030005040	S.RES ERJ2GEJ 472 X (4.7K)	T	69.8/57.4
R756	7030009160	S.RES ERJ2GEJ 181 X (180)	T	64.2/58.3
R757	7030005040	S.RES ERJ2GEJ 472 X (4.7K)	T	65.1/56.1
R762	7030010040	S.RES ERJ2GEJ-JPW	T	67.7/82.3
R763	7030005050	S.RES ERJ2GEJ 103 X (10K)	B	73.7/41.3
R764	7030010130	S.RES ERJ2GEJ 6R8 X (6.8)	T	64.7/80.5
R765	7030005220	S.RES ERJ2GEJ 223 X (22K)	B	72.4/39.9
R767	7030010040	S.RES ERJ2GEJ-JPW	T	67.7/83.9
R769	7030009160	S.RES ERJ2GEJ 181 X (180)	T	65.8/81.4
R770	7030010130	S.RES ERJ2GEJ 6R8 X (6.8)	T	63.5/81.0
R771	7030009150	S.RES ERJ2GEJ 824 X (820K)	B	19.0/30.8
R773	7030005040	S.RES ERJ2GEJ 472 X (4.7K)	T	68.2/78.6
R775	7030007300	S.RES ERJ2GEJ 332 X (3.3K)	T	64.9/86.5
R777	7030007300	S.RES ERJ2GEJ 332 X (3.3K)	T	63.9/84.3
R778	7030005120	S.RES ERJ2GEJ 102 X (1K)	T	64.8/90.3
R780	7030005050	S.RES ERJ2GEJ 103 X (10K)	B	60.1/31.4
R781	7030005040	S.RES ERJ2GEJ 472 X (4.7K)	T	61.5/85.0
R782	7030005160	S.RES ERJ2GEJ 105 X (1M)	B	20.2/30.3
R783	7030005160	S.RES ERJ2GEJ 105 X (1M)	B	22.7/30.0
R784	7030005050	S.RES ERJ2GEJ 103 X (10K)	B	32.2/40.7
R785	7030005530	S.RES ERJ2GEJ 100 X (10)	B	18.4/39.9
R786	7030007060	S.RES ERJ2GEJ 684X (680K)	B	21.6/39.9
R787	7030005050	S.RES ERJ2GEJ 103 X (10K)	B	23.4/37.0
R788	7030005220	S.RES ERJ2GEJ 223 X (22K)	B	31.7/38.3
R789	7030005600	S.RES ERJ2GEJ 273 X (27K)	T	36.4/30.3
R790	7030005240	S.RES ERJ2GEJ 473 X (47K)	T	36.4/31.9
R791	7030005120	S.RES ERJ2GEJ 102 X (1K)	T	36.2/39.9
R792	7030005050	S.RES ERJ2GEJ 103 X (10K)	T	38.6/35.1
R793	7030004980	S.RES ERJ2GEJ 101 X (100)	B	27.3/40.4
R794	7030007250	S.RES ERJ2GEJ 220 X (22)	B	27.3/39.5
R795	7030010040	S.RES ERJ2GEJ-JPW	T	31.6/35.1
R796	7030010040	S.RES ERJ2GEJ-JPW	T	32.1/33.9
R797	7030007280	S.RES ERJ2GEJ 331 X (330)	T	33.3/35.1
R798	7030007220	S.RES ERJ2GEJ 225 X (2.2M)	T	30.8/37.9
R799	7030009280	S.RES ERJ2GEJ 391 X	T	34.9/35.1
R800	7030005050	S.RES ERJ2GEJ 103 X (10K)	T	46.1/36.1
R801	7030005050	S.RES ERJ2GEJ 103 X (10K)	T	34.7/30.9
R802	7030009270	S.RES ERJ2GEJ 821 X (820)	T	37.1/36.3
R805	7030008280	S.RES ERJ2GEJ 271 X (270)	T	36.2/36.3
R806	7030007300	S.RES ERJ2GEJ 332 X (3.3K)	T	41.8/39.3
R810	7030007300	S.RES ERJ2GEJ 332 X (3.3K)	B	26.1/42.0
R811	7030007320	S.RES ERJ2GEJ 225 X (2.2M)	T	36.6/46.5
R812	7030007320	S.RES ERJ2GEJ 225 X (2.2M)	T	67.2/47.4
R813	7030005090	S.RES ERJ2GEJ 104 X (100K)	T	37.8/46.9
R814	7030005090	S.RES ERJ2GEJ 104 X (100K)	T	68.8/46.5
R815	7030005240	S.RES ERJ2GEJ 473 X (47K)	T	41.0/55.0
R816	7030005240	S.RES ERJ2GEJ 473 X (47K)	T	33.7/52.8
R817	7030005120	S.RES ERJ2GEJ 102 X (1K)	T	39.4/55.0
R818	7030005120	S.RES ERJ2GEJ 102 X (1K)	T	32.1/52.8
R819	7030005040	S.RES ERJ2GEJ 472 X (4.7K)	T	39.8/52.6
R820	7030005050	S.RES ERJ2GEJ 472 X (4.7K)	T	32.2/50.4
R821	7030005120	S.RES ERJ2GEJ 102 X (1K)	B	23.8/45.1
R822	7030005120	S.RES ERJ2GEJ 102 X (1K)	B	23.8/46.7
R823	7030005240	S.RES ERJ2GEJ 473 X (47K)	B	24.7/45.1
R824	7030005820	S.RES RR0510P-103-D (10K)	T	37.4/55.0
R825	7030005240	S.RES ERJ2GEJ 473 X (47K)	B	24.7/46.7
R826	7030005820	S.RES RR0510P-103-D (10K)	T	30.0/45.6
R827	7030005820	S.RES RR0510P-103-D (10K)	T	37.4/57.8
R828	7030005820	S.RES RR0510P-103-D (10K)	T	29.5/46.9
R829	7030004970	S.RES ERJ2GEJ 470 X (47)	T	40.7/58.0
R830	7030008280	S.RES ERJ2GEJ 271 X (270)	T	41.2/57.1
R831	7030004970	S.RES ERJ2GEJ 470 X (47)	T	29.1/45.6
R832	7030009270	S.RES ERJ2GEJ 821 X (820)	T	31.0/50.3
R833	7030005220	S.RES ERJ2GEJ 223 X (22K)	T	33.7/56.3
R834	7030009290	S.RES ERJ2GEJ 562 X (5.6K)	T	35.0/58.2
R835	7030005000	S.RES ERJ2GEJ 471 X (470)	T	21.4/52.0
R836	7030005050	S.RES ERJ2GEJ 103 X (10K)	T	25.9/49.2
R837	7030008400	S.RES ERJ2GEJ 182 X (1.8K)	T	27.3/51.3
R838	7030005590	S.RES ERJ2GEJ 680 X (68)	T	31.3/56.3
R839	7030005240	S.RES ERJ2GEJ 473 X (47K)	T	21.4/53.6
R840	7030005120	S.RES ERJ2GEJ 102 X (1K)	T	23.0/49.6
R841	7030005050	S.RES ERJ2GEJ 103 X (10K)	T	20.0/54.8
R842	7030005040	S.RES ERJ2GEJ 472 X (4.7K)	T	23.6/53.2
R843	7030005040	S.RES ERJ2GEJ 472 X (4.7K)	T	30.1/57.4
R844	7030009160	S.RES ERJ2GEJ		

[MAIN UNIT]

REF NO.	PARTS NO.	DESCRIPTION	M.	H/V LOCATION
R910	7030005120	S.RES ERJ2GEJ 102 X (1K)	T	88.6/19.0
R911	7030005120	S.RES ERJ2GEJ 102 X (1K)	T	88.6/20.6
R915	7410001220	S.ARR EXB28V103JX	T	89.7/50.7
R916	7030005050	S.RES ERJ2GEJ 103 X (100K)	T	88.9/56.1
R917	7030005120	S.RES ERJ2GEJ 102 X (1K)	T	82.3/19.0
R918	7030005240	S.RES ERJ2GEJ 473 X (47K)	T	90.2/19.0
R919	7030005240	S.RES ERJ2GEJ 473 X (47K)	T	90.2/20.6
R921	7030005240	S.RES ERJ2GEJ 473 X (47K)	T	97.3/74.5
R923	7410000720	S.ARR EXB-V8V 473JV (47K)	T	97.2/97.6
R924	7410001130	S.ARR EXB28V102JX	B	110.7/92.3
R931	7030005240	S.RES ERJ2GEJ 473 X (47K)	T	109.4/80.0
R932	7030005090	S.RES ERJ2GEJ 104 X (100K)	T	124.8/31.9
R934	7030005040	S.RES ERJ2GEJ 472 X (4.7K)	T	110.7/80.0
R943	7030005160	S.RES ERJ2GEJ 105 X (1M)	B	118.6/79.7
R951	7030005090	S.RES ERJ2GEJ 104 X (100K)	B	126.1/70.0
R952	7030004980	S.RES ERJ2GEJ 101 X (100)	B	113.0/71.9
R953	7030005240	S.RES ERJ2GEJ 473 X (47K)	B	117.0/80.5
R954	7030005220	S.RES ERJ2GEJ 223 X (22K)	B	122.8/70.3
R955	7030005220	S.RES ERJ2GEJ 223 X (22K)	B	123.7/70.3
R956	7030005090	S.RES ERJ2GEJ 104 X (100K)	B	125.2/70.0
R958	7030005050	S.RES ERJ2GEJ 103 X (10K)	T	101.0/78.0
R959	7030007300	S.RES ERJ2GEJ 332 X (3.3K)	T	97.2/76.5
R968	7030005040	S.RES ERJ2GEJ 472 X (4.7K)	T	100.0/74.5
R969	7030005240	S.RES ERJ2GEJ 473 X (47K)	T	99.1/74.5
R970	7030005240	S.RES ERJ2GEJ 473 X (47K)	T	98.2/74.5
R971	7030005160	S.RES ERJ2GEJ 105 X (1M)	B	112.1/44.2
R972	7030005050	S.RES ERJ2GEJ 103 X (10K)	B	110.9/46.0
R974	7410001140	S.ARR EXB28V104JX	B	92.7/84.7
R975	7030005220	S.RES ERJ2GEJ 223 X (22K)	B	119.2/40.4
R976	7030005090	S.RES ERJ2GEJ 104 X (100K)	B	118.3/44.5
R977	7410001140	S.ARR EXB28V104JX	B	92.7/81.2
R978	7410001130	S.ARR EXB28V102JX	B	125.6/78.3
R979	7410001130	S.ARR EXB28V102JX	B	111.1/41.2
R980	7410001130	S.ARR EXB28V102JX	B	105.2/37.2
R981	7410001130	S.ARR EXB28V102JX	B	102.7/37.2
R983	7410001140	S.ARR EXB28V104JX	B	98.7/88.4
R985	7410001130	S.ARR EXB28V102JX	B	100.2/37.2
R987	7410001140	S.ARR EXB28V104JX	B	98.1/74.4
R990	7030005120	S.RES ERJ2GEJ 102 X (1K)	B	94.9/41.9
R991	7030005090	S.RES ERJ2GEJ 104 X (100K)	T	122.8/33.5
R992	7030005090	S.RES ERJ2GEJ 104 X (100K)	T	121.3/28.2
R993	7410000720	S.ARR EXB-V8V 473JV (47K)	B	110.0/31.6
R994	7030005090	S.RES ERJ2GEJ 104 X (100K)	T	119.7/29.1
R996	7410000720	S.ARR EXB-V8V 473JV (47K)	B	120.9/31.6
R997	7030008010	S.RES ERJ2GEJ 123 X (12K)	T	121.2/33.5
R998	7030005090	S.RES ERJ2GEJ 104 X (100K)	B	18.9/25.2
R999	7030005090	S.RES ERJ2GEJ 104 X (100K)	T	10.9/19.3
R1000	7030005100	S.RES ERJ2GEJ 154 X (150K)	B	106.6/105.3
R1001	7030005160	S.RES ERJ2GEJ 105 X (1M)	B	105.2/105.2
R1002	7030012690	S.RES ERJM1WFS3M0U	T	87.5/116.5
R1003	7030005050	S.RES ERJ2GEJ 103 X (10K)	T	117.6/85.1
R1004	7030005160	S.RES ERJ2GEJ 105 X (1M)	B	128.9/102.6
R1005	7030010010	S.RES ERJ2RKF 334 X (330K)	B	84.2/116.1
R1006	7030010010	S.RES ERJ2RKF 334 X (330K)	B	85.8/117.0
R1007	7030005600	S.RES ERJ2GEJ 273 X (27K)	B	128.9/103.5
R1008	7030006610	S.RES ERJ2GEJ 394 X (390K)	B	129.3/104.7
R1009	7030005090	S.RES ERJ2GEJ 104 X (100K)	B	128.7/106.0
R1011	7030010040	S.RES ERJ2GEJ-JPW	B	105.8/101.0
R1012	7030005240	S.RES ERJ2GEJ 473 X (47K)	B	101.1/134.0
R1013	7030005090	S.RES ERJ2GEJ 104 X (100K)	T	123.3/101.8
R1014	7030005090	S.RES ERJ2GEJ 104 X (100K)	B	113.9/102.9
R1015	7030005000	S.RES ERJ2GEJ 471 X (470)	B	112.3/105.7
R1016	7030005090	S.RES ERJ2GEJ 104 X (100K)	T	125.6/104.1
R1017	7030005240	S.RES ERJ2GEJ 473 X (47K)	T	127.5/101.6
R1018	7030000400	S.RES MCR10EZ2HJ 1.5K (152)	B	99.5/136.1
R1019	7030000400	S.RES MCR10EZ2HJ 1.5K (152)	B	113.6/137.0
R1020	7030005820	S.RES RR0510P-103-D (10K)	T	124.3/105.5
R1021	7030011880	S.RES RR0510P-183-D (18K)	T	123.1/105.9
R1022	7030008010	S.RES ERJ2GEJ 123 X (12K)	T	123.1/103.8
R1023	7510001770	S.THE NTCG10 4LH 473JT	T	92.8/92.0
R1024	7030007350	S.RES ERJ2GEJ 393 X (39K)	T	94.0/90.6
R1025	7030005090	S.RES ERJ2GEJ 104 X (100K)	T	95.8/141.1
R1026	7030005090	S.RES ERJ2GEJ 104 X (100K)	T	95.8/140.2
R1028	7030010040	S.RES ERJ2GEJ-JPW	T	97.0/138.4
R1029	7030004980	S.RES ERJ2GEJ 101 X (100)	T	95.8/138.4
R1030	7030004980	S.RES ERJ2GEJ 101 X (100)	T	104.4/142.4
R1031	7030005240	S.RES ERJ2GEJ 473 X (47K)	B	111.6/134.9
R1032	7030000020	S.RES MCR10EZ2HJ 1 (010)	B	103.2/127.2
R1033	7030005090	S.RES ERJ2GEJ 104 X (100K)	T	129.5/33.1
R1036	7030005090	S.RES ERJ2GEJ 104 X (100K)	T	11.0/22.3
R1039	7030005000	S.RES ERJ2GEJ 471 X (470)	T	106.5/101.8
R1040	7030005050	S.RES ERJ2GEJ 103 X (10K)	T	105.6/102.7
R1042	7410000720	S.ARR EXB-V8V 473JV (47K)	B	100.5/54.1
R1044	7410000720	S.ARR EXB-V8V 473JV (47K)	B	96.8/54.1
R1047	7410000720	S.ARR EXB-V8V 473JV (47K)	B	107.9/54.1
R1049	7410000720	S.ARR EXB-V8V 473JV (47K)	B	108.3/36.9
R1050	7030005090	S.RES ERJ2GEJ 104 X (100K)	B	111.7/39.0
R1052	7030005240	S.RES ERJ2GEJ 473 X (47K)	B	123.2/112.1
R1053	7410001140	S.ARR EXB28V104JX	B	102.7/34.5
R1054	7410001140	S.ARR EXB28V104JX	B	99.7/34.5
R1055	7030005090	S.RES ERJ2GEJ 104 X (100K)	T	66.6/23.9
R1063	7030005240	S.RES ERJ2GEJ 473 X (47K)	B	111.2/71.9
R1064	7030005240	S.RES ERJ2GEJ 473 X (47K)	T	99.4/89.6
R1070	7410000720	S.ARR EXB-V8V 473JV (47K)	B	94.3/44.3
R1071	7410000720	S.ARR EXB-V8V 473JV (47K)	B	104.2/54.1
R1077	7030005120	S.RES ERJ2GEJ 102 X (1K)	T	83.3/19.0
R1080	7410000720	S.ARR EXB-V8V 473JV (47K)	T	130.0/17.9
R1082	7410000720	S.ARR EXB-V8V 473JV (47K)	B	129.0/35.0
R1084	7030005160	S.RES ERJ2GEJ 105 X (1M)	T	105.4/133.6
R1085	7030007310	S.RES ERJ2GEJ 155 X (1.5M)	T	106.2/132.7
R1086	7030010040	S.RES ERJ2GEJ-JPW	T	124.3/30.3
R1087	7030010040	S.RES ERJ2GEJ-JPW	T	123.8/23.0
R1089	7030005110	S.RES ERJ2GEJ 224 X (220K)	T	126.3/30.3
R1090	7030005090	S.RES ERJ2GEJ 104 X (100K)	T	127.4/33.5
R1091	7030010040	S.RES ERJ2GEJ-JPW	T	84.3/19.0

Eqv.= This component is equivalent to the REF No. component listed above, and may be substituted on parts orders and repairs.

[MAIN UNIT]

REF NO.	PARTS NO.	DESCRIPTION	M.	H/V LOCATION
R1100	7410001140	S.ARR EXB28V104JX	T	112.7/31.4
R1101	7410001140	S.ARR EXB28V104JX	B	130.6/67.0
R1102	7030005090	S.RES ERJ2GEJ 104 X (100K)	T	127.6/87.2
R1103	7410001140	S.ARR EXB28V104JX	B	130.6/67.2
R1104	7030005090	S.RES ERJ2GEJ 104 X (100K)	T	129.6/81.8
R1105	7410001250	S.ARR EXB28V472JX	T	123.2/75.2
R1106	7410001140	S.ARR EXB28V104JX	B	130.6/55.0
R1111	7030005090	S.RES ERJ2GEJ 104 X (100K)	T	116.2/59.1
R1112	7030005090	S.RES ERJ2GEJ 104 X (100K)	T	116.2/60.9
R1113	7030005090	S.RES ERJ2GEJ 104 X (100K)	T	117.2/54.2
R1114	7030010040	S.RES ERJ2GEJ-JPW	B	123.7/56.8
R1115	7030010040	S.RES ERJ2GEJ-JPW	B	117.6/60.1
R1116	7030010040	S.RES ERJ2GEJ-JPW	T	116.2/58.2
R1117	7030005240	S.RES ERJ2GEJ 473 X (47K)	T	118.1/54.2
R1118	7030004980	S.RES ERJ2GEJ 101 X (100)	T	116.2/60.0
R1119	7030005090	S.RES ERJ2GEJ 104 X (100K)	T	124.6/66.5
R1120	7030005090	S.RES ERJ2GEJ 104 X (100K)	T	126.6/66.5
R1124	7030010040	S.RES ERJ2GEJ-JPW	T	119.9/66.5
R1128	7030005240	S.RES ERJ2GEJ 473 X (47K)	T	119.9/54.2
R1130	7030005090	S.RES ERJ2GEJ 104 X (100K)	T	119.0/54.2
R1137	7030005240	S.RES ERJ2GEJ 473 X (47K)	T	120.8/54.2
R1144	7030005240	S.RES ERJ2GEJ 473 X (47K)	T	122.6/54.2
R1145	7030004980	S.RES ERJ2GEJ 101 X (100)	T	123.5/54.2
R1146	7030005240	S.RES ERJ2GEJ 473 X (47K)	T	121.7/54.2
R1148	7030005050	S.RES ERJ2GEJ 103 X (10K)	B	121.5/59.9
R1151	7030005240	S.RES ERJ2GEJ 473 X (47K)	T	126.2/54.2
R1152	7030005240	S.RES ERJ2GEJ 473 X (47K)	T	124.4/54.2
R1153	7030004980	S.RES ERJ2GEJ 101 X (100)	T	125.3/54.2
R1154	7410000720	S.ARR EXB-V8V 473JV (47K)	B	126.6/66.7
R1159	7030004980	S.RES ERJ2GEJ 101 X (100)	T	115.0/60.4
R1162	7030005240	S.RES ERJ2GEJ 473 X (47K)	B	101.7/63.4
R1163	7030009160	S.RES ERJ2GEJ 181 X (180)	B	108.9/57.1
R1164	7030009160	S.RES ERJ2GEJ 181 X (180)	B	107.6/58.3
R1166	7030005090	S.RES ERJ2GEJ 104 X (100K)	T	110.9/50.2
R1167	7030005120	S.RES ERJ2GEJ 102 X (1K)	T	102.2/58.7
R1169	7030005120	S.RES ERJ2GEJ 102 X (1K)	T	102.4/58.7
R1170	7030005050	S.RES ERJ2GEJ 103 X (10K)	T	103.4/58.0
R1171	70300010040	S.RES ERJ2GEJ-JPW	T	114.2/50.0
R1172	7030005050	S.RES ERJ2GEJ 103 X (10K)	T	103.3/62.9
R1173	7030005040	S.RES ERJ2GEJ 472 X (4.7K)	T	102.2/57.1
R1174	7030005040	S.RES ERJ2GEJ 472 X (4.7K)	T	97.7/61.8
R1177	7030010040	S.RES ERJ2GEJ-JPW	T	113.0/60.1
R1178	7030005060	S.RES ERJ2GEJ 333 X (33K)	T	93.6/59.6
R1179	7030005060	S.RES ERJ2GEJ 333 X (33K)	T	103.9/70.9
R1180	7030004980	S.RES ERJ2GEJ 101 X (100)	T	115.0/58.8
R1181	7030005050	S.RES ERJ2GEJ 103 X (10K)	T	98.3/59.1
R1182	7030005050	S.RES ERJ2GEJ 103 X (10K)	T	102.8/66.6
R1183	7030008300	S.RES ERJ2GEJ 184 X (180K)	T	95.2/58.0
R1184	7030008300	S.RES ERJ2GEJ 184 X (180K)	T	101.3/69.2
R1185	7030007300	S.RES ERJ2GEJ 332 X (3.3K)	T	111.3/69.2
R1186	7030005000	S.RES ERJ2GEJ 471 X (470)	T	108.7/63.3
R1187	7030005050	S.RES ERJ2GEJ 103 X (10K)	T	95.2/52.1
R1188	7030005050	S.RES ERJ2GEJ 103 X (10K)	T	95.4/69.2
R1189	7030005240	S.RES ERJ2GEJ 473 X (47K)	T	112.6/64.5
R1190	7030005240	S.RES ERJ2GEJ 473 X (47K)	T	113.4/62.9
R1191	7030005050	S.RES ERJ2GEJ 103 X (10K)	T	96.1/61.8
R1192	7030005050	S.RES ERJ2GEJ 103 X (10K)	T	95.3/49.7
R1193	7030005050	S.RES ERJ2GEJ 103 X (10K)	T	93.0/69.2
R1194	7030005050	S.RES ERJ2GEJ 103 X (10K)	T	100.1/47.7
R1195	7030005050	S.RES ERJ2GEJ 103 X (10K)	T	92.1/63.1
R1196	7030010040	S.RES ERJ2GEJ-JPW	T	101.7/52.2
R1197	7030005050	S.RES ERJ2GEJ 103 X (10K)	T	102.9/52.2
R1198	7030010040	S.RES ERJ2GEJ-JPW	T	96.1/62.7
R1199	7030004970	S.RES ERJ2GEJ 470 X (47)	T	109.3/60.1
R1200	7030005240	S.RES ERJ2GEJ 473 X (47K)	T	114.1/66.7
R1201	7030005050	S.RES ERJ2GEJ 103 X (10K)	T	97.1/49.7
R1202	7030005050	S.RES ERJ2GEJ 103 X (10K)	T	93.0/67.4
R1203	7030010040	S.RES ERJ2GEJ-JPW	T	93.9/53.3
R1204	7030010040	S.RES ERJ2GEJ-JPW	T	91.8/70.5
R1205	7030005050	S.RES ERJ2GEJ 103 X (10K)	T	101.6/49.1
R1206	7030005050	S.RES ERJ2GEJ 103 X (10K)	T	91.7/61.9
R1207	7030005230	S.RES ERJ2GEJ 334 X (330K)	T	100.1/50.1
R1208	7030005230	S.RES ERJ2GEJ 334 X (330K)	T	

[MAIN UNIT]

REF NO.	PARTS NO.	DESCRIPTION	M.	H/V LOCATION
C41	4030017530	S.CER C1005 CH 1H 0R5B-T	T	9.3/112.3
C42	4030017520	S.CER C1005 CH 1H 0R3B-T	T	57.7/116.6
C43	4030017530	S.CER C1005 CH 1H 0R5B-T	T	57.7/115.0
C44	4030017460	S.CER C1005 JB 1H 102K-T	T	14.2/112.9
C45	4030017460	S.CER C1005 JB 1H 102K-T	T	68.6/111.5
C46	4030017600	S.CER C1005 CH 1H 080C-T	T	15.9/111.3
C47	4030017600	S.CER C1005 CH 1H 080C-T	T	66.2/110.8
C48	4030017460	S.CER C1005 JB 1H 102K-T	T	6.7/119.6
C49	4030017640	S.CER C1005 CH 1H 150J-T	T	8.0/113.6
C51	4030017460	S.CER C1005 JB 1H 102K-T	T	49.9/113.3
C52	4030017640	S.CER C1005 CH 1H 150J-T	T	55.9/114.1
C54	4030017460	S.CER C1005 JB 1H 102K-T	T	6.7/116.9
C55	4030017460	S.CER C1005 JB 1H 102K-T	T	52.6/111.5
C57	4030017430	S.CER C1005 CH 1H 101J-T	T	21.0/110.1
C60	4030017430	S.CER C1005 CH 1H 101J-T	T	70.1/113.3
C62	4030017460	S.CER C1005 JB 1H 102K-T	T	8.3/118.8
C63	4030017600	S.CER C1005 CH 1H 080C-T	T	10.9/116.2
C64	4030017460	S.CER C1005 JB 1H 102K-T	T	50.5/115.4
C65	4030017600	S.CER C1005 CH 1H 080C-T	T	53.8/116.6
C66	4030017560	S.CER C1005 CH 1H 2R5B-T	T	8.9/120.0
C67	4030017560	S.CER C1005 CH 1H 2R5B-T	T	50.9/116.6
C68	4030017460	S.CER C1005 JB 1H 102K-T	T	66.0/102.5
C69	4030017530	S.CER C1005 CH 1H 0R5B-T	T	17.1/111.7
C70	4030017660	S.CER C1005 JB 1H 330J-T	T	21.0/111.7
C71	4030017530	S.CER C1005 CH 1H 0R5B-T	T	66.2/114.9
C72	4030017590	S.CER C1005 CH 1H 070C-T	T	10.5/117.5
C73	4030017590	S.CER C1005 CH 1H 070C-T	T	53.5/115.4
C74	4030017660	S.CER C1005 CH 1H 330J-T	T	70.1/114.9
C75	4030017460	S.CER C1005 JB 1H 102K-T	T	8.9/121.8
C76	4030017460	S.CER C1005 JB 1H 102K-T	T	51.9/118.4
C77	4030017430	S.CER C1005 CH 1H 101J-T	T	21.0/113.3
C79	4030017430	S.CER C1005 CH 1H 101J-T	T	70.1/116.5
C83	4030017460	S.CER C1005 JB 1H 102K-T	T	23.0/118.2
C84	4030017460	S.CER C1005 JB 1H 102K-T	T	18.2/115.6
C85	4030017460	S.CER C1005 JB 1H 102K-T	T	71.0/120.2
C86	4030017460	S.CER C1005 JB 1H 102K-T	T	66.2/117.1
C87	4030017460	S.CER C1005 JB 1H 102K-T	T	65.4/122.4
C88	4030017460	S.CER C1005 JB 1H 102K-T	T	23.0/117.3
C89	4030017460	S.CER C1005 JB 1H 102K-T	T	71.0/119.3
C90	4030017460	S.CER C1005 JB 1H 102K-T	T	7.5/122.6
C91	4030017460	S.CER C1005 JB 1H 102K-T	T	52.1/119.6
C92	4030016930	S.CER C1005 JB 1A 104K-T	T	64.7/94.9
C93	4030017460	S.CER C1005 JB 1H 102K-T	T	7.5/123.5
C94	4030017580	S.CER C1005 CH 1H 060C-T	T	11.2/124.7
C95	4030017460	S.CER C1005 JB 1H 102K-T	T	51.2/119.6
C96	4030017580	S.CER C1005 CH 1H 060C-T	T	54.2/121.3
C97	4030017570	S.CER C1005 CH 1H 040B-T	T	10.8/126.0
C98	4030017570	S.CER C1005 CH 1H 040B-T	T	53.8/122.5
C99	4030017460	S.CER C1005 JB 1H 102K-T	T	6.9/126.6
C100	4030017460	S.CER C1005 JB 1H 102K-T	T	49.9/122.5
C101	4030017460	S.CER C1005 JB 1H 102K-T	T	21.5/121.8
C102	4030017460	S.CER C1005 JB 1H 102K-T	T	69.6/123.8
C103	4030017600	S.CER C1005 CH 1H 080C-T	T	22.0/122.7
C104	4030017600	S.CER C1005 CH 1H 080C-T	T	69.6/125.0
C105	4030017460	S.CER C1005 JB 1H 102K-T	T	21.5/120.9
C106	4030017460	S.CER C1005 JB 1H 102K-T	T	69.6/122.9
C107	4030017590	S.CER C1005 CH 1H 070C-T	T	8.7/129.3
C109	4030017590	S.CER C1005 CH 1H 070C-T	T	51.8/125.4
C111	4030017530	S.CER C1005 CH 1H 0R5B-T	T	10.8/130.2
C112	4030017530	S.CER C1005 CH 1H 0R5B-T	T	8.7/131.0
C113	4030017520	S.CER C1005 CH 1H 0R3B-T	T	54.9/126.7
C114	4030017530	S.CER C1005 CH 1H 0R5B-T	T	53.0/126.7
C116	4030017430	S.CER C1005 CH 1H 101J-T	T	27.5/124.4
C119	4030017430	S.CER C1005 CH 1H 101J-T	T	72.3/128.0
C121	4030017380	S.CER C1005 CH 1H 050B-T	T	8.7/132.8
C123	4030017380	S.CER C1005 CH 1H 050B-T	T	51.8/128.1
C124	4030017460	S.CER C1005 JB 1H 102K-T	T	50.6/127.6
C125	4030017540	S.CER C1005 CH 1H R75B-T	T	23.6/126.0
C126	4030017660	S.CER C1005 CH 1H 330J-T	T	27.5/126.0
C127	4030017540	S.CER C1005 CH 1H R75B-T	T	68.4/129.6
C128	4030017660	S.CER C1005 CH 1H 330J-T	T	72.3/129.6
C129	4030017460	S.CER C1005 JB 1H 102K-T	T	7.1/135.3
C130	4030017460	S.CER C1005 JB 1H 102K-T	T	51.2/131.9
C132	4030017430	S.CER C1005 CH 1H 101J-T	T	27.5/127.6
C135	4030017430	S.CER C1005 CH 1H 101J-T	T	72.3/131.2
C137	4030017370	S.CER C1005 CH 1H 3R5B-T	T	10.8/134.6
C138	4030017370	S.CER C1005 CH 1H 3R5B-T	T	54.9/131.2
C139	4030017550	S.CER C1005 CH 1H 1R5B-T	T	12.0/135.0
C140	4030017550	S.CER C1005 CH 1H 1R5B-T	T	56.1/131.6
C141	4030017600	S.CER C1005 CH 1H 080C-T	T	23.6/130.6
C142	4030017600	S.CER C1005 CH 1H 080C-T	T	67.7/134.1
C143	4030017460	S.CER C1005 JB 1H 102K-T	T	14.6/138.6
C144	4030017460	S.CER C1005 JB 1H 102K-T	T	55.9/136.6
C145	4030017460	S.CER C1005 JB 1H 102K-T	T	24.6/135.2
C146	4030017460	S.CER C1005 JB 1H 102K-T	T	69.9/138.5
C147	4030017460	S.CER C1005 JB 1H 102K-T	T	12.9/135.0
C148	4030017460	S.CER C1005 JB 1H 102K-T	T	55.7/132.8
C149	4030016930	S.CER C1005 JB 1A 104K-T	T	73.2/97.0
C150	4030016930	S.CER C1005 JB 1A 104K-T	T	73.2/100.3
C151	4030017460	S.CER C1005 JB 1H 102K-T	B	11.1/135.0
C152	4030017460	S.CER C1005 JB 1H 102K-T	T	24.8/131.0
C153	4030017460	S.CER C1005 JB 1H 102K-T	T	65.1/135.5
C154	4030017460	S.CER C1005 JB 1H 102K-T	T	27.0/135.2
C155	4030017460	S.CER C1005 JB 1H 102K-T	T	71.1/136.4
C156	4030017460	S.CER C1005 JB 1H 102K-T	T	55.9/137.5
C157	4030017460	S.CER C1005 JB 1H 102K-T	T	76.7/97.7
C158	4030017460	S.CER C1005 JB 1H 102K-T	T	74.2/102.1
C163	4030017350	S.CER C1005 CH 1H 020B-T	T	16.5/135.5
C164	4030017460	S.CER C1005 JB 1H 102K-T	T	21.5/135.9
C167	4030017460	S.CER C1005 JB 1H 102K-T	T	60.3/141.2
C168	4030017460	S.CER C1005 JB 1H 102K-T	T	17.4/139.2
C170	4030017590	S.CER C1005 CH 1H 070C-T	T	61.1/136.4
C171	4030017460	S.CER C1005 JB 1H 102K-T	T	65.1/138.3
C172	4030017460	S.CER C1005 JB 1H 102K-T	T	20.4/139.0
C173	4030017460	S.CER C1005 JB 1H 102K-T	T	20.4/139.9

Eqv.= This component is equivalent to the REF No. component listed above, and may be substituted on parts orders and repairs.

[MAIN UNIT]

REF NO.	PARTS NO.	DESCRIPTION	M.	H/V LOCATION
C180	4030017460	S.CER C1005 JB 1H 102K-T	T	63.3/141.0
C181	4030017460	S.CER C1005 JB 1H 102K-T	T	63.3/141.9
C182	4030017460	S.CER C1005 JB 1H 102K-T	T	21.6/140.7
C188	4030017440	S.CER C1005 CH 1H 221J-T	T	63.3/143.1
C189	4030017600	S.CER C1005 CH 1H 080C-T	T	26.0/140.2
C197	4030007040	S.CER C1608 CH 1H 180J-T	T	69.4/142.7
C208	4030017460	S.CER C1005 JB 1H 102K-T	T	79.4/68.7
C209	4030017460	S.CER C1005 JB 1H 102K-T	T	77.5/67.7
C210	4030017460	S.CER C1005 JB 1H 102K-T	T	86.7/131.6
C211	4030017460	S.CER C1005 JB 1H 102K-T	T	74.4/66.6
C212	4030017460	S.CER C1005 JB 1H 102K-T	T	29.2/105.5
C213	4030017460	S.CER C1005 JB 1H 102K-T	B	67.5/68.4
C214	4030017460	S.CER C1005 JB 1H 102K-T	T	30.2/65.0
C215	4030017390	S.CER C1005 CH 1H 180J-T	B	70.8/69.3
C216	4030017460	S.CER C1005 JB 1H 102K-T	T	90.0/125.0
C217	4030017460	S.CER C1005 JB 1H 102K-T	T	41.9/115.1
C218	4510009950	S.ELE EEEHC1C470P	T	98.8/12.2
C219	4030017460	S.CER C1005 JB 1H 102K-T	T	90.8/148.1
C220	4030017660	S.CER C1005 CH 1H 330J-T	B	70.8/68.4
C221	4030017460	S.CER C1005 JB 1H 102K-T	T	26.6/64.1
C222	4030017460	S.CER C1005 JB 1H 102K-T	T	91.2/150.9
C225	4030017390	S.CER C1005 CH 1H 180J-T	B	70.8/67.5
C226	4030017460	S.CER C1005 JB 1H 102K-T	T	70.8/66.6
C227	4030016930	S.CER C1005 JB 1A 104K-T	T	23.1/67.2
C228	4030017460	S.CER C1005 JB 1H 102K-T	B	25.1/68.5
C232	4030017640	S.CER C1005 CH 1H 150J-T	B	26.9/68.5
C233	4030017460	S.CER C1005 JB 1H 102K-T	B	72.9/66.6
C234	4030016930	S.CER C1005 JB 1A 104K-T	B	72.9/69.0
C235	4030017350	S.CER C1005 CH 1H 020B-T	B	75.5/67.8
C237	4030017460	S.CER C1005 JB 1H 102K-T	B	73.4/65.0
C238	4030017460	S.CER C1005 JB 1H 102K-T	B	73.8/69.0
C241	4030017460	S.CER C1005 JB 1H 102K-T	B	31.6/70.9
C243	4030017620	S.CER C1005 CH 1H 100C-T	B	29.9/68.1
C244	4030017650	S.CER C1005 CH 1H 270J-T	B	81.0/70.9
C245	4030017630	S.CER C1005 CH 1H 120J-T	B	81.9/70.9
C250	4030017460	S.CER C1005 JB 1H 102K-T	B	32.5/73.0
C251	4030017360	S.CER C1005 CH 1H 030B-T	B	33.4/70.6
C252	4030017460	S.CER C1005 JB 1H 102K-T	B	80.6/74.8
C257	4030017360	S.CER C1005 CH 1H 030B-T	B	35.2/70.6
C264	4030017340	S.CER C1005 CH 1H 010B-T	B	37.0/69.9
C265	4030017460	S.CER C1005 JB 1H 102K-T	B	78.5/74.4
C266	4030017460	S.CER C1005 JB 1H 102K-T	B	79.4/74.4
C267	4030017660	S.CER C1005 CH 1H 330J-T	B	84.9/77.2
C268	4030017620	S.CER C1005 CH 1H 100C-T	B	83.9/78.4
C273	4030017460	S.CER C1005 JB 1H 102K-T	B	36.4/75.2
C274	4030017390	S.CER C1005 CH 1H 180J-T	B	83.0/78.4
C280	4030017460	S.CER C1005 JB 1H 102K-T	B	34.0/73.5
C281	4030017590	S.CER C1005 CH 1H 070C-T	B	40.3/77.2
C282	4030017350	S.CER C1005 CH 1H 020B-T	B	39.3/78.4
C285	4050000280	S.FEE CTH30V22S15A-TM	B	83.1/108.2
C286	4030017350	S.CER C1005 CH 1H 020B-T	B	38.4/78.4
C288	4030017460	S.CER C1005 JB 1H 102K-T	T	83.8/111.6
C291	4030021210	S.CER GRM31A5C2J150JW01D	B	80.0/117.4
C293	4030017460	S.CER C1005 JB 1H 102K-T	T	42.9/104.0
C296	4030017460	S.CER C1005 JB 1H 102K-T	T	39.4/82.3
C297	4030020770	S.CER GRM31A5C2J330JW01D	B	80.8/124.3
C299	4030017460	S.CER C1005 JB 1H 102K-T	B	36.6/82.8
C301	4030011020	S.CER GRM31M4C2H1R0CY21L (GRM42-6)	B	81.7/127.9
C302	4030021200	S.CER GRM31A5C2J120JW01D	B	76.8/127.9
C304	4030017460	S.CER C1005 JB 1H 102K-T	T	78.6/129.7
C305	4050000280	S.FEE CTH30V22S15A-TM	T	40.4/107.7
C306	4030017460	S.CER C1005 JB 1H 102K-T	B	82.5/96.9
C310	4030011020	S.CER GRM31M4C2H1R0CY21L (GRM42-6)	B	34.6/115.4
C317	4030017460	S.CER C1005 JB 1H 102K-T	B	75.4/130.6
C319	4030011070	S.CER GRM31M2C2H5R0CY21L (GRM42-6)	B	38.6/115.8
C320	4030019620	S.CER GRM188B31C225KE14D	B	84.4/96.3
C322	4030011020	S.CER GRM31M4C2H1R0CY21L (GRM42-6)	B	40.2/112.4
C323	4030021200	S.CER GRM31A5C2J120JW01D	B	36.8/110.8
C324	4030017460			

[MAIN UNIT]

REF NO.	PARTS NO.	DESCRIPTION	M.	H/V LOCATION
C376	4030017460	S.CER C1005 JB 1H 102K-T	B	44.3/126.7
C377	4030017460	S.CER C1005 JB 1H 102K-T	T	90.5/87.2
C378	4030021210	S.CER GRM31A5C2J150JW01D	B	66.4/151.4
C379	4030017460	S.CER C1005 JB 1H 102K-T	B	26.9/130.4
C381	4030007070	S.CER C1608 CH 1H 330J-T	B	72.4/142.9
C382	4030017460	S.CER C1005 JB 1H 102K-T	B	78.3/88.4
C383	4030017460	S.CER C1005 JB 1H 102K-T	T	29.6/103.4
C384	4030016950	S.CER C1005 JB 1A 473K-T	B	84.9/84.8
C385	4030017460	S.CER C1005 JB 1H 102K-T	B	83.3/84.8
C386	4030020760	S.CER GRM31A5C2J270JW01D	B	58.5/146.3
C387	4030011070	S.CER GRM31M2C2H5R0CY21L (GRM42-6)	B	38.3/134.4
C389	4030016930	S.CER C1005 JB 1A 104K-T	B	86.8/86.2
C391	4030020500	S.CER GQM2195C2E9R0BB12D	B	40.8/139.1
C392	4030021720	S.CER GQM2195C2E101JB12D	B	32.9/142.9
C394	4030020750	S.CER GRM31A5C2J220JW01D	B	52.6/146.3
C395	4030011060	S.CER GRM31M2C2H4R0CY21L (GRM42-6)	B	40.8/144.2
C396	4030006960	S.CER C1608 CH 1H 050C-T	B	31.2/137.3
C397	4030017460	S.CER C1005 JB 1H 102K-T	T	75.9/131.6
C398	4030017460	S.CER C1005 JB 1H 102K-T	T	86.8/87.8
C399	4030016790	S.CER C1005 JB 1E 103K-T	B	86.8/91.8
C400	4030017460	S.CER C1005 JB 1H 102K-T	B	82.1/83.6
C401	4030017640	S.CER C1005 CH 1H 150J-T	T	71.7/144.7
C402	4030011110	S.CER GRM31M2C2H9R0DV01L (GRM42-6)	B	40.8/149.3
C407	4030017460	S.CER C1005 JB 1H 102K-T	B	78.6/85.9
C409	4030020480	S.CER GQM2195C2E6R2BB12D	B	24.0/148.3
C411	4030017460	S.CER C1005 JB 1H 102K-T	T	120.8/21.1
C413	4030017350	S.CER C1005 CH 1H 020B-T	T	31.1/142.2
C414	4030017460	S.CER C1005 JB 1H 102K-T	B	78.6/84.9
C416	4030017460	S.CER C1005 JB 1H 102K-T	T	29.4/143.5
C418	4030020480	S.CER GQM2195C2E6R2BB12D	B	20.1/143.6
C419	4030017460	S.CER C1005 JB 1H 102K-T	T	71.1/143.0
C421	4030017460	S.CER C1005 JB 1H 102K-T	T	59.5/135.5
C424	4030017460	S.CER C1005 JB 1H 102K-T	T	88.5/126.2
C425	4030017460	S.CER C1005 JB 1H 102K-T	T	86.7/126.2
C500	4030017460	S.CER C1005 JB 1H 102K-T	T	68.7/17.4
C501	4030017460	S.CER C1005 JB 1H 102K-T	T	66.6/24.8
C503	4030017460	S.CER C1005 JB 1H 102K-T	T	62.1/119.7
C504	4030016930	S.CER C1005 JB 1A 104K-T	T	63.6/22.5
C505	4030020000	S.CER C1005 JB 1A 105K-T	T	62.1/118.8
C506	4030017460	S.CER C1005 JB 1H 102K-T	T	54.7/19.2
C507	4030017460	S.CER C1005 JB 1H 102K-T	T	63.1/25.4
C508	4030017460	S.CER C1005 JB 1H 102K-T	T	57.8/21.5
C509	4030017460	S.CER C1005 JB 1H 102K-T	T	55.9/21.5
C510	4030019560	S.CER GRM21BB31C106KE15L	T	62.6/21.1
C511	4030017460	S.CER C1005 JB 1H 102K-T	T	56.8/21.1
C513	4030020000	S.CER C1005 JB 1A 105K-T	T	69.4/19.5
C514	4030017460	S.CER C1005 JB 1H 102K-T	T	66.6/25.7
C516	4030017460	S.CER C1005 JB 1H 102K-T	T	92.8/84.6
C517	4030017040	S.CER C1005 JB 1A 333K-T	T	109.1/28.5
C518	4030016930	S.CER C1005 JB 1A 104K-T	T	75.2/19.2
C520	4030017460	S.CER C1005 JB 1H 102K-T	T	103.6/29.8
C523	4030017920	S.CER C1005 JB 1A 683K-T	T	107.1/29.7
C524	4030017920	S.CER C1005 JB 1A 683K-T	T	105.4/23.2
C525	4030020000	S.CER C1005 JB 1A 105K-T	T	75.8/23.4
C526	4030017430	S.CER C1005 CH 1H 101J-T	T	108.2/22.9
C527	4030019560	S.CER GRM21BB31C106KE15L	T	106.1/27.1
C528	4030019620	S.CER GRM188B31C225KE14D	T	78.6/21.1
C529	4030016930	S.CER C1005 JB 1A 104K-T	T	107.2/12.5
C530	4030016790	S.CER C1005 JB 1E 103K-T	T	106.6/25.0
C531	4030018920	S.CER C1005 JB 1H 392K-T	T	105.5/21.8
C532	4030018140	S.CER C1005 JB 1H 391K-T	T	109.1/20.6
C533	4030017040	S.CER C1005 JB 1A 333K-T	T	106.3/20.8
C534	4030017460	S.CER C1005 JB 1H 102K-T	T	77.2/25.0
C535	4030018080	S.CER C1005 JB 1H 182K-T	T	105.5/18.1
C536	4030020000	S.CER C1005 JB 1A 105K-T	T	110.0/12.8
C537	4030018240	S.CER C1005 JB 1H 562K-T	T	108.7/24.1
C538	4030016930	S.CER C1005 JB 1A 104K-T	T	78.1/25.0
C540	4030020000	S.CER C1005 JB 1A 105K-T	T	109.1/19.0
C541	4030020000	S.CER C1005 JB 1A 105K-T	T	82.5/26.7
C542	4030016790	S.CER C1005 JB 1E 103K-T	T	105.5/19.0
C543	4030020000	S.CER C1005 JB 1A 105K-T	T	87.0/24.1
C544	4030016960	S.CER C1005 JB 1E 183K-T	T	86.5/25.3
C545	4030016950	S.CER C1005 JB 1A 473K-T	T	107.1/24.1
C546	4030020000	S.CER C1005 JB 1A 105K-T	T	109.0/17.4
C547	4030016960	S.CER C1005 JB 1E 183K-T	T	84.7/25.3
C550	4030016930	S.CER C1005 JB 1A 104K-T	T	129.9/139.9
C552	4030020000	S.CER C1005 JB 1A 105K-T	T	84.7/26.2
C553	4030016930	S.CER C1005 JB 1A 104K-T	B	118.1/21.0
C554	4510008140	S.ELE 10 CE 470 BS	B	123.1/120.1
C555	4510008130	S.ELE 16 CE 220 BS	T	120.9/121.0
C556	4030016930	S.CER C1005 JB 1A 104K-T	T	130.5/138.3
C557	4510008140	S.ELE 10 CE 470 BS	B	123.1/131.0
C558	4510008130	S.ELE 16 CE 220 BS	T	120.9/130.4
C559	4030020000	S.CER C1005 JB 1A 105K-T	T	110.9/12.8
C560	4030016930	S.CER C1005 JB 1A 104K-T	T	86.9/28.5
C561	4030017730	S.CER C1005 JB 1H 471K-T	T	128.0/116.4
C563	4030016790	S.CER C1005 JB 1E 103K-T	T	114.5/13.6
C564	4030016950	S.CER C1005 JB 1A 473K-T	T	127.5/115.2
C566	4030020000	S.CER C1005 JB 1A 105K-T	T	110.7/110.7
C567	4030016930	S.CER C1005 JB 1A 104K-T	T	88.6/23.6
C568	4030017730	S.CER C1005 JB 1H 471K-T	T	128.0/126.6
C569	4030020000	S.CER C1005 JB 1A 105K-T	T	117.2/13.6
C570	4030016930	S.CER C1005 JB 1A 104K-T	T	111.4/108.8
C571	4030016930	S.CER C1005 JB 1A 104K-T	T	115.0/25.6
C572	4030016950	S.CER C1005 JB 1A 473K-T	T	126.7/126.1
C573	4030020000	S.CER C1005 JB 1A 105K-T	T	118.1/13.6
C574	4030020000	S.CER C1005 JB 1A 105K-T	T	116.3/13.6
C575	4030017460	S.CER C1005 JB 1H 102K-T	T	115.0/24.7
C576	4030018900	S.CER C1005 JB 0J 474K-T	T	127.1/119.6
C577	4030018100	S.CER C1005 JB 1H 681K-T	T	113.2/14.0
C578	4030018920	S.CER C1005 JB 1H 392K-T	T	124.2/117.6
C579	4030018920	S.CER C1005 JB 1H 392K-T	T	125.1/126.1

Eqv.= This component is equivalent to the REF No. component listed above, and may be substituted on parts orders and repairs.

[MAIN UNIT]

REF NO.	PARTS NO.	DESCRIPTION	M.	H/V LOCATION
C580	4030020000	S.CER C1005 JB 1A 105K-T	T	120.0/14.9
C581	4030016930	S.CER C1005 JB 1A 104K-T	T	92.5/24.4
C582	4030018900	S.CER C1005 JB 0J 474K-T	T	125.3/111.0
C583	4030017460	S.CER C1005 JB 1H 102K-T	T	127.3/111.2
C584	4030016930	S.CER C1005 JB 1A 104K-T	T	120.0/15.8
C585	4030018900	S.CER C1005 JB 0J 474K-T	T	126.9/129.8
C586	4030016930	S.CER C1005 JB 1A 104K-T	T	120.0/19.9
C587	4030017770	S.CER C1005 JB 1H 332K-T	T	112.7/11.2
C588	4030020000	S.CER C1005 JB 1A 105K-T	T	122.2/116.4
C589	4030017460	S.CER C1005 JB 1H 102K-T	T	120.0/16.7
C590	4030020000	S.CER C1005 JB 1A 105K-T	T	126.9/124.3
C591	4030017430	S.CER C1005 CH 1H 101J-T	T	111.9/112.0
C593	4030016930	S.CER C1005 JB 1A 104K-T	T	115.2/109.0
C594	4030017420	S.CER C1005 CH 1H 470J-T	T	119.6/18.1
C596	4030020000	S.CER C1005 JB 1A 105K-T	T	114.8/10.8
C597	4030016780	S.CER C1005 JB 1E 153K-T	T	93.0/26.5
C598	4030020000	S.CER C1005 JB 1A 105K-T	T	114.6/113.9
C599	4030018140	S.CER C1005 JB 1H 391K-T	T	122.4/17.6
C600	4030020000	S.CER C1005 JB 1A 105K-T	T	121.5/111.8
C602	4030016930	S.CER C1005 JB 1A 104K-T	T	110.7/112.8
C603	4030020000	S.CER C1005 JB 1A 105K-T	T	113.0/113.9
C604	4030020000	S.CER C1005 JB 1A 105K-T	T	113.0/113.0
C605	4030016790	S.CER C1005 JB 1E 103K-T	B	117.4/87.1
C606	4030016930	S.CER C1005 JB 1A 104K-T	T	122.2/115.5
C607	4030019560	S.CER GRM21BB31C106KE15L	T	110.2/38.7
C609	4030016970	S.CER C1005 JB 1E 223K-T	T	98.7/28.5
C610	4030017770	S.CER C1005 JB 1H 332K-T	T	101.2/28.5
C613	4030017460	S.CER C1005 JB 1H 102K-T	T	98.7/113.4
C614	4030016930	S.CER C1005 JB 1A 104K-T	T	105.3/105.5
C615	4030017770	S.CER C1005 JB 1H 332K-T	T	102.4/28.1
C616	4030016790	S.CER C1005 JB 1E 103K-T	T	99.6/113.4
C618	4030017460	S.CER C1005 JB 1H 102K-T	T	100.2/114.7
C619	4030017460	S.CER C1005 JB 1H 102K-T	T	101.9/115.1
C620	4030017640	S.CER C1005 CH 1H 150J-T	T	113.5/29.9
C622	4030017460	S.CER C1005 JB 1H 102K-T	T	102.7/108.0
C623	4030017460	S.CER C1005 JB 1H 102K-T	T	103.6/108.0
C627	4030017460	S.CER C1005 JB 1H 102K-T	T	102.4/32.4
C628	4030017460	S.CER C1005 JB 1H 102K-T	T	92.6/32.2
C631	4030020000	S.CER C1005 JB 1A 105K-T	T	97.6/34.5
C632	4030020000	S.CER C1005 JB 1A 105K-T	T	107.4/37.4
C634	4030020000	S.CER C1005 JB 1A 105K-T	T	106.1/37.8
C635	4030020000	S.CER C1005 JB 1A 105K-T	T	97.2/37.5
C637	4030018920	S.CER C1005 JB 1H 392K-T	T	105.4/32.8
C638	4030018920	S.CER C1005 JB 1H 392K-T	T	95.6/32.7
C642	4030019560	S.CER GRM21BB31C106KE15L	T	91.0/46.5
C643	4030016780	S.CER C1005 JB 1E 153K-T	T	103.6/32.8
C644	4030016780	S.CER C1005 JB 1E 153K-T	T	93.8/32.7
C647	4030016780	S.CER C1005 JB 1E 153K-T	T	103.6/34.4
C648	4030016780	S.CER C1005 JB 1E 153K-T	T	93.8/34.3
C649	4030016930	S.CER C1005 JB 1A 104K-T	T	107.6/39.7
C650	4030019560	S.CER GRM21BB31C106KE15L	T	102.2/46.6
C651	4030019560	S.CER GRM21BB31C106KE15L	T	92.9/47.3
C658	4030017040	S.CER C1005 JB 1A 333K-T	T	103.2/37.2
C659	4030017040	S.CER C1005 JB 1A 333K-T	T	93.4/37.1
C660	4030017460	S.CER C1005 JB 1H 102K-T	T	102.7/36.0
C661	4030017460	S.CER C1005 JB 1H 102K-T	T	92.9/35.9
C664	4030016780	S.CER C1005 JB 1E 153K-T	T	101.5/39.6
C665	4030016780	S.CER C1005 JB 1E 153K-T	T	91.7/39.4
C667	4030017460	S.CER C1005 JB 1H 102K-T	T	99.9/46.6
C668	4030020000	S.CER C1005 JB 1A 105K-T	T	97.2/41.0
C672	4030020450	S.CER C1005 JB 0J 475M-T	T	101.8/42.5
C673	4030020450	S.CER C1005 JB 0J 475M-T	T	92.0/42.4
C674	4030016790	S.CER C1005 JB 1E 103K-T	T	101.5/40.5
C675	4030016790	S.CER C1005 JB 1E 103K-T	T	91.7/40.3
C679	4030017460	S.CER C1005 JB 1H 102K-T	T	12.4/45.2
C680	4030017460	S.CER C1005 JB 1H 102K-T	T	53.4/45.2
C683	4030017460	S.CER C1005 JB 1H 102K-T	T	9.8/46.1
C684	4030017460	S.CER C1005 JB 1H 102K-T	T	50.8/46.1
C686	4030017760	S.CER C1005 JB 1H 222K-T	B	34.1/17.8
C688	4030017760	S.CER C1005 JB 1H 222K-T	B	40.3/24.7
C691	4030016790	S.CER C10		

[MAIN UNIT]

REF NO.	PARTS NO.	DESCRIPTION	M.	H/V LOCATION
C728	4030016930	S.CER C1005 JB 1A 104K-T	T	13.3/56.3
C729	4030016930	S.CER C1005 JB 1A 104K-T	T	54.3/56.3
C730	4030017420	S.CER C1005 CH 1H 470J-T	T	11.9/53.3
C732	4030016930	S.CER C1005 JB 1A 104K-T	B	5.3/53.1
C733	4030017420	S.CER C1005 CH 1H 470J-T	T	52.9/53.3
C735	4030016930	S.CER C1005 JB 1A 104K-T	B	46.3/53.1
C740	4030017460	S.CER C1005 JB 1H 102K-T	B	24.9/24.2
C741	4030017460	S.CER C1005 JB 1H 102K-T	B	31.8/22.2
C742	4030016930	S.CER C1005 JB 1A 104K-T	B	8.3/60.2
C743	4030016930	S.CER C1005 JB 1A 104K-T	B	49.3/60.2
C744	4030016790	S.CER C1005 JB 1E 103K-T	B	27.1/21.0
C745	4030016790	S.CER C1005 JB 1E 103K-T	B	30.8/26.6
C746	4030017460	S.CER C1005 JB 1H 102K-T	B	5.3/64.5
C747	4030017460	S.CER C1005 JB 1H 102K-T	B	46.3/65.2
C748	4030017460	S.CER C1005 JB 1H 102K-T	T	14.1/63.3
C749	4030017460	S.CER C1005 JB 1H 102K-T	T	55.1/63.3
C750	4030019560	S.CER GRM21BB31C106KE15L	B	5.7/61.4
C751	4030019560	S.CER GRM21BB31C106KE15L	B	46.7/61.4
C752	4030016930	S.CER C1005 JB 1A 104K-T	B	7.1/60.9
C753	4030016930	S.CER C1005 JB 1A 104K-T	B	48.1/60.9
C754	4030017460	S.CER C1005 JB 1H 102K-T	T	12.4/62.6
C755	4030017460	S.CER C1005 JB 1H 102K-T	T	53.4/62.6
C756	4030017770	S.CER C1005 JB 1H 332K-T	T	14.1/60.8
C757	4030017770	S.CER C1005 JB 1H 332K-T	T	55.1/60.8
C758	4030016790	S.CER C1005 JB 1E 103K-T	B	8.3/61.2
C759	4030016790	S.CER C1005 JB 1E 103K-T	B	49.3/61.2
C760	4030017040	S.CER C1005 JB 1A 333K-T	T	9.1/63.5
C761	4030017040	S.CER C1005 JB 1A 333K-T	T	50.1/63.5
C762	4030017690	S.CER C1005 CH 1H 121J-T	T	11.2/64.0
C763	4030017690	S.CER C1005 CH 1H 121J-T	T	52.2/64.0
C764	4550007260	S.TAN F931C475MAABMA	B	10.1/62.4
C765	4550007260	S.TAN F931C475MAABMA	B	51.1/62.4
C766	4030019560	S.CER GRM21BB31C106KE15L	T	6.8/63.4
C767	4030019560	S.CER GRM21BB31C106KE15L	T	47.8/63.4
C768	4030017620	S.CER C1005 CH 1H 100C-T	T	11.2/62.2
C769	4030017620	S.CER C1005 CH 1H 100C-T	T	52.2/62.2
C770	4030017690	S.CER C1005 CH 1H 121J-T	T	10.0/63.5
C771	4030017690	S.CER C1005 CH 1H 121J-T	T	51.0/63.5
C772	4030016930	S.CER C1005 JB 1A 104K-T	T	5.3/59.2
C773	4030016930	S.CER C1005 JB 1A 104K-T	T	46.3/59.2
C774	4030017460	S.CER C1005 JB 1H 102K-T	T	5.9/33.7
C775	4030017460	S.CER C1005 JB 1H 102K-T	T	50.4/32.4
C776	4030017460	S.CER C1005 JB 1H 102K-T	B	7.4/69.1
C777	4030017460	S.CER C1005 JB 1H 102K-T	B	48.4/69.1
C778	4030017460	S.CER C1005 JB 1H 102K-T	T	7.4/65.8
C779	4030017460	S.CER C1005 JB 1H 102K-T	T	48.4/65.8
C780	4030017460	S.CER C1005 JB 1H 102K-T	T	11.3/71.8
C781	4030017460	S.CER C1005 JB 1H 102K-T	T	52.3/71.8
C782	4030016790	S.CER C1005 JB 1E 103K-T	T	7.1/68.0
C783	4030016790	S.CER C1005 JB 1E 103K-T	T	48.1/68.0
C784	4030017460	S.CER C1005 JB 1H 102K-T	T	10.4/69.0
C785	4030020000	S.CER C1005 JB 1A 105K-T	T	8.8/25.4
C786	4030016790	S.CER C1005 JB 1E 103K-T	T	6.8/29.3
C787	4030017460	S.CER C1005 JB 1H 102K-T	T	51.4/69.0
C788	4030020000	S.CER C1005 JB 1A 105K-T	T	51.7/27.5
C789	4030016790	S.CER C1005 JB 1E 103K-T	T	49.7/29.8
C790	4030017660	S.CER C1005 CH 1H 330J-T	T	10.0/70.6
C791	4030016790	S.CER C1005 JB 1E 103K-T	T	5.3/68.0
C792	4030017420	S.CER C1005 CH 1H 470J-T	T	51.0/70.6
C793	4030016790	S.CER C1005 JB 1E 103K-T	T	46.3/68.0
C794	4030016790	S.CER C1005 JB 1E 103K-T	T	8.8/27.0
C795	4030016790	S.CER C1005 JB 1E 103K-T	T	52.6/27.5
C796	4030016790	S.CER C1005 JB 1E 103K-T	T	7.2/73.1
C797	4030016790	S.CER C1005 JB 1E 103K-T	T	48.3/73.1
C798	4030017460	S.CER C1005 JB 1H 102K-T	T	8.5/73.9
C799	4030017460	S.CER C1005 JB 1H 102K-T	T	49.6/73.9
C802	4030017640	S.CER C1005 CH 1H 150J-T	T	5.3/82.6
C803	4030017630	S.CER C1005 CH 1H 120J-T	T	47.0/82.6
C806	4030016790	S.CER C1005 JB 1E 103K-T	T	12.1/92.3
C807	4030016790	S.CER C1005 JB 1E 103K-T	T	51.7/92.3
C808	4030016930	S.CER C1005 JB 1A 104K-T	T	9.1/92.3
C809	4030016790	S.CER C1005 JB 1E 103K-T	T	7.7/102.9
C810	4030016790	S.CER C1005 JB 1E 103K-T	T	8.2/98.6
C813	4030016930	S.CER C1005 JB 1A 104K-T	T	15.2/91.9
C814	4030016930	S.CER C1005 JB 1A 104K-T	T	19.2/92.9
C816	4030020000	S.CER C1005 JB 1A 105K-T	B	29.1/14.5
C818	4030017460	S.CER C1005 JB 1H 102K-T	T	17.4/108.4
C820	4030016930	S.CER C1005 JB 1A 104K-T	T	48.7/92.3
C821	4030016790	S.CER C1005 JB 1E 103K-T	T	47.4/102.9
C822	4030016790	S.CER C1005 JB 1E 103K-T	T	47.8/98.6
C825	4030016930	S.CER C1005 JB 1A 104K-T	T	54.8/91.9
C826	4030016930	S.CER C1005 JB 1A 104K-T	T	58.9/92.9
C828	4030020000	S.CER C1005 JB 1A 105K-T	B	35.3/21.4
C830	4030017460	S.CER C1005 JB 1H 102K-T	T	61.5/109.7
C832	4030016930	S.CER C1005 JB 1A 104K-T	T	102.8/24.6
C835	4030020000	S.CER C1005 JB 1A 105K-T	T	104.8/116.0
C836	4030020000	S.CER C1005 JB 1A 105K-T	T	100.4/107.7
C837	4030017340	S.CER C1005 CH 1H 010B-T	T	60.3/109.3
C902	4030017460	S.CER C1005 JB 1H 102K-T	B	59.4/29.7
C905	4030017360	S.CER C1005 CH 1H 030B-T	B	58.6/38.4
C906	4030017640	S.CER C1005 CH 1H 150J-T	B	59.7/36.0
C907	4030017460	S.CER C1005 JB 1H 102K-T	B	60.6/32.6
C908	4030017570	S.CER C1005 CH 1H 040B-T	B	60.1/37.2
C909	4030017460	S.CER C1005 JB 1H 102K-T	B	65.9/31.3
C910	4030016790	S.CER C1005 JB 1E 103K-T	B	62.3/37.0
C911	4030017680	S.CER C1005 CH 1H 820J-T	B	60.6/36.0
C912	4030016930	S.CER C1005 JB 1A 104K-T	B	64.8/29.9
C913	4030017620	S.CER C1005 CH 1H 100C-T	B	64.1/38.9
C914	4030017620	S.CER C1005 CH 1H 100C-T	B	64.1/38.0
C915	4030017460	S.CER C1005 JB 1H 102K-T	B	65.7/38.0
C916	4030016930	S.CER C1005 JB 1A 104K-T	B	92.7/27.7
C917	4030017460	S.CER C1005 JB 1H 102K-T	T	79.9/34.0
C918	4030017460	S.CER C1005 JB 1H 102K-T	T	81.5/34.0
C919	4030016930	S.CER C1005 JB 1A 104K-T	B	65.9/36.8
C920	4030016930	S.CER C1005 JB 1A 104K-T	B	65.8/40.6

Eqv.= This component is equivalent to the REF No. component listed above, and may be substituted on parts orders and repairs.

[MAIN UNIT]

REF NO.	PARTS NO.	DESCRIPTION	M.	H/V LOCATION
C921	4030017730	S.CER C1005 JB 1H 471K-T	B	69.6/41.1
C922	4030017460	S.CER C1005 JB 1H 102K-T	T	80.2/32.4
C923	4030011810	S.CER C1608 JB 1A 224K-T	B	69.3/42.8
C924	4550008150	S.TAN F921V224MAA	T	74.4/38.0
C925	4030017460	S.CER C1005 JB 1H 102K-T	T	75.0/31.6
C926	4030016930	S.CER C1005 JB 1A 104K-T	T	76.0/36.3
C927	4030017460	S.CER C1005 JB 1H 102K-T	T	76.0/37.9
C928	4550007390	S.TAN F931C225MAABMA	T	79.3/38.0
C930	4550007550	S.TAN F931V334MAABMA	T	80.9/44.1
C932	4030017460	S.CER C1005 JB 1H 102K-T	T	81.4/45.7
C933	4030017460	S.CER C1005 JB 1H 102K-T	T	80.0/52.5
C935	4030017460	S.CER C1005 JB 1H 102K-T	T	74.5/51.8
C936	4030019560	S.CER GRM21BB31C106KE15L	B	64.1/42.7
C937	4030017460	S.CER C1005 JB 1H 102K-T	T	71.8/53.7
C938	4030017460	S.CER C1005 JB 1H 102K-T	T	82.2/55.0
C939	4030017420	S.CER C1005 CH 1H 470J-T	B	67.8/43.7
C940	4030017460	S.CER C1005 JB 1H 102K-T	T	73.6/50.4
C941	4030017460	S.CER C1005 JB 1H 102K-T	T	78.6/52.6
C942	4030017460	S.CER C1005 JB 1H 102K-T	T	72.7/50.4
C943	4030017460	S.CER C1005 JB 1H 102K-T	T	80.4/58.9
C944	4030009350	S.CER C1608 CH 1H 3R5B-T	T	77.5/53.1
C945	4030017460	S.CER C1005 JB 1H 102K-T	B	59.5/44.9
C946	4030017460	S.CER C1005 JB 1H 102K-T	B	59.5/46.9
C947	4030007040	S.CER C1608 CH 1H 180J-T	T	70.7/46.3
C949	4030007010	S.CER C1608 CH 1H 100D-T	T	78.3/56.1
C950	4030007030	S.CER C1608 CH 1H 150J-T	T	80.9/56.1
C951	4030017460	S.CER C1005 JB 1H 102K-T	T	82.0/58.0
C952	4030007040	S.CER C1608 CH 1H 180J-T	T	70.7/48.9
C953	4030007040	S.CER C1608 CH 1H 180J-T	T	69.6/51.2
C954	4030017460	S.CER C1005 JB 1H 102K-T	T	66.4/46.5
C957	4030017340	S.CER C1005 CH 1H 010B-T	T	75.9/57.8
C958	4030017460	S.CER C1005 JB 1H 102K-T	T	73.3/59.2
C959	4030017460	S.CER C1005 JB 1H 102K-T	T	62.4/57.4
C960	4030017460	S.CER C1005 JB 1H 102K-T	T	67.3/49.8
C961	4030017530	S.CER C1005 CH 1H 0R5B-T	T	67.3/50.7
C963	4030017460	S.CER C1005 JB 1H 102K-T	T	58.5/55.2
C964	4030017460	S.CER C1005 JB 1H 102K-T	T	65.6/52.5
C965	4030017460	S.CER C1005 JB 1H 102K-T	T	62.2/51.2
C967	4030017360	S.CER C1005 CH 1H 030B-T	T	62.4/58.3
C968	4030017460	S.CER C1005 JB 1H 102K-T	T	69.8/55.8
C970	4030017620	S.CER C1005 CH 1H 100C-T	T	71.1/58.7
C971	4030016790	S.CER C1005 JB 1E 103K-T	T	58.1/58.0
C972	4030017400	S.CER C1005 CH 1H 220J-T	T	63.7/52.5
C973	4030017460	S.CER C1005 JB 1H 102K-T	T	62.2/53.3
C976	4030017460	S.CER C1005 JB 1H 102K-T	T	64.4/74.8
C979	4030017420	S.CER C1005 CH 1H 470J-T	B	71.3/42.3
C982	4030016930	S.CER C1005 JB 1A 104K-T	B	72.5/42.8
C983	4030017460	S.CER C1005 JB 1H 102K-T	T	43.8/31.2
C984	4030017460	S.CER C1005 JB 1H 102K-T	T	65.8/43.0
C985	4030017730	S.CER C1005 JB 1H 471K-T	B	70.8/83.5
C986	4030017630	S.CER C1005 CH 1H 120J-T	T	68.6/83.9
C987	4030017460	S.CER C1005 JB 1H 102K-T	T	65.6/75.2
C988	4030017570	S.CER C1005 CH 1H 040B-T	T	64.9/82.2
C991	4030017460	S.CER C1005 JB 1H 102K-T	T	67.7/77.7
C992	4030017400	S.CER C1005 CH 1H 220J-T	T	68.6/85.5
C995	4030017570	S.CER C1005 CH 1H 040B-T	T	63.9/83.4
C996	4030016930	S.CER C1005 JB 1A 104K-T	T	46.8/33.8
C997	4030017630	S.CER C1005 CH 1H 120J-T	T	66.5/86.5
C999	4030017460	S.CER C1005 JB 1H 102K-T	T	64.4/91.7
C1000	4030017460	S.CER C1005 JB 1H 102K-T	T	45.9/33.8
C1001	4030017460	S.CER C1005 JB 1H 102K-T	T	55.4/68.3
C1002	4030020000	S.CER C1005 JB 1A 105K-T	T	42.2/31.5
C1006	4030020000	S.CER C1005 JB 1A 105K-T	T	41.3/31.5
C1007	4030017460	S.CER C1005 JB 1H 102K-T	T	65.5/84.3
C1009	4030017460	S.CER C1005 JB 1H 102K-T	T	41.3/29.9
C1012	4030017460	S.CER C1005 JB 1H 102K-T	T	41.1/38.4
C1014	4030017460	S.CER C1005 JB 1H 102K-T	B	19.0/29.0
C1015	4030017460	S.CER C1005 JB 1H 102K-T	T	67.1/92.3
C1018	4030017630	S.CER C1005 CH 1H 120J-T	B	19.0/29.9
C1019	4030017360	S.CER C1005 CH 1H 030B-T	B	18.5/38.5
C1				

[MAIN UNIT]

REF NO.	PARTS NO.	DESCRIPTION	M.	H/V LOCATION
C1060	4030017520	S.CER C1005 CH 1H 0R3B-T	T	70.4/44.6
C1061	4030017460	S.CER C1005 JB 1H 102K-T	B	20.7/44.9
C1062	4030017460	S.CER C1005 JB 1H 102K-T	B	20.7/46.9
C1063	4030017460	S.CER C1005 JB 1H 102K-T	T	42.6/55.0
C1064	4030017460	S.CER C1005 JB 1H 102K-T	T	34.0/50.4
C1065	4030017460	S.CER C1005 JB 1H 102K-T	T	38.9/52.6
C1066	4030017460	S.CER C1005 JB 1H 102K-T	T	33.1/50.4
C1067	4030017460	S.CER C1005 JB 1H 102K-T	T	40.7/58.9
C1068	4030009350	S.CER C1608 CH 1H 3R5B-T	T	37.9/53.1
C1069	4030007040	S.CER C1608 CH 1H 180J-T	T	31.0/45.6
C1071	4030007010	S.CER C1608 CH 1H 100D-T	T	38.6/56.1
C1072	4030007030	S.CER C1608 CH 1H 150J-T	T	41.2/56.1
C1073	4030007040	S.CER C1608 CH 1H 180J-T	T	31.0/48.2
C1074	4030007040	S.CER C1608 CH 1H 180J-T	T	29.9/50.6
C1075	4030017460	S.CER C1005 JB 1H 102K-T	T	42.3/58.0
C1076	4030017460	S.CER C1005 JB 1H 102K-T	T	29.5/44.4
C1079	4030017340	S.CER C1005 CH 1H 010B-T	T	36.2/57.8
C1080	4030017460	S.CER C1005 JB 1H 102K-T	T	33.7/59.2
C1081	4030017460	S.CER C1005 JB 1H 102K-T	T	21.4/50.4
C1082	4030017460	S.CER C1005 JB 1H 102K-T	T	27.8/47.9
C1083	4030017530	S.CER C1005 CH 1H 0R5B-T	T	27.7/50.1
C1085	4030017460	S.CER C1005 JB 1H 102K-T	T	19.8/50.5
C1086	4030017460	S.CER C1005 JB 1H 102K-T	T	25.9/52.1
C1087	4030017460	S.CER C1005 JB 1H 102K-T	T	22.7/52.2
C1089	4030017360	S.CER C1005 CH 1H 030B-T	T	21.4/55.2
C1090	4030017460	S.CER C1005 JB 1H 102K-T	T	30.1/55.8
C1092	4030016790	S.CER C1005 JB 1E 103K-T	T	18.5/53.6
C1093	4030017400	S.CER C1005 CH 1H 220J-T	T	24.0/52.0
C1094	4030017570	S.CER C1005 CH 1H 040B-T	T	31.5/58.7
C1095	4030017460	S.CER C1005 JB 1H 102K-T	T	22.7/50.8
C1097	4030017460	S.CER C1005 JB 1H 102K-T	T	23.4/74.8
C1098	4030017460	S.CER C1005 JB 1H 102K-T	T	24.6/75.2
C1099	4030017460	S.CER C1005 JB 1H 102K-T	T	23.6/82.0
C1101	4030017460	S.CER C1005 JB 1H 102K-T	T	26.9/77.7
C1102	4030017570	S.CER C1005 CH 1H 040B-T	T	21.6/82.5
C1103	4030017630	S.CER C1005 CH 1H 120J-T	T	20.7/80.6
C1104	4030017570	S.CER C1005 CH 1H 040B-T	T	20.3/85.3
C1105	4030017400	S.CER C1005 CH 1H 220J-T	T	19.0/81.4
C1106	4030017630	S.CER C1005 CH 1H 120J-T	T	18.6/82.6
C1107	4030017460	S.CER C1005 JB 1H 102K-T	T	22.8/86.4
C1108	4030017460	S.CER C1005 JB 1H 102K-T	T	16.5/82.6
C1109	4030016930	S.CER C1005 JB 1A 104K-T	T	68.7/39.9
C1111	4030017500	S.CER C1005 CH 1H 560J-T	T	61.8/47.6
C1112	4030017500	S.CER C1005 CH 1H 560J-T	T	62.7/47.6
C1113	4030017460	S.CER C1005 JB 1H 102K-T	T	58.9/48.4
C1114	4030017460	S.CER C1005 JB 1H 102K-T	T	58.4/49.6
C1115	4030017530	S.CER C1005 CH 1H 0R5B-T	T	65.6/48.7
C1116	4030017460	S.CER C1005 JB 1H 102K-T	T	65.9/91.8
C1117	4030017460	S.CER C1005 JB 1H 102K-T	T	66.5/43.8
C1118	4030017610	S.CER C1005 CH 1H 090C-T	T	60.9/45.7
C1119	4030020000	S.CER C1005 JB 1A 105K-T	T	68.2/74.3
C1200	4030017420	S.CER C1005 CH 1H 470J-T	T	87.4/20.6
C1201	4030017440	S.CER C1005 CH 1H 221J-T	T	85.3/20.6
C1202	4030017780	S.CER C1005 JB 1H 472K-T	T	109.9/85.2
C1203	4030017780	S.CER C1005 JB 1H 472K-T	T	107.9/88.1
C1204	4030017780	S.CER C1005 JB 1H 472K-T	T	109.2/88.2
C1205	4030017760	S.CER C1005 JB 1H 222K-T	T	107.5/90.0
C1206	4030017440	S.CER C1005 CH 1H 221J-T	T	86.4/20.6
C1207	4030017780	S.CER C1005 JB 1H 472K-T	T	110.8/85.2
C1208	4030017780	S.CER C1005 JB 1H 472K-T	T	110.2/89.7
C1209	4030017760	S.CER C1005 JB 1H 222K-T	T	109.0/85.2
C1210	4030017780	S.CER C1005 JB 1H 472K-T	T	111.7/85.2
C1211	4030017780	S.CER C1005 JB 1H 472K-T	T	111.1/87.1
C1213	4030017780	S.CER C1005 JB 1H 472K-T	B	113.3/88.7
C1215	4030016930	S.CER C1005 JB 1A 104K-T	T	115.9/81.2
C1216	4030016930	S.CER C1005 JB 1A 104K-T	B	114.0/87.8
C1217	4030017780	S.CER C1005 JB 1H 472K-T	T	112.1/89.7
C1218	4030017780	S.CER C1005 JB 1H 472K-T	T	108.1/90.9
C1221	4030016790	S.CER C1005 JB 1E 103K-T	T	106.9/80.0
C1223	4030019560	S.CER GRM21BB31C106KE15L	T	104.5/78.1
C1224	4030016930	S.CER C1005 JB 1A 104K-T	B	114.2/72.3
C1225	4030016930	S.CER C1005 JB 1A 104K-T	T	110.7/81.6
C1226	4030016930	S.CER C1005 JB 1A 104K-T	T	113.5/81.7
C1227	4030017400	S.CER C1005 CH 1H 220J-T	B	123.3/86.0
C1228	4030017570	S.CER C1005 CH 1H 040B-T	B	123.3/73.3
C1229	4030017390	S.CER C1005 CH 1H 180J-T	B	123.3/72.4
C1230	4030016790	S.CER C1005 JB 1E 103K-T	B	127.4/72.6
C1231	4030017510	S.CER C1005 CH 1H 680J-T	B	123.3/71.5
C1232	4030016790	S.CER C1005 JB 1E 103K-T	B	127.4/71.4
C1233	4030017460	S.CER C1005 JB 1H 102K-T	B	127.3/69.6
C1234	4030016930	S.CER C1005 JB 1A 104K-T	T	102.9/76.3
C1235	4030016930	S.CER C1005 JB 1A 104K-T	B	122.8/68.7
C1236	4030017460	S.CER C1005 JB 1H 102K-T	B	127.3/70.5
C1237	4030017550	S.CER C1005 CH 1H 1R5B-T	T	99.0/79.4
C1238	4030017610	S.CER C1005 CH 1H 090C-T	T	97.5/79.8
C1239	4030019560	S.CER GRM21BB31C106KE15L	T	120.3/73.9
C1240	4030020000	S.CER C1005 JB 1A 105K-T	T	97.5/77.7
C1241	4030019560	S.CER GRM21BB31C106KE15L	T	117.8/86.5
C1242	4030019560	S.CER GRM21BB31C106KE15L	B	111.3/50.5
C1243	4030017630	S.CER C1005 CH 1H 120J-T	B	116.7/50.7
C1244	4030019560	S.CER GRM21BB31C106KE15L	B	93.7/88.7
C1245	4030016930	S.CER C1005 JB 1A 104K-T	B	110.9/46.9
C1246	4030017630	S.CER C1005 CH 1H 120J-T	B	116.7/37.8
C1247	4030017390	S.CER C1005 CH 1H 180J-T	B	118.3/40.4
C1248	4030016790	S.CER C1005 JB 1E 103K-T	B	119.2/44.5
C1249	4030016930	S.CER C1005 JB 1A 104K-T	B	119.2/38.8
C1250	4030017460	S.CER C1005 JB 1H 102K-T	B	118.7/45.7
C1252	4030016930	S.CER C1005 JB 1A 104K-T	B	93.0/83.0
C1253	4030016930	S.CER C1005 JB 1A 104K-T	B	96.5/88.1
C1256	4030020000	S.CER C1005 JB 1A 105K-T	T	124.4/33.5
C1257	4030020120	S.CER C1005 JB 0J 225M-T	T	121.3/29.1
C1261	4030020000	S.CER C1005 JB 1A 105K-T	B	116.8/32.7
C1262	4030017460	S.CER C1005 JB 1H 102K-T	T	118.8/30.6
C1263	4030016930	S.CER C1005 JB 1A 104K-T	T	117.9/30.6
C1264	4030020000	S.CER C1005 JB 1A 105K-T	B	116.8/31.1

Eqv.= This component is equivalent to the REF No. component listed above, and may be substituted on parts orders and repairs.

[MAIN UNIT]

REF NO.	PARTS NO.	DESCRIPTION	M.	H/V LOCATION
C1265	4030020000	S.CER C1005 JB 1A 105K-T	B	126.6/33.7
C1268	4030020000	S.CER C1005 JB 1A 105K-T	B	126.6/32.1
C1269	4030017460	S.CER C1005 JB 1H 102K-T	T	121.2/32.6
C1272	4030019620	S.CER GRM188B31C225KE14D	T	119.0/32.7
C1274	4050000280	S.FEE CTH30V222S15A-TM	B	96.6/124.8
C1275	4510010240	S.ELE 16 CE 680 LX	B	95.7/115.9
C1276	4030017460	S.CER C1005 JB 1H 102K-T	B	86.8/114.5
C1277	4030017460	S.CER C1005 JB 1H 102K-T	B	93.5/123.8
C1278	4030020310	S.CER GRM31CB31C106KA88L	B	120.2/109.2
C1279	4030017460	S.CER C1005 JB 1H 102K-T	B	86.8/112.9
C1280	4030020310	S.CER GRM31CB31C106KA88L	B	122.3/109.2
C1281	4030017460	S.CER C1005 JB 1H 102K-T	T	119.4/84.7
C1282	4030017460	S.CER C1005 JB 1H 102K-T	B	81.6/114.3
C1283	4030019120	S.CER GRM188B31E105KA75D	B	128.5/111.8
C1284	4030016790	S.CER C1005 JB 1E 103K-T	T	115.3/84.1
C1285	4030016930	S.CER C1005 JB 1A 104K-T	B	82.5/114.3
C1286	4030020000	S.CER C1005 JB 1A 105K-T	T	117.2/82.4
C1287	4030018970	S.CER C3225 JB 1C 226MT-FN	B	118.8/104.4
C1288	4030018970	S.CER C3225 JB 1C 226MT-FN	B	121.8/104.4
C1289	4030016950	S.CER C1005 JB 1A 473K-T	B	85.8/116.1
C1290	4030017640	S.CER C1005 CH 1H 150J-T	B	128.4/104.7
C1291	4030020000	S.CER C1005 JB 1A 105K-T	B	107.0/101.4
C1292	4030019560	S.CER GRM21BB31C106KE15L	B	118.3/101.4
C1293	4030020000	S.CER C1005 JB 1A 105K-T	B	109.5/97.6
C1294	4030019560	S.CER GRM21BB31C106KE15L	T	121.6/101.2
C1295	4030017460	S.CER C1005 JB 1H 102K-T	B	99.5/134.0
C1296	4030016930	S.CER C1005 JB 1A 104K-T	T	124.9/100.6
C1297	4030016790	S.CER C1005 JB 1E 103K-T	B	108.2/105.7
C1298	4030019560	S.CER GRM21BB31C106KE15L	B	108.5/104.0
C1299	4030019550	S.CER C1608 JB 1E 334K-T	B	96.4/127.7
C1300	4030020000	S.CER C1005 JB 1A 105K-T	T	107.4/95.9
C1301	4030016930	S.CER C1005 JB 1A 104K-T	T	123.1/105.0
C1302	4030020000	S.CER C1005 JB 1A 105K-T	T	104.5/93.1
C1303	4030016930	S.CER C1005 JB 1A 104K-T	B	94.5/128.9
C1304	4030020300	S.CER GRM21BB31C475KA87L	B	93.4/127.5
C1305	4030016930	S.CER C1005 JB 1A 104K-T	T	94.0/91.5
C1306	4030016930	S.CER C1005 JB 1A 104K-T	T	14.4/15.0
C1307	4030016930	S.CER C1005 JB 1A 104K-T	T	14.4/21.6
C1308	4030016930	S.CER C1005 JB 1A 104K-T	T	14.4/28.2
C1309	4030017460	S.CER C1005 JB 1H 102K-T	T	11.0/16.6
C1310	4030017460	S.CER C1005 JB 1H 102K-T	T	11.0/23.2
C1311	4030017460	S.CER C1005 JB 1H 102K-T	T	11.0/29.9
C1312	4030016930	S.CER C1005 JB 1A 104K-T	T	97.0/136.8
C1313	4030011810	S.CER C1608 JB 1A 224K-T	T	106.1/137.4
C1314	4030011810	S.CER C1608 JB 1A 224K-T	T	107.3/136.6
C1315	4030011810	S.CER C1608 JB 1A 224K-T	T	106.1/140.0
C1316	4030011810	S.CER C1608 JB 1A 224K-T	T	102.6/142.2
C1317	4030017620	S.CER C1005 CH 1H 100C-T	T	93.4/138.4
C1318	4030017620	S.CER C1005 CH 1H 100C-T	T	93.4/139.3
C1319	4030017620	S.CER C1005 CH 1H 100C-T	T	102.6/149.8
C1320	4030017620	S.CER C1005 CH 1H 100C-T	T	101.7/149.8
C1321	4030017460	S.CER C1005 JB 1H 102K-T	B	113.6/138.4
C1322	4030017460	S.CER C1005 JB 1H 102K-T	B	126.4/111.7
C1323	4030017460	S.CER C1005 JB 1H 102K-T	B	123.8/108.1
C1324	4030019550	S.CER C1608 JB 1E 334K-T	T	111.1/105.9
C1325	4030020300	S.CER GRM21BB31C475KA87L	T	110.7/97.3
C1326	4030017460	S.CER C1005 JB 1H 102K-T	T	123.6/31.5
C1328	4030017460	S.CER C1005 JB 1H 102K-T	T	128.3/33.5
C1329	4030017460	S.CER C1005 JB 1H 102K-T	T	130.2/31.9
C1330	4030017460	S.CER C1005 JB 1H 102K-T	T	130.7/33.5
C1331	4030016930	S.CER C1005 JB 1A 104K-T	T	106.2/131.8
C1332	4030017030	S.CER C1005 JB 1A 273K-T	T	103.9/131.0
C1333	4030019550	S.CER C1608 JB 1E 334K-T	B	109.3/127.5
C1334	4030020300	S.CER GRM21BB31C475KA87L	B	106.2/127.5
C1335	4030017460	S.CER C1005 JB 1H 102K-T	B	112.4/31.1
C1336	4030017460	S.CER		

[MAIN UNIT]

REF NO.	PARTS NO.	DESCRIPTION	M.	H/V LOCATION
C1437	4030017460	S.CER C1005 JB 1H 102K-T	T	113.6/52.9
C1438	4030016930	S.CER C1005 JB 1A 104K-T	B	104.1/58.8
C1439	4030020000	S.CER C1005 JB 1A 105K-T	T	108.1/50.7
C1440	4030020000	S.CER C1005 JB 1A 105K-T	T	120.7/51.1
C1442	4030020450	S.CER C1005 JB 0J 475M-T	T	103.8/59.2
C1443	4030016930	S.CER C1005 JB 1A 104K-T	T	109.7/50.7
C1444	4030020450	S.CER C1005 JB 0J 475M-T	T	103.8/64.1
C1445	4030017460	S.CER C1005 JB 1H 102K-T	T	115.5/51.4
C1446	4030016780	S.CER C1005 JB 1E 153K-T	T	94.8/59.3
C1447	4030016780	S.CER C1005 JB 1E 153K-T	T	102.7/70.4
C1448	4030017620	S.CER C1005 CH 1H 100C-T	T	113.4/61.3
C1449	4030016930	S.CER C1005 JB 1A 104K-T	T	110.9/60.1
C1450	4030017460	S.CER C1005 JB 1H 102K-T	T	94.3/56.0
C1451	4030016780	S.CER C1005 JB 1E 153K-T	T	94.0/58.4
C1452	4030016790	S.CER C1005 JB 1E 103K-T	T	94.0/57.5
C1453	4030017460	S.CER C1005 JB 1H 102K-T	T	99.4/70.1
C1454	4030016780	S.CER C1005 JB 1E 153K-T	T	101.8/70.4
C1455	4030016790	S.CER C1005 JB 1E 103K-T	T	100.9/70.4
C1456	4030020000	S.CER C1005 JB 1A 105K-T	T	95.2/56.0
C1457	4030020000	S.CER C1005 JB 1A 105K-T	T	99.4/69.2
C1458	4030017380	S.CER C1005 CH 1H 050B-T	T	111.3/59.2
C1459	4030016930	S.CER C1005 JB 1A 104K-T	T	107.8/64.2
C1460	4030017760	S.CER C1005 JB 1H 222K-T	T	98.7/48.9
C1461	4030017760	S.CER C1005 JB 1H 222K-T	T	91.7/64.4
C1462	4030016930	S.CER C1005 JB 1A 104K-T	T	113.8/65.0
C1463	4030018240	S.CER C1005 JB 1H 562K-T	T	94.8/50.9
C1464	4030018240	S.CER C1005 JB 1H 562K-T	T	94.2/69.6
C1467	4030017460	S.CER C1005 JB 1H 102K-T	T	111.4/65.0
C1468	4030017620	S.CER C1005 CH 1H 100C-T	T	112.6/65.4
C1469	4030016780	S.CER C1005 JB 1E 153K-T	T	96.2/49.7
C1470	4030016780	S.CER C1005 JB 1E 153K-T	T	93.0/68.3
C1471	4030016790	S.CER C1005 JB 1E 103K-T	T	107.6/60.9
C1472	4030020000	S.CER C1005 JB 1A 105K-T	T	94.3/52.1
C1473	4030020000	S.CER C1005 JB 1A 105K-T	T	93.0/70.1
C1474	4030017780	S.CER C1005 JB 1H 472K-T	T	100.6/48.9
C1475	4030017780	S.CER C1005 JB 1H 472K-T	T	90.8/63.6
C1476	4030017420	S.CER C1005 CH 1H 470J-T	T	107.6/61.8
C1477	4030017740	S.CER C1005 JB 1H 821K-T	T	98.3/50.1
C1478	4030017740	S.CER C1005 JB 1H 821K-T	T	93.5/66.2
C1479	4030016790	S.CER C1005 JB 1E 103K-T	T	92.7/54.5
C1480	4030016790	S.CER C1005 JB 1E 103K-T	T	93.0/71.0
C1481	4030016930	S.CER C1005 JB 1A 104K-T	T	109.5/67.2
C1482	4030016930	S.CER C1005 JB 1A 104K-T	T	107.4/66.8
C1483	4030016930	S.CER C1005 JB 1A 104K-T	T	114.2/69.5
C1484	4030020000	S.CER C1005 JB 1A 105K-T	T	102.5/49.1
C1485	4030020000	S.CER C1005 JB 1A 105K-T	T	92.6/61.9
C1486	4030017460	S.CER C1005 JB 1H 102K-T	T	107.3/69.0
J1	6510014961	S.CON B2B-ZR-SM4-TF(LF)(SN)	T	86.7/150.9
J100	6510023110	CON 3008L-8P8C <KIN>		
J101	6450001440	CON HSJ1403-01-010		
J102	6510025940	CON PJ-3047S <XIN>		
J103	6510014961	S.CON B2B-ZR-SM4-TF(LF)(SN)	B	116.0/125.9
J300	6510025950	CON PCB-606(6P6C) BLACK <VKH>		
J301	6510029570	CON 20P5.0-JMCS-G-B-TF(N)		
J304	6510027740	CON HSJ2462-010010		
J305	6510028980	S.CON SCDABA0500	B	116.1/15.2
J400	6510029010	S.CON 20FHSY-RSM1-GAN-TB(LF)(SN)	T	129.0/78.0
BT300	3020000390	S.LIT ML414HIV01E	T	94.1/78.4
W1	7030012290	JUM RDS2T0R0		
W300	8900015130	CAB OPC-1131A <TJM>		
EP1	6910014690	S.BEA MPZ1608S221A-T	T	91.4/124.3
EP2	6910018460	S.BEA MMZ1005Y102C-T	T	91.2/149.3
EP6	6910018460	S.BEA MMZ1005Y102C-T	T	64.5/100.6
EP100	6910018460	S.BEA MMZ1005Y102C-T	T	55.9/19.2
EP101	6910018460	S.BEA MMZ1005Y102C-T	T	56.8/19.2
EP102	6910018460	S.BEA MMZ1005Y102C-T	T	57.8/19.2
EP103	6910018460	S.BEA MMZ1005Y102C-T	T	58.8/19.2
EP104	6910018460	S.BEA MMZ1005Y102C-T	T	64.5/10.7
EP105	6910018460	S.BEA MMZ1005Y102C-T	T	60.9/19.3
EP106	6910018460	S.BEA MMZ1005Y102C-T	T	64.5/11.6
EP107	6910018460	S.BEA MMZ1005Y102C-T	T	66.3/15.7
EP109	6910014690	S.BEA MPZ1608S221A-T	T	131.2/142.0
EP110	6910014690	S.BEA MPZ1608S221A-T	T	126.7/142.2
EP111	6910014690	S.BEA MPZ1608S221A-T	T	113.3/138.2
EP112	6910014690	S.BEA MPZ1608S221A-T	T	118.2/154.5
EP113	6910018460	S.BEA MMZ1005Y102C-T	T	124.2/142.9
EP114	6910014690	S.BEA MPZ1608S221A-T	T	117.4/147.0
EP115	6910014690	S.BEA MPZ1608S221A-T	T	129.8/142.0
EP116	6910018460	S.BEA MMZ1005Y102C-T	T	115.5/26.8
EP117	6910018460	S.BEA MMZ1005Y102C-T	T	119.6/21.1
EP118	6910018460	S.BEA MMZ1005Y102C-T	T	124.2/142.0
EP201	6910018460	S.BEA MMZ1005Y102C-T	T	26.0/74.3
EP300	6910018460	S.BEA MMZ1005Y102C-T	T	87.4/19.0
EP301	6910018460	S.BEA MMZ1005Y102C-T	T	85.3/19.0
EP304	6910018460	S.BEA MMZ1005Y102C-T	B	117.4/81.7
EP305	6910018460	S.BEA MMZ1005Y102C-T	B	117.4/79.3
EP306	6910018460	S.BEA MMZ1005Y102C-T	T	115.3/86.5
EP307	6910018460	S.BEA MMZ1005Y102C-T	T	97.7/73.3
EP308	6910018460	S.BEA MMZ1005Y102C-T	B	110.9/44.7
EP309	6910018460	S.BEA MMZ1005Y102C-T	B	111.3/48.1
EP310	6910018460	S.BEA MMZ1005Y102C-T	B	95.3/87.7
EP311	6910018460	S.BEA MMZ1005Y102C-T	B	110.9/43.8
EP312	6910018460	S.BEA MMZ1005Y102C-T	T	126.8/31.9
EP315	6910018460	S.BEA MMZ1005Y102C-T	T	125.2/30.3
EP316	6910018460	S.BEA MMZ1005Y102C-T	T	124.7/23.0
EP317	6910018460	S.BEA MMZ1005Y102C-T	T	125.8/23.0
EP318	6910018460	S.BEA MMZ1005Y102C-T	T	126.9/23.0

Eqv.= This component is equivalent to the REF No. component listed above, and may be substituted on parts orders and repairs.

[MAIN UNIT]

REF NO.	PARTS NO.	DESCRIPTION	M.	H/V LOCATION
EP319	6910018460	S.BEA MMZ1005Y102C-T	T	128.0/23.0
EP320	6910018460	S.BEA MMZ1005Y102C-T	T	125.2/21.4
EP321	6910018460	S.BEA MMZ1005Y102C-T	T	126.3/21.4
EP322	6910018460	S.BEA MMZ1005Y102C-T	T	127.4/21.4
EP323	6910018460	S.BEA MMZ1005Y102C-T	B	118.0/33.1
EP324	6910018460	S.BEA MMZ1005Y102C-T	B	125.0/30.7
EP330	6910018460	S.BEA MMZ1005Y102C-T	T	98.0/141.8
EP334	6910018460	S.BEA MMZ1005Y102C-T	T	100.0/142.0
EP351	6910018460	S.BEA MMZ1005Y102C-T	T	123.3/100.6
EP352	6910018460	S.BEA MMZ1005Y102C-T	T	86.4/19.0
EP353	6910018460	S.BEA MMZ1005Y102C-T	T	94.6/138.9
EP354	6910018460	S.BEA MMZ1005Y102C-T	T	102.1/148.6
EP355	6910018460	S.BEA MMZ1005Y102C-T	T	102.1/151.6
EP356	6910018460	S.BEA MMZ1005Y102C-T	T	95.8/136.4
EP357	6910018460	S.BEA MMZ1005Y102C-T	T	128.5/21.4
EP358	6910018460	S.BEA MMZ1005Y102C-T	T	129.1/23.0
EP359	6910018460	S.BEA MMZ1005Y102C-T	T	127.4/30.3
EP360	6910018460	S.BEA MMZ1005Y102C-T	T	127.9/31.9
EP361	6910018460	S.BEA MMZ1005Y102C-T	T	128.5/30.3
EP362	6910018460	S.BEA MMZ1005Y102C-T	T	129.0/31.9
EP400	6910018460	S.BEA MMZ1005Y102C-T	B	118.8/60.5
EP401	6910018460	S.BEA MMZ1005Y102C-T	T	115.3/56.4
EP402	6910018460	S.BEA MMZ1005Y102C-T	B	123.3/58.1
EP403	6910018460	S.BEA MMZ1005Y102C-T	T	113.7/55.6
EP404	6910016330	S.BEA MMZ1005S 601CT-S	T	113.7/54.7
EP405	6910018460	S.BEA MMZ1005Y102C-T	T	115.8/50.0
EP406	6910016330	S.BEA MMZ1005S 601CT-S	B	99.7/62.4
EP407	6910016330	S.BEA MMZ1005S 601CT-S	T	108.8/61.3
EP408	6910016330	S.BEA MMZ1005S 601CT-S	T	113.7/68.3
EP409	6910014690	S.BEA MPZ1608S221A-T	T	91.2/153.2

M.=Mounted side (T: Mounted on the Top side, B: Mounted on the Bottom side) S.=Surface mount

SECTION 7

MECHANICAL PARTS

[CONTROL UNIT]

REF NO.	ORDER NO.	DESCRIPTION	QTY.
J1*	6510027710	S5B-ZR-SM4A-TF (LF) (SN)	1
J2*	6510028740	14FLH-SM1-TB (LF) (SN)	1
J3*	6510028880	04-6238-010-410-800+	1
J5*	6510030110	IMSA-9681S-38Y901	1
J6	6450002260	6606A-B11G ROHS <KTC>	1
J7*	6510030080	IMSA-9632S-04Y800	1
DS1	5030003870	JIC-MSGF013343-01 <RYOYO>	1
S4	2250000880	EC12E2420801	1
S5	2250000880	EC12E2420801	1
S6*	2260002740	LS8J2M-T	1
S7*	2260002740	LS8J2M-T	1
W1**	8910000210	FFC-1026 (P0.5N10L80)	1
EP1	6910024590	WT5039-E <SKD>	1
EP13	6910024430	GPS-123B-077	1
MP1	8210029580	3484 FRONT PANEL (A)	[EUR-01] 1
	8210029580	3484 FRONT PANEL (A)	[ITR-01] 1
	8210029440	3484 FRONT PANEL	[TPE-01] 1
	8210029440	3484 FRONT PANEL	[USA-01] 1
	8210029440	3484 FRONT PANEL	[KOR-01] 1
	8210029440	3484 FRONT PANEL	[EXP-01] 1
MP2	8210029710	3484 REAR PANEL ASSEMBLY	1
MP3	8930089000	3484 POWER BUTTON	1
MP4	8930089010	3484 LCD PLATE	1
MP5	8930089020	3484 LCD SPONGE	1
MP6	8930089520	3484 GPS SPONGE	1
MP7	8610014670	KNOB N-415	2
MP8	8610014681	KNOB N-416-1	2
MP9	8610014690	KNOB N-417	2
MP10	8810009181	BT M2 X 5 NI-ZC3	4
MP11	8810009221	PHB0 M2 X 8 NI-ZK3 BT	4
MP12	8810009221	PHB0 M2 X 8 NI-ZK3 BT	4
MP16	8930064320	SPONGE (HW)	1
MP17	8310085160	3484 GPS LABEL	1

[CHASSIS UNIT]

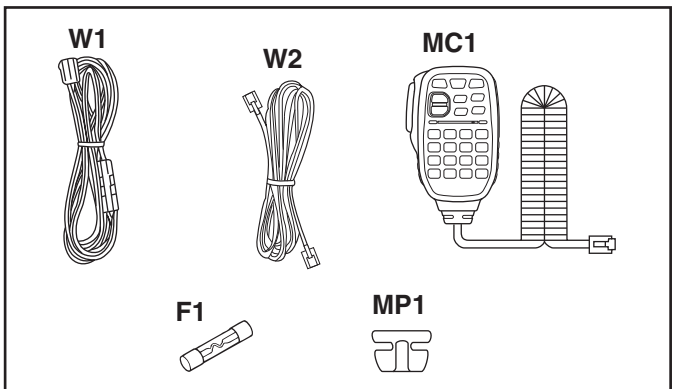
REF NO.	ORDER NO.	DESCRIPTION	QTY.
W1**	8600036881	SP CABLE-1 (FX2493 P01LO)<PHL>	1
J1*	6510004881	MR-DSE-01-1 <GA>	1
SP1	2510001160	057P0802	1
MF1	2710000820	EFB0412VHD-6P38 <USE>	1
MP1	8010022980	3484 CHASSIS	1
MP2	8210029460	3484 CHASSIS PANEL	1
MP3	8110010550	3484 U-COVER ASSEMBLY	1
MP4	8110010540	3484 L-COVER	1
MP5	8110009020	2969 FAN COVER	1
MP6	8930078590	3167 SP RUBBER (TOP)	1
MP7	8930089330	3484 CLIP Y1311	1
MP8	8810009611	FLAT M2.6X 6 ZK3	16
MP9	8810008661	PHBT M3 X 8 NI-ZC3	13
MP10	8810008661	PHBT M3 X 8 NI-ZC3	4
MP11	8810008661	PHBT M3 X 8 NI-ZC3	2
MP12	8810010141	SCREW PH M3 X30 ZK3	4
MP14	8930078390	THERMAL SHEET (BQ) TC350HS-1.4 (8X20)	1
MP15	8310081740	3393 NAME PLATE	1
MP16	8930089600	3561 PLATE Y1322	1
MP17	8810007410	PH M3 X 6 NI	1
MP18	8930085720	SPONGE (LV)	1

[ACCESSORIES]

REF NO.	ORDER NO.	DESCRIPTION	QTY.
F1	5210000080	FGB 20A (FGB0 125V)	1
MC1	(Optional)	HM-207 (KEYBOARD-E)	1
W1	(Optional)	OPC-1132A	1
W2	8900008610	OPC-837	1
MP1	8930007300	MIC HANGER	1

[MAIN UNIT]

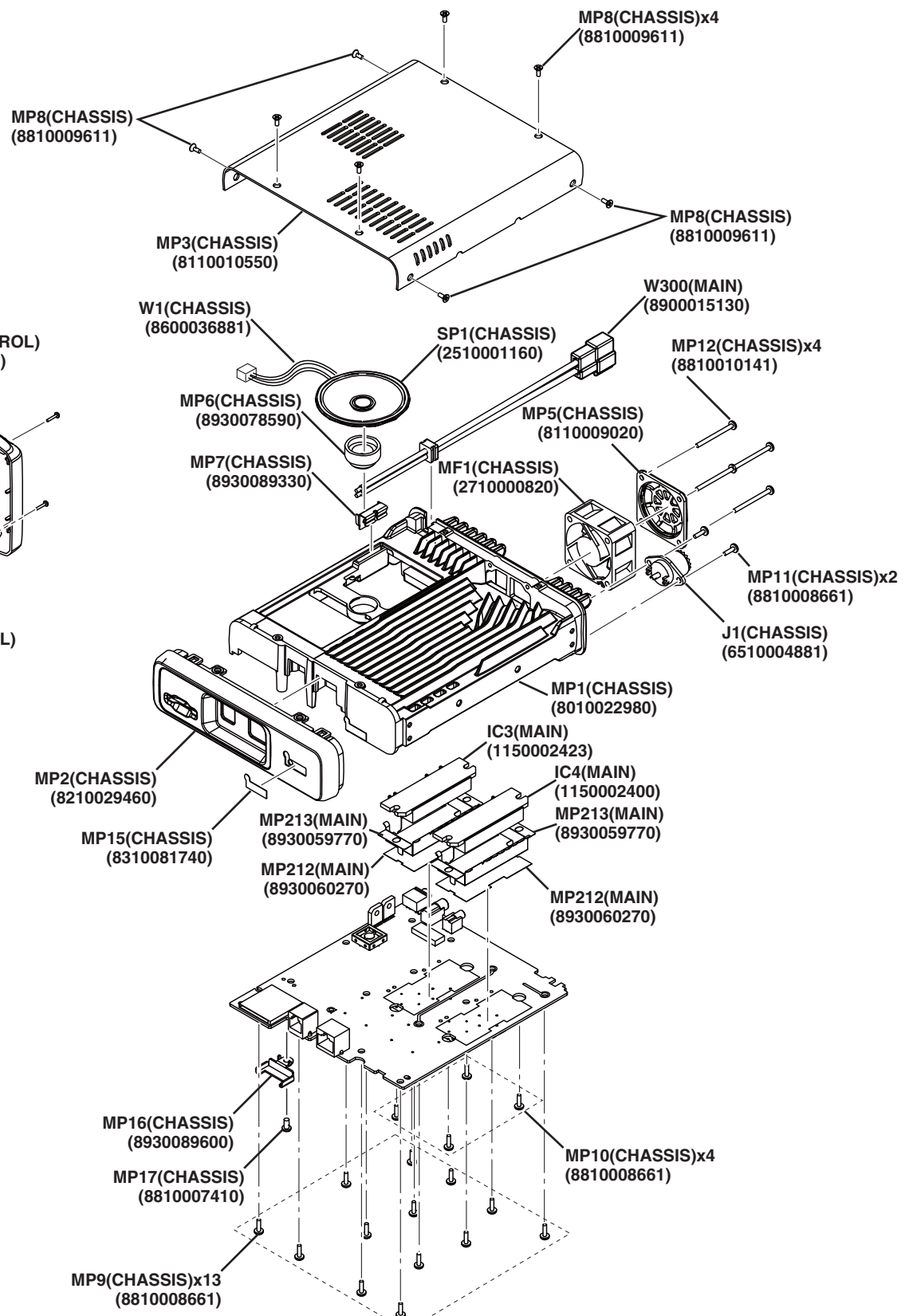
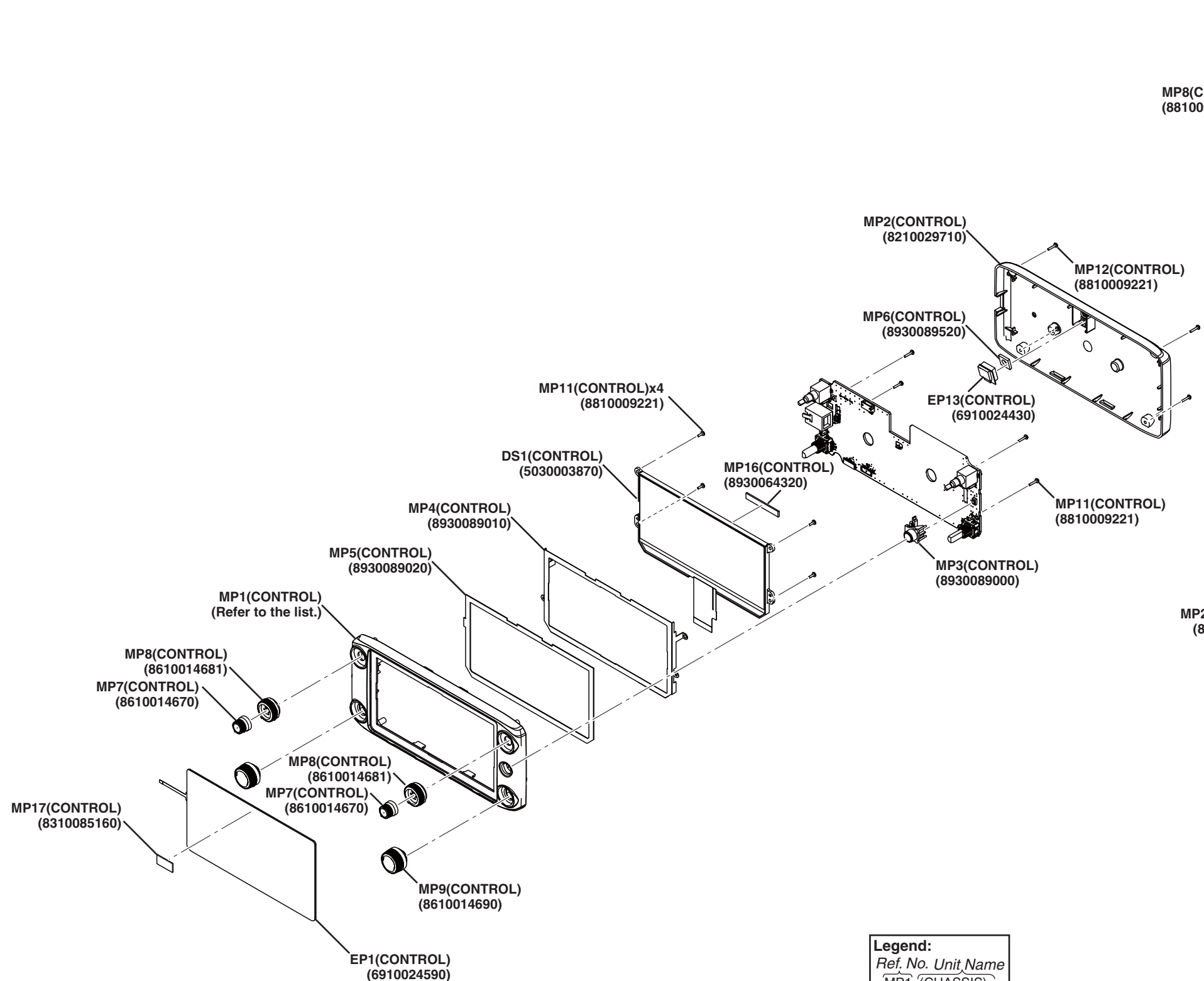
REF NO.	ORDER NO.	DESCRIPTION	QTY.
J1*	6510014961	B2B-ZR-SM4-TF (LF) (SN)	1
J100*	6510023110	3008L-8P8C <KIN>	1
J101*	6450001440	HSJ1403-01-010	1
J102*	6510025940	PJ-3047S <XIN>	1
J103*	6510014961	B2B-ZR-SM4-TF (LF) (SN)	1
J300*	6510025950	PCB-606 (6P6C) BLACK <VKH>	1
J301*	6510029570	20P5-0-JMCS-G-B-TF (N)	1
J304*	6510027740	HSJ2462-010010	1
J305*	6510028980	SCDABA0500	1
J400*	6510029010	20FHSY-RSM1-GAN-TB (LF) (SN)	1
BT300*	3020000390	ML414HIV01E	1
W1*	7030012290	RDS2T0R0	1
W300**	8900015130	OPC-1131A	1
MP200*	8510018150	2969 B-VCO CASE	1
MP202*	8510016471	2775 VCO CASE-1	1
MP203*	8510018140	2969 S-VCO CASE	1
MP204*	8510018150	2969 B-VCO CASE	1
MP206*	8510016471	2775 VCO CASE-1	1
MP207*	8510018140	2969 S-VCO CASE	1
MP208*	8510018160	2969 B-VCO COVER	2
MP210*	8510016461	2775 VCO COVER-1	2
MP211*	8510016461	2775 VCO COVER-1	2
MP212	8930060270	2633 M-SHEET	2
MP213	8930059770	2633 M-HOLDER Y668	2
MP214	8930088330	FERRITE SHEET (AM)	1
MP400	8510020600	3390 DSP CASE <KN>	1
MP401	8930079760	SHIELD SPONGE (CO)	1



*: Refer to "BOARD LAYOUTS" for the location.

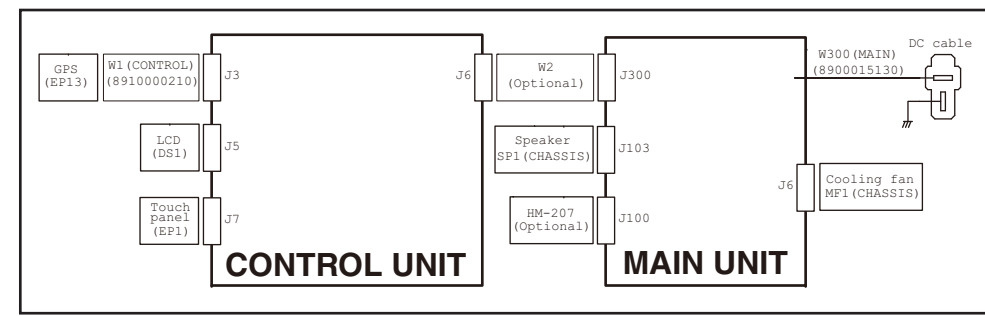
** : Refer to "GENERAL WIRING" for the connection

Screw abbreviations A, B0, BT: Self-tapping PH: Pan head ZK: Black NI-ZU: Nickel-Zinc SUS: Stainless



Legend:
 Ref. No. Unit Name
 MP1 (CHASSIS)
 (1234567890)
 Parts No.

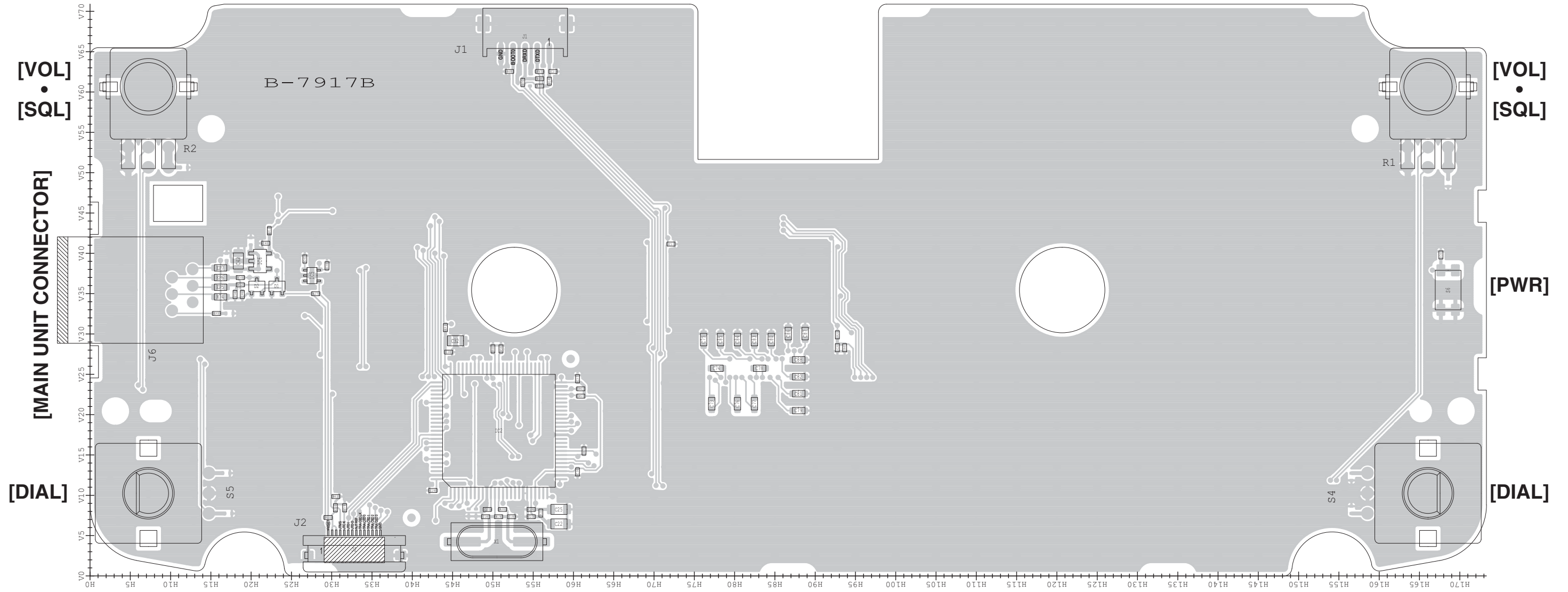
• GENERAL WIRING



NOTE: When replacing a flat cable, form the new one in the same shape as the original.

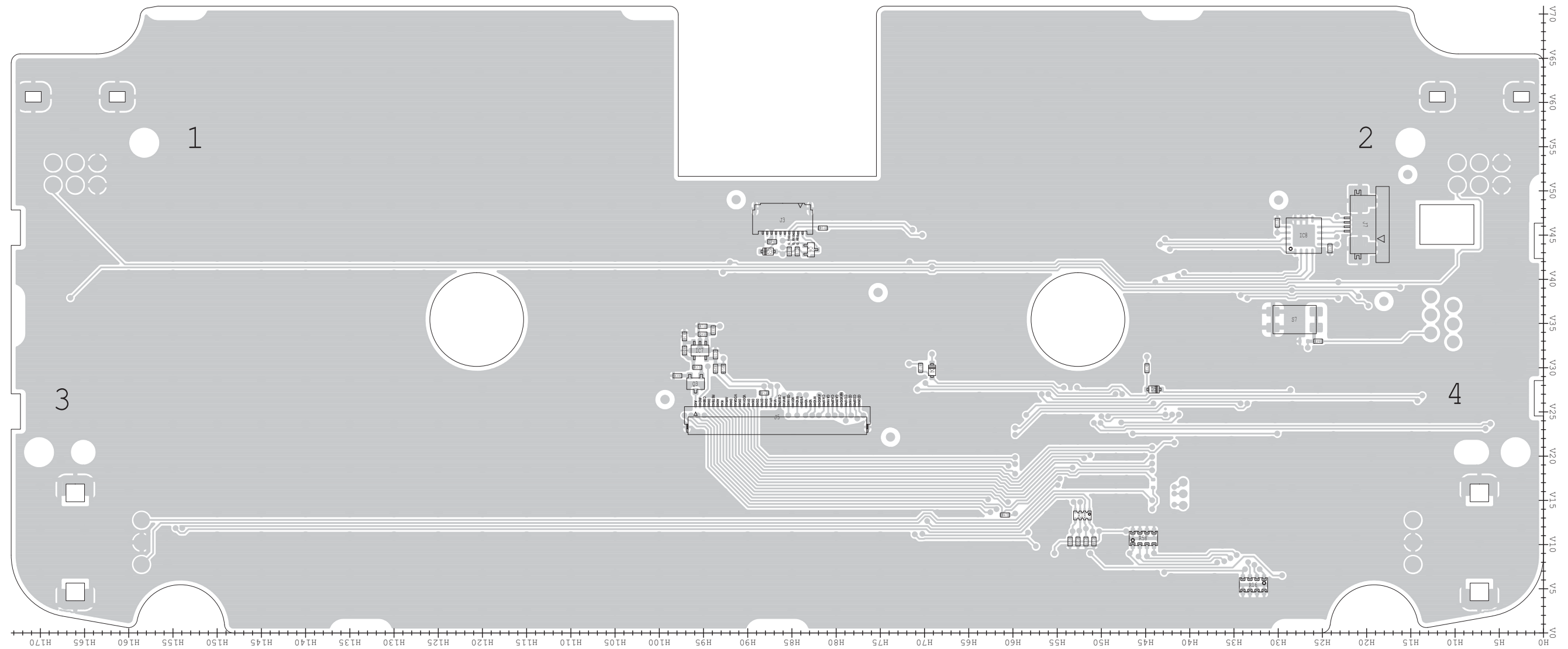
The actual configuration of the PC board can be seen by viewing the top and bottom BOARD LAYOUT pages together.

• CONTROL UNIT (B-7917B)
(TOP VIEW)



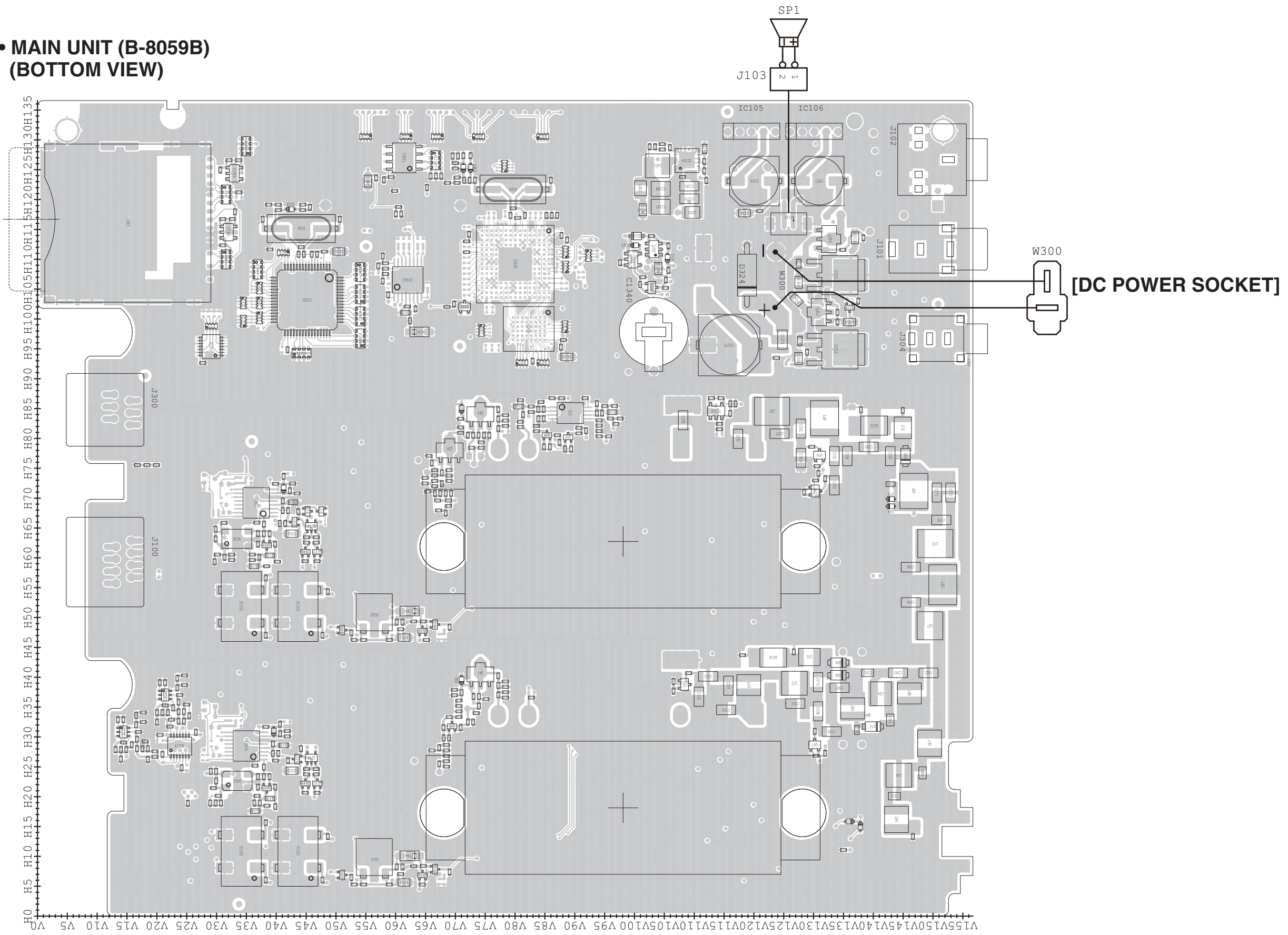
The actual configuration of the PC board can be seen by viewing the top and bottom BOARD LAYOUT pages together.

• CONTROL UNIT (B-7917B)
(BOTTOM VIEW)



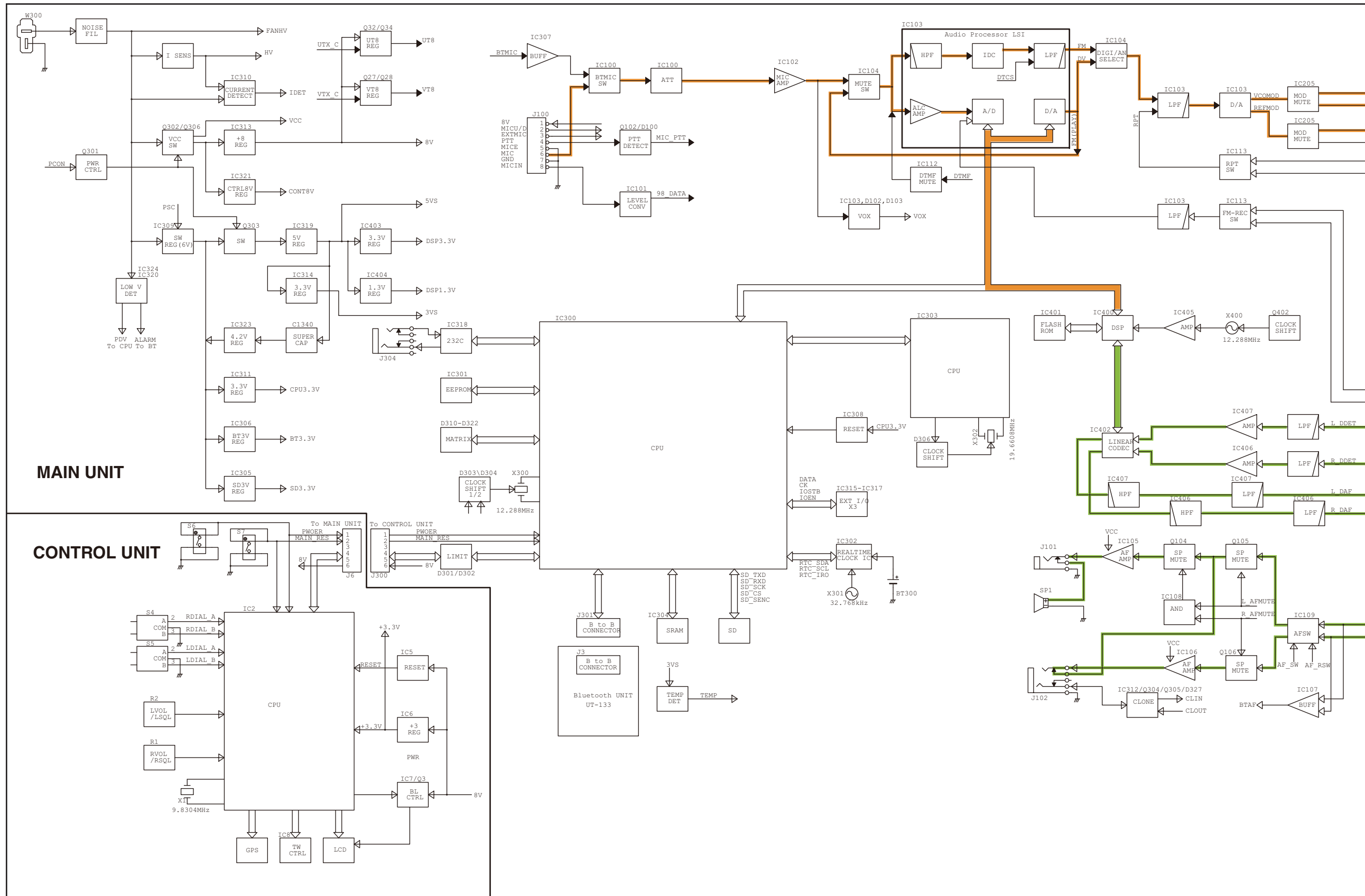
The actual configuration of the PC board can be seen by viewing the top and bottom BOARD LAYOUT pages together.

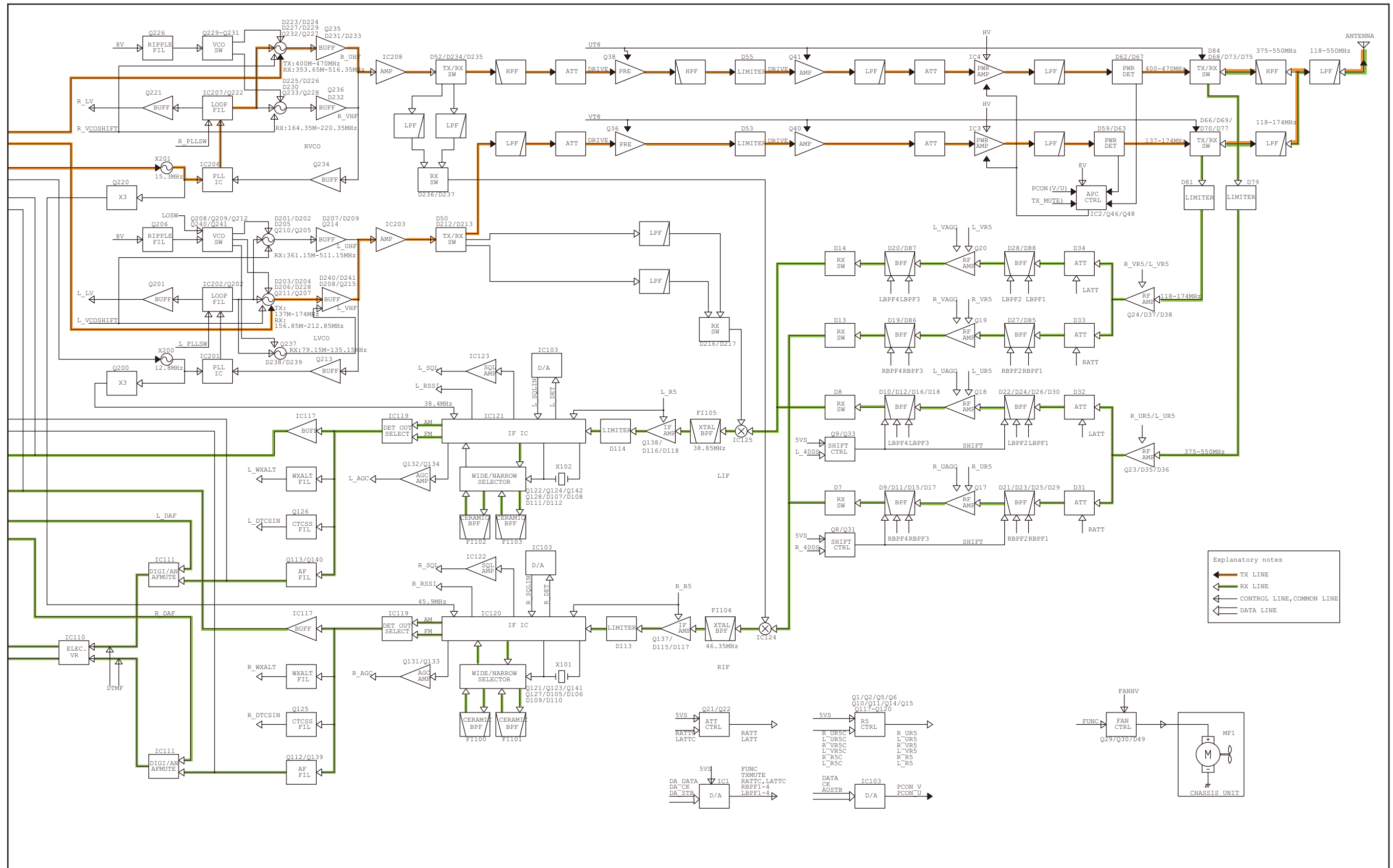
• MAIN UNIT (B-8059B)
(BOTTOM VIEW)



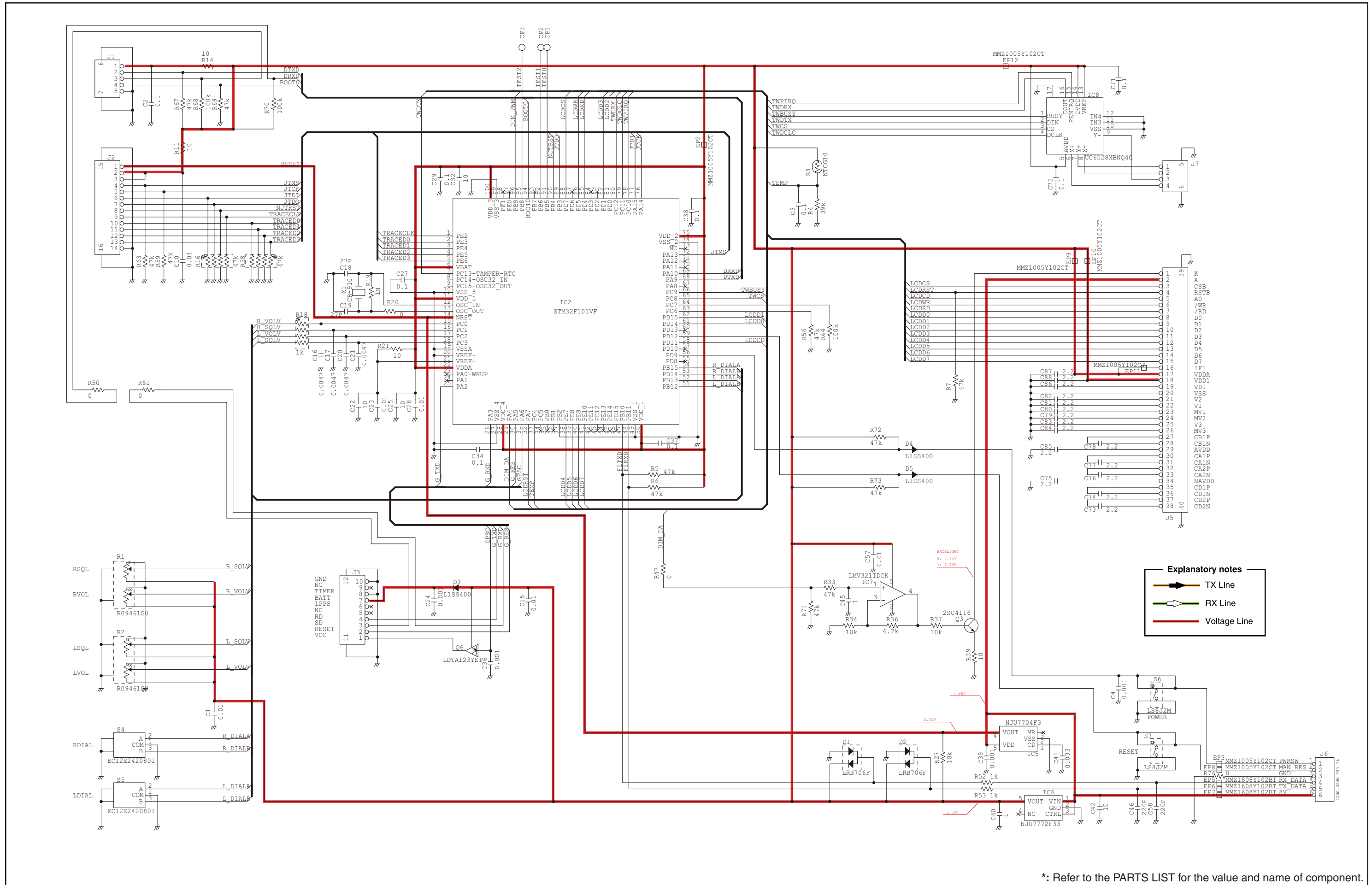
SECTION 9

BLOCK DIAGRAM



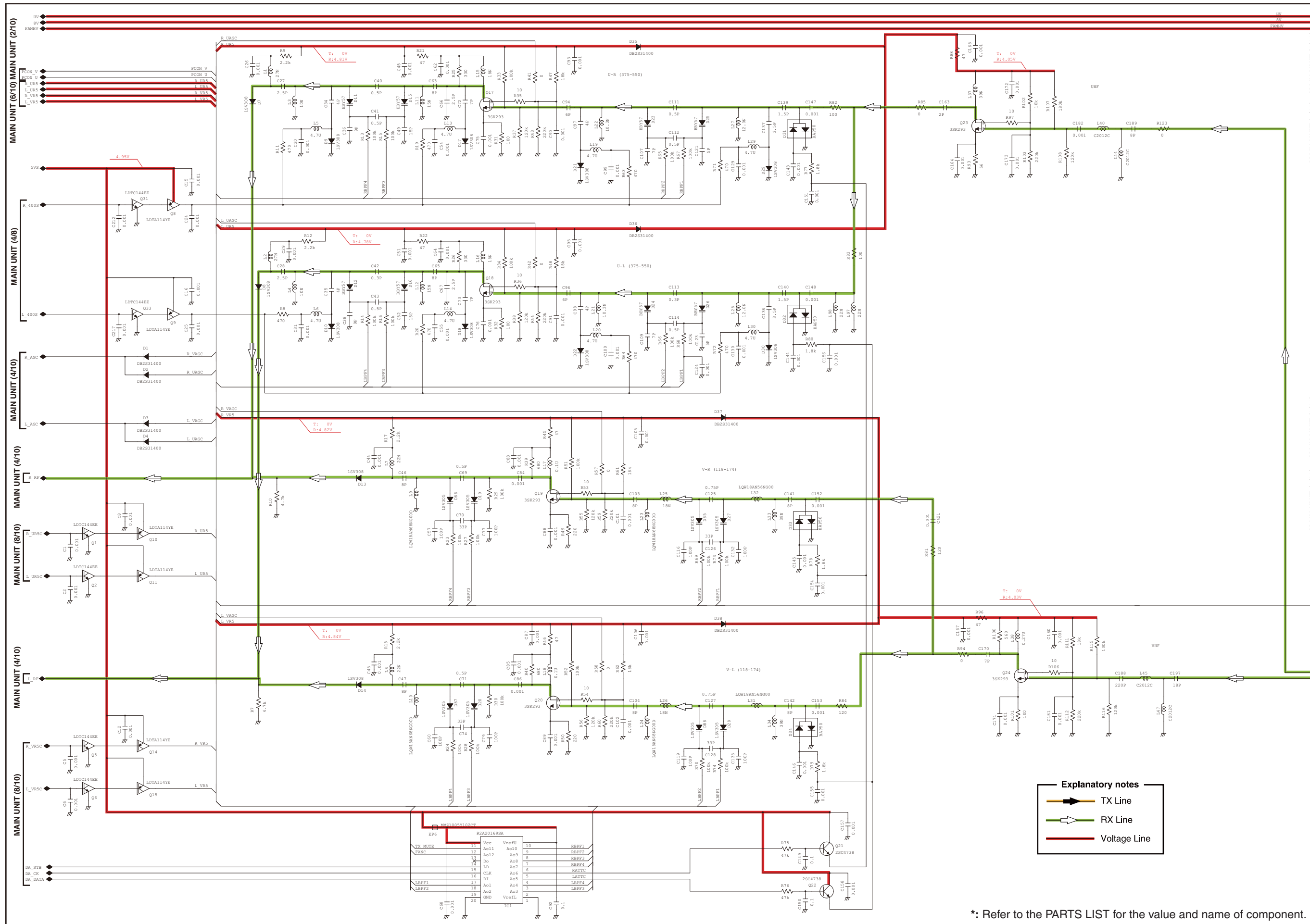


• CONTROL UNIT



*: Refer to the PARTS LIST for the value and name of component.

• MAIN UNIT (1/10)

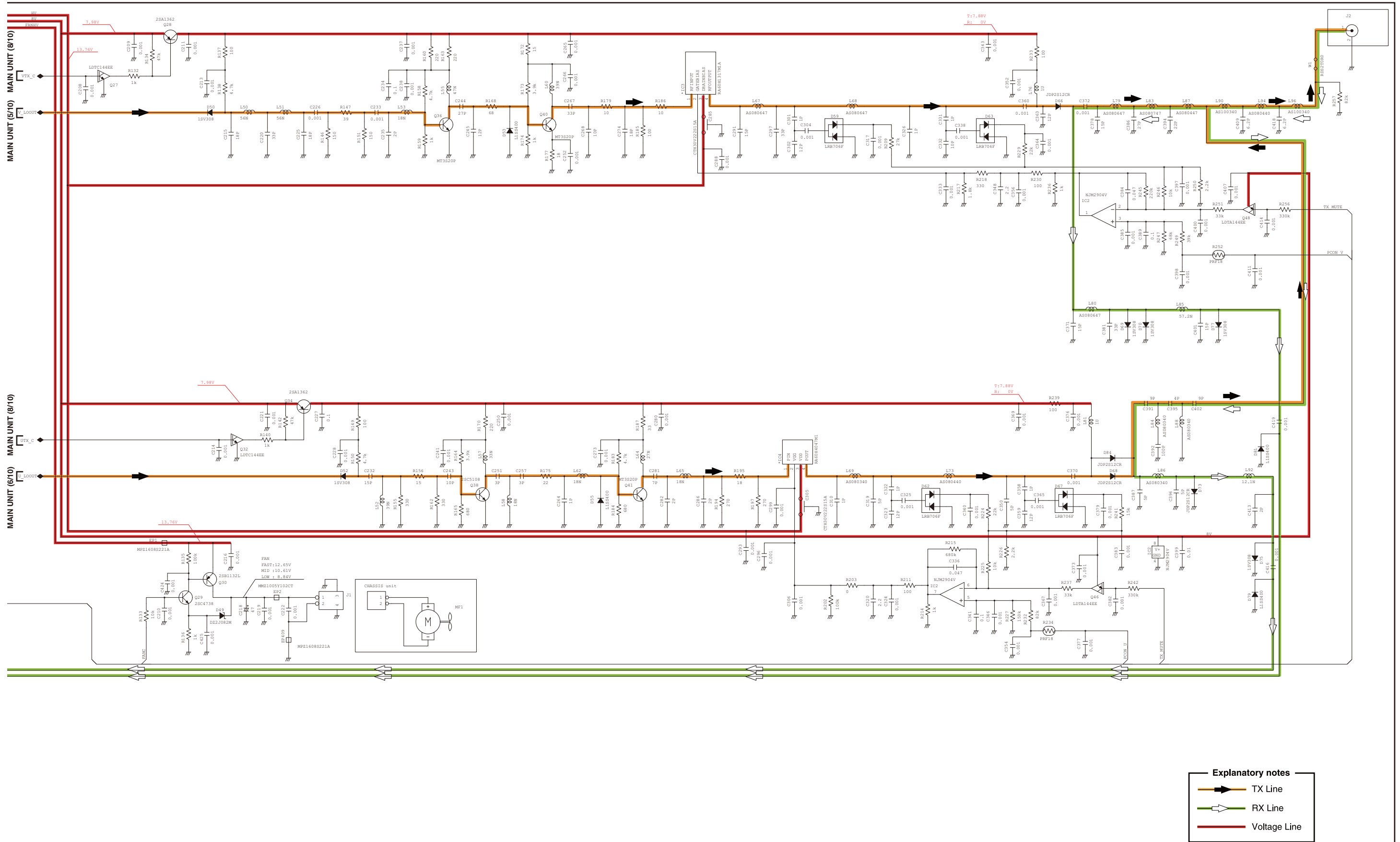


Explanatory notes

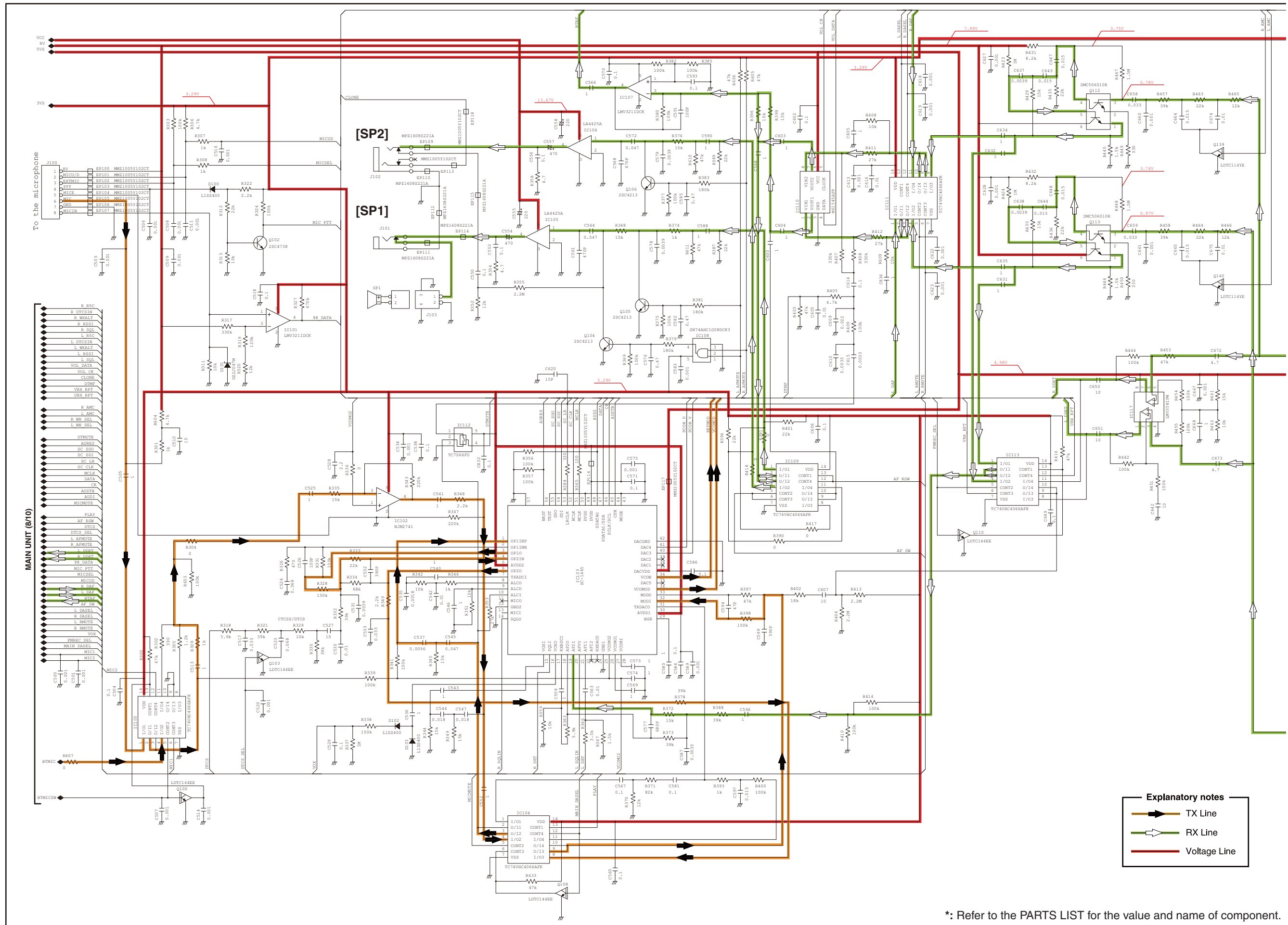
- TX Line
- RX Line
- Voltage Line

*: Refer to the PARTS LIST for the value and name of component.

• MAIN UNIT (2/10)



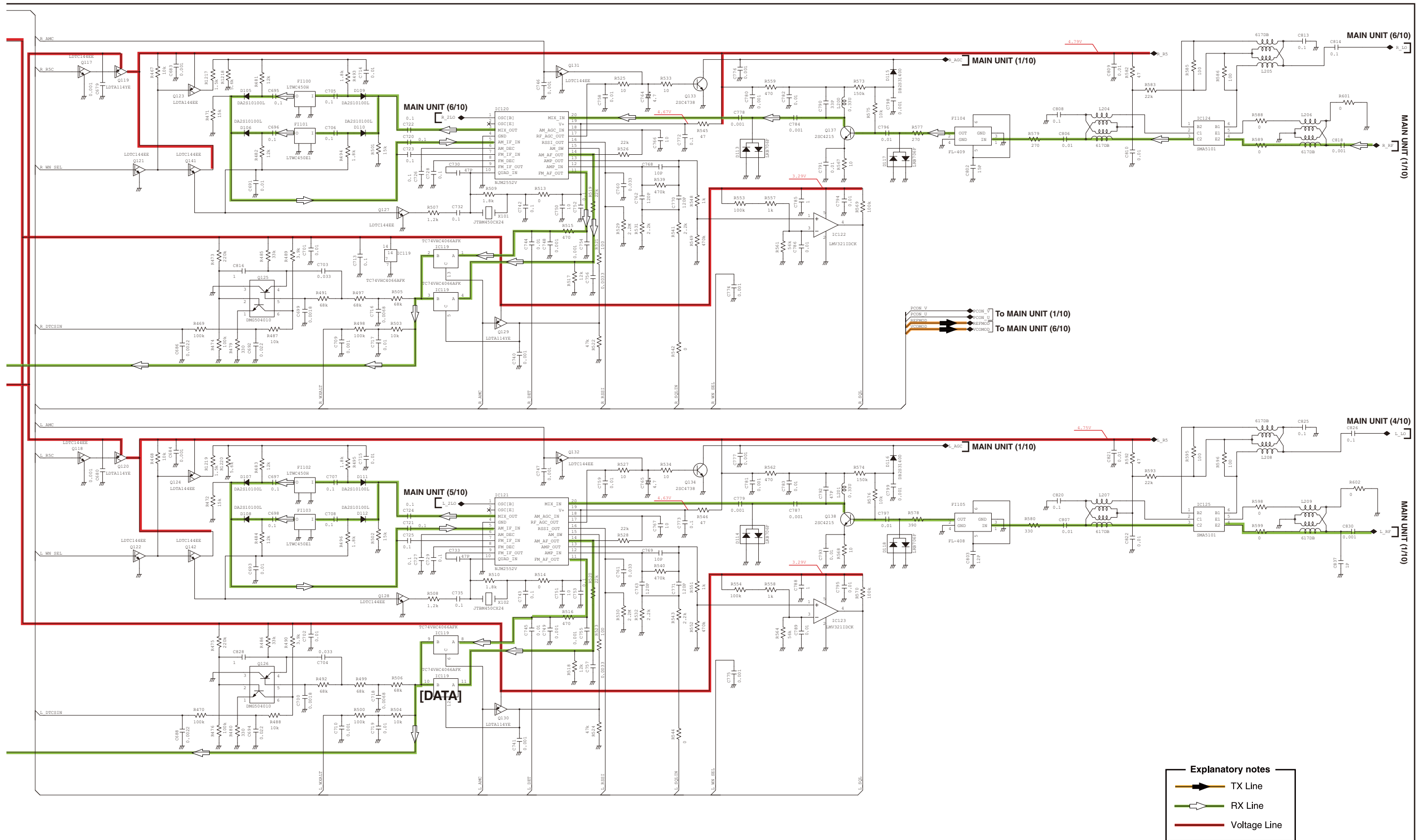
*: Refer to the PARTS LIST for the value and name of component.



Explanatory notes

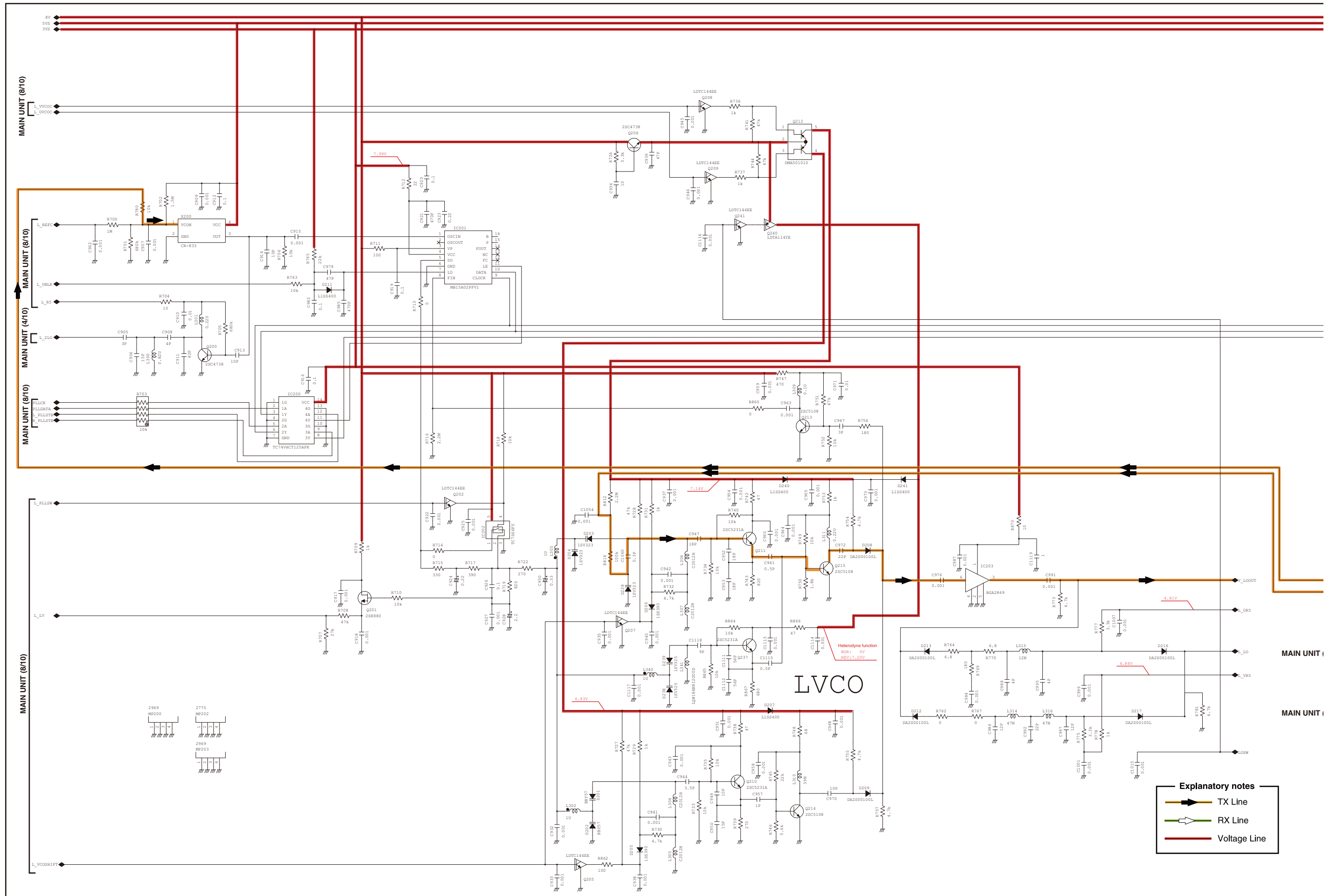
- TX Line
- RX Line
- Voltage Line

*: Refer to the PARTS LIST for the value and name of component.



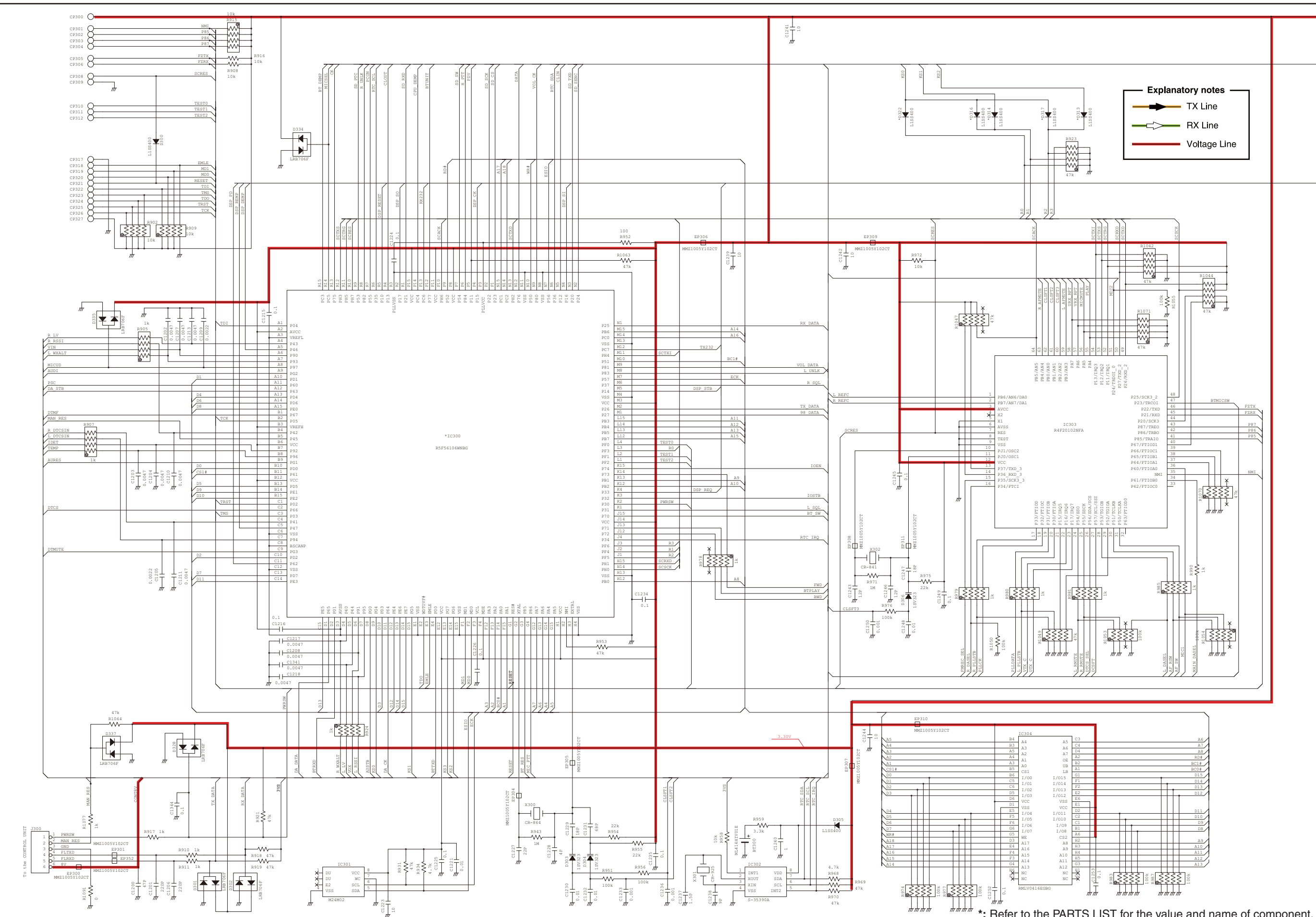
*: Refer to the PARTS LIST for the value and name of component.

• MAIN UNIT (5/10)

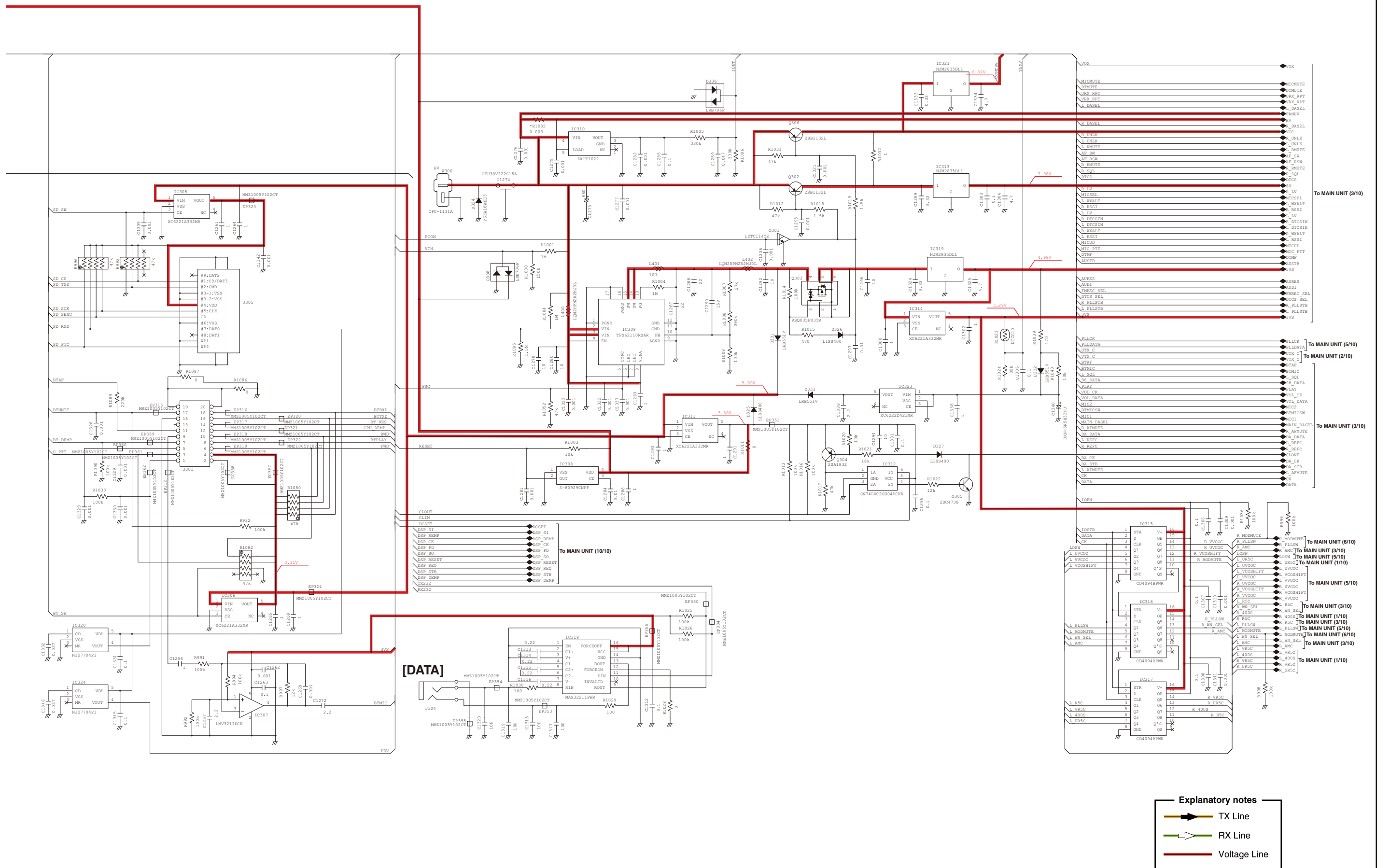


Explanatory notes

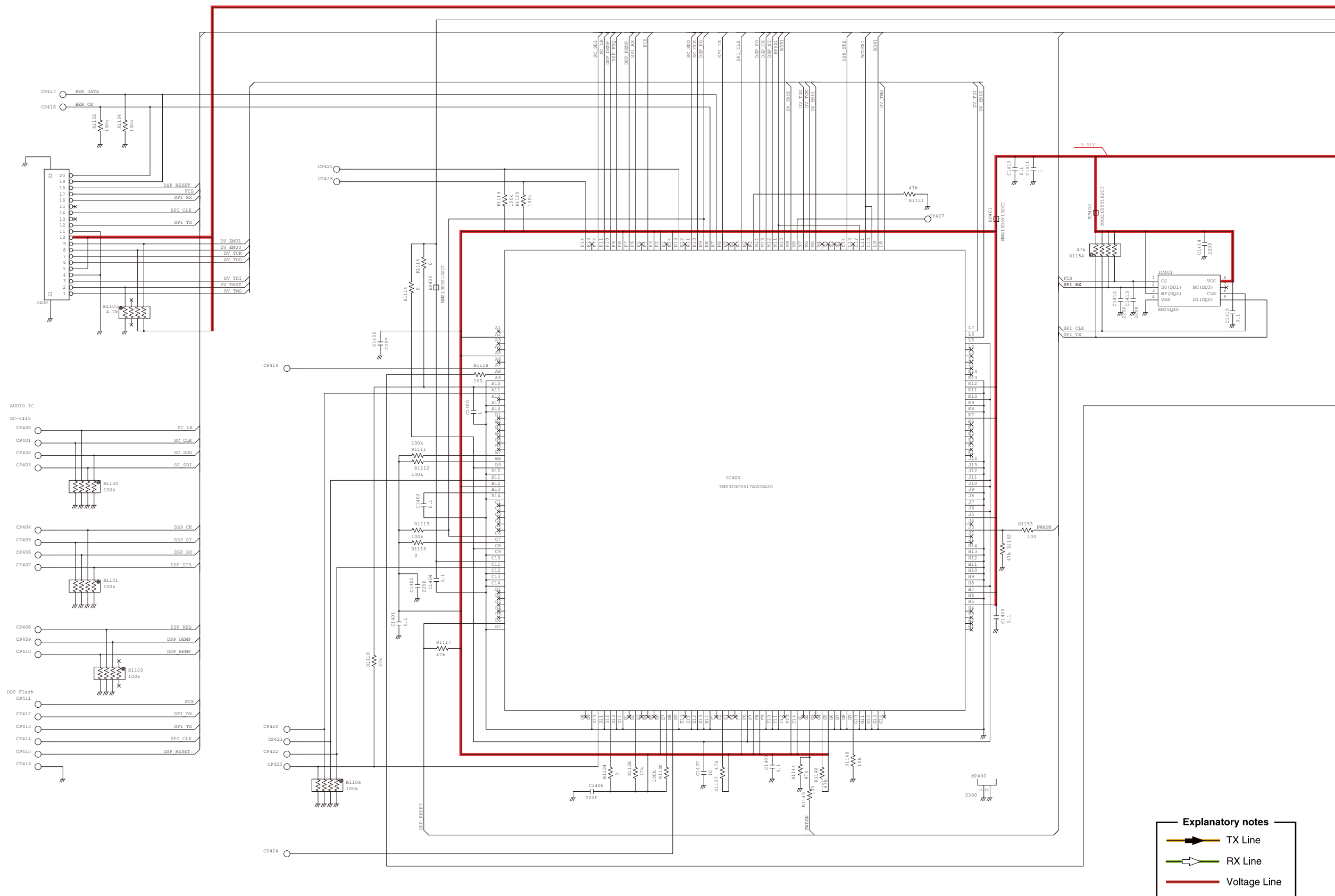
- TX Line
- RX Line
- Voltage Line



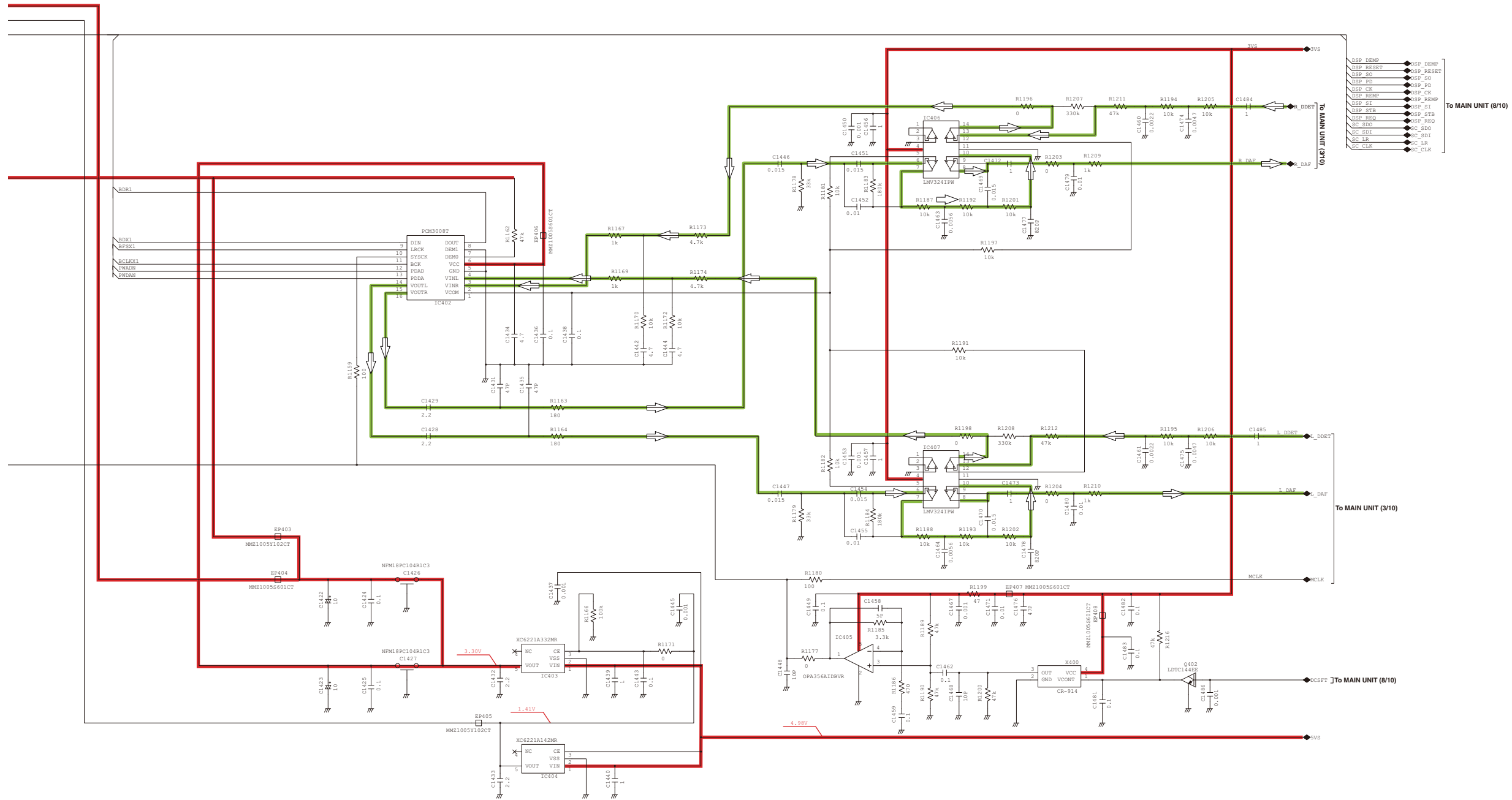
*: Refer to the PARTS LIST for the value and name of component.



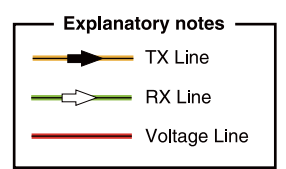
*: Refer to the PARTS LIST for the value and name of component.



*: Refer to the PARTS LIST for the value and name of component.



- ◆ DSP_DEMP
- ◆ DSP_RESET
- ◆ DSP_S0
- ◆ DSP_S1
- ◆ DSP_S2
- ◆ DSP_S3
- ◆ DSP_S4
- ◆ DSP_S5
- ◆ DSP_S6
- ◆ DSP_S7
- ◆ DSP_S8
- ◆ DSP_S9
- ◆ DSP_S10
- ◆ DSP_S11
- ◆ DSP_S12
- ◆ DSP_S13
- ◆ DSP_S14
- ◆ DSP_S15
- ◆ DSP_S16
- ◆ DSP_S17
- ◆ DSP_S18
- ◆ DSP_S19
- ◆ DSP_S20
- ◆ DSP_S21
- ◆ DSP_S22
- ◆ DSP_S23
- ◆ DSP_S24
- ◆ DSP_S25
- ◆ DSP_S26
- ◆ DSP_S27
- ◆ DSP_S28
- ◆ DSP_S29
- ◆ DSP_S30
- ◆ DSP_S31
- ◆ DSP_S32
- ◆ DSP_S33
- ◆ DSP_S34
- ◆ DSP_S35
- ◆ DSP_S36
- ◆ DSP_S37
- ◆ DSP_S38
- ◆ DSP_S39
- ◆ DSP_S40
- ◆ DSP_S41
- ◆ DSP_S42
- ◆ DSP_S43
- ◆ DSP_S44
- ◆ DSP_S45
- ◆ DSP_S46
- ◆ DSP_S47
- ◆ DSP_S48
- ◆ DSP_S49
- ◆ DSP_S50



*: Refer to the PARTS LIST for the value and name of component.

Icom Inc.

1-1-32, Kamiminami, Hirano-ku, Osaka 547-0003, Japan
Phone : +81 (06) 6793 5302
Fax : +81 (06) 6793 0013
URL : <http://www.icom.co.jp/world/index.html>

Icom America Inc.

<Corporate Headquarters>
12421 Willows Road NE, Kirkland, WA 98034, U.S.A.
Phone : +1 (425) 454-8155 Fax : +1 (425) 454-1509
URL : <http://www.icomamerica.com>
E-mail : sales@icomamerica.com
<Customer Service>
Phone : +1 (425) 454-7619

Icom Canada

Glenwood Centre #150-6165
Highway 17A Delta, B.C., V4K 5B8, Canada
Phone : +1 (604) 952-4266 Fax : +1 (604) 952-0090
URL : <http://www.icomcanada.com>
E-mail : info@icomcanada.com

Icom (Australia) Pty. Ltd.

Unit 1 / 103 Garden Road, Clayton VIC 3168 Australia
Phone : +61 (03) 9549-7500 Fax : +61 (03) 9549-7505
URL : <http://www.icom.net.au>
E-mail : sales@icom.net.au

Icom New Zealand

146A Harris Road, East Tamaki,
Auckland, New Zealand
Phone : +64 (09) 274 4062 Fax : +64 (09) 274 4708
URL : <http://www.icom.co.nz>
E-mail : inquiries@icom.co.nz

Icom Brazil

Rua Itororó, 444 Padre Eustáquio Belo Horizonte MG,
CEP: 30130-150 Brazil
Phone : +55 (31) 3582 8847 Fax : +55 (31) 3582 8987
E-mail : sales@icombrazil.com

Icom (Europe) GmbH

Communication Equipment
Auf der Krautweide 24
65812 Bad Soden am Taunus, Germany
Phone : +49 (6196) 76685-0 Fax : +49 (6196) 76685-50
URL : <http://www.icomeurope.com>
E-mail : info@icomeurope.com

Icom Spain S.L

Ctra. Rubi, No. 88 Bajos A 08174, Sant Cugat del Valles, Barcelona, Spain
Phone : +34 (93) 590 26 70 Fax : +34 (93) 589 04 46
URL : <http://www.icomspain.com>
E-mail : icom@icomspain.com

Icom (UK) Ltd.

Blacksole House, Altira Park, Herne Bay, Kent CT6 6GZ, UK
Phone : +44 (0) 1227 741741 Fax : +44 (0) 1227 741742
URL : <http://www.icomuk.co.uk>
E-mail : info@icomuk.co.uk

Icom France s.a.s.

Zac de la Plaine
1 Rue Brindejonc des Moulinais BP 5804
31505 Toulouse Cedex, France
Phone : +33 (5) 61 36 03 03 Fax : +33 (5) 61 36 03 00
URL : <http://www.icom-france.com>
E-mail : icom@icom-france.com

Asia Icom Inc.

6F No.68, Sec. 1 Cheng-Teh Road, Taipei, Taiwan, R.O.C.
Phone : +886 (02) 2559 1899 Fax : +886 (02) 2559 1874
URL : <http://www.asia-icom.com>
E-mail : sales@asia-icom.com

Count on us!

Icom Inc.

1-1-32, Kamiminami, Hirano-ku, Osaka 547-0003, Japan

S-15103XZ-C1
© 2014 Icom Inc.