


ID-880H/E880 DR mode operating guide

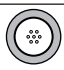
■ DR mode operation


First, program a MY call sign (Instruction manual: ID-880H p. 31, ID-E880 p. 30), then set it to the current call sign position (p. 42). Next program the repeater list (p. 35). After that, follow this guide to access a D-STAR repeater. The CS-80/880* CLONING SOFTWARE (free download software) is helpful for programming call signs or the repeater list. (Icom Global Site <http://www.icom.co.jp/world/index.html>) *Cloning cable is required.

Push  momentarily to enter the DR mode.

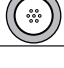
Step 1 Accessed repeater (RPT1) selection

Select the access repeater name.
(e.g. HIRANO43)

Rotate 


Push and hold  for 1 sec.

Step 2 (UR) call sign selection

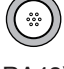
Select UR call sign. Rotate 

Calling a CQ	Calling a specific station
In the same Area : CQCQCQ	(e.g. JG3YMK)
To other Area : Repeater name (e.g. IKOMA43)	


To call CQ in the same zone, or a different zone, the settings are the same.

Push and hold  for 1 sec.

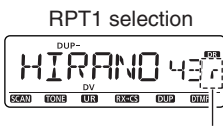
Step 3 Linked repeater (RPT2) selection

Select the linked repeater. Rotate 

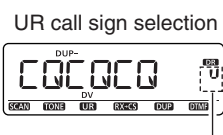
In the same Area : NOT USE
In the same Zone : Repeater name (e.g. NARA43)
To a different Zone : GW

Push .

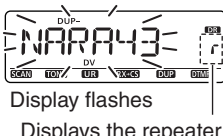
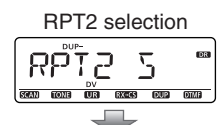
Push and hold PTT to transmit, release to receive.







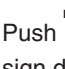
Displays the repeater icon



Displays the UR call sign icon



NOTE:


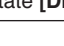

- **The access repeater scan is useful to find an accessible repeater.**
Start : Push and hold  for 1sec.
Stop : Push once again.
- **Group selection is available while selecting UR call sign.**
Group selection: Push  momentarily.
“GRP CQ” (CQCQCQ), “GRP RP” (Repeater group) and “GRP UR” (UR call sign memories) momentarily appear in sequence.
A specific station can be selected, or “GRP UR” in the group selection will appear, only when the UR call sign memory has been programmed.
- **The setting can be confirmed.**
Confirmation: Push  momentarily.
Rotate  to display “UR,” “R1,” “R2,” “MY” and “FRQ” in sequence.
Push  to toggle the name display and call sign display.
Name display is available only for repeater call signs that have programmed repeater names.
Push once again to exit the confirmation screen.

■ Storing Received call sign (UR, RPT1 or RPT2)

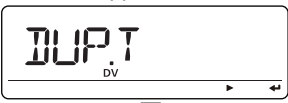
This is a way to copy the call record contents (“CALLER,” “RXRPT1” and “RXRPT2”) into the call sign memory “UR” and the repeater list “R-L” at the same time, or individually.

① Enter the RX CAL (RX call sign) mode.


MENU ⇄ RX CAL

① Push  to enter the Menu screen.
② Rotate  to select “RX CAL,” ③ then push .

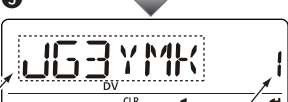
① The previously selected screen appears



②

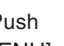


③






Displays the CALLER's call sign

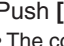
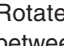
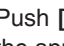
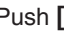
Displays call record channel

① Push  [MENU]


② Rotate

③ Push  [←] (MONI)

- The RX call sign screen is displayed.
- ② Rotate  to select the desired record channel.
- ③ Push  several times to select the desired call sign from CALLER, / (CALLER's note), CALLED, RXRPT1 and RXRPT2.

- ④ Push  (LOW) to enter the copy select mode.
• The copy select screen is displayed.
- ⑤ Rotate  to select the desired call sign to be copied, between “C ALL,” “C UR01”–“C UR60” and “C R-L.”
• The “C ALL” selection won't appear when either the station call sign memory or the repeater list has no blank channel.
- C ALL** : Copy the caller call sign in “CALLER” into “UR” (station call sign memory) and the repeater call sign in “RXRPT1” / “RXRPT2” into the repeater list. This selection won't appear when either the station call sign memory or the repeater list has no blank channel.
- C UR01–**
- C UR60** : Copy the caller call sign in “CALLER” into “UR” (station call sign memory). This selection appears when entering the copy select mode (step ④) from only “CALLER.”
- C R-L** : Copy the repeater call sign in “RXRPT1” / “RXRPT2” into the repeater list. This selection appears when entering the copy select mode (step ④) from only “RXRPT1” or “RXRPT2.”
- ⑥ Push  to copy the selected record's contents into the appropriate call sign memory or repeater list.
- ⑦ Push  to return to the operating display.

Erase the call record contents

- Select “CLEAR” in step ⑤, then push  to erase the selected channel contents.