

KENWOOD

INTERFACE KIT

IF-10A

IF-10B

---

# INSTRUCTION MANUAL

TRIO-KENWOOD CORPORATION

©PRINTED IN JAPAN B50-8065-00(K,M)(G)  
86/12 11 10 9 8 7 6 5 4 3 2 1 / 85/12

## WARNING

This equipment has been certified to comply with the limits for a Class B computing device, pursuant to Subpart J of Part 15 of FCC Rules. Only peripherals (computer input/output devices, terminals, printers, etc.) certified to comply with the Class B limits may be attached to this computer. Operation with non-certified peripherals is likely to result in interference to radio and TV reception.

Thank you for purchasing the new IF-10A/10B interface kit. Please read this instruction manual carefully before placing your interface kit in service. This unit has been carefully engineered and manufactured to rigid quality standard, and should give you satisfactory and dependable operation for many years.

This instruction manual describes both the IF-10A and the IF-10B. When appropriate, separate descriptions are given for these two items.

IF-10A: INTERFACE KIT FOR THE TS-811A/811B/811E/  
711A/711E

IF-10B: INTERFACE KIT FOR THE TS-940S

The IF-10A/10B interface kit is designed to be installed internally in transceivers such as the TS-940S/811A/811B/811E/711A/711E, to allow computer assisted control of various transceiver operating parameters. Control is performed via the computers RS-232C terminal via the IF-232C interface (level translator).

# CONTENTS

<b>1. FEATURES</b> .....	3
<b>2. SUPPLIED ACCESSORIES</b> .....	3
<b>3. SPECIFICATIONS</b> .....	4
3-1. Interface.....	4
3-2. Terminal connections.....	4
<b>4. INSTALLATION</b> .....	5
4-1. IF-10A.....	5
4-2. IF-10B.....	7
<b>5. OPERATION</b> .....	8
5-1. Precautions for computer-connected operation.....	8
5-2. Control operation.....	8
5-3. Commands.....	9
5-3-1. Command description.....	9
5-3-2. Parameter description.....	9
5-3-3. Terminator.....	11
5-3-4. Types of commands.....	11
5-3-5. Error messages.....	11
5-3-6. How to read the command tables.....	12
5-3-7. Command use precautions.....	14
5-3-8. Command list.....	14
<b>6. SCHEMATIC DIAGRAM</b> .....	47

# 1. FEATURES

1. A wide variety of control instructions are possible.
2. Powerful, easy-to-understand instruction set.
3. Common commands that are interchangeable between different transceivers, reducing the number of changes necessary in software development.
4. Simultaneous operation of personal computer and transceiver.

# 2. SUPPLIED ACCESSORIES

The following accessories are supplied with the unit. Confirm that all are present.

1. EPROM ..... (MBM2732A-30) .... 1 ea.
2. Boss (IF-10A only)..... (J32-0795-04)..... 2 ea.
3. Pan-head screw (IF-10A only)..... (N30-2605-41) ..... 2 ea.
4. Self tapping screw (IF-10B only)..... (N35-2605-41) ..... 2 ea.
5. DIN connector bracket (IF-10A only)..... (E06-0655-05)..... 1 ea.
6. Instruction manual..... (B50-8065-00)..... 1 ea.

**Note:**

The IF-10A/10B does not include computer software, guidelines are provided but due to the wide variety of computers available, all of which have their own languages it is left up to the owner to design his or her own software package.

# 3. SPECIFICATIONS

## 3-1. Interface

Communication method ..... Serial interface, full-duplex

Transfer rate..... 4800 BPS (bits per second)

Synchronization ..... Start-stop (Asynchronous)

Bit construction..... 1 start bit, 8 character bits, 2 stop bits

Parity..... None

Signal format..... TTL level

## 3-2. Terminal connections

Pin No.	Signal Name		I/O
1	GND	Signal ground	
2	$\overline{\text{TXD}}$	Transmit data	Output
3	$\overline{\text{RXD}}$	Receive data	Input
4 (Note)	CTS	Transmit enable	Input
5	RTS	Receive enable	Output
6	NC		

**Note:** For the TS-940S pin 4 is +5 V.

$\overline{\text{GND}}$ : This is the signal ground terminal.

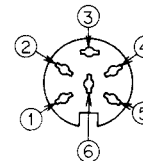
$\overline{\text{TXD}}$ : The transmit data is the serial data from the transceiver to the computer. The output utilizes negative logic.

$\overline{\text{RXD}}$ : The receive data is the serial data from the computer to the transceiver. The input utilizes negative logic.

CTS: This signal is supplied from the computer, and is used to inhibit transmit data from the transceiver when the computer is not ready to receive. The input utilizes positive logic. (Transmit data is stopped by a logic low.) [Except TS-940S]

RTS: This signal is applied to the computer, and is used to inhibit transmit data from the computer when the transceiver is not ready to receive it. The output utilizes positive logic. (Inhibit is requested when the level is low.)

Connector pin configuration



(Viewed from the rear)

# 4. INSTALLATION

## 4-1. IF-10A

### Caution:

Before removing the cover be sure to disconnect the power cable, or damage may result to the radio or interface kit.

1. Remove the eight screws securing the upper cover using a # 2 Phillips screwdriver.
2. Remove the two screws marked  $\ominus$  from the control unit, and install the supplied bosses.
3. Plug the interface board onto the 7 pin connector (J5) and 9 pin connector (J6) as shown in the illustration.
4. Secure the circuit board using the two screws removed in step number 2.
5. Remove the plastic plug that is currently installed in the ACC1 jack area, at the upper rear corner of the radio.
6. Install the DIN connector using the bracket supplied, as shown in the illustration.
7. Install the EPROM (Erasable and Programmable Read Only Memory) into the vacant socket on the circuit board.

### Caution:

Align the notch on the EPROM with the notch in the socket, or damage to the EPROM and or circuit board may result!

8. Replace the top cover.

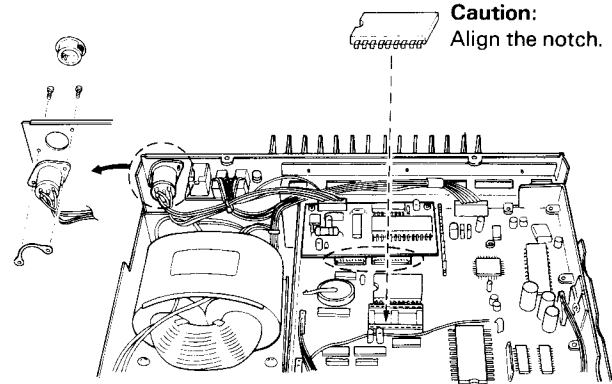


Fig. 4-1

## 4-2. IF-10B

### Caution:

Before removing the cover be sure to disconnect the power cable, or damage may result to the radio or interface kit.

1. Remove the eight screws securing the transceiver's upper cover, using a # 2 Phillips head screwdriver, and remove the top cover.
2. Remove the four screws that secure the speaker mounting bracket to the chassis and swing the bracket up towards the AT (antenna tuner) unit. Be especially careful of the wiring harness. Don't stretch the cable harness.
3. Next remove the four screws that secure the shield covering Digital A unit. Swing the cover to the side. Again be careful of the wiring harness.
4. Place the interface unit on the hexagonal boss on the Digital A unit, and secure it with the screws provided with the interface kit.
5. Connect the connector on Digital A unit to the interface unit as shown in Fig. 4-6.
6. Install the expansion EPROM (Erasable and Programmable Read Only Memory) into the vacant socket on the digital unit. Orientation of this component is critical for proper operation of the radio, and interface.

### Caution:

Install the EPROM so that the notch in the end is on the same end as the notch in the IC socket.

7. Replace the shield cover. Do not pinch any wires under the cover when you tighten it down.
8. Reinstall the speaker mounting bracket, confirming that the connector located on the left side of the digital A unit is secure, and not pinched under the bracket.
9. Replace the top cover.

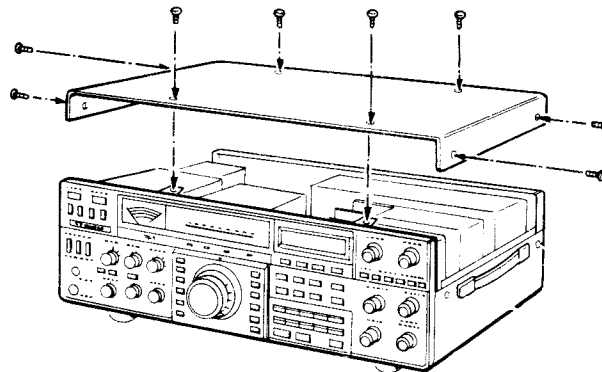
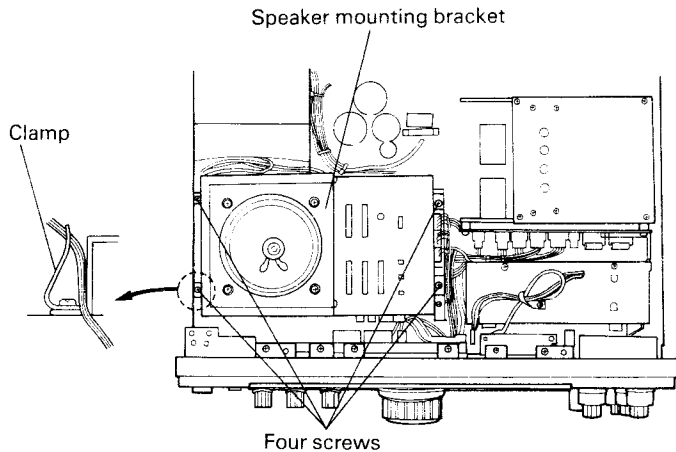
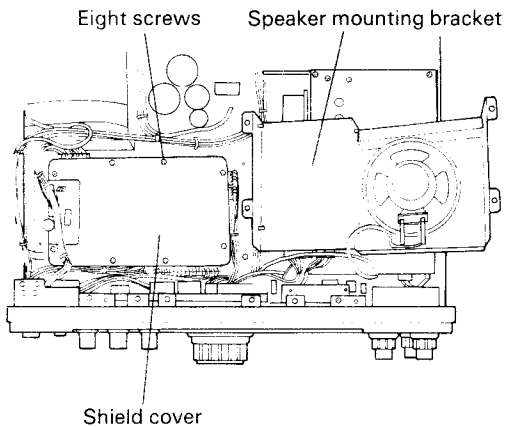


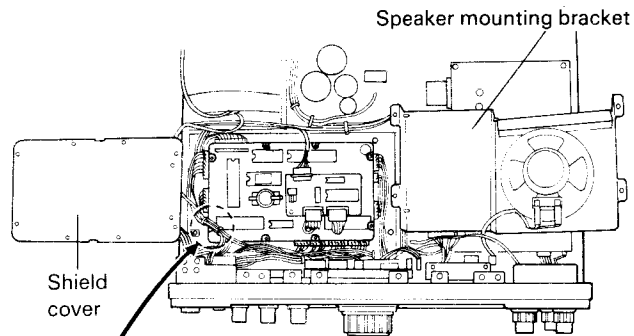
Fig. 4-2



**Fig. 4-3**

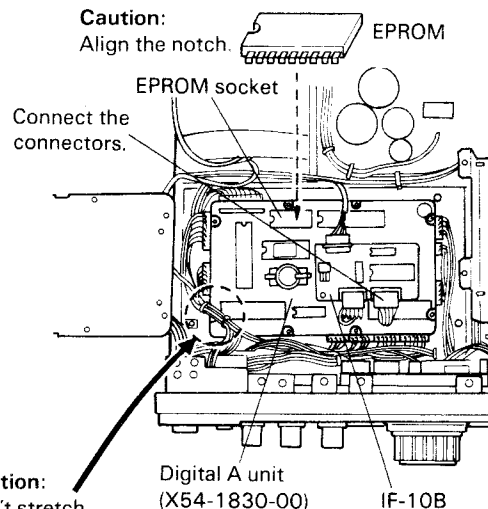


**Fig. 4-4**



**Caution:**  
Don't stretch the cable harness.

**Fig. 4-5**



**Caution:**  
Don't stretch  
the cable harness.

**Fig. 4-6**

# 5. OPERATION

## Caution:

Turn the POWER switch OFF before making connections.

## 5-1. Precautions for Computer-Connected Operation

When connecting the transceiver with a computer, check the following points.

### 1. Are the connections correct?

The transceiver output should be connected to the computer input and the transceiver input to the computer output.

### Example:

Transceiver's receive data — Computer's receive data  
Transceiver's RTS — Computer's CTS

### 2. Is the computer's transmission rate 4800 BPS (bits per second)?

### 3. Is the computer's bit configuration correct?

1 start bit, 8 character bits, 2 stop bits, no parity.

## 5-2. Control Operation

Most computers handle data in the form of "bits", and "bytes". A bit is the smallest piece of information that the computer can handle. A byte is composed of 8 bits. This is the most convenient form for most computer data. This data may be sent in the form of either serial or parallel data strings. The parallel mode is faster, but more complicated,

while the serial form is slower it requires less complicated equipment, and therefore is less expensive.

Serial transmission of data occurs over a single line using time-division methods. This use of a single line also offers the advantage of reducing the number of errors due to line noise.

For control of the transceiver via the computer only three lines are theoretically required: transmit data (TXD), receive data (RXD), and ground (GND). From a practical standpoint it is also necessary to incorporate some means of controlling when this data transfer will occur. We don't want the computer and transceiver sending information at the same time! This is controlled by the RTS and the CTS lines.

The IF-232C and the IF-10A/10B are used in conjunction to provide voltage conversion. RS-232C deals in voltages above and below TTL levels, and must be converted to prevent damage to the transceiver. This interface/conversion is handled by the IF-232C.

The actual command sequence would be similar to those described below:

For example, the radio is placed into the transmit mode whenever the character string "TX" is sent from the computer. The character string "TX" is called a command. It tells the transceiver to do something. There are approximately 25 to 30 different commands available for control of the transceiver.

These commands may be incorporated into a computer program written in BASIC or any other high level language

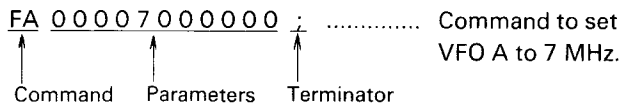


such as PASCAL, etc. Programming methods vary from computer to computer so please refer to the instruction manuals included with your terminal program, and computer.

### 5-3. Commands

The illustration below demonstrates that a command is composed of two alphabetical characters, various parameters, and the terminator to signal the end of the command.

#### Example:



#### 5-3-1. Command description

A command may consist of either lower or upper case alphabetical characters.

#### 5-3-2. Parameter description (Refer to the parameter list.)

Parameters are used to specify specific information necessary to implement the desired command. The exact number of parameters necessary for each command is predetermined. If a particular parameter is not applicable

to the transceiver you are controlling the parameter digits should be filled using any character except the terminator “;”.

For example the MC (Memory channel selector) command uses two parameters, 1 column to specify the memory bank number, and 2 columns to specify the memory channel number. To specify CH9 of memory bank number 1, the command would be:

“MC109;” ..... The memory bank number is not necessary when programming the TS-811A/811B/811E/711A/711E so the command could be as given above “MC109” or as:

“MC□09;” ..... In this case a blank has been used to fill the parameter block for the memory bank number.

The following are examples of bad commands:

“MC09;” ..... No memory bank specification (not enough parameters)

“MC19;” ..... Not enough digits in the memory channel parameter, i.e. CH9 should be given as “09”.

“MC□1□09;” ..... Unnecessary characters between parameters.

“MC109” ..... No terminator

## Parameter list

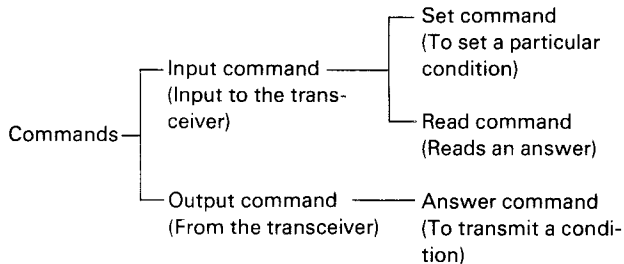
Format No.	Name	Number of columns	Format
1	SW	1	0 = OFF    1 = ON
2	MODE	1	1 = LSB    4 = FM 2 = USB    5 = AM 3 = CW    6 = FSK (AM, FSK: TS-940S only)
3	FUNCTION	1	0 = VFO A    2 = MEMORY 1 = VFO B    3 = COM (COM: TS-811A/811B/ 811E/711A/711E only)
4	FREQUENCY	11	Represented in Hz, using 11 columns <b>Example:</b> 00007200000 is 7.2 MHz ↑    ↙    ↘    ↘ 10 GHz   1 MHz   1 kHz   1 Hz
5	RIT FREQUENCY	5	The first column is "+" or "-", and the remaining four columns indicate the frequency in Hz. <b>Example:</b> +5320 is +5.32 kHz
6	STEP FREQUENCY	5	Represented in Hz, using 5 columns
7	MEMORY CHANNEL	2	Represented in two columns <b>Example:</b> 02 is CH2
8	MEMORY BANK	1	Represented using one column. (TS-940S only)
9	MEMORY CHANNEL SPLIT SPECIFICATION	1	0 = Receive    1 = Transmit (used with the TS-811A/ 811B/811E/711A/711E only)

Format No.	Name	Number of columns	Format
10	MEMORY LOCKOUT	1	0 = Not locked out 1 = Locked out (TS-811A/811B/811E/711A/ 711E only)
11	TX/RX	1	0 = Receive    1 = Transmit
12	PASSBAND	2	Represented using two columns, from 00 to 31. "00" is the normal or wide position and "31" is the narrowest bandwidth (TS-940S only)
13	OFFSET	1	0 = SIMPLEX    2 = - 1 = + (TS-811A/811B/811E/711A/ 711E only)
14	STONE FREQUENCY	2	Represented using two columns, from 01 to 37. This corresponds to the number displayed on the M.CH display during tone select operation. (TS-811A/811B/711A only)
15	CALL SIGN	6	Represented using 6 columns. <b>Example:</b> WD6DJY
16	MODEL NO.	3	Three column number specifying each set.

### 5-3-3. Terminator

To signal the end of a command it is necessary to use a special character. The character that has been selected for use is the semi-colon “;”. This special character must appear as the last character in a particular command string.

### 5-3-4. Types of commands



Commands can be classified as shown in the chart above. For example, with the FA (Frequency of VFO A) command.

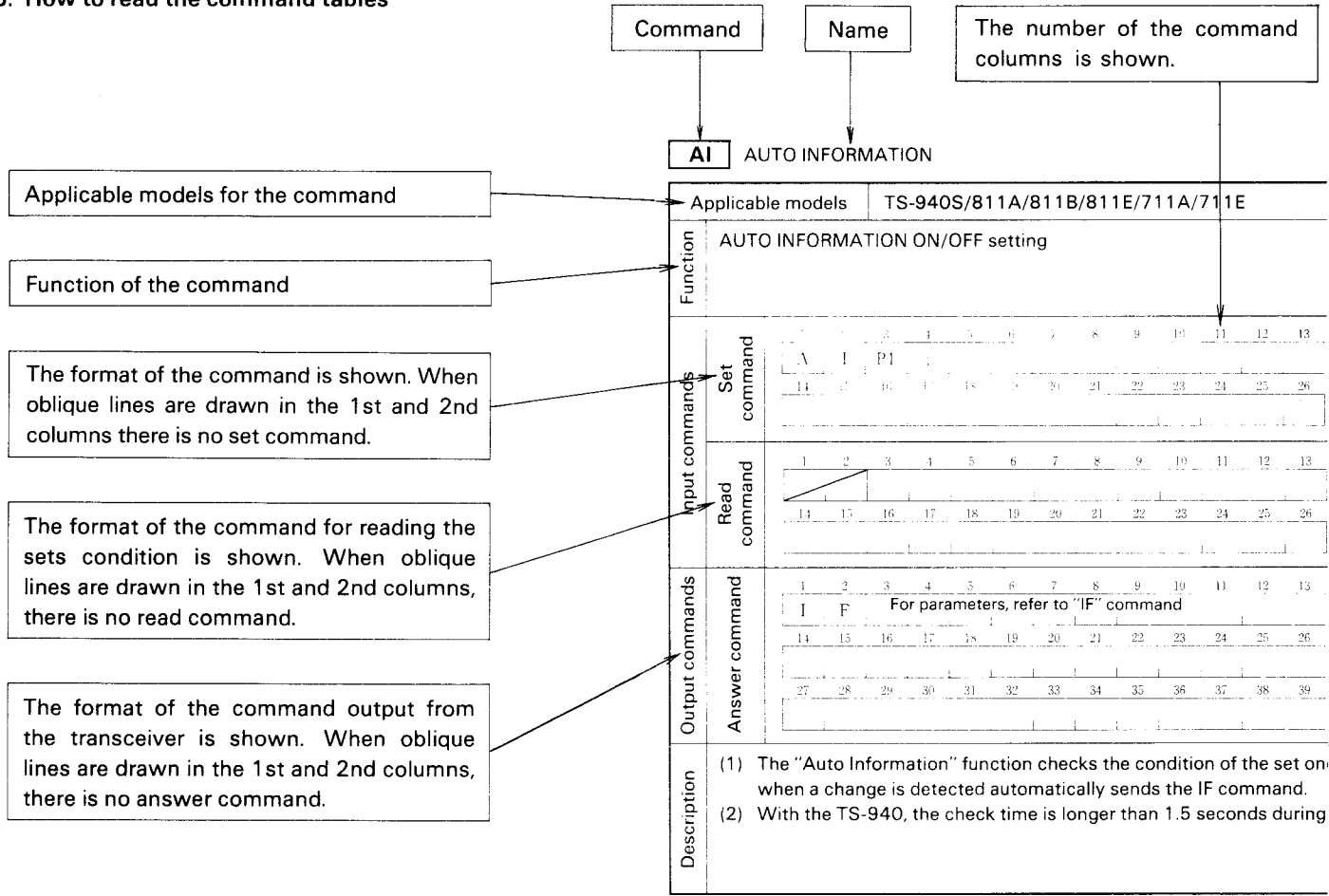
- To set the frequency at 7 MHz, the command sent from the computer to the transceiver is:  
“FA00007000000;” ..... (Set command)
- To read the frequency of VFO A, the command sent from the computer to the transceiver is:  
“FA;” ..... (Read command)
- When the read command, above, has been sent, the command returned to the computer is:  
“FA00007000000;” ..... (Answer command)

### 5-3-5. Error messages

In addition to the answer command, the transceiver will send one of the following error messages:

?;	<ul style="list-style-type: none"> <li>○ When the command syntax is incorrect.</li> <li>○ When the command was not executed due to the current status of the transceiver, even though the command syntax was correct.</li> </ul> <p><b>Note:</b> Occasionally this message may not appear due to microprocessor transients in the transceiver.</p>
E;	When a communication error occurs, such as an overrun error or framing error occurs during serial data transmissions.
O;	When the receive data is sent but processing cannot be completed.

### 5-3-6. How to read the command tables



Corresponds to the parameter of the command format.

Corresponds to the format No. in the parameter list. For the parameter formats, refer to the parameter list.

Parameter	Format	Parameter function
P1	1	AI ON/OFF
e approximately every 1.5 seconds and canning or TUNING dial rotation.		

Indicates the parameters function.

Usage of command, details of functions, and cautions are described.

### 5-3-7 Command Use Precautions

Model	Precaution
TS-940S/ 811A/811B/ 811E/711A/ 711E	The control characters (00 to IFH) when included in receive data are ignored.
TS-940S	Program execution may be delayed during rapid encoder rotation.
TS-940S	The MW (Memory Write) command cannot be executed during memory channel operation.

Model	Precaution
TS-940S	Receive data is not processed when directly entering the frequency from the keyboard or while the T-F SET key is depressed.
TS-811A	<b>Note:</b> When the microprocessor is reset, as when changing the lithium battery, re-enter M.CH1 first by pressing the M.IN switch, or improper operation may result when operating with computer.

### 5-3-8. Command list

Command	Function	Model					Page
		TS-940S	TS-811A TS-811B	TS-811E	TS-711A	TS-711E	
AI	AUTO INFORMATION	○	○	○	○	○	16
AT	ANTENNA TUNER	○					17
DI	DCS ID		○	○	○	○	18
DN/UP	DOWN/UP	○	○	○	○	○	19
DS	DCS		○	○	○	○	20

Command	Function	Model					Page
		TS-940S	TS-811A TS-811B	TS-811E	TS-711A	TS-711E	
FA/FB	FREQUENCY VFO A/FREQUENCY VFO B	○	○	○	○	○	21
FN	FUNCTION	○	○	○	○	○	22
HD	SCAN HOLD	○					23
ID	ID	○	○	○	○	○	24
IF	INFORMATION	○	○	○	○	○	25
LK	LOCK	○	○	○	○	○	26
LO	LOCAL	○					27
MC	MEMORY CHANNEL	○	○	○	○	○	28
MD	MODE	○	○	○	○	○	29
MR	MEMORY READ	○	○	○	○	○	30
MS	MEMORY SCAN	○					31
MW	MEMORY WRITE	○	○	○	○	○	32
OS	OFFSET		○	○	○	○	33
RC	RIT CLEAR	○	○	○	○	○	34
RD/RU	RIT DOWN/RIT UP	○	○	○	○	○	35
RT	RIT	○	○	○	○	○	36
RX/TX	RX/TX	○	○	○	○	○	37
SC	SCAN	○	○	○	○	○	38
SH/SL	SLOPE TUNE HIGH/SLOPE TUNE LOW	○					39
SP	SPLIT	○	○	○	○	○	40
ST	STEP		○	○	○	○	41
TN	TONE NUMBER		○		○		42
TO	TONE		○	○*	○	○*	43
VB	VBT	○					44
VR	VOICE RECALL	○	○	○	○	○	45
XT	XIT	○					46

\* This command is not applicable to "KENWOOD" versions of the TS-811E/711E.

**AI** AUTO INFORMATION

Applicable models		TS-940S/811A/811B/811E/711A/711E	Parameter	P1	Format	1	Parameter function	AI ON/OFF																																																																																		
Function	AUTO INFORMATION ON/OFF setting																																																																																									
Input commands	Set command	<table border="1"> <tr> <td>1</td><td>2</td><td>3</td><td>4</td><td>5</td><td>6</td><td>7</td><td>8</td><td>9</td><td>10</td><td>11</td><td>12</td><td>13</td> </tr> <tr> <td>A</td><td>I</td><td>P1</td><td>:</td><td></td><td></td><td></td><td></td><td></td><td></td><td></td><td></td><td></td> </tr> <tr> <td>14</td><td>15</td><td>16</td><td>17</td><td>18</td><td>19</td><td>20</td><td>21</td><td>22</td><td>23</td><td>24</td><td>25</td><td>26</td> </tr> <tr> <td></td><td></td><td></td><td></td><td></td><td></td><td></td><td></td><td></td><td></td><td></td><td></td><td></td> </tr> </table>							1	2	3	4	5	6	7	8	9	10	11	12	13	A	I	P1	:										14	15	16	17	18	19	20	21	22	23	24	25	26																																											
	1	2	3	4	5	6	7	8	9	10	11	12	13																																																																													
A	I	P1	:																																																																																							
14	15	16	17	18	19	20	21	22	23	24	25	26																																																																														
Read command	<table border="1"> <tr> <td>1</td><td>2</td><td>3</td><td>4</td><td>5</td><td>6</td><td>7</td><td>8</td><td>9</td><td>10</td><td>11</td><td>12</td><td>13</td> </tr> <tr> <td colspan="2">/</td><td></td><td></td><td></td><td></td><td></td><td></td><td></td><td></td><td></td><td></td><td></td> </tr> <tr> <td>14</td><td>15</td><td>16</td><td>17</td><td>18</td><td>19</td><td>20</td><td>21</td><td>22</td><td>23</td><td>24</td><td>25</td><td>26</td> </tr> <tr> <td></td><td></td><td></td><td></td><td></td><td></td><td></td><td></td><td></td><td></td><td></td><td></td><td></td> </tr> </table>							1	2	3	4	5	6	7	8	9	10	11	12	13	/													14	15	16	17	18	19	20	21	22	23	24	25	26																																												
1	2	3	4	5	6	7	8	9	10	11	12	13																																																																														
/																																																																																										
14	15	16	17	18	19	20	21	22	23	24	25	26																																																																														
Output commands	Answer command	<table border="1"> <tr> <td>1</td><td>2</td><td>3</td><td>4</td><td>5</td><td>6</td><td>7</td><td>8</td><td>9</td><td>10</td><td>11</td><td>12</td><td>13</td> </tr> <tr> <td>I</td><td>F</td><td colspan="11">For parameters, refer to "IF" command</td> </tr> <tr> <td>14</td><td>15</td><td>16</td><td>17</td><td>18</td><td>19</td><td>20</td><td>21</td><td>22</td><td>23</td><td>24</td><td>25</td><td>26</td> </tr> <tr> <td></td><td></td><td></td><td></td><td></td><td></td><td></td><td></td><td></td><td></td><td></td><td></td><td></td> </tr> <tr> <td>27</td><td>28</td><td>29</td><td>30</td><td>31</td><td>32</td><td>33</td><td>34</td><td>35</td><td>36</td><td>37</td><td>38</td><td>39</td> </tr> <tr> <td></td><td></td><td></td><td></td><td></td><td></td><td></td><td></td><td></td><td></td><td></td><td></td><td></td> </tr> </table>							1	2	3	4	5	6	7	8	9	10	11	12	13	I	F	For parameters, refer to "IF" command											14	15	16	17	18	19	20	21	22	23	24	25	26														27	28	29	30	31	32	33	34	35	36	37	38	39																	
1	2	3	4	5	6	7	8	9	10	11	12	13																																																																														
I	F	For parameters, refer to "IF" command																																																																																								
14	15	16	17	18	19	20	21	22	23	24	25	26																																																																														
27	28	29	30	31	32	33	34	35	36	37	38	39																																																																														
Description	<p>(1) The "Auto Information" function checks the condition of the set once approximately every 1.5 seconds and when a change is detected automatically sends the IF command.</p> <p>(2) With the TS-940, the check time is longer than 1.5 seconds during scanning or TUNING dial rotation.</p>																																																																																									



**AT** ANTENNA TUNER

Applicable model		TS-940S	Parameter	Format	Parameter function																																																																														
Function	Antenna tuner standby operation																																																																																		
Input commands	Set command	<table border="1"> <tr> <td>1</td><td>2</td><td>3</td><td>4</td><td>5</td><td>6</td><td>7</td><td>8</td><td>9</td><td>10</td><td>11</td><td>12</td><td>13</td> </tr> <tr> <td>A</td><td>T</td><td>1</td><td>:</td><td></td><td></td><td></td><td></td><td></td><td></td><td></td><td></td><td></td> </tr> <tr> <td>14</td><td>15</td><td>16</td><td>17</td><td>18</td><td>19</td><td>20</td><td>21</td><td>22</td><td>23</td><td>24</td><td>25</td><td>26</td> </tr> <tr> <td></td><td></td><td></td><td></td><td></td><td></td><td></td><td></td><td></td><td></td><td></td><td></td><td></td> </tr> </table>	1	2	3	4	5	6	7	8	9	10	11	12	13	A	T	1	:										14	15	16	17	18	19	20	21	22	23	24	25	26																																										
	1	2	3	4	5	6	7	8	9	10	11	12	13																																																																						
A	T	1	:																																																																																
14	15	16	17	18	19	20	21	22	23	24	25	26																																																																							
Read command	<table border="1"> <tr> <td>1</td><td>2</td><td>3</td><td>4</td><td>5</td><td>6</td><td>7</td><td>8</td><td>9</td><td>10</td><td>11</td><td>12</td><td>13</td> </tr> <tr> <td colspan="2">/</td><td></td><td></td><td></td><td></td><td></td><td></td><td></td><td></td><td></td><td></td><td></td> </tr> <tr> <td>14</td><td>15</td><td>16</td><td>17</td><td>18</td><td>19</td><td>20</td><td>21</td><td>22</td><td>23</td><td>24</td><td>25</td><td>26</td> </tr> <tr> <td></td><td></td><td></td><td></td><td></td><td></td><td></td><td></td><td></td><td></td><td></td><td></td><td></td> </tr> </table>	1	2	3	4	5	6	7	8	9	10	11	12	13	/													14	15	16	17	18	19	20	21	22	23	24	25	26																																											
1	2	3	4	5	6	7	8	9	10	11	12	13																																																																							
/																																																																																			
14	15	16	17	18	19	20	21	22	23	24	25	26																																																																							
Output commands	Answer command	<table border="1"> <tr> <td>1</td><td>2</td><td>3</td><td>4</td><td>5</td><td>6</td><td>7</td><td>8</td><td>9</td><td>10</td><td>11</td><td>12</td><td>13</td> </tr> <tr> <td colspan="2">/</td><td></td><td></td><td></td><td></td><td></td><td></td><td></td><td></td><td></td><td></td><td></td> </tr> <tr> <td>14</td><td>15</td><td>16</td><td>17</td><td>18</td><td>19</td><td>20</td><td>21</td><td>22</td><td>23</td><td>24</td><td>25</td><td>26</td> </tr> <tr> <td></td><td></td><td></td><td></td><td></td><td></td><td></td><td></td><td></td><td></td><td></td><td></td><td></td> </tr> <tr> <td>27</td><td>28</td><td>29</td><td>30</td><td>31</td><td>32</td><td>33</td><td>34</td><td>35</td><td>36</td><td>37</td><td>38</td><td>39</td> </tr> <tr> <td></td><td></td><td></td><td></td><td></td><td></td><td></td><td></td><td></td><td></td><td></td><td></td><td></td> </tr> </table>	1	2	3	4	5	6	7	8	9	10	11	12	13	/													14	15	16	17	18	19	20	21	22	23	24	25	26														27	28	29	30	31	32	33	34	35	36	37	38	39																
1	2	3	4	5	6	7	8	9	10	11	12	13																																																																							
/																																																																																			
14	15	16	17	18	19	20	21	22	23	24	25	26																																																																							
27	28	29	30	31	32	33	34	35	36	37	38	39																																																																							
Description																																																																																			

Applicable models		TS-811A/811B/811E/711A/711E											Parameter	Format	Parameter function																																																																														
Function	DCS call sign readout											P1	15	Call sign of your station																																																																															
												P2	15	Call sign of receiving station																																																																															
Input commands	Set command	<table border="1"> <tr><td>1</td><td>2</td><td>3</td><td>4</td><td>5</td><td>6</td><td>7</td><td>8</td><td>9</td><td>10</td><td>11</td><td>12</td><td>13</td></tr> <tr><td colspan="13">/</td></tr> <tr><td>14</td><td>15</td><td>16</td><td>17</td><td>18</td><td>19</td><td>20</td><td>21</td><td>22</td><td>23</td><td>24</td><td>25</td><td>26</td></tr> <tr><td colspan="13"> </td></tr> </table>											1	2	3	4	5	6	7	8	9	10	11	12	13	/													14	15	16	17	18	19	20	21	22	23	24	25	26																																										
	1	2	3	4	5	6	7	8	9	10	11	12	13																																																																																
/																																																																																													
14	15	16	17	18	19	20	21	22	23	24	25	26																																																																																	
Read command	<table border="1"> <tr><td>1</td><td>2</td><td>3</td><td>4</td><td>5</td><td>6</td><td>7</td><td>8</td><td>9</td><td>10</td><td>11</td><td>12</td><td>13</td></tr> <tr><td>D</td><td>I</td><td>;</td><td></td><td></td><td></td><td></td><td></td><td></td><td></td><td></td><td></td><td></td></tr> <tr><td>14</td><td>15</td><td>16</td><td>17</td><td>18</td><td>19</td><td>20</td><td>21</td><td>22</td><td>23</td><td>24</td><td>25</td><td>26</td></tr> <tr><td colspan="13"> </td></tr> </table>											1	2	3	4	5	6	7	8	9	10	11	12	13	D	I	;											14	15	16	17	18	19	20	21	22	23	24	25	26																																											
1	2	3	4	5	6	7	8	9	10	11	12	13																																																																																	
D	I	;																																																																																											
14	15	16	17	18	19	20	21	22	23	24	25	26																																																																																	
Output commands	Answer command	<table border="1"> <tr><td>1</td><td>2</td><td>3</td><td>4</td><td>5</td><td>6</td><td>7</td><td>8</td><td>9</td><td>10</td><td>11</td><td>12</td><td>13</td></tr> <tr><td>D</td><td>I</td><td></td><td></td><td>P1</td><td></td><td></td><td></td><td></td><td></td><td>P2</td><td></td><td></td></tr> <tr><td>14</td><td>15</td><td>16</td><td>17</td><td>18</td><td>19</td><td>20</td><td>21</td><td>22</td><td>23</td><td>24</td><td>25</td><td>26</td></tr> <tr><td></td><td></td><td>;</td><td></td><td></td><td></td><td></td><td></td><td></td><td></td><td></td><td></td><td></td></tr> <tr><td>27</td><td>28</td><td>29</td><td>30</td><td>31</td><td>32</td><td>33</td><td>34</td><td>35</td><td>36</td><td>37</td><td>38</td><td>39</td></tr> <tr><td colspan="13"> </td></tr> </table>											1	2	3	4	5	6	7	8	9	10	11	12	13	D	I			P1						P2			14	15	16	17	18	19	20	21	22	23	24	25	26			;											27	28	29	30	31	32	33	34	35	36	37	38	39																
1	2	3	4	5	6	7	8	9	10	11	12	13																																																																																	
D	I			P1						P2																																																																																			
14	15	16	17	18	19	20	21	22	23	24	25	26																																																																																	
		;																																																																																											
27	28	29	30	31	32	33	34	35	36	37	38	39																																																																																	
Description	The call sign of the receiving station should read out as soon as a signal is received. The analysis of incoming call signs is continuous. However the call sign may be incorrectly display due to noise.																																																																																												

Applicable models		TS-940S/811A/811B/811E/711A/711E	Parameter	Format	Parameter function
Function	Same function as microphone UP/DOWN switch				
Input commands	Set command				
	Read command				
Output commands	Answer command				
Description					

Applicable models		TS-811A/811B/811E/711A/711E											Parameter	Format	Parameter function																																																																																
Function	DCS system ON/OFF selection and readout												P1	1	DCS ON/OFF																																																																																
	Input commands	Set command	<table border="1" style="width: 100%; border-collapse: collapse;"> <tr> <td style="width: 2.3%;">1</td><td style="width: 2.3%;">2</td><td style="width: 2.3%;">3</td><td style="width: 2.3%;">4</td><td style="width: 2.3%;">5</td><td style="width: 2.3%;">6</td><td style="width: 2.3%;">7</td><td style="width: 2.3%;">8</td><td style="width: 2.3%;">9</td><td style="width: 2.3%;">10</td><td style="width: 2.3%;">11</td><td style="width: 2.3%;">12</td><td style="width: 2.3%;">13</td> </tr> <tr> <td>D</td><td>S</td><td>P1</td><td>;</td><td></td><td></td><td></td><td></td><td></td><td></td><td></td><td></td><td></td> </tr> <tr> <td>14</td><td>15</td><td>16</td><td>17</td><td>18</td><td>19</td><td>20</td><td>21</td><td>22</td><td>23</td><td>24</td><td>25</td><td>26</td> </tr> <tr> <td></td><td></td><td></td><td></td><td></td><td></td><td></td><td></td><td></td><td></td><td></td><td></td><td></td> </tr> </table>													1	2	3	4	5	6	7	8	9	10	11	12	13	D	S	P1	;										14	15	16	17	18	19	20	21	22	23	24	25	26																																									
			1	2	3	4	5	6	7	8	9	10	11	12	13																																																																																
	D	S	P1	;																																																																																											
14	15	16	17	18	19	20	21	22	23	24	25	26																																																																																			
Input commands	Read command	<table border="1" style="width: 100%; border-collapse: collapse;"> <tr> <td style="width: 2.3%;">1</td><td style="width: 2.3%;">2</td><td style="width: 2.3%;">3</td><td style="width: 2.3%;">4</td><td style="width: 2.3%;">5</td><td style="width: 2.3%;">6</td><td style="width: 2.3%;">7</td><td style="width: 2.3%;">8</td><td style="width: 2.3%;">9</td><td style="width: 2.3%;">10</td><td style="width: 2.3%;">11</td><td style="width: 2.3%;">12</td><td style="width: 2.3%;">13</td> </tr> <tr> <td>D</td><td>S</td><td>;</td><td></td><td></td><td></td><td></td><td></td><td></td><td></td><td></td><td></td><td></td> </tr> <tr> <td>14</td><td>15</td><td>16</td><td>17</td><td>18</td><td>19</td><td>20</td><td>21</td><td>22</td><td>23</td><td>24</td><td>25</td><td>26</td> </tr> <tr> <td></td><td></td><td></td><td></td><td></td><td></td><td></td><td></td><td></td><td></td><td></td><td></td><td></td> </tr> </table>													1	2	3	4	5	6	7	8	9	10	11	12	13	D	S	;											14	15	16	17	18	19	20	21	22	23	24	25	26																																										
		1	2	3	4	5	6	7	8	9	10	11	12	13																																																																																	
D	S	;																																																																																													
14	15	16	17	18	19	20	21	22	23	24	25	26																																																																																			
Output commands	Answer command	<table border="1" style="width: 100%; border-collapse: collapse;"> <tr> <td style="width: 2.3%;">1</td><td style="width: 2.3%;">2</td><td style="width: 2.3%;">3</td><td style="width: 2.3%;">4</td><td style="width: 2.3%;">5</td><td style="width: 2.3%;">6</td><td style="width: 2.3%;">7</td><td style="width: 2.3%;">8</td><td style="width: 2.3%;">9</td><td style="width: 2.3%;">10</td><td style="width: 2.3%;">11</td><td style="width: 2.3%;">12</td><td style="width: 2.3%;">13</td> </tr> <tr> <td>D</td><td>S</td><td>P1</td><td>;</td><td></td><td></td><td></td><td></td><td></td><td></td><td></td><td></td><td></td> </tr> <tr> <td>14</td><td>15</td><td>16</td><td>17</td><td>18</td><td>19</td><td>20</td><td>21</td><td>22</td><td>23</td><td>24</td><td>25</td><td>26</td> </tr> <tr> <td></td><td></td><td></td><td></td><td></td><td></td><td></td><td></td><td></td><td></td><td></td><td></td><td></td> </tr> <tr> <td>27</td><td>28</td><td>29</td><td>30</td><td>31</td><td>32</td><td>33</td><td>34</td><td>35</td><td>36</td><td>37</td><td>38</td><td>39</td> </tr> <tr> <td></td><td></td><td></td><td></td><td></td><td></td><td></td><td></td><td></td><td></td><td></td><td></td><td></td> </tr> </table>													1	2	3	4	5	6	7	8	9	10	11	12	13	D	S	P1	;										14	15	16	17	18	19	20	21	22	23	24	25	26														27	28	29	30	31	32	33	34	35	36	37	38	39																
		1	2	3	4	5	6	7	8	9	10	11	12	13																																																																																	
		D	S	P1	;																																																																																										
14	15	16	17	18	19	20	21	22	23	24	25	26																																																																																			
27	28	29	30	31	32	33	34	35	36	37	38	39																																																																																			
Description																																																																																															

**FA****FB**

FREQUENCY VFO A/FREQUENCY VFO B

Applicable models		TS-940S/811A/811B/811E/711A/711E	Parameter	Format	Parameter function																																																																																							
Function	VFO A and VFO B frequency selection and readout		P1	4	FREQUENCY																																																																																							
	Input commands	Set command <table border="1"> <tr> <td>1</td><td>2</td><td>3</td><td>4</td><td>5</td><td>6</td><td>7</td><td>8</td><td>9</td><td>10</td><td>11</td><td>12</td><td>13</td> </tr> <tr> <td colspan="2">F A</td> <td colspan="10">P1</td> </tr> <tr> <td colspan="2">F B</td> <td colspan="10"></td> </tr> <tr> <td>14</td><td>15</td><td>16</td><td>17</td><td>18</td><td>19</td><td>20</td><td>21</td><td>22</td><td>23</td><td>24</td><td>25</td><td>26</td> </tr> <tr> <td>:</td><td colspan="11"></td> </tr> </table>	1	2	3	4	5	6	7	8	9	10	11	12	13	F A		P1										F B												14	15	16	17	18	19	20	21	22	23	24	25	26	:																																							
		1	2	3	4	5	6	7	8	9	10	11	12	13																																																																														
F A		P1																																																																																										
F B																																																																																												
14	15	16	17	18	19	20	21	22	23	24	25	26																																																																																
:																																																																																												
Read command <table border="1"> <tr> <td>1</td><td>2</td><td>3</td><td>4</td><td>5</td><td>6</td><td>7</td><td>8</td><td>9</td><td>10</td><td>11</td><td>12</td><td>13</td> </tr> <tr> <td colspan="2">F A</td> <td>:</td><td colspan="10"></td> </tr> <tr> <td colspan="2">F B</td> <td colspan="10"></td> </tr> <tr> <td>14</td><td>15</td><td>16</td><td>17</td><td>18</td><td>19</td><td>20</td><td>21</td><td>22</td><td>23</td><td>24</td><td>25</td><td>26</td> </tr> <tr> <td colspan="13"></td> </tr> </table>	1	2	3	4	5	6	7	8	9	10	11	12	13	F A		:											F B												14	15	16	17	18	19	20	21	22	23	24	25	26																																									
1	2	3	4	5	6	7	8	9	10	11	12	13																																																																																
F A		:																																																																																										
F B																																																																																												
14	15	16	17	18	19	20	21	22	23	24	25	26																																																																																
Output commands	Answer command <table border="1"> <tr> <td>1</td><td>2</td><td>3</td><td>4</td><td>5</td><td>6</td><td>7</td><td>8</td><td>9</td><td>10</td><td>11</td><td>12</td><td>13</td> </tr> <tr> <td colspan="2">F A</td> <td colspan="10">P1</td> </tr> <tr> <td colspan="2">F B</td> <td colspan="10"></td> </tr> <tr> <td>14</td><td>15</td><td>16</td><td>17</td><td>18</td><td>19</td><td>20</td><td>21</td><td>22</td><td>23</td><td>24</td><td>25</td><td>26</td> </tr> <tr> <td>:</td><td colspan="11"></td> </tr> <tr> <td>27</td><td>28</td><td>29</td><td>30</td><td>31</td><td>32</td><td>33</td><td>34</td><td>35</td><td>36</td><td>37</td><td>38</td><td>39</td> </tr> <tr> <td colspan="13"></td> </tr> </table>	1	2	3	4	5	6	7	8	9	10	11	12	13	F A		P1										F B												14	15	16	17	18	19	20	21	22	23	24	25	26	:												27	28	29	30	31	32	33	34	35	36	37	38	39																
1	2	3	4	5	6	7	8	9	10	11	12	13																																																																																
F A		P1																																																																																										
F B																																																																																												
14	15	16	17	18	19	20	21	22	23	24	25	26																																																																																
:																																																																																												
27	28	29	30	31	32	33	34	35	36	37	38	39																																																																																
Description																																																																																												

**FN** FUNCTION

Applicable models		TS-940S/811A/811B/811E/711A/711E											Parameter	Format	Parameter function																																																																																
Function	VFO A and VFO B MEMORY COM setting (COM: TS-711/811 Only)												P1	3	FUNCTION																																																																																
	Input commands	Set command	<table border="1"> <tr> <td>1</td><td>2</td><td>3</td><td>4</td><td>5</td><td>6</td><td>7</td><td>8</td><td>9</td><td>10</td><td>11</td><td>12</td><td>13</td> </tr> <tr> <td>F</td><td>N</td><td>P1</td><td>;</td><td></td><td></td><td></td><td></td><td></td><td></td><td></td><td></td><td></td> </tr> <tr> <td>14</td><td>15</td><td>16</td><td>17</td><td>18</td><td>19</td><td>20</td><td>21</td><td>22</td><td>23</td><td>24</td><td>25</td><td>26</td> </tr> <tr> <td></td><td></td><td></td><td></td><td></td><td></td><td></td><td></td><td></td><td></td><td></td><td></td><td></td> </tr> </table>													1	2	3	4	5	6	7	8	9	10	11	12	13	F	N	P1	;										14	15	16	17	18	19	20	21	22	23	24	25	26																																									
			1	2	3	4	5	6	7	8	9	10	11	12	13																																																																																
F	N	P1	;																																																																																												
14	15	16	17	18	19	20	21	22	23	24	25	26																																																																																			
Input commands	Read command	<table border="1"> <tr> <td>1</td><td>2</td><td>3</td><td>4</td><td>5</td><td>6</td><td>7</td><td>8</td><td>9</td><td>10</td><td>11</td><td>12</td><td>13</td> </tr> <tr> <td></td><td></td><td></td><td></td><td></td><td></td><td></td><td></td><td></td><td></td><td></td><td></td><td></td> </tr> <tr> <td>14</td><td>15</td><td>16</td><td>17</td><td>18</td><td>19</td><td>20</td><td>21</td><td>22</td><td>23</td><td>24</td><td>25</td><td>26</td> </tr> <tr> <td></td><td></td><td></td><td></td><td></td><td></td><td></td><td></td><td></td><td></td><td></td><td></td><td></td> </tr> </table>													1	2	3	4	5	6	7	8	9	10	11	12	13														14	15	16	17	18	19	20	21	22	23	24	25	26																																										
		1	2	3	4	5	6	7	8	9	10	11	12	13																																																																																	
14	15	16	17	18	19	20	21	22	23	24	25	26																																																																																			
Output commands	Answer command	<table border="1"> <tr> <td>1</td><td>2</td><td>3</td><td>4</td><td>5</td><td>6</td><td>7</td><td>8</td><td>9</td><td>10</td><td>11</td><td>12</td><td>13</td> </tr> <tr> <td></td><td></td><td></td><td></td><td></td><td></td><td></td><td></td><td></td><td></td><td></td><td></td><td></td> </tr> <tr> <td>14</td><td>15</td><td>16</td><td>17</td><td>18</td><td>19</td><td>20</td><td>21</td><td>22</td><td>23</td><td>24</td><td>25</td><td>26</td> </tr> <tr> <td></td><td></td><td></td><td></td><td></td><td></td><td></td><td></td><td></td><td></td><td></td><td></td><td></td> </tr> <tr> <td>27</td><td>28</td><td>29</td><td>30</td><td>31</td><td>32</td><td>33</td><td>34</td><td>35</td><td>36</td><td>37</td><td>38</td><td>39</td> </tr> <tr> <td></td><td></td><td></td><td></td><td></td><td></td><td></td><td></td><td></td><td></td><td></td><td></td><td></td> </tr> </table>													1	2	3	4	5	6	7	8	9	10	11	12	13														14	15	16	17	18	19	20	21	22	23	24	25	26														27	28	29	30	31	32	33	34	35	36	37	38	39																
		1	2	3	4	5	6	7	8	9	10	11	12	13																																																																																	
14	15	16	17	18	19	20	21	22	23	24	25	26																																																																																			
27	28	29	30	31	32	33	34	35	36	37	38	39																																																																																			
Description																																																																																															

Applicable model		TS-940S											Parameter	Format	Parameter function																																																																											
Function	Temporary scan.											P1	15	SCAN HOLD ON/OFF																																																																												
	Input commands	Set command	<table border="1"> <tr> <td>1</td><td>2</td><td>3</td><td>4</td><td>5</td><td>6</td><td>7</td><td>8</td><td>9</td><td>10</td><td>11</td><td>12</td><td>13</td> </tr> <tr> <td>H</td><td>D</td><td>P1</td><td>;</td><td></td><td></td><td></td><td></td><td></td><td></td><td></td><td></td><td></td> </tr> <tr> <td>14</td><td>15</td><td>16</td><td>17</td><td>18</td><td>19</td><td>20</td><td>21</td><td>22</td><td>23</td><td>24</td><td>25</td><td>26</td> </tr> <tr> <td></td><td></td><td></td><td></td><td></td><td></td><td></td><td></td><td></td><td></td><td></td><td></td><td></td> </tr> </table>											1	2	3	4	5	6	7	8	9	10	11	12	13	H	D	P1	;										14	15	16	17	18	19	20	21	22	23	24	25	26																																						
			1	2	3	4	5	6	7	8	9	10	11	12	13																																																																											
H	D	P1	;																																																																																							
14	15	16	17	18	19	20	21	22	23	24	25	26																																																																														
Read command	<table border="1"> <tr> <td>1</td><td>2</td><td>3</td><td>4</td><td>5</td><td>6</td><td>7</td><td>8</td><td>9</td><td>10</td><td>11</td><td>12</td><td>13</td> </tr> <tr> <td>H</td><td>D</td><td>;</td><td></td><td></td><td></td><td></td><td></td><td></td><td></td><td></td><td></td><td></td> </tr> <tr> <td>14</td><td>15</td><td>16</td><td>17</td><td>18</td><td>19</td><td>20</td><td>21</td><td>22</td><td>23</td><td>24</td><td>25</td><td>26</td> </tr> <tr> <td></td><td></td><td></td><td></td><td></td><td></td><td></td><td></td><td></td><td></td><td></td><td></td><td></td> </tr> </table>											1	2	3	4	5	6	7	8	9	10	11	12	13	H	D	;											14	15	16	17	18	19	20	21	22	23	24	25	26																																								
	1	2	3	4	5	6	7	8	9	10	11	12	13																																																																													
H	D	;																																																																																								
14	15	16	17	18	19	20	21	22	23	24	25	26																																																																														
Output commands	Answer command	<table border="1"> <tr> <td>1</td><td>2</td><td>3</td><td>4</td><td>5</td><td>6</td><td>7</td><td>8</td><td>9</td><td>10</td><td>11</td><td>12</td><td>13</td> </tr> <tr> <td>H</td><td>D</td><td>P1</td><td>;</td><td></td><td></td><td></td><td></td><td></td><td></td><td></td><td></td><td></td> </tr> <tr> <td>14</td><td>15</td><td>16</td><td>17</td><td>18</td><td>19</td><td>20</td><td>21</td><td>22</td><td>23</td><td>24</td><td>25</td><td>26</td> </tr> <tr> <td></td><td></td><td></td><td></td><td></td><td></td><td></td><td></td><td></td><td></td><td></td><td></td><td></td> </tr> <tr> <td>27</td><td>28</td><td>29</td><td>30</td><td>31</td><td>32</td><td>33</td><td>34</td><td>35</td><td>36</td><td>37</td><td>38</td><td>39</td> </tr> <tr> <td></td><td></td><td></td><td></td><td></td><td></td><td></td><td></td><td></td><td></td><td></td><td></td><td></td> </tr> </table>											1	2	3	4	5	6	7	8	9	10	11	12	13	H	D	P1	;										14	15	16	17	18	19	20	21	22	23	24	25	26														27	28	29	30	31	32	33	34	35	36	37	38	39													
1		2	3	4	5	6	7	8	9	10	11	12	13																																																																													
H	D	P1	;																																																																																							
14	15	16	17	18	19	20	21	22	23	24	25	26																																																																														
27	28	29	30	31	32	33	34	35	36	37	38	39																																																																														
Description																																																																																										

Applicable models		TS-940S/811A/811B/811E/711A/711E		Parameter	Format	Parameter function
Function	Model No. readout for transceiver recognition.			P1	16	MODEL No. TS-711: 001 TS-811: 002 TS-940: 003
	Input commands	Set command				
		Read command				
Output commands	Answer command					
Description						



Applicable models		TS-940S/811A/811B/811E/711A/711E	Parameter	Format	Parameter function
Function	Display of transceivers current condition		P1	4	DISPLAY FREQUENCY
			P2	6	STEP FREQUENCY
			P3	5	RIT FREQUENCY
Input commands	Set command	1 2 3 4 5 6 7 8 9 10 11 12 13 14 15 16 17 18 19 20 21 22 23 24 25 26	P4	1	RIT ON/OFF
		P5	1	XIT ON/OFF	
		P6	8	MEMORY BANK	
		P7	7	MEMORY CHANNEL	
		P8	11	TX/RX	
	Read command	1 2 3 4 5 6 7 8 9 10 11 12 13 I F ; 14 15 16 17 18 19 20 21 22 23 24 25 26	P9	2	MODE
		P10	3	FUNCTION	
		P11	1	SCAN ON/OFF	
		P12	1	SPLIT ON/OFF	
		P13	1	TONE ON/OFF (TS-811A/811B/811E/ 711A/711E only)*	
Output commands	Answer command	1 2 3 4 5 6 7 8 9 10 11 12 13 I F P1 14 15 16 17 18 19 20 21 22 23 24 25 26 P2 P3 P4 P5 P6 27 28 29 30 31 32 33 34 35 36 37 38 39 P7 P8 P9 P10 P11 P12 P13 P14 P15 ;	P14	14	TONE FREQUENCY (TS- 811A/811B/711A only)
		P15	13	OFFSET(TS-811A/811B/ 811E/711A/711E only)	
Description	(1) When the frequency step of the TS-811A/811B/811E/711A/711E is changed, the step frequency of the IF command will hold the previous value until the frequency is changed.				
	(2) * This command is not applicable to "KENWOOD" versions of the TS-811E/711E.				

**LK** LOCK

Applicable models		TS-940S/811A/811B/811E/711A/711E	Parameter	P1	Format	1	Parameter function	LOCK ON/OFF																																																																															
Function	LOCK ON/OFF setting and display																																																																																						
	Input commands	Set command	<table border="1"> <tr> <td>1</td><td>2</td><td>3</td><td>4</td><td>5</td><td>6</td><td>7</td><td>8</td><td>9</td><td>10</td><td>11</td><td>12</td><td>13</td> </tr> <tr> <td>L</td><td>K</td><td>P1</td><td>:</td><td></td><td></td><td></td><td></td><td></td><td></td><td></td><td></td><td></td> </tr> <tr> <td>14</td><td>15</td><td>16</td><td>17</td><td>18</td><td>19</td><td>20</td><td>21</td><td>22</td><td>23</td><td>24</td><td>25</td><td>26</td> </tr> <tr> <td></td><td></td><td></td><td></td><td></td><td></td><td></td><td></td><td></td><td></td><td></td><td></td><td></td> </tr> </table>							1	2	3	4	5	6	7	8	9	10	11	12	13	L	K	P1	:										14	15	16	17	18	19	20	21	22	23	24	25	26																																							
		1	2	3	4	5	6	7	8	9	10	11	12	13																																																																									
L	K	P1	:																																																																																				
14	15	16	17	18	19	20	21	22	23	24	25	26																																																																											
Read command	<table border="1"> <tr> <td>1</td><td>2</td><td>3</td><td>4</td><td>5</td><td>6</td><td>7</td><td>8</td><td>9</td><td>10</td><td>11</td><td>12</td><td>13</td> </tr> <tr> <td>L</td><td>K</td><td>:</td><td></td><td></td><td></td><td></td><td></td><td></td><td></td><td></td><td></td><td></td> </tr> <tr> <td>14</td><td>15</td><td>16</td><td>17</td><td>18</td><td>19</td><td>20</td><td>21</td><td>22</td><td>23</td><td>24</td><td>25</td><td>26</td> </tr> <tr> <td></td><td></td><td></td><td></td><td></td><td></td><td></td><td></td><td></td><td></td><td></td><td></td><td></td> </tr> </table>							1	2	3	4	5	6	7	8	9	10	11	12	13	L	K	:											14	15	16	17	18	19	20	21	22	23	24	25	26																																									
1	2	3	4	5	6	7	8	9	10	11	12	13																																																																											
L	K	:																																																																																					
14	15	16	17	18	19	20	21	22	23	24	25	26																																																																											
Output commands	Answer command	<table border="1"> <tr> <td>1</td><td>2</td><td>3</td><td>4</td><td>5</td><td>6</td><td>7</td><td>8</td><td>9</td><td>10</td><td>11</td><td>12</td><td>13</td> </tr> <tr> <td>L</td><td>K</td><td>P1</td><td>:</td><td></td><td></td><td></td><td></td><td></td><td></td><td></td><td></td><td></td> </tr> <tr> <td>14</td><td>15</td><td>16</td><td>17</td><td>18</td><td>19</td><td>20</td><td>21</td><td>22</td><td>23</td><td>24</td><td>25</td><td>26</td> </tr> <tr> <td></td><td></td><td></td><td></td><td></td><td></td><td></td><td></td><td></td><td></td><td></td><td></td><td></td> </tr> <tr> <td>27</td><td>28</td><td>29</td><td>30</td><td>31</td><td>32</td><td>33</td><td>34</td><td>35</td><td>36</td><td>37</td><td>38</td><td>39</td> </tr> <tr> <td></td><td></td><td></td><td></td><td></td><td></td><td></td><td></td><td></td><td></td><td></td><td></td><td></td> </tr> </table>							1	2	3	4	5	6	7	8	9	10	11	12	13	L	K	P1	:										14	15	16	17	18	19	20	21	22	23	24	25	26														27	28	29	30	31	32	33	34	35	36	37	38	39														
1	2	3	4	5	6	7	8	9	10	11	12	13																																																																											
L	K	P1	:																																																																																				
14	15	16	17	18	19	20	21	22	23	24	25	26																																																																											
27	28	29	30	31	32	33	34	35	36	37	38	39																																																																											
Description																																																																																							

**LO** LOCAL

Applicable model		TS-940S	Parameter	Format	Parameter function
Function	When a personal computer is used to control VBT etc., the transceivers associated controls are disabled. This command releases control back to the transceivers controls.				
Input commands	Set command				
	Read command				
Output commands	Answer command				
Description	When the VB, SL, SH, MC or TX command is executed, the associated switches and controls will not function until the LO command is sent from the computer.				

**MC**

**MEMORY CHANNEL**

Applicable models		TS-940S/811A/811B/811E/711A/711E	Parameter		Parameter function																																																																											
Function	Memory channel setting		P1	8	MEMORY BANK																																																																											
			P2	7	MEMORY CHANNEL																																																																											
Input commands	Set command	<table border="1"> <tr> <td>1</td><td>2</td><td>3</td><td>4</td><td>5</td><td>6</td><td>7</td><td>8</td><td>9</td><td>10</td><td>11</td><td>12</td><td>13</td> </tr> <tr> <td>M</td><td>C</td><td>P1</td><td>P2</td><td>:</td><td></td><td></td><td></td><td></td><td></td><td></td><td></td><td></td> </tr> <tr> <td>14</td><td>15</td><td>16</td><td>17</td><td>18</td><td>19</td><td>20</td><td>21</td><td>22</td><td>23</td><td>24</td><td>25</td><td>26</td> </tr> <tr> <td></td><td></td><td></td><td></td><td></td><td></td><td></td><td></td><td></td><td></td><td></td><td></td><td></td> </tr> </table>	1	2	3	4	5	6	7	8	9	10	11	12	13	M	C	P1	P2	:									14	15	16	17	18	19	20	21	22	23	24	25	26																																							
	1	2	3	4	5	6	7	8	9	10	11	12	13																																																																			
M	C	P1	P2	:																																																																												
14	15	16	17	18	19	20	21	22	23	24	25	26																																																																				
Read command	<table border="1"> <tr> <td>1</td><td>2</td><td>3</td><td>4</td><td>5</td><td>6</td><td>7</td><td>8</td><td>9</td><td>10</td><td>11</td><td>12</td><td>13</td> </tr> <tr> <td></td><td></td><td></td><td></td><td></td><td></td><td></td><td></td><td></td><td></td><td></td><td></td><td></td> </tr> <tr> <td>14</td><td>15</td><td>16</td><td>17</td><td>18</td><td>19</td><td>20</td><td>21</td><td>22</td><td>23</td><td>24</td><td>25</td><td>26</td> </tr> <tr> <td></td><td></td><td></td><td></td><td></td><td></td><td></td><td></td><td></td><td></td><td></td><td></td><td></td> </tr> </table>	1	2	3	4	5	6	7	8	9	10	11	12	13														14	15	16	17	18	19	20	21	22	23	24	25	26																																								
1	2	3	4	5	6	7	8	9	10	11	12	13																																																																				
14	15	16	17	18	19	20	21	22	23	24	25	26																																																																				
Output commands	Answer command	<table border="1"> <tr> <td>1</td><td>2</td><td>3</td><td>4</td><td>5</td><td>6</td><td>7</td><td>8</td><td>9</td><td>10</td><td>11</td><td>12</td><td>13</td> </tr> <tr> <td></td><td></td><td></td><td></td><td></td><td></td><td></td><td></td><td></td><td></td><td></td><td></td><td></td> </tr> <tr> <td>14</td><td>15</td><td>16</td><td>17</td><td>18</td><td>19</td><td>20</td><td>21</td><td>22</td><td>23</td><td>24</td><td>25</td><td>26</td> </tr> <tr> <td></td><td></td><td></td><td></td><td></td><td></td><td></td><td></td><td></td><td></td><td></td><td></td><td></td> </tr> <tr> <td>27</td><td>28</td><td>29</td><td>30</td><td>31</td><td>32</td><td>33</td><td>34</td><td>35</td><td>36</td><td>37</td><td>38</td><td>39</td> </tr> <tr> <td></td><td></td><td></td><td></td><td></td><td></td><td></td><td></td><td></td><td></td><td></td><td></td><td></td> </tr> </table>	1	2	3	4	5	6	7	8	9	10	11	12	13														14	15	16	17	18	19	20	21	22	23	24	25	26														27	28	29	30	31	32	33	34	35	36	37	38	39													
	1	2	3	4	5	6	7	8	9	10	11	12	13																																																																			
14	15	16	17	18	19	20	21	22	23	24	25	26																																																																				
27	28	29	30	31	32	33	34	35	36	37	38	39																																																																				
Description	With the TS-940, this command will disable the MEMORY BANK switch associated top cover switch.																																																																															

Applicable models		TS-940S/811A/811B/811E/711A/711E											Parameter	Format	Parameter function			
Function	Mode setting											P1	2	MODE				
	Input commands	Set command	1	2	3	4	5	6	7	8	9	10	11	12	13			
M			D	P1	:													
			14	15	16	17	18	19	20	21	22	23	24	25	26			
Input commands	Read command	1	2	3	4	5	6	7	8	9	10	11	12	13				
			14	15	16	17	18	19	20	21	22	23	24	25	26			
Output commands	Answer command	1	2	3	4	5	6	7	8	9	10	11	12	13				
			14	15	16	17	18	19	20	21	22	23	24	25	26			
			27	28	29	30	31	32	33	34	35	36	37	38	39			
Description																		

**MR** MEMORY READ

Applicable models		TS-940S/811A/811B/811E/711A/711E	Parameter	Format	Parameter function																																																																														
Function	Memory display		P1	9	SPLIT SPECIFICAITON																																																																														
			P2	8	MEMORY BANK																																																																														
			P3	7	MEMORY CHANNEL																																																																														
Input commands	Set command	<table border="1"> <tr><td>1</td><td>2</td><td>3</td><td>4</td><td>5</td><td>6</td><td>7</td><td>8</td><td>9</td><td>10</td><td>11</td><td>12</td><td>13</td></tr> <tr><td colspan="3">/</td><td></td><td></td><td></td><td></td><td></td><td></td><td></td><td></td><td></td><td></td></tr> <tr><td>14</td><td>15</td><td>16</td><td>17</td><td>18</td><td>19</td><td>20</td><td>21</td><td>22</td><td>23</td><td>24</td><td>25</td><td>26</td></tr> <tr><td></td><td></td><td></td><td></td><td></td><td></td><td></td><td></td><td></td><td></td><td></td><td></td><td></td></tr> </table>	1	2	3	4	5	6	7	8	9	10	11	12	13	/													14	15	16	17	18	19	20	21	22	23	24	25	26														P4	4	FREQUENCY																										
	1	2	3	4	5	6	7	8	9	10	11	12	13																																																																						
/																																																																																			
14	15	16	17	18	19	20	21	22	23	24	25	26																																																																							
Read command	<table border="1"> <tr><td>1</td><td>2</td><td>3</td><td>4</td><td>5</td><td>6</td><td>7</td><td>8</td><td>9</td><td>10</td><td>11</td><td>12</td><td>13</td></tr> <tr><td>M</td><td>R</td><td>P1</td><td>P2</td><td>P3</td><td></td><td>:</td><td></td><td></td><td></td><td></td><td></td><td></td></tr> <tr><td>14</td><td>15</td><td>16</td><td>17</td><td>18</td><td>19</td><td>20</td><td>21</td><td>22</td><td>23</td><td>24</td><td>25</td><td>26</td></tr> <tr><td></td><td></td><td></td><td></td><td></td><td></td><td></td><td></td><td></td><td></td><td></td><td></td><td></td></tr> </table>	1	2	3	4	5	6	7	8	9	10	11	12	13	M	R	P1	P2	P3		:							14	15	16	17	18	19	20	21	22	23	24	25	26														P5	2	MODE																											
1	2	3	4	5	6	7	8	9	10	11	12	13																																																																							
M	R	P1	P2	P3		:																																																																													
14	15	16	17	18	19	20	21	22	23	24	25	26																																																																							
Output commands	Answer command	<table border="1"> <tr><td>1</td><td>2</td><td>3</td><td>4</td><td>5</td><td>6</td><td>7</td><td>8</td><td>9</td><td>10</td><td>11</td><td>12</td><td>13</td></tr> <tr><td>M</td><td>R</td><td>P1</td><td>P2</td><td>P3</td><td></td><td></td><td></td><td></td><td>P4</td><td></td><td></td><td></td></tr> <tr><td>14</td><td>15</td><td>16</td><td>17</td><td>18</td><td>19</td><td>20</td><td>21</td><td>22</td><td>23</td><td>24</td><td>25</td><td>26</td></tr> <tr><td></td><td></td><td></td><td></td><td></td><td></td><td></td><td></td><td></td><td></td><td></td><td></td><td></td></tr> <tr><td>27</td><td>28</td><td>29</td><td>30</td><td>31</td><td>32</td><td>33</td><td>34</td><td>35</td><td>36</td><td>37</td><td>38</td><td>39</td></tr> <tr><td></td><td></td><td></td><td></td><td></td><td></td><td></td><td></td><td></td><td></td><td></td><td></td><td></td></tr> </table>	1	2	3	4	5	6	7	8	9	10	11	12	13	M	R	P1	P2	P3					P4				14	15	16	17	18	19	20	21	22	23	24	25	26														27	28	29	30	31	32	33	34	35	36	37	38	39														P6	10	MEMORY LOCKOUT (TS-811A/811B/811E/ 711A/711E only)
		1	2	3	4	5	6	7	8	9	10	11	12	13																																																																					
		M	R	P1	P2	P3					P4																																																																								
14	15	16	17	18	19	20	21	22	23	24	25	26																																																																							
27	28	29	30	31	32	33	34	35	36	37	38	39																																																																							
			P7	1	TONE ON/OFF (TS-811A/811B/811E/ 711A/711E only)*																																																																														
			P8	14	TONE FREQUENCY (TS-811A/811B/711A only)																																																																														
			P9	13	OFFSET (TS-811A/811B/ 811E/711A/711E only)																																																																														
Description	(1) All parameters are set to OFF when the memory channel is vacant.																																																																																		
	(2) * This command is not applicable to "KENWOOD" versions of the TS-811E/711E.																																																																																		

**MS** MEMORY SCAN

Applicable model		TS-940S											Parameter	Format	Parameter function																																																																											
Function	Memory scan ON/OFF and display												P1	1	MEMORY SCAN ON/OFF																																																																											
	Input commands	Set command	<table border="1"> <tr> <td>1</td><td>2</td><td>3</td><td>4</td><td>5</td><td>6</td><td>7</td><td>8</td><td>9</td><td>10</td><td>11</td><td>12</td><td>13</td> </tr> <tr> <td>M</td><td>S</td><td>P1</td><td>:</td><td></td><td></td><td></td><td></td><td></td><td></td><td></td><td></td><td></td> </tr> <tr> <td>14</td><td>15</td><td>16</td><td>17</td><td>18</td><td>19</td><td>20</td><td>21</td><td>22</td><td>23</td><td>24</td><td>25</td><td>26</td> </tr> <tr> <td></td><td></td><td></td><td></td><td></td><td></td><td></td><td></td><td></td><td></td><td></td><td></td><td></td> </tr> </table>											1	2	3	4	5	6	7	8	9	10	11	12	13	M	S	P1	:										14	15	16	17	18	19	20	21	22	23	24	25	26																																						
		1	2	3	4	5	6	7	8	9	10	11	12	13																																																																												
M	S	P1	:																																																																																							
14	15	16	17	18	19	20	21	22	23	24	25	26																																																																														
Read command	<table border="1"> <tr> <td>1</td><td>2</td><td>3</td><td>4</td><td>5</td><td>6</td><td>7</td><td>8</td><td>9</td><td>10</td><td>11</td><td>12</td><td>13</td> </tr> <tr> <td>M</td><td>S</td><td>:</td><td></td><td></td><td></td><td></td><td></td><td></td><td></td><td></td><td></td><td></td> </tr> <tr> <td>14</td><td>15</td><td>16</td><td>17</td><td>18</td><td>19</td><td>20</td><td>21</td><td>22</td><td>23</td><td>24</td><td>25</td><td>26</td> </tr> <tr> <td></td><td></td><td></td><td></td><td></td><td></td><td></td><td></td><td></td><td></td><td></td><td></td><td></td> </tr> </table>											1	2	3	4	5	6	7	8	9	10	11	12	13	M	S	:											14	15	16	17	18	19	20	21	22	23	24	25	26																																								
1	2	3	4	5	6	7	8	9	10	11	12	13																																																																														
M	S	:																																																																																								
14	15	16	17	18	19	20	21	22	23	24	25	26																																																																														
Output commands	Answer command	<table border="1"> <tr> <td>1</td><td>2</td><td>3</td><td>4</td><td>5</td><td>6</td><td>7</td><td>8</td><td>9</td><td>10</td><td>11</td><td>12</td><td>13</td> </tr> <tr> <td>M</td><td>S</td><td>P1</td><td>:</td><td></td><td></td><td></td><td></td><td></td><td></td><td></td><td></td><td></td> </tr> <tr> <td>14</td><td>15</td><td>16</td><td>17</td><td>18</td><td>19</td><td>20</td><td>21</td><td>22</td><td>23</td><td>24</td><td>25</td><td>26</td> </tr> <tr> <td></td><td></td><td></td><td></td><td></td><td></td><td></td><td></td><td></td><td></td><td></td><td></td><td></td> </tr> <tr> <td>27</td><td>28</td><td>29</td><td>30</td><td>31</td><td>32</td><td>33</td><td>34</td><td>35</td><td>36</td><td>37</td><td>38</td><td>39</td> </tr> <tr> <td></td><td></td><td></td><td></td><td></td><td></td><td></td><td></td><td></td><td></td><td></td><td></td><td></td> </tr> </table>											1	2	3	4	5	6	7	8	9	10	11	12	13	M	S	P1	:										14	15	16	17	18	19	20	21	22	23	24	25	26														27	28	29	30	31	32	33	34	35	36	37	38	39													
1	2	3	4	5	6	7	8	9	10	11	12	13																																																																														
M	S	P1	:																																																																																							
14	15	16	17	18	19	20	21	22	23	24	25	26																																																																														
27	28	29	30	31	32	33	34	35	36	37	38	39																																																																														
Description																																																																																										

**MW** MEMORY WRITE

Applicable models		TS-940S/811A/811B/811E/711A/711E											Parameter	Format	Parameter function	
Function	Memory entry											P1	9	SPLIT SPECIFICATION		
												P2	8	MEMORY BANK		
Input commands	Set command												P3	7	MEMORY CHANNEL	
													P4	4	FREQUENCY	
	Read command												P5	2	MODE	
													P6	9	MEMORY LOCKOUT (TS-811A/811B/811E/ 711A/711E only)	
	Output commands	Answer command												P7	1	TONE ON/OFF (TS-811A/811B/811E/ 711A/711E only) *
														P8	14	TONE FREQUENCY (TS-811A/811B/711A only)
											P9	13	OFF SET (TS-811A/811B/811E/ 711A/711E only)			
Description	<p>(1) The MW command is valid when all parameters have be correctly entered.</p> <p>(2) When all effective frequency columns are "0", the memory is set to an open channel.</p> <p>(3) When the split channe of the TS-811A/811B/811E/711A/711E is open, the transceiver will be set for the same transmit and receive frequencies, i.e. simplex.</p> <p>(4) * This command is not applicable to "KENWOOD" versions of the TS-811E/711E.</p>															



**OS**    OFFSET

Applicable models		TS-811A/811B/811E/711A/711E	Parameter	P1	Format	13	Parameter function	OFFSET
Function	OFFSET setting							
Input commands	Set command							
	Read command							
Output commands	Answer command							
Description								

Applicable models		TS-940S/811A/811B/811E/711A/711E	Parameter	Format	Parameter function
Function	RIT frequency clearance				
Input commands	Set command				
	Read command				
Output commands	Answer command				
Description					

**RD****RU**

RIT DOWN/RIT UP

Applicable models		TS-940S/811A/811B/811E/711A/711E											Parameter	Format	Parameter function																																																																																	
Function	RIT frequency UP/DOWN																																																																																															
Input commands	Set command	<table border="1"> <tr> <td>1</td><td>2</td><td>3</td><td>4</td><td>5</td><td>6</td><td>7</td><td>8</td><td>9</td><td>10</td><td>11</td><td>12</td><td>13</td> </tr> <tr> <td>R</td><td>D</td><td>:</td><td></td><td></td><td></td><td></td><td></td><td></td><td></td><td></td><td></td><td></td> </tr> <tr> <td>14</td><td>15</td><td>16</td><td>17</td><td>18</td><td>19</td><td>20</td><td>21</td><td>22</td><td>23</td><td>24</td><td>25</td><td>26</td> </tr> <tr> <td></td><td></td><td></td><td></td><td></td><td></td><td></td><td></td><td></td><td></td><td></td><td></td><td></td> </tr> </table>														1	2	3	4	5	6	7	8	9	10	11	12	13	R	D	:											14	15	16	17	18	19	20	21	22	23	24	25	26																																										
	1	2	3	4	5	6	7	8	9	10	11	12	13																																																																																			
R	D	:																																																																																														
14	15	16	17	18	19	20	21	22	23	24	25	26																																																																																				
Read command	<table border="1"> <tr> <td>1</td><td>2</td><td>3</td><td>4</td><td>5</td><td>6</td><td>7</td><td>8</td><td>9</td><td>10</td><td>11</td><td>12</td><td>13</td> </tr> <tr> <td colspan="2">/</td><td></td><td></td><td></td><td></td><td></td><td></td><td></td><td></td><td></td><td></td><td></td> </tr> <tr> <td>14</td><td>15</td><td>16</td><td>17</td><td>18</td><td>19</td><td>20</td><td>21</td><td>22</td><td>23</td><td>24</td><td>25</td><td>26</td> </tr> <tr> <td></td><td></td><td></td><td></td><td></td><td></td><td></td><td></td><td></td><td></td><td></td><td></td><td></td> </tr> </table>														1	2	3	4	5	6	7	8	9	10	11	12	13	/													14	15	16	17	18	19	20	21	22	23	24	25	26																																											
1	2	3	4	5	6	7	8	9	10	11	12	13																																																																																				
/																																																																																																
14	15	16	17	18	19	20	21	22	23	24	25	26																																																																																				
Output commands	Answer command	<table border="1"> <tr> <td>1</td><td>2</td><td>3</td><td>4</td><td>5</td><td>6</td><td>7</td><td>8</td><td>9</td><td>10</td><td>11</td><td>12</td><td>13</td> </tr> <tr> <td colspan="2">/</td><td></td><td></td><td></td><td></td><td></td><td></td><td></td><td></td><td></td><td></td><td></td> </tr> <tr> <td>14</td><td>15</td><td>16</td><td>17</td><td>18</td><td>19</td><td>20</td><td>21</td><td>22</td><td>23</td><td>24</td><td>25</td><td>26</td> </tr> <tr> <td></td><td></td><td></td><td></td><td></td><td></td><td></td><td></td><td></td><td></td><td></td><td></td><td></td> </tr> <tr> <td>27</td><td>28</td><td>29</td><td>30</td><td>31</td><td>32</td><td>33</td><td>34</td><td>35</td><td>36</td><td>37</td><td>38</td><td>39</td> </tr> <tr> <td></td><td></td><td></td><td></td><td></td><td></td><td></td><td></td><td></td><td></td><td></td><td></td><td></td> </tr> </table>														1	2	3	4	5	6	7	8	9	10	11	12	13	/													14	15	16	17	18	19	20	21	22	23	24	25	26														27	28	29	30	31	32	33	34	35	36	37	38	39																
1	2	3	4	5	6	7	8	9	10	11	12	13																																																																																				
/																																																																																																
14	15	16	17	18	19	20	21	22	23	24	25	26																																																																																				
27	28	29	30	31	32	33	34	35	36	37	38	39																																																																																				
Description																																																																																																

Applicable models		TS-940S/811A/811B/811E/711A/711E											Parameter	Format	Parameter function																																																																														
Function	RIT ON/OFF setting											P1	1	RIT ON/OFF																																																																															
	Input commands	Set command	<table border="1"> <tr> <td>1</td><td>2</td><td>3</td><td>4</td><td>5</td><td>6</td><td>7</td><td>8</td><td>9</td><td>10</td><td>11</td><td>12</td><td>13</td> </tr> <tr> <td>R</td><td>T</td><td>P1</td><td>:</td><td></td><td></td><td></td><td></td><td></td><td></td><td></td><td></td><td></td> </tr> <tr> <td>14</td><td>15</td><td>16</td><td>17</td><td>18</td><td>19</td><td>20</td><td>21</td><td>22</td><td>23</td><td>24</td><td>25</td><td>26</td> </tr> <tr> <td></td><td></td><td></td><td></td><td></td><td></td><td></td><td></td><td></td><td></td><td></td><td></td><td></td> </tr> </table>											1	2	3	4	5	6	7	8	9	10	11	12	13	R	T	P1	:										14	15	16	17	18	19	20	21	22	23	24	25	26																																									
1		2	3	4	5	6	7	8	9	10	11	12	13																																																																																
R	T	P1	:																																																																																										
14	15	16	17	18	19	20	21	22	23	24	25	26																																																																																	
	Read command	<table border="1"> <tr> <td>1</td><td>2</td><td>3</td><td>4</td><td>5</td><td>6</td><td>7</td><td>8</td><td>9</td><td>10</td><td>11</td><td>12</td><td>13</td> </tr> <tr> <td colspan="3" style="text-align: center;">/</td><td></td><td></td><td></td><td></td><td></td><td></td><td></td><td></td><td></td><td></td> </tr> <tr> <td>14</td><td>15</td><td>16</td><td>17</td><td>18</td><td>19</td><td>20</td><td>21</td><td>22</td><td>23</td><td>24</td><td>25</td><td>26</td> </tr> <tr> <td></td><td></td><td></td><td></td><td></td><td></td><td></td><td></td><td></td><td></td><td></td><td></td><td></td> </tr> </table>											1	2	3	4	5	6	7	8	9	10	11	12	13	/													14	15	16	17	18	19	20	21	22	23	24	25	26																																										
1	2	3	4	5	6	7	8	9	10	11	12	13																																																																																	
/																																																																																													
14	15	16	17	18	19	20	21	22	23	24	25	26																																																																																	
Output commands	Answer command	<table border="1"> <tr> <td>1</td><td>2</td><td>3</td><td>4</td><td>5</td><td>6</td><td>7</td><td>8</td><td>9</td><td>10</td><td>11</td><td>12</td><td>13</td> </tr> <tr> <td colspan="3" style="text-align: center;">/</td><td></td><td></td><td></td><td></td><td></td><td></td><td></td><td></td><td></td><td></td> </tr> <tr> <td>14</td><td>15</td><td>16</td><td>17</td><td>18</td><td>19</td><td>20</td><td>21</td><td>22</td><td>23</td><td>24</td><td>25</td><td>26</td> </tr> <tr> <td></td><td></td><td></td><td></td><td></td><td></td><td></td><td></td><td></td><td></td><td></td><td></td><td></td> </tr> <tr> <td>27</td><td>28</td><td>29</td><td>30</td><td>31</td><td>32</td><td>33</td><td>34</td><td>35</td><td>36</td><td>37</td><td>38</td><td>39</td> </tr> <tr> <td></td><td></td><td></td><td></td><td></td><td></td><td></td><td></td><td></td><td></td><td></td><td></td><td></td> </tr> </table>											1	2	3	4	5	6	7	8	9	10	11	12	13	/													14	15	16	17	18	19	20	21	22	23	24	25	26														27	28	29	30	31	32	33	34	35	36	37	38	39																
1	2	3	4	5	6	7	8	9	10	11	12	13																																																																																	
/																																																																																													
14	15	16	17	18	19	20	21	22	23	24	25	26																																																																																	
27	28	29	30	31	32	33	34	35	36	37	38	39																																																																																	
Description																																																																																													

**RX****TX**

RX/TX

Applicable models		TS-940S/811A/811B/811E/711A/711E	Parameter	Format	Parameter function
Function	RX: For receive operation TX: For transmit operation				
Input commands	Set command				
	Read command				
Output commands	Answer command				
Description					

Applicable models		TS-940S/811A/811B/811E/711A/711E											Parameter	Format	Parameter function																																																																																
Function	Scan ON/OFF setting											P1	1	SCAN ON/OFF																																																																																	
	Input commands	Set command	<table border="1"> <tr> <td>1</td><td>2</td><td>3</td><td>4</td><td>5</td><td>6</td><td>7</td><td>8</td><td>9</td><td>10</td><td>11</td><td>12</td><td>13</td> </tr> <tr> <td>S</td><td>C</td><td>P1</td><td>:</td><td></td><td></td><td></td><td></td><td></td><td></td><td></td><td></td><td></td><td></td> </tr> <tr> <td>14</td><td>15</td><td>16</td><td>17</td><td>18</td><td>19</td><td>20</td><td>21</td><td>22</td><td>23</td><td>24</td><td>25</td><td>26</td> </tr> <tr> <td></td><td></td><td></td><td></td><td></td><td></td><td></td><td></td><td></td><td></td><td></td><td></td><td></td><td></td> </tr> </table>													1	2	3	4	5	6	7	8	9	10	11	12	13	S	C	P1	:											14	15	16	17	18	19	20	21	22	23	24	25	26																																								
			1	2	3	4	5	6	7	8	9	10	11	12	13																																																																																
S	C	P1	:																																																																																												
14	15	16	17	18	19	20	21	22	23	24	25	26																																																																																			
Read command	<table border="1"> <tr> <td>1</td><td>2</td><td>3</td><td>4</td><td>5</td><td>6</td><td>7</td><td>8</td><td>9</td><td>10</td><td>11</td><td>12</td><td>13</td> </tr> <tr> <td colspan="2">/</td><td></td><td></td><td></td><td></td><td></td><td></td><td></td><td></td><td></td><td></td><td></td><td></td> </tr> <tr> <td>14</td><td>15</td><td>16</td><td>17</td><td>18</td><td>19</td><td>20</td><td>21</td><td>22</td><td>23</td><td>24</td><td>25</td><td>26</td> </tr> <tr> <td></td><td></td><td></td><td></td><td></td><td></td><td></td><td></td><td></td><td></td><td></td><td></td><td></td><td></td> </tr> </table>													1	2	3	4	5	6	7	8	9	10	11	12	13	/														14	15	16	17	18	19	20	21	22	23	24	25	26																																										
	1	2	3	4	5	6	7	8	9	10	11	12	13																																																																																		
/																																																																																															
14	15	16	17	18	19	20	21	22	23	24	25	26																																																																																			
Output commands	Answer command	<table border="1"> <tr> <td>1</td><td>2</td><td>3</td><td>4</td><td>5</td><td>6</td><td>7</td><td>8</td><td>9</td><td>10</td><td>11</td><td>12</td><td>13</td> </tr> <tr> <td colspan="2">/</td><td></td><td></td><td></td><td></td><td></td><td></td><td></td><td></td><td></td><td></td><td></td><td></td> </tr> <tr> <td>14</td><td>15</td><td>16</td><td>17</td><td>18</td><td>19</td><td>20</td><td>21</td><td>22</td><td>23</td><td>24</td><td>25</td><td>26</td> </tr> <tr> <td></td><td></td><td></td><td></td><td></td><td></td><td></td><td></td><td></td><td></td><td></td><td></td><td></td><td></td> </tr> <tr> <td>27</td><td>28</td><td>29</td><td>30</td><td>31</td><td>32</td><td>33</td><td>34</td><td>35</td><td>36</td><td>37</td><td>38</td><td>39</td> </tr> <tr> <td></td><td></td><td></td><td></td><td></td><td></td><td></td><td></td><td></td><td></td><td></td><td></td><td></td><td></td> </tr> </table>													1	2	3	4	5	6	7	8	9	10	11	12	13	/														14	15	16	17	18	19	20	21	22	23	24	25	26															27	28	29	30	31	32	33	34	35	36	37	38	39														
1	2	3	4	5	6	7	8	9	10	11	12	13																																																																																			
/																																																																																															
14	15	16	17	18	19	20	21	22	23	24	25	26																																																																																			
27	28	29	30	31	32	33	34	35	36	37	38	39																																																																																			
Description																																																																																															

**SH****SL**

SLOPE TUNE HIGH/SLOPE TUNE LOW

Applicable model		TS-940S	Parameter	P1	Format	12	Parameter function	PASSBAND																																																																																															
Function	Slope tune band setting and readout.																																																																																																						
Input commands	Set command	<table border="1"> <tr> <td>1</td><td>2</td><td>3</td><td>4</td><td>5</td><td>6</td><td>7</td><td>8</td><td>9</td><td>10</td><td>11</td><td>12</td><td>13</td> </tr> <tr> <td>S</td><td>H</td><td></td><td></td><td>:</td><td></td><td></td><td></td><td></td><td></td><td></td><td></td><td></td> </tr> <tr> <td>L</td><td></td><td></td><td></td><td></td><td></td><td></td><td></td><td></td><td></td><td></td><td></td><td></td> </tr> <tr> <td>14</td><td>15</td><td>16</td><td>17</td><td>18</td><td>19</td><td>20</td><td>21</td><td>22</td><td>23</td><td>24</td><td>25</td><td>26</td> </tr> <tr> <td></td><td></td><td></td><td></td><td></td><td></td><td></td><td></td><td></td><td></td><td></td><td></td><td></td> </tr> </table>							1	2	3	4	5	6	7	8	9	10	11	12	13	S	H			:									L													14	15	16	17	18	19	20	21	22	23	24	25	26																																											
	1	2	3	4	5	6	7	8	9	10	11	12	13																																																																																										
S	H			:																																																																																																			
L																																																																																																							
14	15	16	17	18	19	20	21	22	23	24	25	26																																																																																											
Read command	<table border="1"> <tr> <td>1</td><td>2</td><td>3</td><td>4</td><td>5</td><td>6</td><td>7</td><td>8</td><td>9</td><td>10</td><td>11</td><td>12</td><td>13</td> </tr> <tr> <td>S</td><td>H</td><td></td><td></td><td>:</td><td></td><td></td><td></td><td></td><td></td><td></td><td></td><td></td> </tr> <tr> <td>L</td><td></td><td></td><td></td><td></td><td></td><td></td><td></td><td></td><td></td><td></td><td></td><td></td> </tr> <tr> <td>14</td><td>15</td><td>16</td><td>17</td><td>18</td><td>19</td><td>20</td><td>21</td><td>22</td><td>23</td><td>24</td><td>25</td><td>26</td> </tr> <tr> <td></td><td></td><td></td><td></td><td></td><td></td><td></td><td></td><td></td><td></td><td></td><td></td><td></td> </tr> </table>							1	2	3	4	5	6	7	8	9	10	11	12	13	S	H			:									L													14	15	16	17	18	19	20	21	22	23	24	25	26																																												
1	2	3	4	5	6	7	8	9	10	11	12	13																																																																																											
S	H			:																																																																																																			
L																																																																																																							
14	15	16	17	18	19	20	21	22	23	24	25	26																																																																																											
Output commands	Answer command	<table border="1"> <tr> <td>1</td><td>2</td><td>3</td><td>4</td><td>5</td><td>6</td><td>7</td><td>8</td><td>9</td><td>10</td><td>11</td><td>12</td><td>13</td> </tr> <tr> <td>S</td><td>H</td><td></td><td></td><td>:</td><td></td><td></td><td></td><td></td><td></td><td></td><td></td><td></td> </tr> <tr> <td>L</td><td></td><td></td><td></td><td></td><td></td><td></td><td></td><td></td><td></td><td></td><td></td><td></td> </tr> <tr> <td>14</td><td>15</td><td>16</td><td>17</td><td>18</td><td>19</td><td>20</td><td>21</td><td>22</td><td>23</td><td>24</td><td>25</td><td>26</td> </tr> <tr> <td></td><td></td><td></td><td></td><td></td><td></td><td></td><td></td><td></td><td></td><td></td><td></td><td></td> </tr> <tr> <td>27</td><td>28</td><td>29</td><td>30</td><td>31</td><td>32</td><td>33</td><td>34</td><td>35</td><td>36</td><td>37</td><td>38</td><td>39</td> </tr> <tr> <td></td><td></td><td></td><td></td><td></td><td></td><td></td><td></td><td></td><td></td><td></td><td></td><td></td> </tr> </table>							1	2	3	4	5	6	7	8	9	10	11	12	13	S	H			:									L													14	15	16	17	18	19	20	21	22	23	24	25	26														27	28	29	30	31	32	33	34	35	36	37	38	39																	
		1	2	3	4	5	6	7	8	9	10	11	12	13																																																																																									
S	H			:																																																																																																			
L																																																																																																							
14	15	16	17	18	19	20	21	22	23	24	25	26																																																																																											
27	28	29	30	31	32	33	34	35	36	37	38	39																																																																																											
Description	The execution fo this command will disable the transevires associated front panel controls.																																																																																																						

Applicable models		TS-940S/811A/811B/811E/711A/711E											Parameter	Format	Parameter function																																																																																																																					
Function	SPLIT ON/OFF setting											P1	1	SPLIT ON/OFF																																																																																																																						
	Input commands	Set command	<table border="1"> <tr><td>1</td><td>2</td><td>3</td><td>4</td><td>5</td><td>6</td><td>7</td><td>8</td><td>9</td><td>10</td><td>11</td><td>12</td><td>13</td></tr> <tr><td>S</td><td>P</td><td>P1</td><td>:</td><td></td><td></td><td></td><td></td><td></td><td></td><td></td><td></td><td></td></tr> <tr><td>14</td><td>15</td><td>16</td><td>17</td><td>18</td><td>19</td><td>20</td><td>21</td><td>22</td><td>23</td><td>24</td><td>25</td><td>26</td></tr> <tr><td></td><td></td><td></td><td></td><td></td><td></td><td></td><td></td><td></td><td></td><td></td><td></td><td></td></tr> </table>													1	2	3	4	5	6	7	8	9	10	11	12	13	S	P	P1	:										14	15	16	17	18	19	20	21	22	23	24	25	26														Read command	<table border="1"> <tr><td>1</td><td>2</td><td>3</td><td>4</td><td>5</td><td>6</td><td>7</td><td>8</td><td>9</td><td>10</td><td>11</td><td>12</td><td>13</td></tr> <tr><td colspan="3">/</td><td></td><td></td><td></td><td></td><td></td><td></td><td></td><td></td><td></td><td></td></tr> <tr><td>14</td><td>15</td><td>16</td><td>17</td><td>18</td><td>19</td><td>20</td><td>21</td><td>22</td><td>23</td><td>24</td><td>25</td><td>26</td></tr> <tr><td></td><td></td><td></td><td></td><td></td><td></td><td></td><td></td><td></td><td></td><td></td><td></td><td></td></tr> </table>													1	2	3	4	5	6	7	8	9	10	11	12	13	/													14	15	16	17	18	19	20	21	22	23	24	25	26												
1			2	3	4	5	6	7	8	9	10	11	12	13																																																																																																																						
S	P	P1	:																																																																																																																																	
14	15	16	17	18	19	20	21	22	23	24	25	26																																																																																																																								
1	2	3	4	5	6	7	8	9	10	11	12	13																																																																																																																								
/																																																																																																																																				
14	15	16	17	18	19	20	21	22	23	24	25	26																																																																																																																								
Output commands	Answer command	<table border="1"> <tr><td>1</td><td>2</td><td>3</td><td>4</td><td>5</td><td>6</td><td>7</td><td>8</td><td>9</td><td>10</td><td>11</td><td>12</td><td>13</td></tr> <tr><td colspan="3">/</td><td></td><td></td><td></td><td></td><td></td><td></td><td></td><td></td><td></td><td></td></tr> <tr><td>14</td><td>15</td><td>16</td><td>17</td><td>18</td><td>19</td><td>20</td><td>21</td><td>22</td><td>23</td><td>24</td><td>25</td><td>26</td></tr> <tr><td></td><td></td><td></td><td></td><td></td><td></td><td></td><td></td><td></td><td></td><td></td><td></td><td></td></tr> <tr><td>27</td><td>28</td><td>29</td><td>30</td><td>31</td><td>32</td><td>33</td><td>34</td><td>35</td><td>36</td><td>37</td><td>38</td><td>39</td></tr> <tr><td></td><td></td><td></td><td></td><td></td><td></td><td></td><td></td><td></td><td></td><td></td><td></td><td></td></tr> </table>													1	2	3	4	5	6	7	8	9	10	11	12	13	/													14	15	16	17	18	19	20	21	22	23	24	25	26														27	28	29	30	31	32	33	34	35	36	37	38	39																																																					
		1	2	3	4	5	6	7	8	9	10	11	12	13																																																																																																																						
/																																																																																																																																				
14	15	16	17	18	19	20	21	22	23	24	25	26																																																																																																																								
27	28	29	30	31	32	33	34	35	36	37	38	39																																																																																																																								
Description																																																																																																																																				



**ST** STEP

Applicable models		TS-811A/811B/811E/711A/711E											Parameter	Format	Parameter function
Function	STEP ON/OFF setting											P1	1	STEP ON/OFF	
Input commands	Set command														
	Read command														
Output commands	Answer command														
Description															

**TN** TONE NUMBER

Applicable models		TS-811A/811B/711A		Parameter	Format	Parameter function
Function	Sub-tone frequency setting			P1	14	TONE FREQUENCY
	Input commands	Set command				
		Read command				
Output commands	Answer command					
Description						

**TO** TONE

\* This command is not applicable to "KENWOOD" versions of the TS-811E/711E.

Applicable models		TS-811A/811B/811E/711A/711E*											Parameter	Format	Parameter function																												
Function	TONE ON/OFF setting											P1	14	TONE ON/OFF																													
	Input commands	Set command	1	2	3	4	5	6	7	8	9	10	11	12	13																												
		Read command	1	2	3	4	5	6	7	8	9	10	11	12	13																												
Output commands	Answer command	1	2	3	4	5	6	7	8	9	10	11	12	13	14	15	16	17	18	19	20	21	22	23	24	25	26	27	28	29	30	31	32	33	34	35	36	37	38	39			
Description																																											

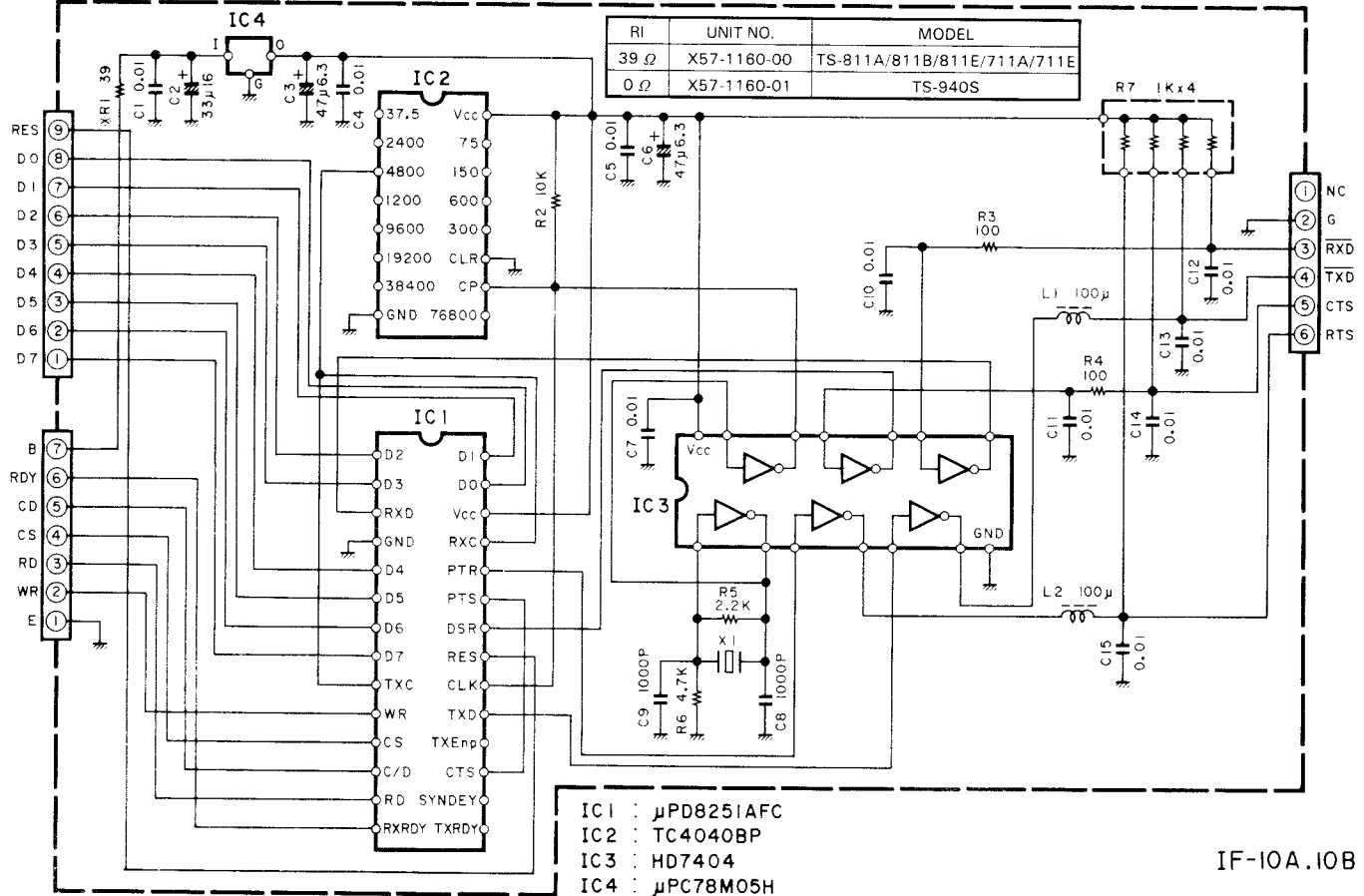
Applicable model		TS-940S	Parameter	Format	Parameter function																																																																													
Function	VBT passband setting and display		P1	12	PASSBAND																																																																													
	Input commands	<b>Set command</b> <table border="1"> <tr> <td>1</td><td>2</td><td>3</td><td>4</td><td>5</td><td>6</td><td>7</td><td>8</td><td>9</td><td>10</td><td>11</td><td>12</td><td>13</td> </tr> <tr> <td>V</td><td>B</td><td>P1</td><td>:</td><td></td><td></td><td></td><td></td><td></td><td></td><td></td><td></td><td></td> </tr> <tr> <td>14</td><td>15</td><td>16</td><td>17</td><td>18</td><td>19</td><td>20</td><td>21</td><td>22</td><td>23</td><td>24</td><td>25</td><td>26</td> </tr> <tr> <td></td><td></td><td></td><td></td><td></td><td></td><td></td><td></td><td></td><td></td><td></td><td></td><td></td> </tr> </table>	1	2	3	4	5	6	7	8	9	10	11	12	13	V	B	P1	:										14	15	16	17	18	19	20	21	22	23	24	25	26																																									
		1	2	3	4	5	6	7	8	9	10	11	12	13																																																																				
V	B	P1	:																																																																															
14	15	16	17	18	19	20	21	22	23	24	25	26																																																																						
<b>Read command</b> <table border="1"> <tr> <td>1</td><td>2</td><td>3</td><td>4</td><td>5</td><td>6</td><td>7</td><td>8</td><td>9</td><td>10</td><td>11</td><td>12</td><td>13</td> </tr> <tr> <td>V</td><td>B</td><td>:</td><td></td><td></td><td></td><td></td><td></td><td></td><td></td><td></td><td></td><td></td> </tr> <tr> <td>14</td><td>15</td><td>16</td><td>17</td><td>18</td><td>19</td><td>20</td><td>21</td><td>22</td><td>23</td><td>24</td><td>25</td><td>26</td> </tr> <tr> <td></td><td></td><td></td><td></td><td></td><td></td><td></td><td></td><td></td><td></td><td></td><td></td><td></td> </tr> </table>	1	2	3	4	5	6	7	8	9	10	11	12	13	V	B	:											14	15	16	17	18	19	20	21	22	23	24	25	26																																											
1	2	3	4	5	6	7	8	9	10	11	12	13																																																																						
V	B	:																																																																																
14	15	16	17	18	19	20	21	22	23	24	25	26																																																																						
Output commands	<b>Answer command</b> <table border="1"> <tr> <td>1</td><td>2</td><td>3</td><td>4</td><td>5</td><td>6</td><td>7</td><td>8</td><td>9</td><td>10</td><td>11</td><td>12</td><td>13</td> </tr> <tr> <td>V</td><td>B</td><td></td><td></td><td>:</td><td></td><td></td><td></td><td></td><td></td><td></td><td></td><td></td> </tr> <tr> <td>14</td><td>15</td><td>16</td><td>17</td><td>18</td><td>19</td><td>20</td><td>21</td><td>22</td><td>23</td><td>24</td><td>25</td><td>26</td> </tr> <tr> <td></td><td></td><td></td><td></td><td></td><td></td><td></td><td></td><td></td><td></td><td></td><td></td><td></td> </tr> <tr> <td>27</td><td>28</td><td>29</td><td>30</td><td>31</td><td>32</td><td>33</td><td>34</td><td>35</td><td>36</td><td>37</td><td>38</td><td>39</td> </tr> <tr> <td></td><td></td><td></td><td></td><td></td><td></td><td></td><td></td><td></td><td></td><td></td><td></td><td></td> </tr> </table>	1	2	3	4	5	6	7	8	9	10	11	12	13	V	B			:									14	15	16	17	18	19	20	21	22	23	24	25	26														27	28	29	30	31	32	33	34	35	36	37	38	39																
1	2	3	4	5	6	7	8	9	10	11	12	13																																																																						
V	B			:																																																																														
14	15	16	17	18	19	20	21	22	23	24	25	26																																																																						
27	28	29	30	31	32	33	34	35	36	37	38	39																																																																						
Description	The execution of this command disables the transceivers associated front panel controls.																																																																																	

Applicable models		TS-940S/811A/811B/811E/711A/711E											Parameter	Format	Parameter function			
Function	Generation of synthesized voice.																	
	Input commands	Set command																
		Read command																
Output commands	Answer command																	
Description																		

Applicable model		TS-940S	Parameter	Format	Parameter function																																																																														
Function	XIT ON/OFF setting		P1	1	XIT ON/OFF																																																																														
Input commands	Set command	<table border="1"> <tr> <td>1</td><td>2</td><td>3</td><td>4</td><td>5</td><td>6</td><td>7</td><td>8</td><td>9</td><td>10</td><td>11</td><td>12</td><td>13</td> </tr> <tr> <td>X</td><td>T</td><td>P1</td><td>:</td><td></td><td></td><td></td><td></td><td></td><td></td><td></td><td></td><td></td> </tr> <tr> <td>14</td><td>15</td><td>16</td><td>17</td><td>18</td><td>19</td><td>20</td><td>21</td><td>22</td><td>23</td><td>24</td><td>25</td><td>26</td> </tr> <tr> <td></td><td></td><td></td><td></td><td></td><td></td><td></td><td></td><td></td><td></td><td></td><td></td><td></td> </tr> </table>	1	2	3	4	5	6	7	8	9	10	11	12	13	X	T	P1	:										14	15	16	17	18	19	20	21	22	23	24	25	26																																										
	1	2	3	4	5	6	7	8	9	10	11	12	13																																																																						
X	T	P1	:																																																																																
14	15	16	17	18	19	20	21	22	23	24	25	26																																																																							
Read command	<table border="1"> <tr> <td>1</td><td>2</td><td>3</td><td>4</td><td>5</td><td>6</td><td>7</td><td>8</td><td>9</td><td>10</td><td>11</td><td>12</td><td>13</td> </tr> <tr> <td>/</td><td>/</td><td>/</td><td>/</td><td>/</td><td>/</td><td>/</td><td>/</td><td>/</td><td>/</td><td>/</td><td>/</td><td>/</td> </tr> <tr> <td>14</td><td>15</td><td>16</td><td>17</td><td>18</td><td>19</td><td>20</td><td>21</td><td>22</td><td>23</td><td>24</td><td>25</td><td>26</td> </tr> <tr> <td></td><td></td><td></td><td></td><td></td><td></td><td></td><td></td><td></td><td></td><td></td><td></td><td></td> </tr> </table>	1	2	3	4	5	6	7	8	9	10	11	12	13	/	/	/	/	/	/	/	/	/	/	/	/	/	14	15	16	17	18	19	20	21	22	23	24	25	26																																											
1	2	3	4	5	6	7	8	9	10	11	12	13																																																																							
/	/	/	/	/	/	/	/	/	/	/	/	/																																																																							
14	15	16	17	18	19	20	21	22	23	24	25	26																																																																							
Output commands	Answer command	<table border="1"> <tr> <td>1</td><td>2</td><td>3</td><td>4</td><td>5</td><td>6</td><td>7</td><td>8</td><td>9</td><td>10</td><td>11</td><td>12</td><td>13</td> </tr> <tr> <td>/</td><td>/</td><td>/</td><td>/</td><td>/</td><td>/</td><td>/</td><td>/</td><td>/</td><td>/</td><td>/</td><td>/</td><td>/</td> </tr> <tr> <td>14</td><td>15</td><td>16</td><td>17</td><td>18</td><td>19</td><td>20</td><td>21</td><td>22</td><td>23</td><td>24</td><td>25</td><td>26</td> </tr> <tr> <td></td><td></td><td></td><td></td><td></td><td></td><td></td><td></td><td></td><td></td><td></td><td></td><td></td> </tr> <tr> <td>27</td><td>28</td><td>29</td><td>30</td><td>31</td><td>32</td><td>33</td><td>34</td><td>35</td><td>36</td><td>37</td><td>38</td><td>39</td> </tr> <tr> <td></td><td></td><td></td><td></td><td></td><td></td><td></td><td></td><td></td><td></td><td></td><td></td><td></td> </tr> </table>	1	2	3	4	5	6	7	8	9	10	11	12	13	/	/	/	/	/	/	/	/	/	/	/	/	/	14	15	16	17	18	19	20	21	22	23	24	25	26														27	28	29	30	31	32	33	34	35	36	37	38	39																
1	2	3	4	5	6	7	8	9	10	11	12	13																																																																							
/	/	/	/	/	/	/	/	/	/	/	/	/																																																																							
14	15	16	17	18	19	20	21	22	23	24	25	26																																																																							
27	28	29	30	31	32	33	34	35	36	37	38	39																																																																							
Description																																																																																			

# 6. SCHEMATIC DIAGRAM

(X57-1160-00,01)



IF-10A.10B

KENWOOD