

## CIRCUIT DESCRIPTION

### Receiver Circuit Configuration

The configuration of the receiver circuit is double-conversion with a first IF of 73.045MHz and a second IF of 10.695 MHz, and triple-conversion in FM mode with a first IF of 73.045MHz, a second IF of 10.695MHz, and a third IF of 455kHz. (Fig. 5)

The incoming signal from the antenna passes through the antenna switch relay on the filter unit, then through the 30-MHz low-pass filter, and goes to the TX-RX unit. The signal passes through a 20dB attenuator and 30-MHz low-pass filter in the TX-RX unit, and goes through the eight band-pass filters. If AIP is off, the signal passing through each band-pass filter is amplified by the RF amplifier, Q9 and Q10 (2SK520 x 2), and is input to the first mixer, Q5 to Q8 (2SK520 x 4). If AIP is on, the signal bypasses Q9 and Q10 and goes directly to the first mixer. It is mixed with the LO1 signal by the first mixer to produce a first IF signal of 73.045MHz.

The first IF signal of 73.045MHz passes through the MCF (XF1), is amplified by Q17 (3SK131), and mixed with the 62.35-MHz LO2 signal by the second mixer, Q18 and Q19 (2SK520 x 2), to produce a second IF signal of 10.695MHz.

The second IF signal of 10.695MHz is split into two. One signal goes to the NB amplifier, and the other passes through the NB gate FET (3SK131). The signal then passes through the CF (XF2) and is detected by IC2 (KCD04) in FM mode. In other modes, the signal goes to the IF filter of the X48-3110-00 unit. There are three types of IF filter: 6-kHz, 2.7-kHz, and 500-Hz (500-Hz is optional). The signal passing through the IF filter goes to IC3 (KCD08), and is product-detected in SSB and CW modes, and envelope-detected in AM mode.

### 1. Receiver front-end

The signal input to the TX-RX unit passes through the switching circuit of the attenuator and the 30-MHz low-pass filter, and goes to seven band-pass filters. If AIP is off, D10 and D11 turn on and D8 and D9 turn off, and the signal passing through each filter is amplified by about 13 dB by Q9 and Q10 (2SK520 x 2) and output to the first mixer. If AIP is on, D10 and D11 turn off and D8 and D9 turn on, and the signal is output directly to the first mixer without passing through Q9 and Q10. The first mixer, is a quad balanced mixer, Q5 to Q8 (2SK520 x 4). (Fig. 4)

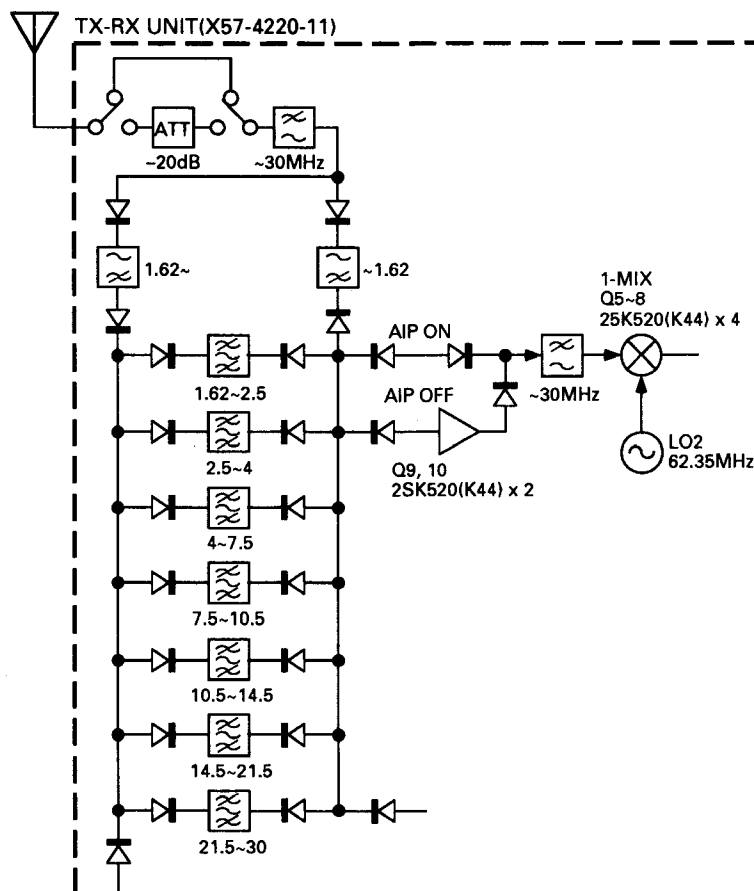
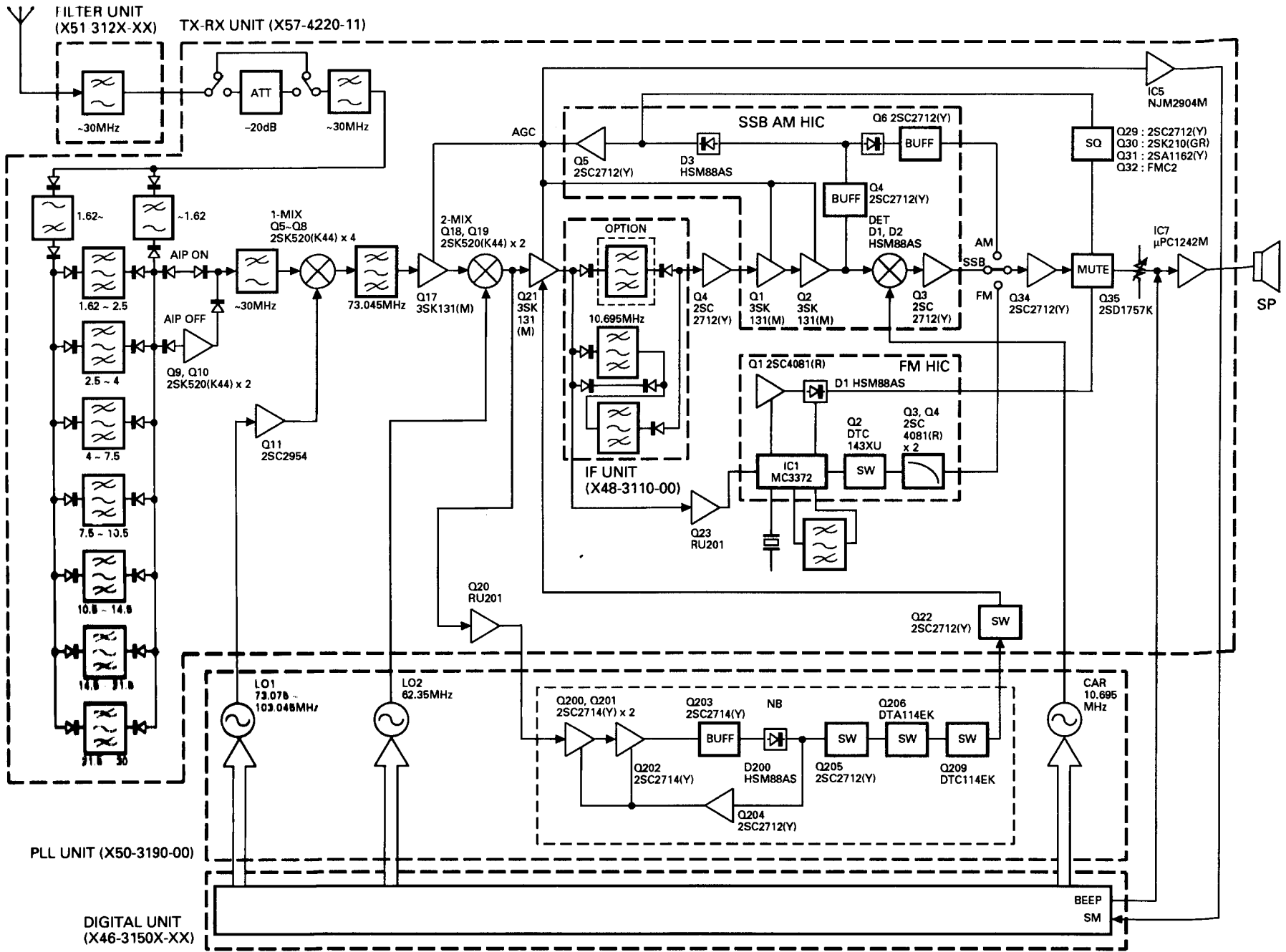


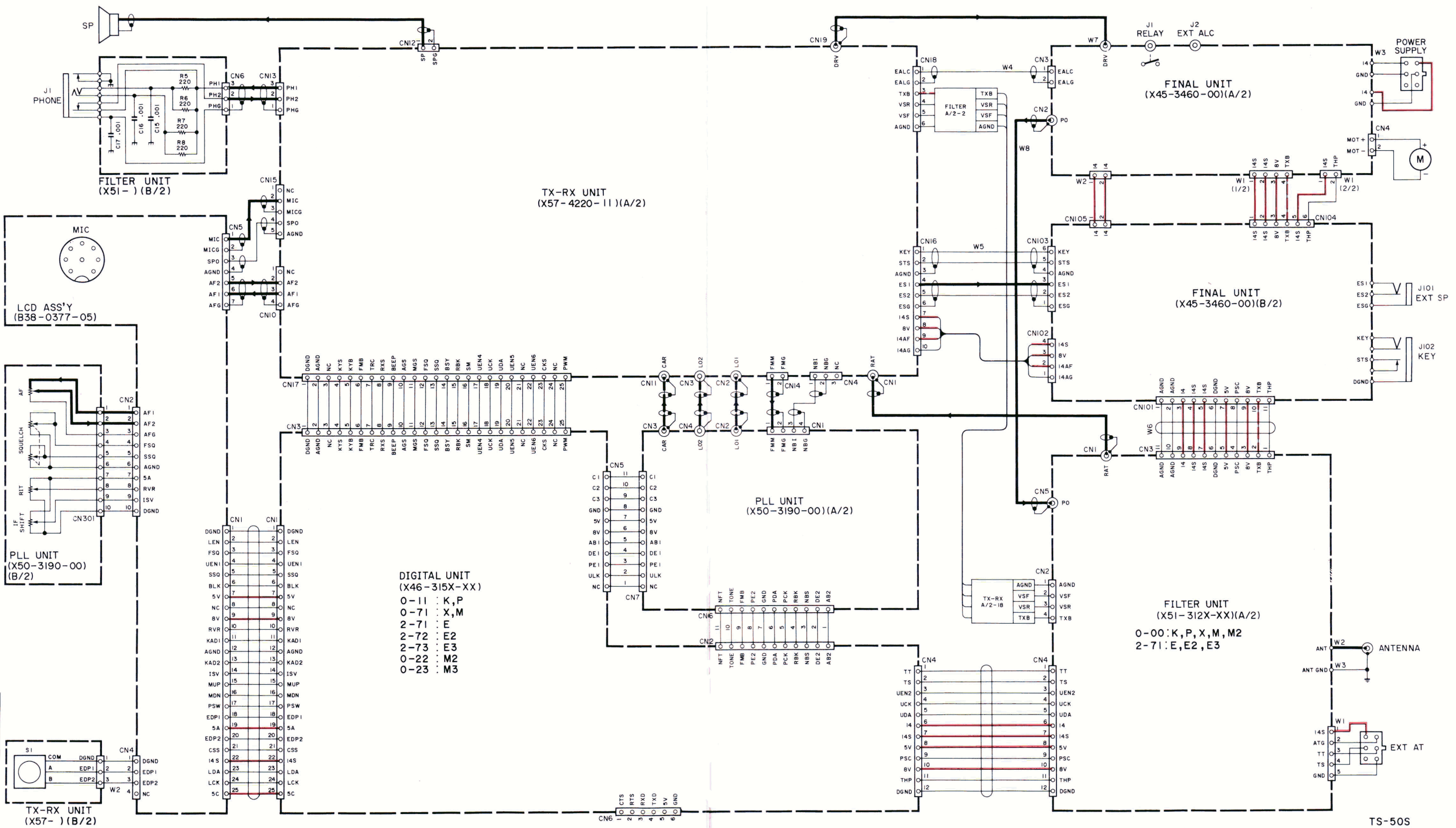
Fig. 4 Receiver front-end

Fig. 5 Receiver section block diagram



CIRCUIT DESCRIPTION

# TS-50S SCHEMATIC DIAGRAM



DIGITAL UNIT  
(X46-315X-XX)

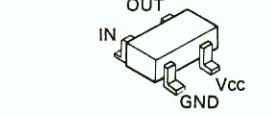
0-11 : K,P  
0-71 : X,M  
2-71 : E  
2-72 : E2  
2-73 : E3  
0-22 : M2  
0-23 : M3

FILTER UNIT  
(X51-312X-XX) (A/2)

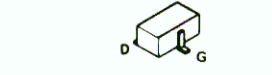
0-00 : K,P,X,M,M2  
2-71 : E,E2,E3

TX-RX UNIT (X57-4220-11)

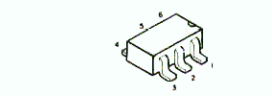
KU201



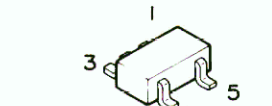
2SJ106  
2SK520



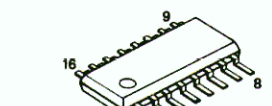
IMD3



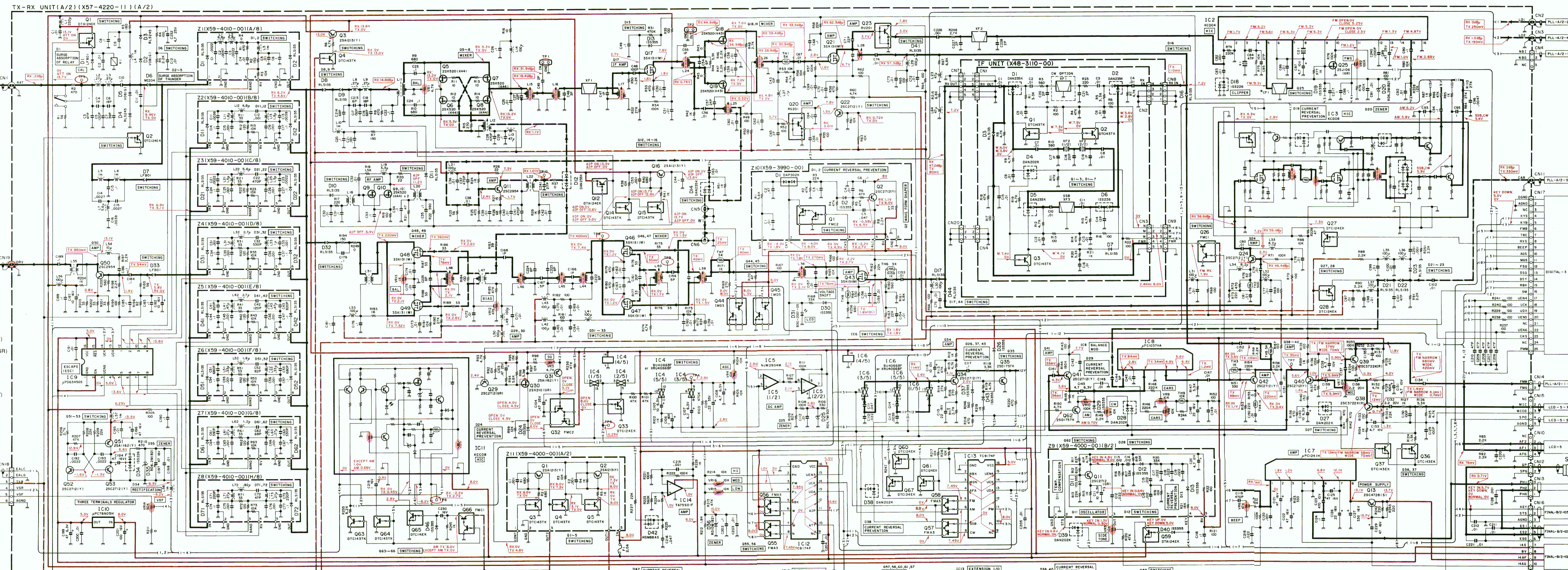
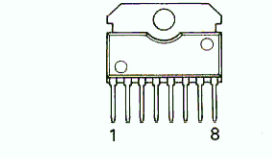
TA75S01F



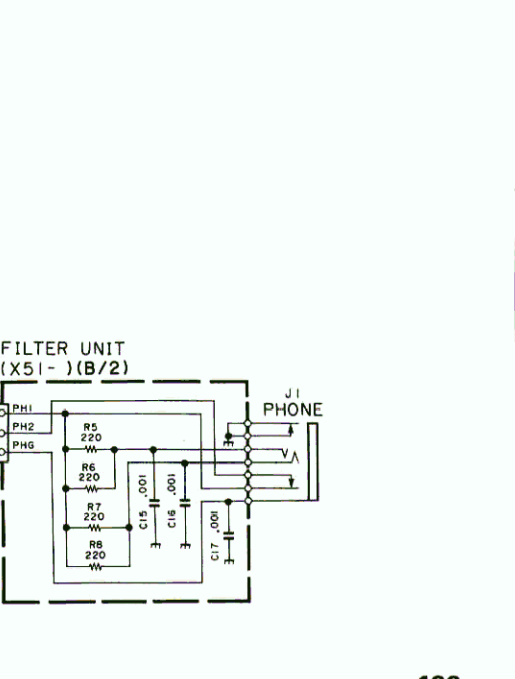
μPD6345GS



μPC1241H

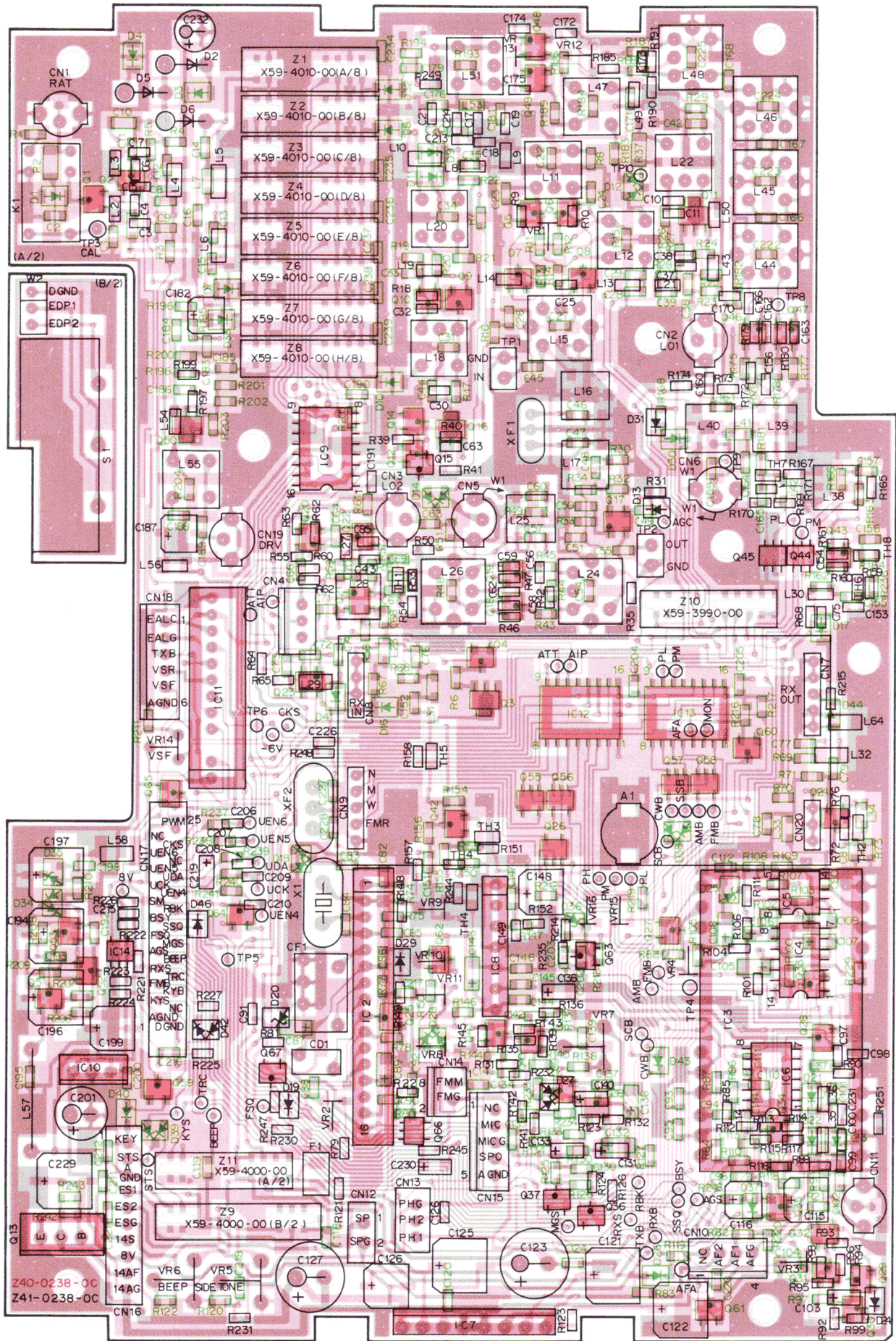


- D1,7,33 : LF801
- D2,5 : V08(G)
- D3,4 : RLS245
- D6 : M1204
- D8-11,16,17,21-23,32,41,44 : DAN235K
- D12,14 : RLS135
- D13,19,24,26,29,30,37,40,43,46 : DAN202K
- D18,34 : 1SS355
- D20,35 : RD6.2M(B2)
- D25 : RD4.7M(B2)
- D27,28,38,39 : DAN202K
- D31 : B30-2001-05
- D36 : RD10M(B2)
- D42 : HSM88AS
- Q1,12,59 : DTA124EK
- Q2,27,28,33,60,61,67 : DTC124EK
- Q3,16 : 2SA1213(Y)
- Q4,14,15,63,64 : DTC143TK
- Q5-10 : 2SK520(K44)
- Q11,50 : 2SC2954
- Q13 : 2SC4728(S)
- Q17,21,43,46-49 : 3SK131(M)
- Q18,19 : 2SK520(K43)
- Q20,23 : RU201
- Q22,24,34,40,41,42,52,53 : 2SC2712(Y)
- Q25 : 2SC2712(Y)
- Q26,66 : FMC1
- Q29 : 2SC2712(GR)
- Q30 : 2SK210(GR)
- Q31,51 : 2SA1182(Y)
- Q32 : FMC2
- Q35,52 : 2SD1757K
- Q36,37 : DTC143EK
- Q38,39 : 2SC3722(KR)
- Q44,45 : IMD3
- Q55-58 : FMA3
- Q65 : DTC114EK
- IC2 : KCC04
- IC3 : KCC08
- IC4,6 : BU4066BF or XRU4066BF
- IC5 : NJM2904M
- IC7 : μPC1241H
- IC8 : μPC1037HA
- IC9 : μPD6345GS
- IC10 : μPC78N05H
- IC11 : KCC08
- IC12,13 : TC9174F
- IC14 : TA75S01F

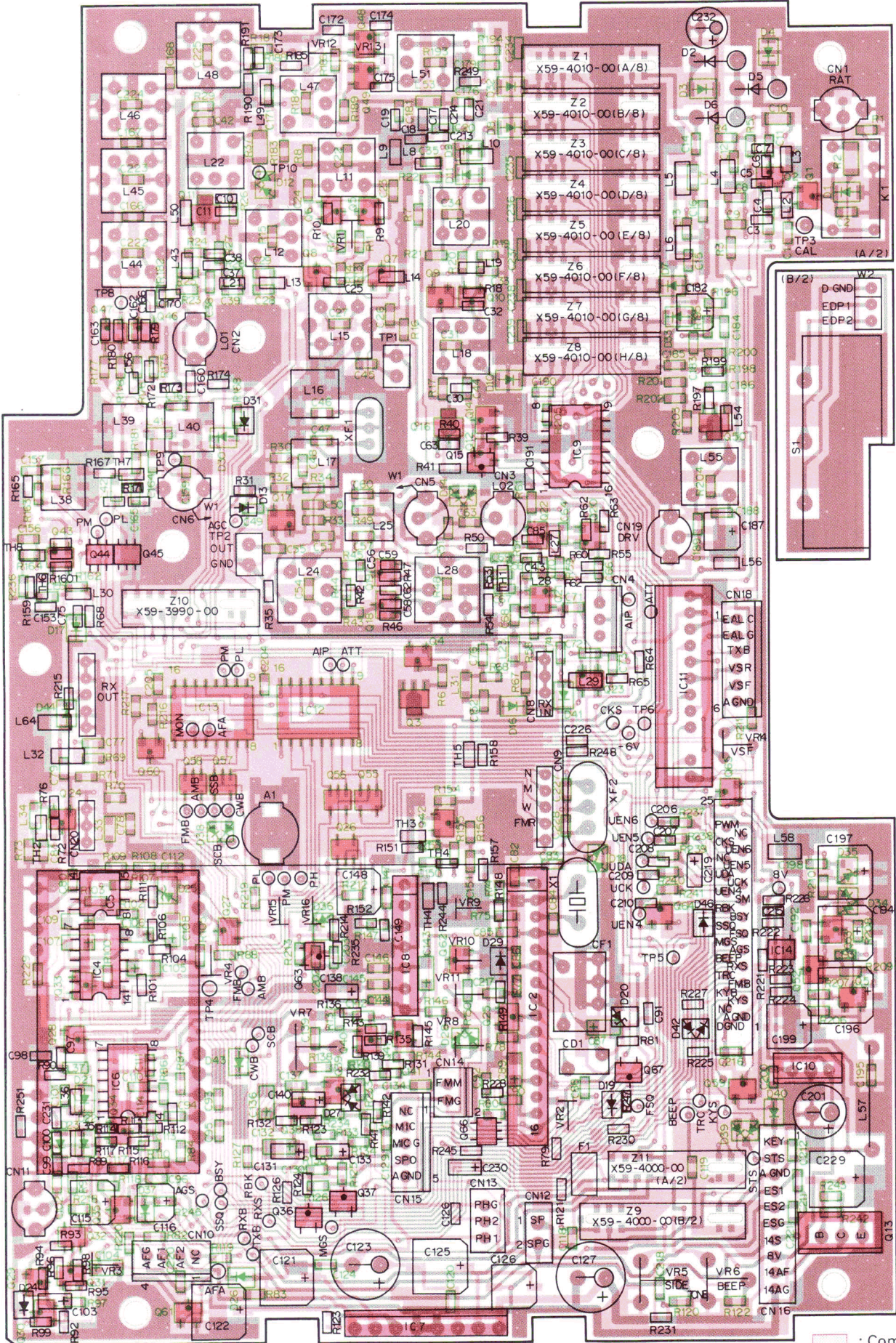


# TS-50S PC BOARD VIEWS

## TX-RX UNIT (X57-4220-11) Component side view



TX-RX UNIT (X57-4220-11) Foil side view



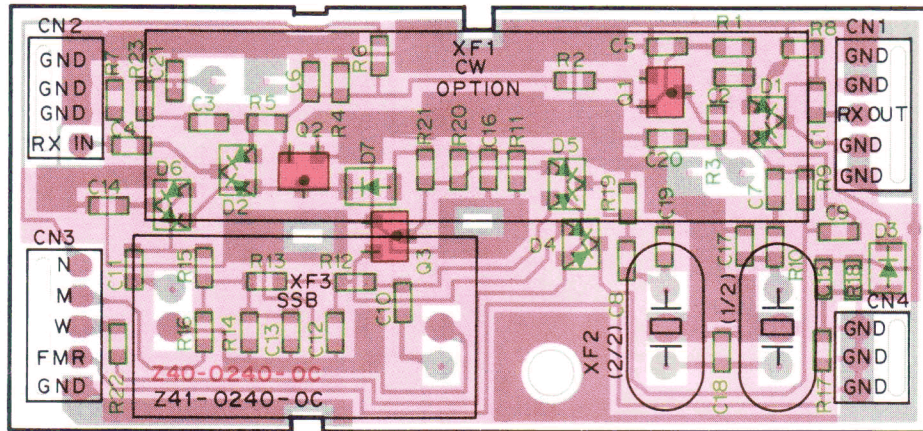
: Component side  
 : Foil side

# PC BOARD VIEWS TS-50S

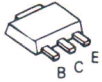
2SA1162  
 2SC2712  
 2SC3722K  
 2SD1757K  
 DTA124EK  
 DTC114EK  
 DTC124EK  
 DTC143EK  
 DTC143TK



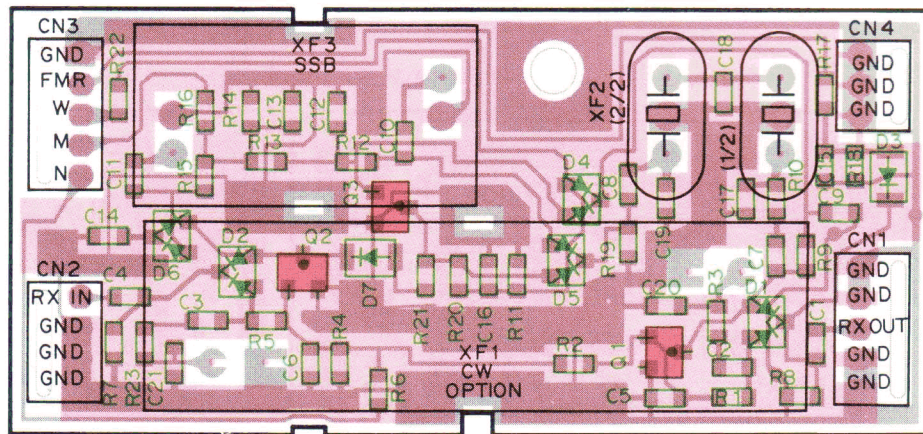
**IF UNIT (X48-3110-00) Component side view**



2SA1213  
 2SC2954



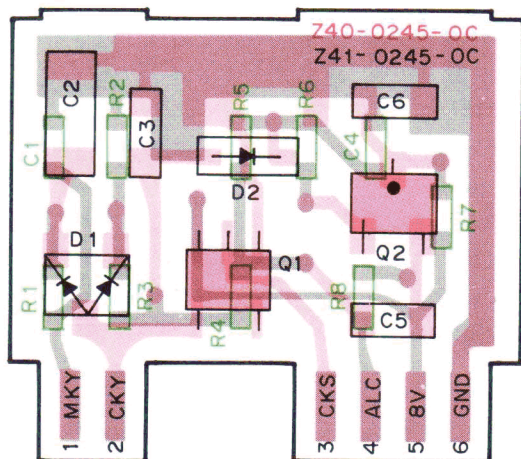
**IF UNIT (X48-3110-00) Foil side view**



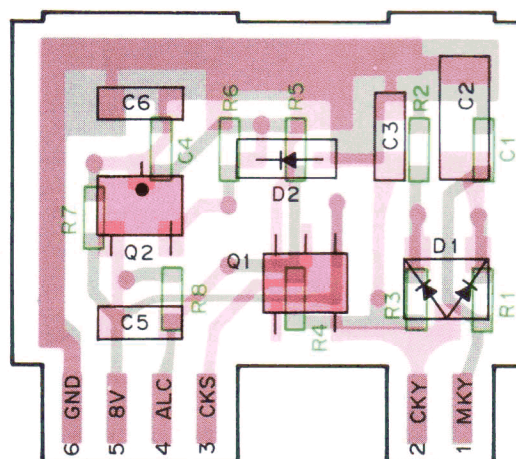
2SK210



**ALC (X59-3990-00)  
 Component side view**



**ALC (X59-3990-00)  
 Foil side view**



□ : Component side  
 ▨ : Foil side

## PARTS LIST

× New Parts

Parts without Parts No. are not supplied.

Les articles non mentionnés dans le Parts No. ne sont pas fournis.

Teile ohne Parts No. werden nicht geliefert.

TX-RX UNIT (X57-4220-11)

Ref. No. 参照番号	Address 位置	New Parts 新	Parts No. 部品番号	Description 部品名 / 規格	Desti- nation 仕 向	Re- marks 備考
<b>TX-RX UNIT (X57-4220-11)</b>						
C1 ,2			CK73FB1E103K	CHIP C 0.01UF K		
C3			CC73GCH1H470J	CHIP C 47PF J		
C4			CC73GCH1H070D	CHIP C 7PF D		
C5			CC73GCH1H121J	CHIP C 120PF J		
C6			CC73GCH1H180J	CHIP C 18PF J		
C7			CC73GCH1H390J	CHIP C 39PF J		
C8			CK73FB1E104K	CHIP C 0.10UF K		
C9			CK73FF1C105Z	CHIP C 1.0UF Z		
C10			CK73EB1H104K	CHIP C 0.10UF K		
C11 ,12			CK73FB1E103K	CHIP C 0.01UF K		
C13			CK73FB1E104K	CHIP C 0.10UF K		
C14 ,15			CK73FB1H272K	CHIP C 2700PF K		
C16			CK73FB1H392K	CHIP C 3900PF K		
C17			CC73GCH1H151J	CHIP C 150PF J		
C18			CC73GCH1H180J	CHIP C 18PF J		
C19			CC73GCH1H680J	CHIP C 68PF J		
C20			CK73FB1E104K	CHIP C 0.10UF K		
C21			CK73GB1H102K	CHIP C 1000PF K		
C22 -24			CK73FB1E104K	CHIP C 0.10UF K		
C25			CK73GB1E103K	CHIP C 0.010UF K		
C26			CK73FB1E104K	CHIP C 0.10UF K		
C27			CC73FCH1H220J	CHIP C 22PF J		
C28			CC73FSL1H471J	CHIP C 47PF J		
C29			CK73FB1E104K	CHIP C 0.10UF K		
C30			CK73GB1E103K	CHIP C 0.010UF K		
C31			CK73FB1E104K	CHIP C 0.10UF K		
C32			CK73GB1E103K	CHIP C 0.010UF K		
C33 -35			CK73FB1E104K	CHIP C 0.10UF K		
C36			CK73GB1E103K	CHIP C 0.010UF K		
C37			CK73GB1H471K	CHIP C 470PF K		
C38 ,39			CK73FB1E103K	CHIP C 0.01UF K		
C40			CK73GB1E103K	CHIP C 0.010UF K		
C41			CK73GB1H471K	CHIP C 470PF K		
C42			CK73FB1E103K	CHIP C 0.01UF K		
C43			CC73GCH1H100D	CHIP C 10PF D		
C44			CK73FF1C105Z	CHIP C 1.0UF Z		
C45			CC73FCH1H020C	CHIP C 2.0PF C		
C46			CC73FCH1H030C	CHIP C 3PF C		
C47			CC73FCH1H010C	CHIP C 1PF C		
C48			CC73FCH1H101J	CHIP C 100PF J		
C49			CK73FB1E104K	CHIP C 0.10UF K		
C50 ,51			CK73FB1E103K	CHIP C 0.01UF K		
C53			CK73GB1H102K	CHIP C 1000PF K		
C54			CC73FCH1H060D	CHIP C 6PF D		
C55			CC73FCH1H010C	CHIP C 1PF C		
C56			CK73GB1E103K	CHIP C 0.010UF K		
C57			CC73FCH1H240J	CHIP C 24PF J		
C58 ,59			CK73GB1E103K	CHIP C 0.010UF K		
C60			CK73FB1E103K	CHIP C 0.01UF K		
C62			CK73GB1E103K	CHIP C 0.010UF K		
C63 ,64			CK73FB1E103K	CHIP C 0.01UF K		
C65			CC73GCH1H020C	CHIP C 2.0PF C		
C66 ,67			CK73FB1E103K	CHIP C 0.01UF K		

L:Scandinavia

K:USA

P:Canada

Y:PX(Far East, Hawaii)

T:England

E:Europe

Y:AAFES(Europe)

X:Australia

M:Other Areas

⚠ indicates safety critical components.



## PARTS LIST

× New Parts

Parts without Parts No. are not supplied.

Les articles non mentionnés dans le Parts No. ne sont pas fournis.

Teile ohne Parts No. werden nicht geliefert.

TX-RX UNIT (X57-4220-11)

Ref. No. 参照番号	Address 位置	New Parts 新	Parts No. 部品番号	Description 部品名 / 規格	Desti- nation 仕 向	Re- marks 備考
C68			CK73FB1E104K	CHIP C 0.10UF K		
C69 ,70			CK73FB1E103K	CHIP C 0.01UF K		
C71			CC73FCH1H220J	CHIP C 22PF J		
C72 -74			CK73FB1E103K	CHIP C 0.01UF K		
C75			CK73GB1E103K	CHIP C 0.010UF K		
C76 -81			CK73FB1E103K	CHIP C 0.01UF K		
C82			CK73FB1H102K	CHIP C 1000PF K		
C83			CK73FB1E103K	CHIP C 0.01UF K		
C84			CC73FCH1H470J	CHIP C 47PF J		
C85			CC73FCH1H270J	CHIP C 27PF J		
C86			CK73FB1E103K	CHIP C 0.01UF K		
C87			C92-0009-05	CHIP TAN 4.7UF 10WV		
C88			CK73FB1E104K	CHIP C 0.10UF K		
C89			C92-0003-05	CHIP TAN 0.47UF 25WV		
C90			CK73FB1E104K	CHIP C 0.10UF K		
C91			CK73GB1E103K	CHIP C 0.010UF K		
C92			CK73FB1E103K	CHIP C 0.01UF K		
C93			CK73FF1C105Z	CHIP C 1.0UF Z		
C94			CK73FB1E104K	CHIP C 0.10UF K		
C95			CK73FF1C105Z	CHIP C 1.0UF Z		
C96			CK73FB1H472K	CHIP C 4700PF K		
C97 -100			CK73GB1E103K	CHIP C 0.010UF K		
C101			CC73FCH1H470J	CHIP C 47PF J		
C102			CK73FB1E103K	CHIP C 0.01UF K		
C103,104			C92-0003-05	CHIP TAN 0.47UF 25WV		
C105			C92-0509-05	TANTAL 10UF 6.3WV		
C106			C92-0004-05	ELECTRO 1.0UF 16WV		
C107,108			C92-0507-05	CHIP TAN 4.7UF 6.3WV		
C109			C92-0002-05	CHIP TAN 0.22UF 35WV		
C110			CK73FB1E223K	CHIP C 0.022UF K		
C111			CK73FB1E473K	CHIP C 0.047UF K		
C112			CK73FB1E103K	CHIP C 0.01UF K		
C113			CK73FB1H392K	CHIP C 3900PF K		
C114			CK73FB1E104K	CHIP C 0.10UF K		
C115			C92-0038-05	ELECTRO 22UF 16WV		
C116			C92-0041-05	ELECTRO 10UF 10WV		
C117-118			CK73FB1E104K	CHIP C 0.10UF K		
C119			CC73FSL1H471J	CHIP C 47PF J		
C120			CK73FB1H102K	CHIP C 1000PF K		
C121,122			C92-0040-05	ELECTRO 47UF 16WV		
C123			C90-2153-05	ELECTRO 470UF 10WV		
C124			CK73FB1E104K	CHIP C 0.10UF K		
C125			C92-0040-05	ELECTRO 47UF 16WV		
C126			C92-0038-05	ELECTRO 22UF 16WV		
C127			CE04EW1C331M	ELECTRO 330UF 16WV		
C128			CK73GB1H102K	CHIP C 1000PF K		
C129,130			CC73FCH1H101J	CHIP C 100PF J		
C131			C92-0009-05	CHIP TAN 4.7UF 10WV		
C132			C92-0007-05	CHIP TAN 2.2UF 10WV		
C133			C92-0009-05	CHIP TAN 4.7UF 10WV		
C134,135			CK73FF1C105Z	CHIP C 1.0UF Z		
C136			C92-0007-05	CHIP TAN 2.2UF 10WV		
C137			CK73FF1C105Z	CHIP C 1.0UF Z		
C138			C92-0009-05	CHIP TAN 4.7UF 10WV		
C139			CK73FF1C105Z	CHIP C 1.0UF Z		

L:Scandinavia

K:USA

P:Canada

Y:PX(Far East, Hawaii)

T:England

E:Europe

Y:AAFES(Europe)

X:Australia

M:Other Areas

△ indicates safety critical components.

## PARTS LIST

× New Parts

Parts without Parts No. are not supplied.

Les articles non mentionnés dans le Parts No. ne sont pas fournis.

Teile ohne Parts No. werden nicht geliefert.

TX-RX UNIT (X57-4220-11)

Ref. No. 参照番号	Address 位置	New Parts 新	Parts No. 部品番号	Description 部品名 / 規格	Desti- nation 仕 向	Re- marks 備考
C140			C92-0509-05	TANTAL 10UF 6.3WV		
C141, 142			CK73FF1C105Z	CHIP C 1.0UF Z		
C143			C92-0507-05	CHIP TAN 4.7UF 6.3WV		
C144			CC73FCH1H050C	CHIP C 5PF C		
C145-147			CK73FB1E103K	CHIP C 0.01UF K		
C148			C92-0038-05	ELECTRO 22UF 16WV		
C149			CK73GB1E103K	CHIP C 0.010UF K		
C150-152			CK73FB1E103K	CHIP C 0.01UF K		
C153, 154			CK73GB1E103K	CHIP C 0.010UF K		
C155-157			CK73FB1E103K	CHIP C 0.01UF K		
C158			CK73GB1E103K	CHIP C 0.010UF K		
C159			CC73FCH1H050C	CHIP C 5PF C		
C160			CK73GB1E103K	CHIP C 0.010UF K		
C161			CC73FCH1H200J	CHIP C 20PF J		
C162, 163			CK73GB1E103K	CHIP C 0.010UF K		
C164, 165			CK73FB1E103K	CHIP C 0.01UF K		
C166			CC73FCH1H010C	CHIP C 1PF C		
C167			CC73FCH1H0R5C	CHIP C 0.5PF C		
C168			CC73FCH1H010C	CHIP C 1PF C		
C169, 170			CK73GB1E103K	CHIP C 0.010UF K		
C171			CK73FB1E103K	CHIP C 0.01UF K		
C172-175			CK73GB1E103K	CHIP C 0.010UF K		
C176			CK73FB1E104K	CHIP C 0.10UF K		
C179			CK73FB1E104K	CHIP C 0.10UF K		
C181			CK73FB1E104K	CHIP C 0.10UF K		
C182			C92-0037-05	ELECTRO 10UF 16WV		
C183-186			CK73FB1E104K	CHIP C 0.10UF K		
C187			C92-0037-05	ELECTRO 10UF 16WV		
C188-190			CK73FB1E104K	CHIP C 0.10UF K		
C191			CK73GB1E103K	CHIP C 0.010UF K		
C192, 193			CK73FB1H222K	CHIP C 2200PF K		
C194			C92-0040-05	ELECTRO 47UF 16WV		
C195			CK73FB1E103K	CHIP C 0.01UF K		
C196, 197			C92-0040-05	ELECTRO 47UF 16WV		
C198			CK73FB1E103K	CHIP C 0.01UF K		
C199			C92-0047-05	ELECTRO 47UF 6.3WV		
C200			CK73FB1E103K	CHIP C 0.01UF K		
C201			CE04EW1C101M	ELECTRO 100UF 16WV		
C202			CK73FB1E104K	CHIP C 0.10UF K		
C203-205			CK73FB1E103K	CHIP C 0.01UF K		
C206-210			CC73GCH1H470J	CHIP C 47PF J		
C211, 212			CK73FB1E103K	CHIP C 0.01UF K		
C213			CC73GCH1H060D	CHIP C 6PF D		
C214			CC73GCH1H680J	CHIP C 68PF J		
C215			CK73GB1H102K	CHIP C 1000PF K		
C216			CK73FB1E473K	CHIP C 0.047UF K		
C217			CK73FF1C105Z	CHIP C 1.0UF Z		
C218			CK73FB1E223K	CHIP C 0.022UF K		
C219			C92-0004-05	ELECTRO 1.0UF 16WV		
C220, 221			CK73FB1E103K	CHIP C 0.01UF K		
C222-225			CC73FUJ1H080D	CHIP C 8PF D		
C226			CK73GB1H102K	CHIP C 1000PF K		
C227, 228			CC73FCH1H020C	CHIP C 2.0PF C		
C229			C92-0040-05	ELECTRO 47UF 16WV		
C230			C92-0004-05	ELECTRO 1.0UF 16WV		

L:Scandinavia

K:USA

P:Canada

Y:PX(Far East, Hawaii)


T:England

E:Europe

Y:AAFES(Europe)

X:Australia

M:Other Areas

 indicates safety critical components.

## PARTS LIST

× New Parts

Parts without Parts No. are not supplied.

Les articles non mentionnés dans le Parts No. ne sont pas fournis.

Teile ohne Parts No. werden nicht geliefert.

TX-RX UNIT (X57-4220-11)

Ref. No. 参照番号	Address 位置	New Parts 新	Parts No. 部品番号	Description 部品名 / 規格	Desti- nation 仕 向	Re- marks 備考
C231			CK73GB1H102K	CHIP C 1000PF K		
C232			CE04EW1E4R7M	ELECTRO 4.7UF 25WV		
C234-239			CK73FB1E102K	CHIP C 1000PF K		
C240			CK73FB1H122K	CHIP C 1200PF K		
C241			CC73FCH1H270J	CHIP C 27PF J		
A1	-	*	E23-0918-04	TERMINAL		
CN1 -3			E04-0154-05	RF COAXIAL CABLE RECEPTACLE		
CN4			E40-3247-05	PIN CONNECTOR (3P)		
CN5 ,6			E04-0154-05	RF COAXIAL CABLE RECEPTACLE		
CN7		*	E40-5608-05	PIN CONNECTOR (5P)		
CN8		*	E40-5607-05	PIN CONNECTOR (4P)		
CN9		*	E40-5608-05	PIN CONNECTOR (5P)		
CN10			E40-3248-05	PIN CONNECTOR (4P)		
CN11			E04-0154-05	RF COAXIAL CABLE RECEPTACLE		
CN12			E40-3237-05	PIN CONNECTOR (2P)		
CN13			E40-3247-05	PIN CONNECTOR (3P)		
CN14			E40-3246-05	PIN CONNECTOR (2P)		
CN15			E40-3249-05	PIN CONNECTOR (5P)		
CN16			E40-3254-05	PIN CONNECTOR (10P)		
CN17		*	E40-5233-05	PIN CONNECTOR (25P)		
CN18			E40-3250-05	PIN CONNECTOR (6P)		
CN19			E04-0154-05	RF COAXIAL CABLE RECEPTACLE		
CN20		*	E40-5606-05	PIN CONNECTOR (3P)		
TP1 ,2			E40-0211-05	PIN CONNECTOR (2P)		
TP3			E23-0512-05	TERMINAL		
W1	-		E37-0179-05	PIN CONNECTOR		
W2	-	*	E37-0373-05	CONNECTING WIRE		
F1	-	*	F53-0055-05	FUSE (2A)		
-			J30-0545-05	SPACER(XF1)		
C01			L79-1013-05	DISCRI (455KHz)		
CF1			L72-0372-05	CERAMIC FILTER (455KHz)		
L1			L40-2211-48	SMALL FIXED INDUCTOR (220UH)		
L2 ,3			L40-2782-48	SMALL FIXED INDUCTOR (0.27UH)		
L4 -6			L33-0695-05	CHOKE COIL (1MH)		
L7		*	L40-5692-48	SMALL FIXED INDUCTOR (5.6UH)		
L8 ,9			L40-2782-48	SMALL FIXED INDUCTOR (0.27UH)		
L10			L33-0695-05	CHOKE COIL (1MH)		
L11			L19-0324-05	TRANSFORMER		
L12			L39-0454-05	TOROIDAL COIL		
L13			L40-4701-48	SMALL FIXED INDUCTOR (47UH)		
L14			L40-1011-48	SMALL FIXED INDUCTOR (100UH)		
L15			L34-4222-05	COIL		
L16		*	L34-4332-05	COIL		
L17		*	L34-4331-05	COIL		
L18			L19-0324-05	TRANSFORMER		
L19			L40-3392-48	SMALL FIXED INDUCTOR (3.3UH)		
L20			L19-0324-05	TRANSFORMER		
L21			L40-1011-48	SMALL FIXED INDUCTOR (100UH)		
L22			L39-0454-05	TOROIDAL COIL		
L23			L40-4701-48	SMALL FIXED INDUCTOR (47UH)		
L24			L34-4209-05	COIL		
L25		*	L34-4330-05	COIL		
L26		*	L34-4216-05	COIL		

L:Scandinavia

K:USA

P:Canada

Y:PX(Far East, Hawaii)

T:England

E:Europe

Y:AAFES(Europe)

X:Australia

M:Other Areas

△ indicates safety critical components.

## PARTS LIST

× New Parts

Parts without Parts No. are not supplied.

Les articles non mentionnés dans le Parts No. ne sont pas fournis.

Teile ohne Parts No. werden nicht geliefert.

TX-RX UNIT (X57-4220-11)

Ref. No. 参照番号	Address 位置	New Parts 新	Parts No. 部品番号	Description 部品名 / 規格	Desti- nation 仕 向	Re- marks 備考
L27			L40-1082-48	SMALL FIXED INDUCTOR (0.1UH)		
L28		*	L34-4328-05	COIL		
L29 -32			L40-1011-48	SMALL FIXED INDUCTOR (100UH)		
L33 ,34		*	L40-8295-48	SMALL FIXED INDUCTOR (8.2UH)		
L35 -37			L40-1011-48	SMALL FIXED INDUCTOR (100UH)		
L38		*	L34-4327-05	COIL		
L39		*	L34-4326-05	COIL		
L40		*	L34-4329-05	COIL		
L41 -43			L40-1011-48	SMALL FIXED INDUCTOR (100UH)		
L44 -46		*	L34-4333-05	COIL		
L47			L39-0454-05	COIL		
L48		*	L34-4333-05	COIL		
L49 ,50			L40-1011-48	SMALL FIXED INDUCTOR (100UH)		
L51			L19-0324-05	TRANSFORMER		
L53			L40-1011-48	SMALL FIXED INDUCTOR (100UH)		
L54			L40-1001-48	SMALL FIXED INDUCTOR (10UH)		
L55			L19-0324-05	TRANSFORMER		
L56			L40-1011-48	SMALL FIXED INDUCTOR (100UH)		
L57			L40-1021-13	SMALL FIXED INDUCTOR (1MH)		
L58			L33-0695-05	CHOKE COIL		
L64			L40-4701-48	SMALL FIXED INDUCTOR (47UH)		
X1			L77-0720-05	CRYSTAL RESONATOR (10.24MHZ)		
XF1		*	L71-0432-05	CRYSTAL FILTER (72.045MHZ)		
XF2			L71-0230-05	CRYSTAL FILTER (10.695MHZ)		
R1			RK73FB2A560J	CHIP R 56 J 1/10W		
R2			RK73EB2B471J	CHIP R 470 J 1/8W		
R3			RK73FB2A181J	CHIP R 180 J 1/10W		
R4			RK73FB2A101J	CHIP R 100 J 1/10W		
R5			RK73FB2A222J	CHIP R 2.2K J 1/10W		
R6			RK73FB2A472J	CHIP R 4.7K J 1/10W		
R7			RK73FB2A151J	CHIP R 150 J 1/10W		
R8			RK73FB2A471J	CHIP R 470 J 1/10W		
R9 ,10			RK73GB1J681J	CHIP R 680 J 1/16W		
R11 -14			RK73FB2A100J	CHIP R 10 J 1/10W		
R15			RK73FB2A271J	CHIP R 270 J 1/10W		
R16			RK73FB2A100J	CHIP R 10 J 1/10W		
R17			RK73FB2A221J	CHIP R 220 J 1/10W		
R18			RK73GB1J152J	CHIP R 1.5K J 1/16W		
R19			RK73FB2A101J	CHIP R 100 J 1/10W		
R20			RK73FB2A220J	CHIP R 22 J 1/10W		
R21			RK73FB2A470J	CHIP R 47 J 1/10W		
R22			RK73FB2A391J	CHIP R 390 J 1/10W		
R23			RK73FB2A560J	CHIP R 56 J 1/10W		
R24			RK73FB2A102J	CHIP R 1.0K J 1/10W		
R25			RK73FB2A471J	CHIP R 470 J 1/10W		
R26			RK73FB2A220J	CHIP R 22 J 1/10W		
R27			RK73FB2A150J	CHIP R 150 J 1/10W		
R28			RK73FB2A680J	CHIP R 68 J 1/10W		
R29			RK73FB2A102J	CHIP R 1.0K J 1/10W		
R30			RK73FB2A122J	CHIP R 1.2K J 1/10W		
R31			RK73GB1J474J	CHIP R 470K J 1/16W		
R32			RK73FB2A273J	CHIP R 27K J 1/10W		
R33			RK73FB2A471J	CHIP R 470 J 1/10W		
R34			RK73FB2A104J	CHIP R 100K J 1/10W		

L:Scandinavia

K:USA

P:Canada

Y:PX(Far East, Hawaii)

T:England

E:Europe

Y:AAFES(Europe)

X:Australia

M:Other Areas

▲ indicates safety critical components.

## PARTS LIST

× New Parts

Parts without Parts No. are not supplied.

Les articles non mentionnés dans le Parts No. ne sont pas fournis.

Teile ohne Parts No. werden nicht geliefert.

TX-RX UNIT (X57-4220-11)

Ref. No. 参照番号	Address 位置	New Parts 新	Parts No. 部品番号	Description 部品名 / 規格	Desti- nation 仕 向	Re- marks 備考
R35			RK73GB1J101J	CHIP R 100 J 1/16W		
R37			R92-0679-05	CHIP R 0 0HM		
R39			RK73GB1J103J	CHIP R 10K J 1/16W		
R40			RK73GB1J681J	CHIP R 680 J 1/16W		
R41 ,42			RK73GB1J102J	CHIP R 1.0K J 1/16W		
R43			R92-0670-05	CHIP R 0 0HM		
R44			RK73FB2A332J	CHIP R 3.3K J 1/10W		
R45			R92-0670-05	CHIP R 0 0HM		
R46 ,47			RK73GB1J222J	CHIP R 2.2K J 1/16W		
R48			RK73FB2A272J	CHIP R 2.7K J 1/10W		
R49			RK73FB2A101J	CHIP R 100 J 1/10W		
R50			RK73GB1J101J	CHIP R 100 J 1/16W		
R51			RK73FB2A102J	CHIP R 1.0K J 1/10W		
R52			RK73GB1J101J	CHIP R 100 J 1/16W		
R53			RK73GB1J103J	CHIP R 10K J 1/16W		
R54			RK73GB1J472J	CHIP R 4.7K J 1/16W		
R55			RK73GB1J101J	CHIP R 100 J 1/16W		
R56			RK73FB2A333J	CHIP R 33K J 1/10W		
R57			RK73FB2A104J	CHIP R 100K J 1/10W		
R58			RK73FB2A223J	CHIP R 22K J 1/10W		
R59			RK73FB2A471J	CHIP R 470 J 1/10W		
R60			RK73GB1J472J	CHIP R 4.7K J 1/16W		
R61			RK73FB2A103J	CHIP R 10K J 1/10W		
R62			RK73GB1J101J	CHIP R 100 J 1/16W		
R63			RK73GB1J103J	CHIP R 10K J 1/16W		
R64 -66			RK73GB1J101J	CHIP R 100 J 1/16W		
R67			RK73FB2A682J	CHIP R 6.8K J 1/10W		
R68 -70			RK73FB2A101J	CHIP R 100 J 1/10W		
R71			RK73FB2A104J	CHIP R 100K J 1/10W		
R72			RK73GB1J471J	CHIP R 470 J 1/16W		
R73			RK73FB2A221J	CHIP R 220 J 1/10W		
R74			RK73FB2A224J	CHIP R 220K J 1/10W		
R75			RK73FB2A103J	CHIP R 10K J 1/10W		
R76			RK73GB1J820J	CHIP R 82 J 1/16W		
R77			RK73FB2A102J	CHIP R 1.0K J 1/10W		
R78			RK73FB2A104J	CHIP R 100K J 1/10W		
R79			RK73GB1J104J	CHIP R 100K J 1/16W		
R80			RK73FB2A103J	CHIP R 10K J 1/10W		
R81			RK73GB1J101J	CHIP R 100 J 1/16W		
R82 ,83			RK73FB2A222J	CHIP R 2.2K J 1/10W		
R84			RK73FB2A273J	CHIP R 27K J 1/10W		
R85			RK73GB1J102J	CHIP R 1.0K J 1/16W		
R86			RK73FB2A473J	CHIP R 47K J 1/10W		
R87			RK73FB2A102J	CHIP R 1.0K J 1/10W		
R88			RK73FB2A103J	CHIP R 10K J 1/10W		
R89 ,90			RK73GB1J222J	CHIP R 2.2K J 1/16W		
R91			RK73FB2A222J	CHIP R 2.2K J 1/10W		
R92			RK73GB1J103J	CHIP R 10K J 1/16W		
R93			RK73GB1J472J	CHIP R 4.7K J 1/16W		
R94			RK73GB1J562J	CHIP R 5.6K J 1/16W		
R95			RK73GB1J153J	CHIP R 15K J 1/16W		
R96			RK73FB2A335J	CHIP R 3.3M J 1/10W		
R97			RK73FB2A123J	CHIP R 12K J 1/10W		
R98			RK73GB1J102J	CHIP R 1.0K J 1/16W		
R99			RK73GB1J123J	CHIP R 12K J 1/16W		

L:Scandinavia

K:USA

P:Canada

Y:PX(Far East, Hawaii)


T:England

E:Europe

Y:AAFES(Europe)

X:Australia

M:Other Areas

 indicates safety critical components.

## PARTS LIST

× New Parts

Parts without Parts No. are not supplied.

Les articles non mentionnes dans le Parts No. ne sont pas fournis.

Teile ohne Parts No. werden nicht geliefert.

TX-RX UNIT (X57-4220-11)

Ref. No. 参照番号	Address 位置	New Parts 新	Parts No. 部品番号	Description 部品名 / 规格	Desti- nation 仕向	Re- marks 備考
R100			RK73FB2A473J	CHIP R 47K J 1/10W		
R101			RK73GB1J473J	CHIP R 47K J 1/16W		
R102			RK73FB2A102J	CHIP R 1.0K J 1/10W		
R103			RK73FB2A474J	CHIP R 470K J 1/10W		
R104			RK73GB1J103J	CHIP R 10K J 1/16W		
R105			RK73FB2A103J	CHIP R 10K J 1/10W		
R106			RK73GB1J331J	CHIP R 330 J 1/16W		
R107			RK73FB2A393J	CHIP R 39K J 1/10W		
R108			RK73FB2A104J	CHIP R 100K J 1/10W		
R109			RK73FB2A823J	CHIP R 82K J 1/10W		
R110			RK73FB2A273J	CHIP R 27K J 1/10W		
R111			RK73GB1J104J	CHIP R 100K J 1/16W		
R112			RK73GB1J102J	CHIP R 1.0K J 1/16W		
R113			RK73GB1J473J	CHIP R 47K J 1/16W		
R114			RK73GB1J273J	CHIP R 27K J 1/16W		
R115			RK73GB1J472J	CHIP R 4.7K J 1/16W		
R116			RK73GB1J271J	CHIP R 270 J 1/16W		
R117			RK73GB1J272J	CHIP R 2.7K J 1/16W		
R118			RK73FB2A332J	CHIP R 3.3K J 1/10W		
R119			RK73FB2A472J	CHIP R 4.7K J 1/10W		
R120			RK73FB2A473J	CHIP R 47K J 1/10W		
R121			RK73GB1J101J	CHIP R 100 J 1/16W		
R122			RK73FB2A104J	CHIP R 100K J 1/10W		
R123			RK73GB1J331J	CHIP R 330 J 1/16W		
R124			RK73GB1J152J	CHIP R 1.5K J 1/16W		
R125			RK73FB2A472J	CHIP R 4.7K J 1/10W		
R126			RK73FB2A332J	CHIP R 3.3K J 1/10W		
R127			RK73FB2A102J	CHIP R 1.0K J 1/10W		
R128			RK73GB1J471J	CHIP R 470 J 1/16W		
R129			RK73GB1J104J	CHIP R 100K J 1/16W		
R130			RK73FB2A223J	CHIP R 22K J 1/10W		
R131			RK73GB1J101J	CHIP R 100 J 1/16W		
R132			RK73GB1J472J	CHIP R 4.7K J 1/16W		
R133			RK73FB2A151J	CHIP R 150 J 1/10W		
R134			RK73FB2A102J	CHIP R 1.0K J 1/10W		
R135			RK73GB1J101J	CHIP R 100 J 1/16W		
R136			RK73GB1J104J	CHIP R 100K J 1/16W		
R137			RK73FB2A473J	CHIP R 47K J 1/10W		
R138			RK73FB2A471J	CHIP R 470 J 1/10W		
R139			RK73GB1J152J	CHIP R 1.5K J 1/16W		
R140			RK73FB2A151J	CHIP R 150 J 1/10W		
R141, 142			RK73GB1J471J	CHIP R 470 J 1/16W		
R143			RK73GB1J101J	CHIP R 100 J 1/16W		
R144			RK73FB2A184J	CHIP R 180K J 1/10W		
R145			RK73GB1J102J	CHIP R 1.0K J 1/16W		
R146			RK73FB2A224J	CHIP R 220K J 1/10W		
R147			RK73FB2A332J	CHIP R 3.3K J 1/10W		
R148			RK73GB1J224J	CHIP R 220K J 1/16W		
R149			RK73GB1J222J	CHIP R 2.2K J 1/16W		
R150			RK73FB2A472J	CHIP R 4.7K J 1/10W		
R151			RK73GB1J331J	CHIP R 330 J 1/16W		
R152			RK73GB1J101J	CHIP R 100 J 1/16W		
R153			RK73FB2A221J	CHIP R 220 J 1/10W		
R154			RK73FB2A224J	CHIP R 220K J 1/10W		
R155			R92-0670-05	CHIP R 0 OHM		

L:Scandinavia

K:USA

P:Canada

Y:PX(Far East, Hawaii)


T:England

E:Europe

Y:AAFES(Europe)

X:Australia

M:Other Areas

 indicates safety critical components.

## PARTS LIST

× New Parts

Parts without Parts No. are not supplied.

Les articles non mentionnés dans le Parts No. ne sont pas fournis.

Teile ohne Parts No. werden nicht geliefert.

**TX-RX UNIT (X57-4220-11)**

Ref. No. 参照番号	Address 位置	New Parts 新	Parts No. 部品番号	Description 部品名 / 規格	Desti- nation 仕 向	Re- marks 備考
R156			RK73FB2A222J	CHIP R 2.2K J 1/10W		
R157			RK73GB1J101J	CHIP R 100 J 1/16W		
R158			RK73GB1J222J	CHIP R 2.2K J 1/16W		
R159			RK73GB1J102J	CHIP R 1.0K J 1/16W		
R160			RK73GB1J561J	CHIP R 560 J 1/16W		
R161			RK73GB1J682J	CHIP R 6.8K J 1/16W		
R162, 163			RK73FB2A223J	CHIP R 22K J 1/10W		
R164			RK73FB2A331J	CHIP R 330 J 1/10W		
R165			RK73GB1J103J	CHIP R 10K J 1/16W		
R166			RK73FB2A101J	CHIP R 100 J 1/10W		
R167			RK73GB1J101J	CHIP R 100 J 1/16W		
R168			RK73FB2A333J	CHIP R 33K J 1/10W		
R169			RK73GB1J271J	CHIP R 270 J 1/16W		
R170			RK73GB1J470J	CHIP R 47 J 1/16W		
R171			RK73GB1J102J	CHIP R 1.0K J 1/16W		
R172			RK73GB1J823J	CHIP R 82K J 1/16W		
R173			RK73GB1J103J	CHIP R 10K J 1/16W		
R174			RK73GB1J472J	CHIP R 4.7K J 1/16W		
R175-178			RK73FB2A330J	CHIP R 33 J 1/10W		
R179, 180			RK73GB1J471J	CHIP R 470 J 1/16W		
R181, 182			RK73FB2A101J	CHIP R 100 J 1/10W		
R183			RK73FB2A390J	CHIP R 39 J 1/10W		
R184			RK73FB2A101J	CHIP R 100 J 1/10W		
R185			RK73GB1J473J	CHIP R 47K J 1/16W		
R186-189			RK73FB2A330J	CHIP R 33 J 1/10W		
R190			RK73GB1J273J	CHIP R 27K J 1/16W		
R191			RK73GB1J103J	CHIP R 10K J 1/16W		
R193			RK73FB2A102J	CHIP R 1.0K J 1/10W		
R194			RK73FB2A151J	CHIP R 150 J 1/10W		
R195			RK73FB2A560J	CHIP R 56 J 1/10W		
R196			RK73FB2A820J	CHIP R 82 J 1/10W		
R197			RK73GB1J222J	CHIP R 2.2K J 1/16W		
R198			RK73FB2A222J	CHIP R 2.2K J 1/10W		
R199			RK73GB1J101J	CHIP R 100 J 1/16W		
R200			RK73FB2A561J	CHIP R 560 J 1/10W		
R201-203			RK73FB2A330J	CHIP R 33 J 1/10W		
R204			RK73FB2A102J	CHIP R 1.0K J 1/10W		
R205			RK73FB2A101J	CHIP R 100 J 1/10W		
R206			RK73FB2A272J	CHIP R 2.7K J 1/10W		
R207			RK73FB2A473J	CHIP R 47K J 1/10W		
R208, 209			RK73FB2A223J	CHIP R 22K J 1/10W		
R210			RK73FB2A471J	CHIP R 470 J 1/10W		
R211			R92-0670-05	CHIP R 0 ΩHM		
R212			RK73FB2A182J	CHIP R 1.8K J 1/10W		
R213			RK73FB2A473J	CHIP R 47K J 1/10W		
R214			RK73GB1J103J	CHIP R 10K J 1/16W		
R215			RK73GB1J682J	CHIP R 6.8K J 1/16W		
R216, 217			RK73FB2A103J	CHIP R 10K J 1/10W		
R218			RK73FB2A471J	CHIP R 470 J 1/10W		
R219			RK73FB2A102J	CHIP R 1.0K J 1/10W		
R220			RK73FB2A471J	CHIP R 470 J 1/10W		
R221, 222			RK73GB1J104J	CHIP R 100K J 1/16W		
R223			RK73GB1J564J	CHIP R 560K J 1/16W		
R224, 225			R92-1252-05	CHIP R 0 ΩHM		
R226			RK73GB1J102J	CHIP R 1.0K J 1/16W		

L:Scandinavia

K:USA

P:Canada

Y:PX(Far East, Hawaii)


T:England

E:Europe

Y:AAFES(Europe)

X:Australia

M:Other Areas

 indicates safety critical components.

## PARTS LIST

× New Parts

Parts without Parts No. are not supplied.

Les articles non mentionnés dans le Parts No. ne sont pas fournis.

Teile ohne Parts No. werden nicht geliefert.

TX-RX UNIT (X57-4220-11)

Ref. No. 参照番号	Address 位置	New Parts 新	Parts No. 部品番号	Description 部品名 / 規格	Desti- nation 仕向	Re- marks 備考
R227			RK73GB1J223J	CHIP R 22K J 1/16W		
R228			RK73GB1J123J	CHIP R 12K J 1/16W		
R229			RK73FB2A470J	CHIP R 47 J 1/10W		
R230			RK73GB1J473J	CHIP R 47K J 1/16W		
R231			RK73GB1J104J	CHIP R 100K J 1/16W		
R232			RK73GB1J222J	CHIP R 2.2K J 1/16W		
R233			RK73FB2A104J	CHIP R 100K J 1/10W		
R234			RK73FB2A101J	CHIP R 100 J 1/10W		
R235			RK73GB1J822J	CHIP R 8.2K J 1/16W		
R236			RK73FB2A681J	CHIP R 680 J 1/10W		
R237-241			RK73FB2A101J	CHIP R 100 J 1/10W		
R242, 243			RK73FB2A221J	CHIP R 220 J 1/10W		
R244, 245			RK73GB1J102J	CHIP R 1.0K J 1/16W		
R246			RK73FB2A561J	CHIP R 560 J 1/10W		
R247			RK73GB1J102J	CHIP R 1.0K J 1/16W		
R248			RK73GB1J272J	CHIP R 2.7K J 1/16W		
R249			R92-1252-05	CHIP R 0 OHM		
R251			RK73GB1J222J	CHIP R 2.2K J 1/16W		
VR1			R12-6711-05	TRIMMING POT. 4.7K		
VR2			R12-6719-05	TRIMMING POT. 100K		
VR3			R12-6711-05	TRIMMING POT. 4.7K		
VR4			R12-6713-05	TRIMMING POT. 10K		
VR5			R12-3126-05	TRIMMING POT. 10K		
VR6			R12-3132-05	TRIMMING POT. 47K		
VR7			R12-3126-05	TRIMMING POT. 10K		
VR8, 9			R12-6713-05	TRIMMING POT. 10K		
VR10			R12-6719-05	TRIMMING POT. 100K		
VR11			R12-6713-05	TRIMMING POT. 10K		
VR12			R12-6717-05	TRIMMING POT. 47K		
VR13			R12-6707-05	TRIMMING POT. 1K		
VR14			R12-4414-05	TRIMMING POT. 50K		
VR15, 16			R12-6713-05	TRIMMING POT. 10K		
K1			S51-1436-05	RELAY		
D1			LFB01	DIODE		
D2			V08(G)	DIODE		
D3, 4			RLS245	DIODE		
D5			V08(G)	DIODE		
D6			MI204	DIODE		
D7			LFB01	DIODE		
D8 -11			RLS135	DIODE		
D12			DAN235K	DIODE		
D13			1SS355	DIODE		
D14			DAN235K	DIODE		
D16, 17			RLS135	DIODE		
D18			1SS226	DIODE		
D19			1SS355	DIODE		
D20		*	RD6.2M(B2)	DIODE		
D21 -23			RLS135	DIODE		
D24			1SS355	DIODE		
D25		*	RD4.7M(B2)	DIODE		
D26			1SS355	DIODE		
D27, 28			DAN202K	DIODE		
D29, 30			1SS355	DIODE		

L:Scandinavia

K:USA

P:Canada

Y:PX(Far East, Hawaii)

T:England

E:Europe

Y:AAFES(Europe)

X:Australia

M:Other Areas

△ indicates safety critical components.



## PARTS LIST

× New Parts

Parts without Parts No. are not supplied.

Les articles non mentionnes dans le Parts No. ne sont pas fournis.

Teile ohne Parts No. werden nicht geliefert.

TX-RX UNIT (X57-4220-11)

Ref. No. 参照番号	Address 位置	New Parts 新	Parts No. 部品番号	Description 部品名 / 规格	Desti- nation 仕向	Re- marks 備考
D31			B30-2001-05	LED		
D32			RLS135	DIODE		
D33			LFB01	DIODE		
D34			1SS226	DIODE		
D35		*	RD6.2M(B2)	DIODE		
D36			RD10M(B2)	DIODE		
D37			1SS355	DIODE		
D38 ,39			DAN202K	DIODE		
D40			1SS355	DIODE		
D41			RLS135	DIODE		
D42			HSM88AS	DIODE		
D43			1SS355	DIODE		
D44			RLS135	DIODE		
D46			1SS355	DIODE		
IC2			KCD04	IC(FM IF)		
IC3		*	KCD08	IC		
IC4			BU4066BF	IC(ANALOG SWITCH X4)		
IC4			XRU4066BF	IC(ANALOG SWITCH)		
IC5			NJM2904M	IC(OP AMP X2)		
IC6			BU4066BF	IC(ANALOG SWITCH X4)		
IC6			XRU4066BF	IC(ANALOG SWITCH)		
IC7			UPC1241H	IC		
IC8			UPC1037HA	IC(DUBBLE BALANCE MODULATOR)		
IC9		*	UPD6345GS	IC		
IC10			UPC78N05H	IC(VOLTAGE REGULATOR/+8V)		
IC11		*	KCC08	IC		
IC12,13			TC9174F	IC(CMOS I/O EXTENSION)		
IC14		*	TA75S01F	IC		
Q1			DTA124EK	DIGITAL TRANSISTOR		
Q2			DTC124EK	DIGITAL TRANSISTOR		
Q3			2SA1213(Y)	TRANSISTOR		
Q4			DTC143TK	DIGITAL TRANSISTOR		
Q5 -10			2SK520(K44)	FET		
Q11			2SC2954	TRANSISTOR		
Q12			DTA124EK	DIGITAL TRANSISTOR		
Q13		*	2SC4728(S)	TRANSISTOR		
Q14 ,15			DTC143TK	DIGITAL TRANSISTOR		
Q16			2SA1213(Y)	TRANSISTOR		
Q17			3SK131(M)	FET		
Q18 ,19			2SK520(K43)	FET		
Q20		*	RU201	TRANSISTOR		
Q21			3SK131(M)	FET		
Q22			2SC2712(Y)	TRANSISTOR		
Q23		*	RU201	TRANSISTOR		
Q24			2SC2712(Y)	TRANSISTOR		
Q25			2SJ106(GR)	FET		
Q26			FMC1	TRANSISTOR		
Q27 ,28			DTC124EK	DIGITAL TRANSISTOR		
Q29			2SC2712(GR)	TRANSISTOR		
Q30			2SK210(GR)	FET		
Q31			2SA1162(Y)	TRANSISTOR		
Q32			FMC2	TRANSISTOR		
Q33			DTC124EK	DIGITAL TRANSISTOR		
Q34			2SC2712(Y)	TRANSISTOR		
Q35			2SD1757K	TRANSISTOR		

L:Scandinavia

K:USA

P:Canada

Y:PX(Far East, Hawaii)


T:England

E:Europe

Y:AAFES(Europe)

X:Australia

M:Other Areas

 indicates safety critical components.

## PARTS LIST

× New Parts

Parts without Parts No. are not supplied.

Les articles non mentionnés dans le Parts No. ne sont pas fournis.

Teile ohne Parts No. werden nicht geliefert.

**TX-RX UNIT (X57-4220-11)**  
**VCO (X58-4010-00)**

Ref. No. 参照番号	Address 位置	New Parts 新	Parts No. 部品番号	Description 部品名 / 規格	Desti- nation 仕 向	Re- marks 備考
Q36 ,37 Q38 ,39 Q40 -42 Q43 Q44 ,45			DTC143BK 2SC3722K(R) 2SC2712(Y) 3SK131(M) IMD3	DIGITAL TRANSISTOR TRANSISTOR TRANSISTOR FET TRANSISTOR		
Q46 -49 Q50 Q51 Q52 ,53 Q55 -58		*	3SK131(M) 2SC2954 2SA1162(Y) 2SC2712(Y) FMA3	FET TRANSISTOR TRANSISTOR TRANSISTOR TRANSISTOR		
Q59 Q60 ,61 Q62 Q63 ,64 Q65			DTA124EK DTC124EK 2SD1757K DTC143TK DTC114EK	DIGITAL TRANSISTOR DIGITAL TRANSISTOR TRANSISTOR DIGITAL TRANSISTOR DIGITAL TRANSISTOR		
Q66 Q67 S1 TH1 TH2		*	FMC1 DTC124EK W02-1764-05 157-502-53002 157-501-53009	TRANSISTOR DIGITAL TRANSISTOR ENCODER THERMISTOR THERMISTOR		
TH3 ,4 TH5 TH6 ,7 TH8 TH9		*	157-102-53003 157-502-53002 157-302-53008 157-102-53003 157-103-55001	THERMISTOR THERMISTOR THERMISTOR THERMISTOR THERMISTOR		
- - -		*	X59-3990-00 X59-4000-00 X59-4010-00	MODULE UNIT MODULE UNIT MODULE UNIT		
<b>VCO (X58-4010-00)</b>						
C1 C2 C3 C5 C6			CK73GB1H102K CC73GCH1H390J CC73GCH1H150J CC73GCH1H110J CC73GCH1H180J	CHIP C 1000PF K CHIP C 39PF J CHIP C 15PF J CHIP C 11PF J CHIP C 18PF J		
C7 C8 C9 C10 ,11 C12			CC73GCH1H100D CK73GB1H102K CC73GCH1H050C CK73GB1H102K CC73GCH1H330J	CHIP C 10PF D CHIP C 1000PF K CHIP C 5PF C CHIP C 1000PF K CHIP C 33PF J		
C13 C15 C16 C17 C18			CC73GCH1H100D CC73GCH1H090D CC73GCH1H160J CC73GCH1H090D CK73GB1H102K	CHIP C 10PF D CHIP C 9PF D CHIP C 16PF J CHIP C 9PF D CHIP C 1000PF K		
C19 C20 ,21 C22 C23 C25			CC73GCH1H050C CK73GB1H102K CC73GCH1H180J CC73GCH1H100D CC73GCH1H070D	CHIP C 5PF C CHIP C 1000PF K CHIP C 18PF J CHIP C 10PF D CHIP C 7PF D		
C26 C27 C28 C29 C30 -37			CC73GCH1H120J CC73GCH1H080D CK73GB1H102K CC73GCH1H050C CK73GB1H102K	CHIP C 12PF J CHIP C 8PF D CHIP C 1000PF K CHIP C 5PF C CHIP C 1000PF K		

L:Scandinavia

K:USA

P:Canada

Y:PX(Far East, Hawaii)


T:England

E:Europe

Y:AAFES(Europe)

X:Australia

M:Other Areas

 indicates safety critical components.

## PARTS LIST

\* New Parts

Parts without Parts No. are not supplied.

Les articles non mentionnes dans le Parts No. ne sont pas fournis.

Teile ohne Parts No. werden nicht geliefert.

VCO (X58-4010-00)

DDS (X58-4020-00)

Ref. No. 参照番号	Address 位置	New Parts 新	Parts No. 部品番号	Description 部品名 / 規格	Desti- nation 仕 向	Re- marks 備考
TC1 -3			C05-0375-05	TRIMMER CAPACITOR		
CN1			E40-5201-05	PIN CONNECTOR (7P)		
-		*	F10-2060-04	SHIELDING COVER		
-		*	F10-2061-04	SHIELDING CASE		
-		*	G13-1395-04	CUSHION		
L1			L40-6882-48	SMALL FIXED INDUCTOR (0.68UH)		
L2		*	L34-2360-05	COIL		
L3			L40-6882-48	SMALL FIXED INDUCTOR (0.68UH)		
L4		*	L34-2359-05	COIL		
L5			L40-6882-48	SMALL FIXED INDUCTOR (0.68UH)		
L6		*	L34-2359-05	COIL		
-			N30-2606-46	PAN HEAD MACHIN SCREW		
R1			RK73GB1J682J	CHIP R 6.8K J 1/16W		
R2			RK73GB1J271J	CHIP R 270 J 1/16W		
R3			RK73GB1J332J	CHIP R 3.3K J 1/16W		
R4			RK73GB1J682J	CHIP R 6.8K J 1/16W		
R5			RK73GB1J271J	CHIP R 270 J 1/16W		
R6			RK73GB1J332J	CHIP R 3.3K J 1/16W		
R7			RK73GB1J682J	CHIP R 6.8K J 1/16W		
R8			RK73GB1J271J	CHIP R 270 J 1/16W		
R9 ,10			RK73GB1J332J	CHIP R 3.3K J 1/16W		
R11			RK73GB1J560J	CHIP R 56 J 1/16W		
R12 ,13			RK73GB1J472J	CHIP R 4.7K J 1/16W		
R14			RK73GB1J471J	CHIP R 470 J 1/16W		
R15 -17			RK73GB1J472J	CHIP R 4.7K J 1/16W		
D1			1SV166	DIODE		
D2			RLS135	DIODE		
D3			1SV166	DIODE		
D4			RLS135	DIODE		
D5			1SV166	DIODE		
D6			RLS135	DIODE		
Q1			2SK508NV(K52)	FET		
Q2			DTC114EU	DIGITAL TRANSISTOR		
Q3			2SK508NV(K52)	FET		
Q4			DTC114EU	DIGITAL TRANSISTOR		
Q5			2SK508NV(K52)	FET		
Q6			DTC114EU	DIGITAL TRANSISTOR		
Q7			2SC2714(Y)	TRANSISTOR		
<b>DDS (X58-4020-00)</b>						
C1			CK73FB1E223K	CHIP C 0.022UF K		
C2			CK73FB1H102K	CHIP C 1000PF K		
C3 ,4			C92-0007-05	CHIP TAN 2.2UF 10WV		
C5			CK73FB1H102K	CHIP C 1000PF K		
C6			CC73FCH1H181J	CHIP C 180PF J		
C7			CC73FCH1H100D	CHIP C 10PF D		
C8			CC73FCH1H221J	CHIP C 220PF J		
C9			CC73FCH1H220J	CHIP C 22PF J		
C10			CC73FCH1H151J	CHIP C 150PF J		
C12 ,13			CC73FCH1H270J	CHIP C 27PF J		
C14 -17			CC73FCH1H101J	CHIP C 100PF J		

L:Scandinavia

K:USA

P:Canada

Y:PX(Far East, Hawaii)

T:England

E:Europe

Y:AAFES(Europe)

X:Australia

M:Other Areas

△ indicates safety critical components.