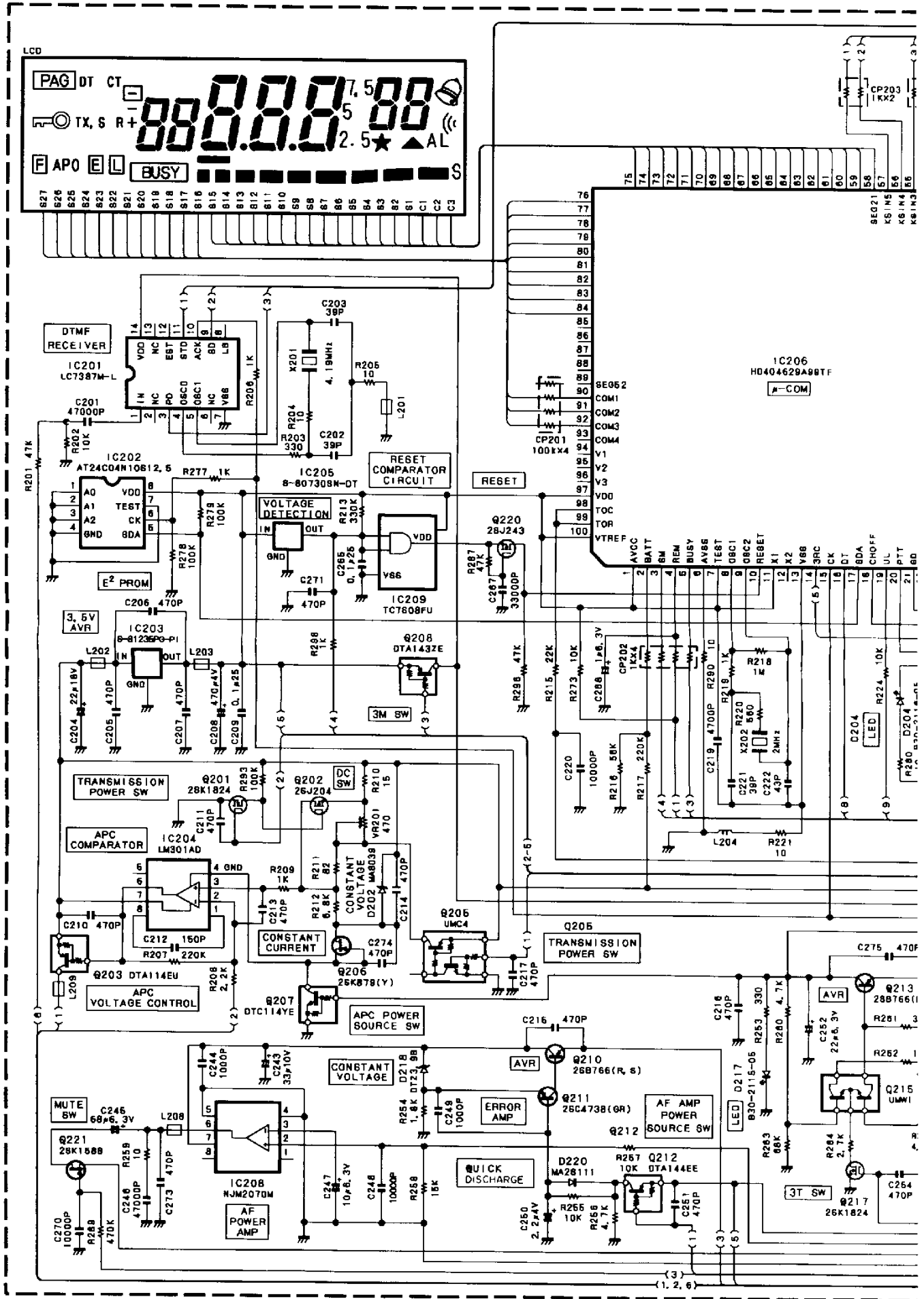
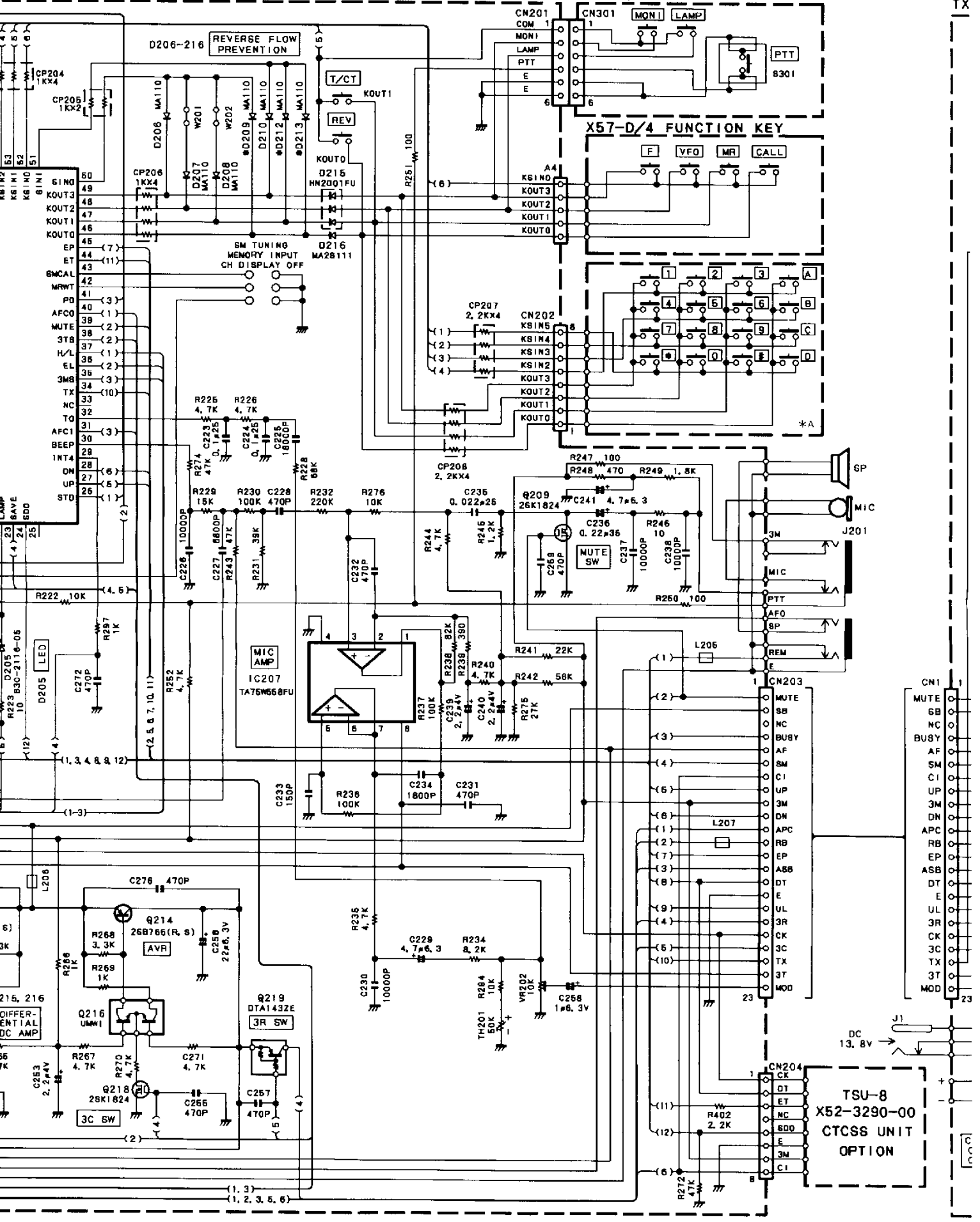


TH-42A/42AT/42E SCHEMATIC DIAGRAM



Scanned by IW1AXR
 Downloaded by
 Amateur Radio Directory



Connector pinout for CN1:

MUTE	O
SB	O
NC	O
BUSY	O
AF	O
SM	O
CI	O
UP	O
3M	O
DN	O
APC	O
RB	O
EP	O
ASB	O
DT	O
E	O
UL	O
3R	O
CK	O
3C	O
TX	O
3T	O
MOD	O

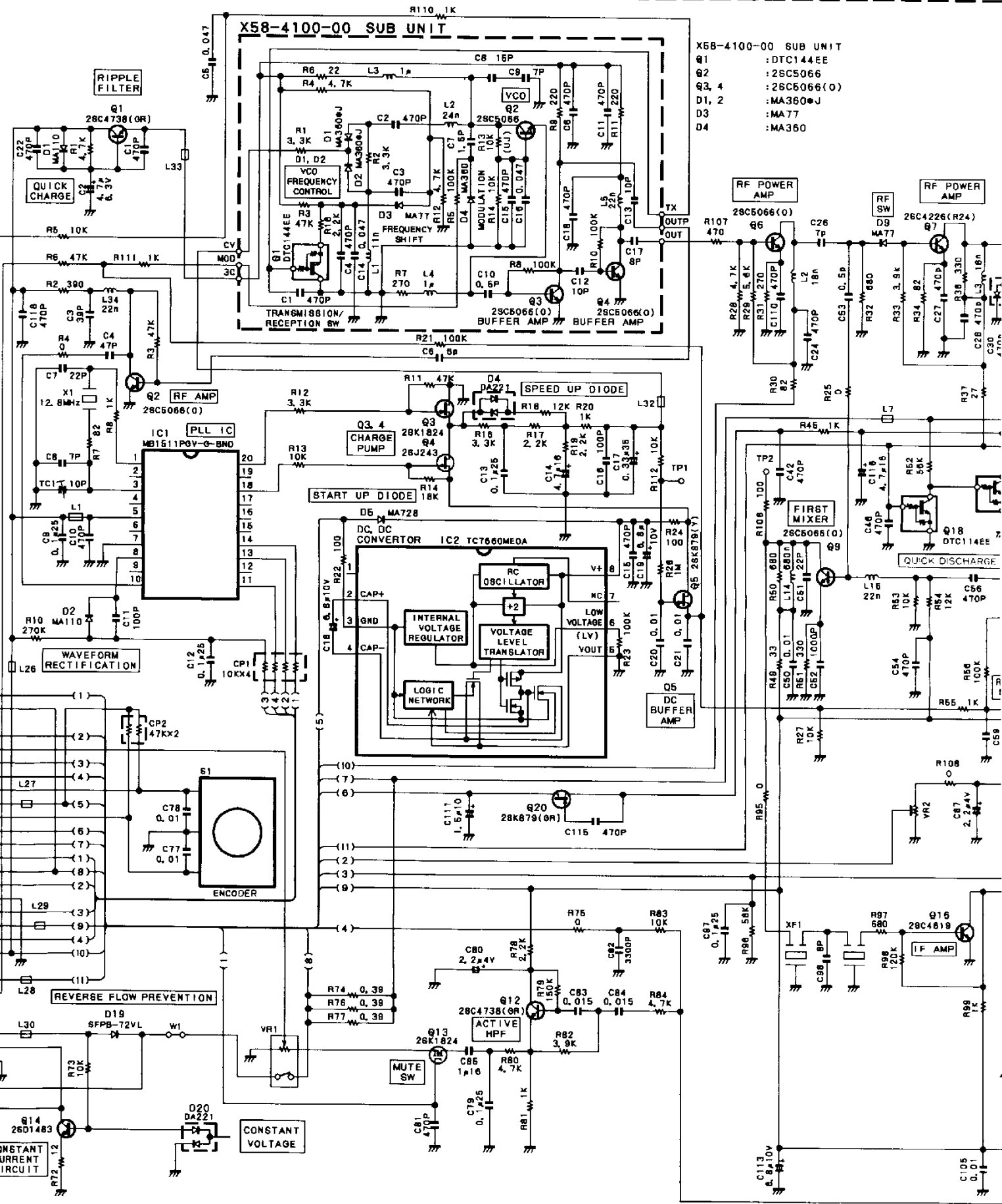
Connector pinout for CN204:

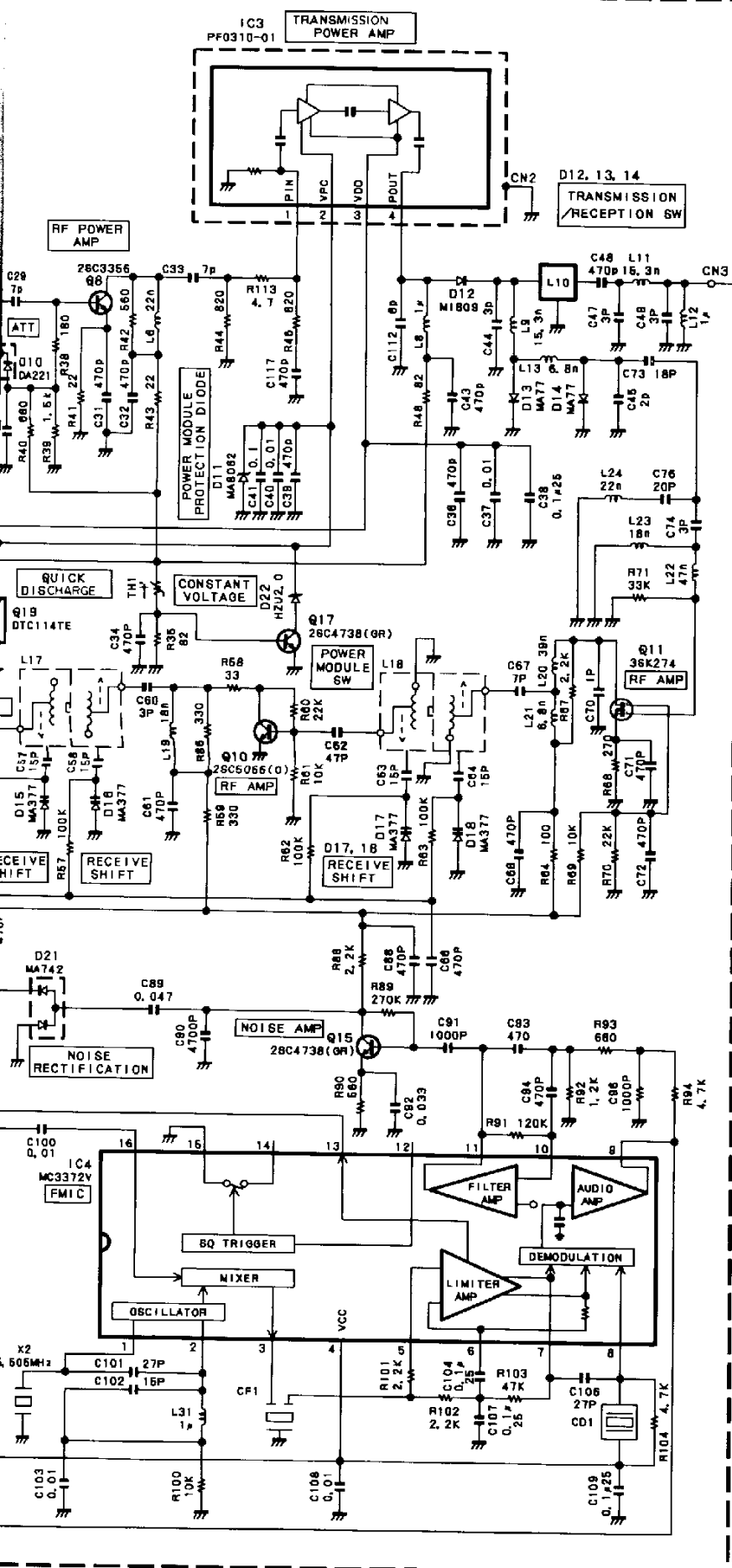
CK	O
DT	O
ET	O
NC	O
500	O
E	O
3M	O
CI	O

DC 13.8V

J1

TSU-8 X52-3290-00 CTCSS UNIT OPTION





		0-xx	D208	D209	D212	D213	#A
TH-42AT	K	0-11	YES	YES	NO	NO	YES
TH-42A	M	0-21	YES	NO	YES	YES	OPTION
TH-42AT	M	0-21	YES	NO	YES	YES	YES
TH-42A	M2	0-22	NO	NO	YES	YES	OPTION
TH-42AT	M2	0-22	NO	NO	YES	YES	YES
TH-42E	E	2-71	YES	YES	YES	YES	OPTION
TH-42AT	E	2-71	YES	YES	YES	YES	YES
TH-42E	E2	2-72	YES	YES	NO	YES	OPTION
TH-42AT	E2	2-72	YES	YES	NO	YES	YES

- (A/4)
- IC1 : MB1511PFV-0-BND
 - IC2 : TC7660MEA
 - IC3 : S-AU57
 - IC4 : MC33372V

- D1, 2 : MA110
- D4, 10, 20 : DA221
- D5 : MA728
- D9, 13, 14 : MA77
- D11 : MA8082
- D12 : MI809
- D15, 16, 17, 18 : MA377
- D19 : SFPB-72VL
- D21 : MA742
- D22 : HZU2.0
- Q1, 12, 16, 17 : 25C4738(Q, R)
- Q2, 6, 9, 10 : 26C5066(O)
- Q3, 13 : 26K1824
- Q4 : 2SJ243
- Q5 : 25K879(Y)
- Q7 : 26C4226(R24)
- Q8 : 26C3356
- Q11 : 36K274
- Q14 : 26D1483
- Q16 : 25C4619
- Q18 : DTC114EE
- Q19 : DTC114TE
- Q20 : 25K879(9R)

- (B/4)
- IC201 : LC7387M-L
 - IC202 : AT24C04N10S12.6
 - IC203 : S-81236PG-P1
 - IC204 : LM301AD
 - IC205 : S-80736N-DT
 - IC206 : HD404629A99TF
 - IC207 : TA75W58FU
 - IC208 : NJM2Q70M
 - IC209 : TC7808FU

- Q201, 209, 217, 218 : 26K1824
- Q202 : 26J204
- Q203 : DTA114EU
- Q205 : UNCA
- Q206 : 25K879(Y)
- Q207 : DTC114YE
- Q208, 219 : DTA1432E
- Q210, 213, 214 : 26B766(R, 6)
- Q211 : 26C4738(9R)
- Q212 : DTA144EE
- Q215, 216 : UMW1
- Q220 : 26J243
- Q221 : 26K1588
- D202 : MA8039
- D204, D205 : B30-2116-05
- D206-210, 212, 213 : MA110
- D215 : HM2D01FU
- D216, 220 : MA28111
- D217 : B30-2115-05
- D218 : DT23, 9(B)

Scanned by IW1AXR
 Downloaded by
 Amateur Radio Directory

Note: Circuits are subject to change without notice due to advancements in technology.