

ICOM

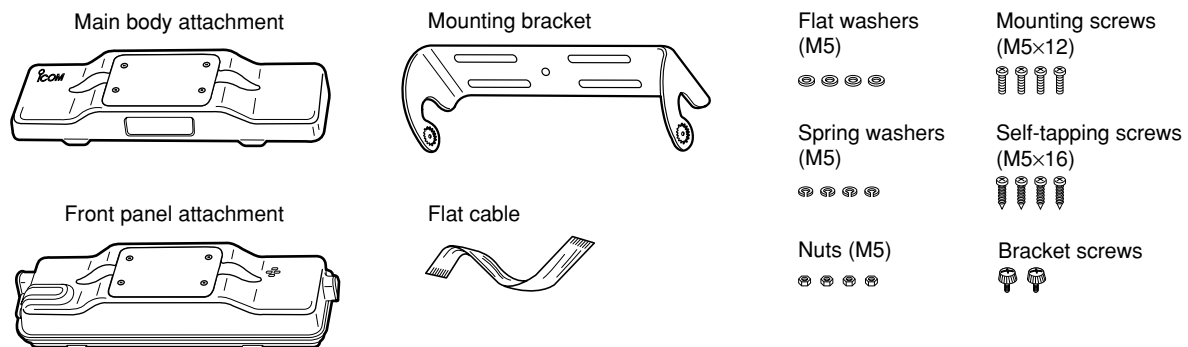
SEPARATION KIT RMK-3

INSTRUCTIONS

Thank you for purchasing the **RMK-3** SEPARATION KIT. The RMK-3 allows you to install the mobile transceiver front panel separately from the main body for added installation convenience and operation. Use either the optional OPC-607, OPC-608 or OPC-609 SEPARATION CABLE with the RMK-3.

• In this instruction, the illustration is described using the IC-F5060 series transceiver.

Supplied accessories

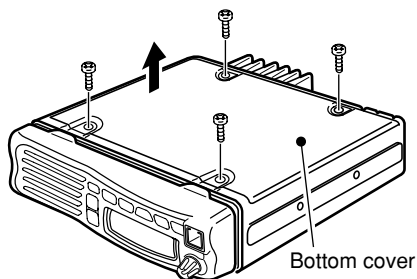


Separation

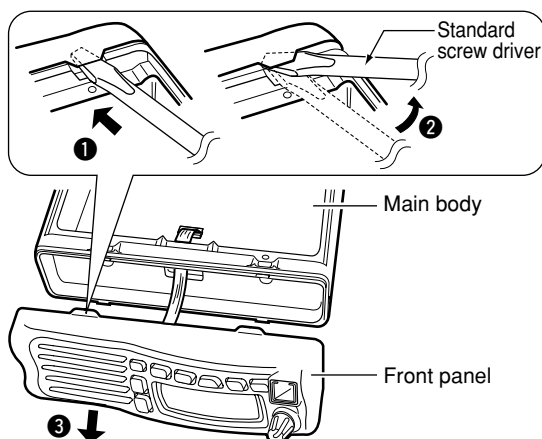
CAUTION! To avoid damage to the transceiver, turn the power OFF before separating the front panel from the main body.

The optional OPC-607 (3 m; 9.84 ft), OPC-608 (8 m; 26.3 ft) or OPC-609* (1.9 m; 6.3 ft) SEPARATION CABLE is required for installing the transceiver front panel and main body separately.
*For Europe version, only the OPC-609 is available.

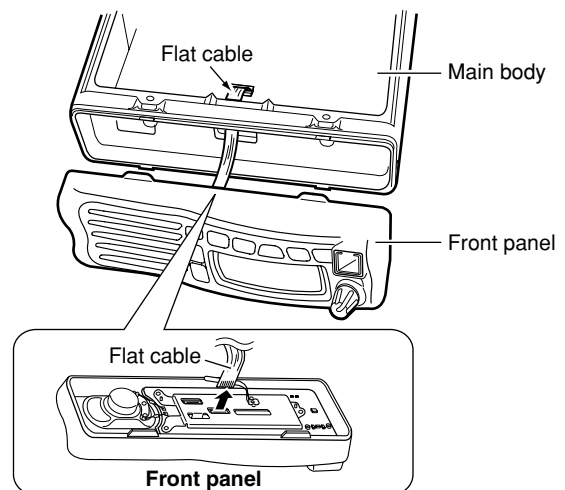
- Turn the transceiver's power OFF, then disconnect the DC power cable.
- Unscrew the 4 bottom screws, then remove the bottom cover from the transceiver in the direction of the arrow.



- Remove the front panel from the main body using a standard screw driver as shown below.

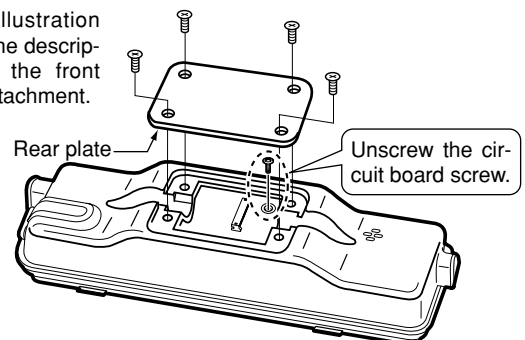


- Disconnect the flat cable OPC-1297A from the front panel.



- Unscrew the 4 rear plate screws, then remove the rear plates from both the front panel and main body attachments.

*This illustration shows the description for the front panel attachment.



➡ Continue to the back page.

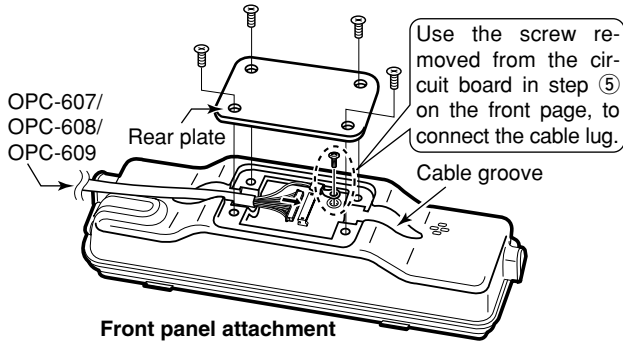
■ Attachment

For the front panel attachment:

- ① Connect the optional OPC-607, OPC-608 or OPC-609 to the front panel attachment as shown below.

After the cable connection, replace the removed rear plate and the 4 screws.

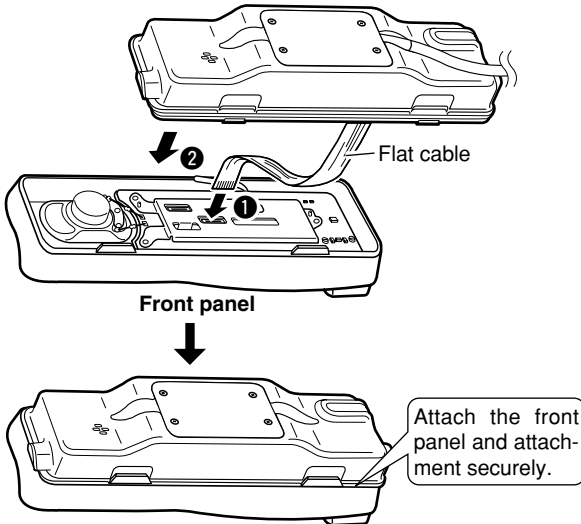
- The optional cable can be inserted into either the left or right grooves as desired on the back of the attachment.



- ② Connect the flat cable (1) as shown below, and then attach the front panel and the attachment (2).

- Ensure the flat cable is inserted correctly, and not upside down.

Front panel attachment

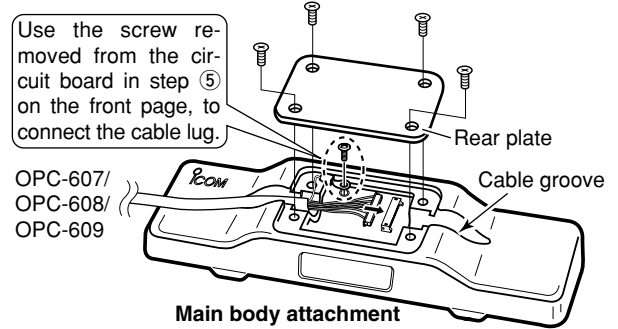


For the main body attachment:

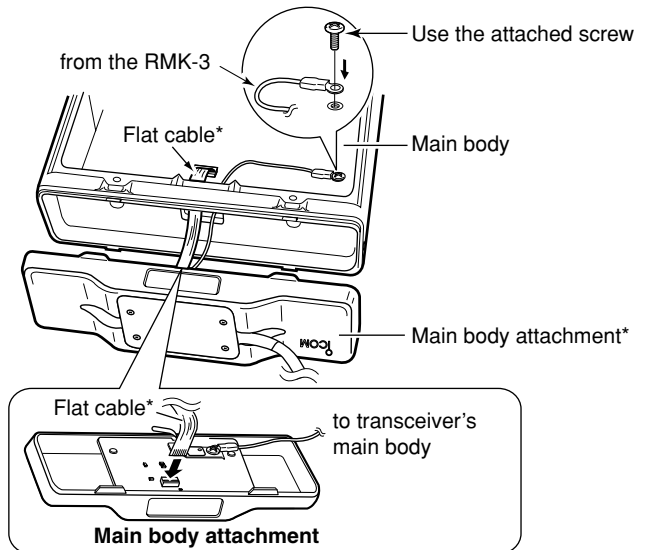
- ③ Connect the optional OPC-607, OPC-608 or OPC-609 to the main body attachment as shown below.

After the cable connection, replace the removed rear plate.

- The optional cable can be inserted into either the left or right grooves as desired on the back of the attachment.



- ④ Connect the supplied flat cable* and ground cable (coming from the RMK-3) as shown below.



*Ensure the flat cable and attachment are inserted/attached correctly, and not upside down.

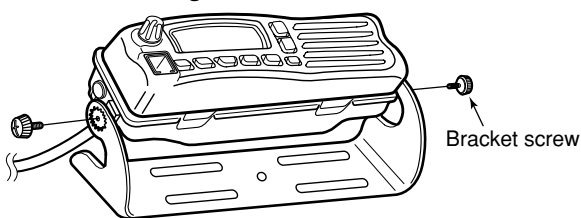
- ⑤ Replace the removed bottom cover and 4 screws, then reconnect the DC power cable.

■ Mounting

2 types of mounting styles are available— one is overhead mounting, and other one is on-board mounting.

Mount the front panel and the attachment securely with the 4 supplied screws to a thick surface which can support more than 1.5 kg. (Overhead mounting)

On-board mounting



Overhead mounting

