

Aug. 2009



SERVICE MANUAL ADDENDUM

IC-F9521S IC-F9521T IC-F9523S IC-F9523T

CONTENTS

PARTS LIST	1
BOARD LAYOUTS	14
VOLTAGE DIAGRAM	16

PARTS LIST

[FRONT-A UNIT] (For [F9521S], [F9523S])

REF NO.	PARTS NO.	DESCRIPTION	M.	H/V LOCATION
IC2	1110005771	S.IC S-80942CNMC-G9CT2G	B	82/29.1
IC3	1140010771	S.IC HD64F3687FPV(EMPTY)	B	73.5/21.4
IC4	1130007111	S.IC TC7W04FU(TE12L,F)	B	63.8/28.7
IC5	1130013240	S.IC TC75S51FU(TE85L,F)	B	26.5/15.2
IC6	1110005350	S.IC NJM2870F05-TE1-#FZZB	B	83.5/5.8
IC7	1130009121	S.IC S1D15206F00A200	B	40.6/21.1
IC8	1130009981	S.IC TC7W53FK(TE85L,F)	B	20.1/11.6
IC9	1110005310	S.IC AN6123MS	B	28.1/6.6
IC10	1130013240	S.IC TC75S51FU(TE85L,F)	B	20.1/6
Q1	1590001330	S.TRA DTA114EUA T106	B	60.5/32.7
Q2	1590000680	S.TRA DTC114EUA T106	B	63.9/24.2
Q3	1530002851	S.TRA 2SC4116-BL(TE85R,F)	B	67.7/8.9
Q4	1590001050	S.TRA DTC114TUA T106	B	70.6/8.9
Q5	1590001050	S.TRA DTC114TUA T106	B	70.1/11.4
Q6	1590001050	S.TRA DTC114TUA T106	B	100.3/12.1
Q7	1590001050	S.TRA DTC114TUA T106	B	102.9/12.1
Q8	1590001660	S.TRA XP4312(TX)	B	24.9/6.6
D1	1790001261	S.DIO MA2S077G0L	B	82.4/16.7
D4	1790001251	S.DIO MA2S1110GL	B	61.4/30.3
D5	1790000951	S.ZEN MAZ8056GML	B	22.7/28.7
D6	1790000951	S.ZEN MAZ8056GML	B	22.7/32.6
D7	1790000951	S.ZEN MAZ8056GML	T	19.3/16
D8	1790001251	S.DIO MA2S1110GL	B	86.8/12.3
D9	1750000130	S.DIO DA204U T106	B	59.2/10.1
D10	1750000130	S.DIO DA204U T106	B	56.7/10.1
D11	1750000130	S.DIO DA204U T106	B	53.1/10.1
D12	1790001251	S.DIO MA2S1110GL	B	69.6/29.5
X1	6050011720	S.XTA CR-764 SMD-49TB 19.6608 MHz <KDS>	B	86.9/20.5
L1	6200003640	S.COI MLF1608E 100K-T	B	16.3/9.8
R4	7030008010	S.RES ERJ2GEJ 123 X (12K)	B	83.2/15.5
R5	7030008010	S.RES ERJ2GEJ 123 X (12K)	B	82.8/18.1
R6	7030005160	S.RES ERJ2GEJ 105 X (1M)	B	82.8/21.3
R7	7030008010	S.RES ERJ2GEJ 123 X (12K)	B	81/18.1
R8	7030005530	S.RES ERJ2GEJ 100 X (10)	B	81.2/20.8
R9	7030005090	S.RES ERJ2GEJ 104 X (100K)	B	53.5/21.1
R10	7030010040	S.RES ERJ2GEJ-JPW	B	11.4/9.4
R12	7030005090	S.RES ERJ2GEJ 104 X (100K)	B	60/29.5
R14	7030005090	S.RES ERJ2GEJ 104 X (100K)	B	62.8/32.3
R15	7030005090	S.RES ERJ2GEJ 104 X (100K)	B	60/27.4
R16	7030007300	S.RES ERJ2GEJ 332 X (3.3K)	B	60/30.4
R18	7030005050	S.RES ERJ2GEJ 103 X (10K)	B	61.6/26.5
R19	7030009280	S.RES ERJ2GEJ 391 X	B	67.8/10.7
R20	7030005240	S.RES ERJ2GEJ 473 X (47K)	T	19.2/14.6
R21	7030005090	S.RES ERJ2GEJ 104 X (100K)	B	21.8/31.2
R22	7030009140	S.RES ERJ2GEJ 272 X (2.7K)	B	67.8/11.6
R24	7030005050	S.RES ERJ2GEJ 103 X (10K)	B	28.2/17
R25	7030009140	S.RES ERJ2GEJ 272 X (2.7K)	B	26.5/10.7
R26	7030007290	S.RES ERJ2GEJ 222 X (2.2K)	B	24.9/17
R28	7030005050	S.RES ERJ2GEJ 103 X (10K)	B	26.5/12.5
R29	7030005050	S.RES ERJ2GEJ 103 X (10K)	B	26.5/17
R30	7030005120	S.RES ERJ2GEJ 102 X (1K)	B	17.6/16.1
R31	7030005120	S.RES ERJ2GEJ 102 X (1K)	B	12.1/21.1
R32	7030005120	S.RES ERJ2GEJ 102 X (1K)	B	11.7/19.7
R33	7030009160	S.RES ERJ2GEJ 181 X (180)	B	50.9/4.8
R34	7030009160	S.RES ERJ2GEJ 181 X (180)	B	65.1/8.3
R35	7210003050	VAR EVU-F2KFK3 B14 (10KB)		
R36	7030009160	S.RES ERJ2GEJ 181 X (180)	B	63.3/9
R37	7030009160	S.RES ERJ2GEJ 181 X (180)	B	64.2/8.3
R38	7030005090	S.RES ERJ2GEJ 104 X (100K)	B	87.3/11.2
R39	7030005240	S.RES ERJ2GEJ 473 X (47K)	B	83.6/13.4
R40	7030005120	S.RES ERJ2GEJ 102 X (1K)	B	51.8/8.4
R41	7030005120	S.RES ERJ2GEJ 102 X (1K)	B	54.9/9
R42	7030005120	S.RES ERJ2GEJ 102 X (1K)	B	60.6/7.8
R43	7030005120	S.RES ERJ2GEJ 102 X (1K)	B	97.9/14
R44	7030005010	S.RES ERJ2GEJ 681 X (680)	B	104.8/12.5
R47	7030005050	S.RES ERJ2GEJ 103 X (10K)	B	71.8/30.1
R48	7030005090	S.RES ERJ2GEJ 104 X (100K)	B	74.6/29.8
R49	7030005090	S.RES ERJ2GEJ 104 X (100K)	B	75.5/29.8
R50	7030005090	S.RES ERJ2GEJ 104 X (100K)	B	76.4/29.8
R51	7030005090	S.RES ERJ2GEJ 104 X (100K)	B	77.3/29.8
R52	7030005090	S.RES ERJ2GEJ 104 X (100K)	B	78.2/29.8
R55	7510001730	S.THE ERTJOEP 473J	B	81.2/24.9
R56	7030005120	S.RES ERJ2GEJ 102 X (1K)	B	81.2/25.9
R57	7030003810	S.RES ERJ3GEVJ 125 V (1.2M)	B	57.9/33.2
R58	7030003810	S.RES ERJ3GEVJ 125 V (1.2M)	B	54.2/29.8
R59	7310005470	S.TRI EVM-3VSX50 BQ5 (474)	B	55/32.3
R60	7030005040	S.RES ERJ2GEJ 472 X (4.7K)	B	16.3/10.9
R61	7030005090	S.RES ERJ2GEJ 104 X (100K)	B	20.1/9.8
R62	7030004980	S.RES ERJ2GEJ 101 X (100)	B	26/4.4
R63	7030005160	S.RES ERJ2GEJ 105 X (1M)	B	28.1/4.4
R64	7030005050	S.RES ERJ2GEJ 103 X (10K)	B	26.5/9.8
R65	7030007290	S.RES ERJ2GEJ 222 X (2.2K)	B	26.5/11.6
R66	7030009290	S.RES ERJ2GEJ 562 X (5.6K)	B	28.1/9.8
R68	7030010040	S.RES ERJ2GEJ-JPW	B	26.5/8.9
R69	7030005050	S.RES ERJ2GEJ 103 X (10K)	B	71.8/29.1
R70	7410001130	S.ARR EXB28V102JX	B	65.2/19.9
R71	7410001130	S.ARR EXB28V102JX	B	65.6/17

[FRONT-A UNIT] (For [F9521S], [F9523S])

REF NO.	PARTS NO.	DESCRIPTION	M.	H/V LOCATION
R72	7030005090	S.RES ERJ2GEJ 104 X (100K)	B	82.9/25.9
R73	7030005050	S.RES ERJ2GEJ 103 X (10K)	B	21.8/30.1
R74	7030005090	S.RES ERJ2GEJ 104 X (100K)	B	23.3/12.5
R75	7030005090	S.RES ERJ2GEJ 104 X (100K)	B	51.1/23.4
R76	7030005090	S.RES ERJ2GEJ 104 X (100K)	B	73.7/29.8
R77	7030005090	S.RES ERJ2GEJ 104 X (100K)	B	20.1/8.9
R85	7030005090	S.RES ERJ2GEJ 104 X (100K)	B	18.5/7.8
R86	7030005090	S.RES ERJ2GEJ 104 X (100K)	B	20.1/7.8
R88	7030005050	S.RES ERJ2GEJ 103 X (10K)	B	21/4
R89	7030005050	S.RES ERJ2GEJ 103 X (10K)	B	20.1/4
C10	4030016930	S.CER ECJ0EB1A104K	B	81.9/18.1
C11	4030017030	S.CER ECJ0EB1A273K	B	82.5/31.4
C12	4030017630	S.CER ECJ0EC1H120J	B	83.7/21.3
C13	4030017580	S.CER ECJ0EC1H060C	B	83.7/19.7
C14	4030017640	S.CER ECJ0EC1H150J	B	83.7/18.1
C15	4030016930	S.CER ECJ0EB1A104K	B	81.6/15.5
C16	4030016790	S.CER ECJ0EB1C103K	B	82.9/24.9
C17	4030016930	S.CER ECJ0EB1A104K	B	81.2/23.2
C18	4030017420	S.CER ECJ0EC1H470J	B	100.7/8.8
C28	4030017460	S.CER ECJ0EB1E102K	B	60/26.5
C30	4030016930	S.CER ECJ0EB1A104K	B	83/8.5
C31	4030017460	S.CER ECJ0EB1E102K	B	90.9/3.1
C33	4030017460	S.CER ECJ0EB1E102K	B	11.1/21.1
C35	4030017420	S.CER ECJ0EC1H470J	B	91.5/4.7
C36	4030017460	S.CER ECJ0EB1E102K	B	23.8/30.1
C37	4030017420	S.CER ECJ0EC1H470J	B	7.8/9.4
C38	4030017420	S.CER ECJ0EC1H470J	B	88.9/11.2
C39	4030017460	S.CER ECJ0EB1E102K	B	96.1/10.7
C41	4030017420	S.CER ECJ0EC1H470J	B	94.2/11.5
C42	4030017420	S.CER ECJ0EC1H470J	B	13.2/25.2
C43	4030017460	S.CER ECJ0EB1E102K	B	24.6/15.6
C44	4030017420	S.CER ECJ0EC1H470J	B	90.5/11.2
C45	4030018860	S.CER ECJ0EB0J105K	B	18.5/9.8
C46	4030017420	S.CER ECJ0EC1H470J	B	92/12.8
C47	4030017420	S.CER ECJ0EC1H470J	B	17.6/15.2
C48	4030017460	S.CER ECJ0EB1E102K	B	28.5/15.2
C49	4030016790	S.CER ECJ0EB1C103K	B	26.5/17.9
C50	4550007080	S.TAN TEESVA 1C 106M8R	B	24.8/20.8
C51	4030017460	S.CER ECJ0EB1E102K	B	11.7/18.2
C52	4030017420	S.CER ECJ0EC1H470J	B	24.9/12.5
C53	4030016930	S.CER ECJ0EB1A104K	B	85.8/5.8
C54	4550007080	S.TAN TEESVA 1C 106M8R	B	80.8/5.8
C55	4030016930	S.CER ECJ0EB1A104K	B	86.7/5.8
C56	4030016790	S.CER ECJ0EB1C103K	B	82.1/8.5
C57	4550007080	S.TAN TEESVA 1C 106M8R	B	84.6/10.1
C58	4030017730	S.CER ECJ0EB1E471K	B	101.9/14
C59	4030017730	S.CER ECJ0EB1E471K	B	100.1/14
C60	4030016930	S.CER ECJ0EB1A104K	B	81.2/26.9
C61	4030016930	S.CER ECJ0EB1A104K	B	49.6/33.7
C62	4030016930	S.CER ECJ0EB1A104K	B	51.2/33.7
C63	4030016930	S.CER ECJ0EB1A104K	B	51.2/32.8
C64	4030016930	S.CER ECJ0EB1A104K	B	51.1/31.6
C65	4030016930	S.CER ECJ0EB1A104K	B	52/31.6
C66	4030017490	S.CER C1608 JB 1A 105K-T	B	51.6/26.3
C67	4030017490	S.CER C1608 JB 1A 105K-T	B	51.6/24.8
C68	4030017460	S.CER ECJ0EB1E102K	B	50.7/21.7
C69	4030017460	S.CER ECJ0EB1E102K	B	87.6/5.8
C70	4030018920	S.CER ECJ0EB1H392K	B	26.5/13.4
C71	4030017460	S.CER ECJ0EB1E102K	B	21.7/9.8
C72	4550007080	S.TAN TEESVA 1C 106M8R	B	32.7/7.2
C73	4550007080	S.TAN TEESVA 1C 106M8R	B	32.6/5.1
C74	4030016930	S.CER ECJ0EB1A104K	B	24.9/9.8
C75	4030016930	S.CER ECJ0EB1A104K	B	28.1/8.9
C76	4030018860	S.CER ECJ0EB0J105K	B	24.9/10.7
C77	4030017420	S.CER ECJ0EC1H470J	B	78.1/32.2
C78	4030017420	S.CER ECJ0EC1H470J	B	79.7/32.2
C79	4030016930	S.CER ECJ0EB1A104K	B	24.9/11.6
C80	4030016930	S.CER ECJ0EB1A104K	B	19.2/4
C81	4030016930	S.CER ECJ0EB1A104K	B	18.5/8.9
J1	6510024522	S.CON 12FLT-SM2-TB(LF)(SN)(M)	B	91.2/8.5
J2	6450002210	CON 3017-8821 <KIN>	B	
J4	6510022021	S.CON 14FLT-SM2-TB(LF)(SN)	B	56.6/24.8
DS1	5030002811	LCD L4-0013TVY-2	T	49.9/6.5
DS5	5040002310	S.LED SML-311YTT86	T	35.4/6.5
DS6	5040002310	S.LED SML-311YTT86	T	20.9/6.5
DS7	5040002310	S.LED SML-311YTT86	T	93.4/6.5
DS8	5040002310	S.LED SML-311YTT86	T	78.9/6.5
DS9	5040002310	S.LED SML-311YTT86	T	82.1/27
DS11	5040002310	S.LED SML-311YTT86	T	72.1/27
DS12	5040002310	S.LED SML-311YTT86	T	62.1/27
DS13	5040002310	S.LED SML-311YTT86	T	52.1/27
DS14	5040002310	S.LED SML-311YTT86	T	42.1/27
DS15	5040002310	S.LED SML-311YTT86	T	32.1/27
DS16	5040002310	S.LED SML-311YTT86	T	105.6/14
DS17	5040002930	S.LED SML-512MWT86	T	97.6/14
DS18	5040002990	S.LED SML-512UWT86	T	64.4/6.5
DS26	5040002310	S.LED SML-311YTT86	T	
S9	2250000511	ENC RH70N1037E20-13F-2781	B	

M.=Mounted side (T: Mounted on the Top side, B: Mounted on the Bottom side)
S.=Surface mount

[FRONT-A UNIT] (For [F9521S], [F9523S])

[FRONT-B UNIT] (For [F9521T], [F9523T])

REF NO.	PARTS NO.	DESCRIPTION	M.	H/V LOCATION
SP1	2510001290	SPE C062SB504-11 <OSC>		
W1	8900013692	CAB OPC-1425A-1(P0.5,N12,L92) <TJM>		
W2	8900013700	CAB OPC-1426		
EP1	8930065150	LCD SRCN-2781-SP-N-W (SHJ)		

REF NO.	PARTS NO.	DESCRIPTION	M.	H/V LOCATION
IC2	1110005771	S.IC S-80942CNMC-G9CT2G	B	84.8/29.1
IC3	1140010771	S.IC HD64F3687FPV(EMPTY)	B	76.3/21.4
IC4	1130007111	S.IC TC7W04FU(TE12L,F)	B	66.5/28.7
IC5	1130013240	S.IC TC75S51FU(TE85L,F)	B	29.1/15.1
IC6	1110005350	S.IC NJM2870F05-TE1-#FZZB	B	84.1/5.5
IC7	1130009121	S.IC S1D15206F00A200	B	43.3/21.1
IC8	1130009981	S.IC TC7W53FK(TE85L,F)	B	20.4/14.9
IC9	1110005310	S.IC AN6123MS	B	31.6/6.6
IC10	1130013240	S.IC TC75S51FU(TE85L,F)	B	25/6.1
Q1	1590001330	S.TRA DTA114EUA T106	B	63.5/32.8
Q2	1590000680	S.TRA DTC114EUA T106	B	66.6/24.2
Q3	1530002851	S.TRA 2SC4116-BL(TE85R,F)	B	70.4/9.4
Q4	1590001050	S.TRA DTC114TUA T106	B	73.4/9.4
Q5	1590001050	S.TRA DTC114TUA T106	B	73.4/12.1
Q6	1590001050	S.TRA DTC114TUA T106	B	103/12.1
Q7	1590001050	S.TRA DTC114TUA T106	B	105.6/12.1
Q8	1590001660	S.TRA XP4312(TX)	B	28.4/6.1
D1	1790001261	S.DIO MA2S077G0L	B	85.1/16.7
D4	1790001251	S.DIO MA2S1110GL	B	64.1/30.4
D5	1790000951	S.ZEN MAZ8056GML	B	24/28.5
D6	1790000951	S.ZEN MAZ8056GML	B	24/32.2
D7	1790000951	S.ZEN MAZ8056GML	B	22.1/17.7
D8	1790001251	S.DIO MA2S1110GL	B	87.5/12.7
D9	1750000130	S.DIO DA204U T106	B	62.9/9.9
D10	1750000130	S.DIO DA204U T106	B	60.4/9.9
D11	1750000130	S.DIO DA204U T106	B	56.8/9.9
D12	1790001251	S.DIO MA2S1110GL	B	72.3/29.5
X1	6050011720	S.XTA CR-764 SMD-49TB 19.6608 MHz <KDS>	B	89.6/20.5
L1	6200003640	S.COI MLF1608E 100K-T	B	17.6/14.8
R4	7030008010	S.RES ERJ2GEJ 123 X (12K)	B	85.9/15.6
R5	7030008010	S.RES ERJ2GEJ 123 X (12K)	B	85.5/18.1
R6	7030005160	S.RES ERJ2GEJ 105 X (1M)	B	85.5/21.3
R7	7030008010	S.RES ERJ2GEJ 123 X (12K)	B	83.7/18.1
R8	7030005530	S.RES ERJ2GEJ 100 X (10)	B	83.9/20.8
R9	7030005090	S.RES ERJ2GEJ 104 X (100K)	B	56.2/21.1
R10	7030010040	S.RES ERJ2GEJ-JPW	B	11.4/9.5
R12	7030005090	S.RES ERJ2GEJ 104 X (100K)	B	62.7/29.6
R14	7030005090	S.RES ERJ2GEJ 104 X (100K)	B	65.5/32.2
R15	7030005090	S.RES ERJ2GEJ 104 X (100K)	B	62.7/27.5
R16	7030007300	S.RES ERJ2GEJ 332 X (3.3K)	B	62.7/30.6
R18	7030005050	S.RES ERJ2GEJ 103 X (10K)	B	64.3/26.5
R19	7030009280	S.RES ERJ2GEJ 391 X	B	70/11.2
R20	7030005240	S.RES ERJ2GEJ 473 X (47K)	T	21.1/14.5
R21	7030005090	S.RES ERJ2GEJ 104 X (100K)	B	23.2/30.8
R22	7030009140	S.RES ERJ2GEJ 272 X (2.7K)	B	71.6/11.2
R24	7030005050	S.RES ERJ2GEJ 103 X (10K)	B	31.5/16.9
R25	7030009140	S.RES ERJ2GEJ 272 X (2.7K)	B	29.1/10.6
R26	7030007290	S.RES ERJ2GEJ 222 X (2.2K)	B	28.3/17.8
R28	7030005050	S.RES ERJ2GEJ 103 X (10K)	B	29.1/12.4
R29	7030005050	S.RES ERJ2GEJ 103 X (10K)	B	29.9/16.9
R30	7030005120	S.RES ERJ2GEJ 102 X (1K)	B	20.4/16.7
R31	7030005120	S.RES ERJ2GEJ 102 X (1K)	B	12.2/21.6
R32	7030005120	S.RES ERJ2GEJ 102 X (1K)	B	11.7/20.3
R33	7030007280	S.RES ERJ2GEJ 331 X (330)	B	104.3/34.6
R34	7030004980	S.RES ERJ2GEJ 101 X (100)	B	121.2/29.9
R35	7210003050	VAR EVU-F2KFK3 B14 (10KB)		
R36	7030004980	S.RES ERJ2GEJ 101 X (100)	B	89.4/28.1
R37	7030004980	S.RES ERJ2GEJ 101 X (100)	B	89.4/29.1
R38	7030005090	S.RES ERJ2GEJ 104 X (100K)	B	87.5/11.4
R39	7030005240	S.RES ERJ2GEJ 473 X (47K)	B	85.4/12.7
R40	7030005120	S.RES ERJ2GEJ 102 X (1K)	B	55/8.9
R41	7030005120	S.RES ERJ2GEJ 102 X (1K)	B	58.6/8.9
R42	7030005120	S.RES ERJ2GEJ 102 X (1K)	B	63.4/7.8
R43	7030005120	S.RES ERJ2GEJ 102 X (1K)	B	100.4/13.1
R44	7030005010	S.RES ERJ2GEJ 681 X (680)	B	109/12.1
R48	7030005090	S.RES ERJ2GEJ 104 X (100K)	B	77.4/30
R49	7030005090	S.RES ERJ2GEJ 104 X (100K)	B	78.3/30
R50	7030005090	S.RES ERJ2GEJ 104 X (100K)	B	79.2/30
R51	7030005090	S.RES ERJ2GEJ 104 X (100K)	B	80.1/30
R52	7030005090	S.RES ERJ2GEJ 104 X (100K)	B	81/30
R55	7510001730	S.THE ERTJOEP 473J	B	83.9/24.9
R56	7030005120	S.RES ERJ2GEJ 102 X (1K)	B	83.9/25.9
R57	7030003810	S.RES ERJ3GEYJ 125 V (1.2M)	B	60.7/33.2
R58	7030003810	S.RES ERJ3GEYJ 125 V (1.2M)	B	56.9/29.8
R59	7310005470	S.TRI EVM-3VSX50 BQ5 (474)	B	57.8/32.3
R60	7030005040	S.RES ERJ2GSEJ 472 X (4.7K)	B	17.2/13
R61	7030005090	S.RES ERJ2GEJ 104 X (100K)	B	20.4/13
R62	7030004980	S.RES ERJ2GEJ 101 X (100)	B	30.7/4.4
R63	7030005160	S.RES ERJ2GEJ 105 X (1M)	B	32.4/4.4
R64	7030005050	S.RES ERJ2GEJ 103 X (10K)	B	29.1/9.7
R65	7030007290	S.RES ERJ2GEJ 222 X (2.2K)	B	29.1/11.5
R66	7030009290	S.RES ERJ2GEJ 562 X (5.6K)	B	30.7/9.7
R68	7030010040	S.RES ERJ2GEJ-JPW	B	29.1/8.8
R70	7410001130	S.ARR EXB28V102JX	B	67.9/19.9
R71	7410001130	S.ARR EXB28V102JX	B	68.3/17
R72	7030005090	S.RES ERJ2GEJ 104 X (100K)	B	85.6/25.9
R73	7030005050	S.RES ERJ2GEJ 103 X (10K)	B	23.2/29.9
R74	7030005090	S.RES ERJ2GEJ 104 X (100K)	B	25.9/12.4
R75	7030005090	S.RES ERJ2GEJ 104 X (100K)	B	53.8/23.4
R76	7030005090	S.RES ERJ2GEJ 104 X (100K)	B	76.5/30
R77	7030005090	S.RES ERJ2GEJ 104 X (100K)	B	24.2/9.7
R80	7030004980	S.RES ERJ2GEJ 101 X (100)	B	121.9/11.6
R81	7030004980	S.RES ERJ2GEJ 101 X (100)	B	67.8/4.3

M.=Mounted side (T: Mounted on the Top side, B: Mounted on the Bottom side)
S.=Surface mount

[FRONT-B UNIT] (For [F9521T], [F9523T])

REF NO.	PARTS NO.	DESCRIPTION	M.	H/V LOCATION
R82	7030004980	S.RES ERJ2GEJ 101 X (100)	B	53.7/4.8
R83	7030005090	S.RES ERJ2GEJ 104 X (100K)	B	74.1/29.5
R84	7030005090	S.RES ERJ2GEJ 104 X (100K)	B	75/29.5
R85	7030005090	S.RES ERJ2GEJ 104 X (100K)	B	24.2/7.9
R86	7030005090	S.RES ERJ2GEJ 104 X (100K)	B	25.8/7.9
R88	7030005050	S.RES ERJ2GEJ 103 X (10K)	B	25.9/4
R89	7030005050	S.RES ERJ2GEJ 103 X (10K)	B	25/4
C10	4030016930	S.CER ECJ0EB1A104K	B	84.6/18.1
C11	4030017030	S.CER ECJ0EB1A273K	B	84.8/31.3
C12	4030017630	S.CER ECJ0EC1H120J	B	86.4/21.3
C13	4030017580	S.CER ECJ0EC1H060C	B	86.4/19.7
C14	4030017640	S.CER ECJ0EC1H150J	B	86.4/18.1
C15	4030016930	S.CER ECJ0EB1A104K	B	84.3/15.6
C16	4030016790	S.CER ECJ0EB1C103K	B	85.6/24.9
C17	4030016930	S.CER ECJ0EB1A104K	B	83.9/23.2
C18	4030017420	S.CER ECJ0EC1H470J	B	103.4/8.8
C28	4030017460	S.CER ECJ0EB1E102K	B	62.7/26.5
C30	4030016930	S.CER ECJ0EB1A104K	B	82.9/8.6
C31	4030017460	S.CER ECJ0EB1E102K	B	92.5/4.2
C33	4030017460	S.CER ECJ0EB1E102K	B	11.3/21.6
C35	4030017420	S.CER ECJ0EC1H470J	B	92.5/5.1
C36	4030017460	S.CER ECJ0EB1E102K	B	24.8/29.9
C37	4030017420	S.CER ECJ0EC1H470J	B	7.9/9.5
C38	4030017420	S.CER ECJ0EC1H470J	B	89.1/11.4
C39	4030017460	S.CER ECJ0EB1E102K	B	96/10.5
C41	4030017420	S.CER ECJ0EC1H470J	B	93.9/11.3
C42	4030017420	S.CER ECJ0EC1H470J	B	13.3/25
C43	4030017460	S.CER ECJ0EB1E102K	B	28.3/16.9
C44	4030017420	S.CER ECJ0EC1H470J	B	90.7/11.4
C45	4030018860	S.CER ECJ0EB0J105K	B	18.8/13
C46	4030017420	S.CER ECJ0EC1H470J	B	94.7/12.8
C47	4030017420	S.CER ECJ0EC1H470J	T	19.6/14.5
C48	4030017460	S.CER ECJ0EB1E102K	B	31.1/15.1
C49	4030016790	S.CER ECJ0EB1C103K	B	29.9/17.8
C50	4550007080	S.TAN TEESVA 1C 106M8R	B	27.5/20.8
C51	4030017460	S.CER ECJ0EB1E102K	B	11.7/19.3
C52	4030017420	S.CER ECJ0EC1H470J	B	27.5/12.4
C53	4030016930	S.CER ECJ0EB1A104K	B	86.4/5.5
C54	4550007080	S.TAN TEESVA 1C 106M8R	B	81.2/5.5
C55	4030016930	S.CER ECJ0EB1A104K	B	87.4/5.5
C56	4030016790	S.CER ECJ0EB1C103K	B	82.9/7.7
C57	4550007080	S.TAN TEESVA 1C 106M8R	B	85/9.7
C58	4030017730	S.CER ECJ0EB1E471K	B	104.6/14
C59	4030017730	S.CER ECJ0EB1E471K	B	102.8/14
C60	4030016930	S.CER ECJ0EB1A104K	B	83.9/26.9
C61	4030016930	S.CER ECJ0EB1A104K	B	52.4/33.7
C62	4030016930	S.CER ECJ0EB1A104K	B	53.9/33.7
C63	4030016930	S.CER ECJ0EB1A104K	B	53.9/32.8
C64	4030016930	S.CER ECJ0EB1A104K	B	58.8/31.6
C65	4030016930	S.CER ECJ0EB1A104K	B	54.8/31.6
C66	4030017490	S.CER C1608 JB 1A 105K-T	B	54.3/26.3
C67	4030017490	S.CER C1608 JB 1A 105K-T	B	54.3/24.8
C68	4030017460	S.CER ECJ0EB1E102K	B	53.4/21.7
C69	4030017460	S.CER ECJ0EB1E102K	B	88.4/5.5
C70	4030018920	S.CER ECJ0EB1H392K	B	29.1/13.3
C71	4030017460	S.CER ECJ0EB1E102K	B	22/13
C72	4550007080	S.TAN TEESVA 1C 106M8R	B	36.2/7.1
C73	4550007080	S.TAN TEESVA 1C 106M8R	B	36.2/5
C74	4030016930	S.CER ECJ0EB1A104K	B	27.5/9.7
C75	4030016930	S.CER ECJ0EB1A104K	B	30.7/8.8
C76	4030018860	S.CER ECJ0EB0J105K	B	27.5/10.6
C79	4030016930	S.CER ECJ0EB1A104K	B	27.5/11.5
C80	4030016930	S.CER ECJ0EB1A104K	B	24.1/4
C81	4030016930	S.CER ECJ0EB1A104K	B	24.2/8.8
J1	6510024522	S.CON 12FLT-SM2-TB(LF)(SN)(M)	B	90.9/8.5
J2	6450002210	S.CON 3017-8821 <KIN>	B	
J4	6510022021	S.CON 14FLT-SM2-TB(LF)(SN)	B	59.4/24.8
DS1	5030002811	LCD L4-0013TVY-2	T	104.3/22.5
DS2	5040002310	S.LED SML-311YTT86	T	104.3/34.5
DS3	5040002310	S.LED SML-311YTT86	T	23.6/6.5
DS7	5040002310	S.LED SML-311YTT86	T	123.5/30.4
DS8	5040002310	S.LED SML-311YTT86	T	139.8/30.4
DS9	5040002310	S.LED SML-311YTT86	T	156.1/30.4
DS10	5040002310	S.LED SML-311YTT86	T	84.9/27
DS11	5040002310	S.LED SML-311YTT86	T	74.9/27
DS12	5040002310	S.LED SML-311YTT86	T	64.9/27
DS13	5040002310	S.LED SML-311YTT86	T	54.9/27
DS14	5040002310	S.LED SML-311YTT86	T	44.9/27
DS15	5040002310	S.LED SML-311YTT86	T	34.9/27
DS16	5040002310	S.LED SML-311YTT86	T	108.3/14
DS17	5040002930	S.LED SML-512MW T86	T	100.3/14
DS18	5040002990	S.LED SML-512UWT86	T	123.5/10.4
DS19	5040002310	S.LED SML-311YTT86	T	139.8/10.4
DS20	5040002310	S.LED SML-311YTT86	T	156.1/10.4
DS21	5040002310	S.LED SML-311YTT86	T	67.1/6.5
DS22	5040002310	S.LED SML-311YTT86	T	81.6/6.5
DS23	5040002310	S.LED SML-311YTT86	T	52.6/6.5
DS24	5040002310	S.LED SML-311YTT86	T	38.1/6.5
DS25	5040002310	S.LED SML-311YTT86	T	96.1/6.5
DS26	5040002310	S.LED SML-311YTT86	T	
W1	8900013692	CAB OPC-1425A-(P0.5,N12,L92) <TJM>		
EP1	8930065150	LCD SRCN-2781-SP-N-W (SHJ)		

[MAIN UNIT]

REF NO.	PARTS NO.	DESCRIPTION	M.	H/V LOCATION
IC1	1110007260	S.IC NJM2734V-TE1-#ZZZB	B	72.4/28.1
IC4	1130010100	S.IC LMX2352TMX/NOBP	T	77.9/56.2
IC7	1110007260	S.IC NJM2734V-TE1-#ZZZB	T	102/69.1
IC9	1130012960	S.IC BU8872FS-E2	B	65.6/9.4
IC12	1110003491	S.IC TA31136FNG(D,EL)	T	25.5/22.8
IC15	1150002310	IC RA60H4047M1-101 [USA-01]		
	1150002310	IC RA60H4047M1-101 [EXP-01]		
	1150002310	IC RA60H4047M1-101 [USA-01]		
	1150002310	IC RA60H4047M1-101 [EXP-01]		
	1150002320	IC RA60H4452M1-101 [USA-02]		
	1150002320	IC RA60H4452M1-101 [EXP-02]		
	1150002320	IC RA60H4452M1-101 [USA-02]		
	1150002320	IC RA60H4452M1-101 [EXP-02]		
IC16	1130014000	S.IC ISL43110IHZ-T <MAC>	B	59/36.3
IC17	1130014000	S.IC ISL43110IHZ-T <MAC>	B	62.5/36.3
	1130014000	S.IC ISL43110IHZ-T <MAC>		
	1130014000	S.IC ISL43110IHZ-T <MAC>		
	1130014000	S.IC ISL43110IHZ-T <MAC>		
IC22	1110002751	S.IC TA75S01F(TE85R,F)	B	148.5/69.5
IC25	1110006221	S.IC AK2346P-E2/P	T	56/24.1
IC27	1110007290	S.IC AK2330P-L	T	78.5/39.7
IC30	1190002570	S.IC DAC084S085C1MM	T	35.5/67.6
IC31	1180000970	S.IC AN78L05M-(E1)	B	111.4/83.4
IC32	6910021150	S.DC XC9119D10AMR	B	138.3/52.5
IC35	1120003070	S.IC MAX3232E1PWR	T	101.3/96.9
IC36	1180001251	S.IC TA7808F(TE16L,Q)	B	124/78.4
IC37	1110002751	S.IC TA75S01F(TE85R,F)	T	53/87.4
IC38	1110003091	IC LA4425A-E		
IC39	1110005801	IC TA8225LQ		
IC40	1180002590	S.REG XC6204B332MR	B	131.3/56.8
IC41	1180002590	S.REG XC6204B332MR	B	139.3/77.4
IC42	1130008230	S.IC BU4053BCFV-E2	B	70.2/36.3
IC43	1130008230	S.IC BU4053BCFV-E2	T	75/27.6
IC44	1130013050	S.IC HD74LV2GT125AUSE-E	B	143.3/18.7
IC45	1130013050	S.IC HD74LV2GT125AUSE-E	B	143.3/23.7
IC46	1130013040	S.IC TC7WBD125AFK(T5L,F)	B	133.5/18.7
IC51	1110007240	S.IC S-8533A39AFT-TB-G	B	150.8/27.7
IC52	1130013240	S.IC TC75S51FU(TE85L,F)	B	134.2/77.7
IC603	1130014310	S.IC CS16LV20493HIP55-REEL <SEL>	T	112.8/44.7
IC606	1190002530	S.IC RX-8025NB	B	104.1/60.5
IC607	1130014140	S.IC EN29LV320AT-70BIP	T	114.8/35.1
IC608	1140014130	S.IC R5F61664N50FPV	B	114.3/39.8
IC609	1140014160	S.IC 24LC1025T-1/SM <SEL>	B	112.5/60.6
IC610	1110005731	S.IC S-80928CNMC-G8Y-G	T	125.9/44
IC611	1130013050	S.IC HD74LV2GT125AUSE-E	T	79.2/14.9
IC613	1130008811	S.IC TC7SH32FU(TE85L,F)	B	133.5/63.1
IC614	1130014200	S.IC TC7WPB307FK(TE85L,F)	B	136.7/18.7
IC616	1130014200	S.IC TC7WPB307FK(TE85L,F)	B	139.5/18.7
IC618	1130013960	S.IC TC74LCX08FK(EL,K)	T	121.1/44.7
IC620	1130014040	S.IC MCP23S17T-E/ML <SEL>	T	87/80.7
IC621	1130014040	S.IC MCP23S17T-E/ML <SEL>	T	89.8/66.7
IC622	1130014040	S.IC MCP23S17T-E/ML <SEL>	T	115.1/97
IC801	1140014120	S.IC TMS320VC5510AZGWA1	B	115.5/14
IC802	1130012910	S.IC AK4554VTP-E2/P	B	95.7/16.5
IC803	1110006230	S.IC NJM2711F-TE1-#ZZZB	T	115.4/26.7
IC804	1190002080	S.IC AD7476ARTZ-500RL7 <FE>	T	44.9/82.8
IC805	1110005290	S.IC NJM2115V-TE1-#ZZZB	B	93.3/25.2
IC806	1130014000	S.IC ISL43110IHZ-T <MAC>	B	100/25.2
IC807	1110006230	S.IC NJM2711F-TE1-#ZZZB	T	44.9/20.6
IC808	1180002590	S.REG XC6204B332MR	B	131.8/27.2
IC809	1110006700	S.IC TB7100F(TE85L,F)	B	144.5/46.6
IC811	1130006891	S.IC TC7S04FU(TE85R,F)	T	115.1/22.6
Q1	1530002851	S.TRA 2SC4116-BL(TE85R,F)	B	30.8/21.2
Q2	1590003231	S.TRA UNR9113G0L	T	36.6/12.7
Q3	1560001360	S.FET 2SK3019 TL	T	32.3/18
Q4	1560000531	S.FET 2SK880-GR(TE85R,F)	B	78.3/47
Q5	1590003451	S.TRA UNR9214G0L	B	60.4/64
Q7	1590003451	S.TRA UNR9214G0L	T	109.8/70.4
Q9	1530002851	S.TRA 2SC4116-BL(TE85R,F)	B	60.4/59.7
Q12	1530003311	S.TRA 2SC5107-O(TE85R,F)	T	22.4/31.3
Q13	1530002851	S.TRA 2SC4116-BL(TE85R,F)	T	31.6/27.4
Q17	1530002920	S.TRA 2SC4226-T1 R25	T	49/54.3
Q18	1530002920	S.TRA 2SC4226-T1 R25	T	56.5/54.3
Q19	1530002920	S.TRA 2SC4226-T1 R25	T	64.1/55.8
Q20	1590003231	S.TRA UNR9113G0L	B	33.2/26.1
Q21	1590003451	S.TRA UNR9214G0L	B	110.3/73.7
Q22	1530003311	S.TRA 2SC5107-O(TE85R,F)	T	55.2/61.5
Q23	1530003340	S.TRA 2SC3357-T1 RF	B	67.4/92.8
Q24	1580000731	S.FET 3SK293(TE85L,F)	B	10.1/66.2
Q25	1530004110	S.TRA MT3S37T(TE85L,F)	T	59.4/63
Q26	1560000841	S.FET 2SK1829(TE85R,F)	T	6.4/67.1
Q27	1590001400	S.TRA XP1214(TX)	B	53.6/61.9
Q28	1590001400	S.TRA XP1214(TX)	B	57.2/61.9
Q29	1530003311	S.TRA 2SC5107-O(TE85R,F)	T	49.2/62.6
Q30	1590003451	S.TRA UNR9214G0L	B	53.6/64.6
Q31	1510001110	S.TRA 2SA1577T106R	B	109.7/77.6
Q33	1530003260	S.TRA 2SC5006-T	B	62.9/88.1
Q34	1540000550	S.TRA 2SD1664 T100Q	B	116.5/82.3
Q35	1590003451	S.TRA UNR9214G0L	B	113.4/73.7
Q36	1530002851	S.TRA 2SC4116-BL(TE85R,F)	T	49.5/83.4
Q37	1590003451	S.TRA UNR9214G0L	B	113.4/76.3
Q39	1560000531	S.FET 2SK880-GR(TE85R,F)	B	79.7/53.2
Q40	1590003451	S.TRA UNR9214G0L	B	107.2/102.4
Q41	1590001451	S.FET 2SJ144-GR(TE85R,F)	B	115.4/102.3
Q42	1590003451	S.TRA UNR9214G0L	B	145.5/78.3
Q43	1590000990	S.TRA DTC363EK T146	B	150.6/78.3
Q44	1590003451	S.TRA UNR9214G0L	T	112.4/106.3
Q46	1530002851	S.TRA 2SC4116-BL(TE85R,F)	B	75.2/53.3

[MAIN UNIT]

REF NO.	PARTS NO.	DESCRIPTION	M.	H/V LOCATION
Q51	1590003451	S.TRA UNR9214G0L	B	112.3/101.4
Q52	1590003451	S.TRA UNR9214G0L	T	152.2/90.9
Q53	1590003451	S.TRA UNR9214G0L	T	52.4/83.4
Q54	1590001650	S.TRA XP4601(TX)	T	88.1/41.4
Q55	1560001360	S.FET 2SK3019 TL	T	148.9/8.9
Q57	1590003451	S.TRA UNR9214G0L	T	129.4/15.1
Q58	1590003451	S.TRA UNR9214G0L	B	139.2/105.1
Q59	1550000100	S.FET 2SJ377 (TE16L1,NQ)	B	132.3/77.4
Q60	1590003560	S.FET TPC6104 (TE85L,F)	T	153.3/87.9
Q61	1550000150	S.FET CPH3345-TL-E	B	155.1/30
Q63	1560000990	S.FET PMBFJ310	B	32.5/50.6
Q64	1560000990	S.FET PMBFJ310	B	35.3/50.6
Q65	1590003231	S.TRA UNR9113G0L	T	131.5/15.1
Q66	1560000990	S.FET PMBFJ310 [USA-02]	B	29.7/50.6
	1560000990	S.FET PMBFJ310 [EXP-02]		
	1560000990	S.FET PMBFJ310 [USA-02]		
	1560000990	S.FET PMBFJ310 [EXP-02]		
Q67	1530002851	S.TRA 2SC4116-BL(TE85R,F)	B	134.4/49.1
Q70	1590003291	S.TRA UNR9213G0L	T	89.3/85.5
Q71	1590003231	S.TRA UNR9113G0L	B	137.4/8.4
Q72	1590003291	S.TRA UNR9213G0L	B	140.1/8.4
Q601	1590003451	S.TRA UNR9214G0L	B	127.9/63
Q602	1590003231	S.TRA UNR9113G0L	B	130.1/63
Q603	1590003451	S.TRA UNR9214G0L	T	91.9/71.6
Q604	1590003451	S.TRA UNR9214G0L	T	91.9/73.7
Q605	1590003451	S.TRA UNR9214G0L	T	88.9/71.6
Q606	1590003451	S.TRA UNR9214G0L	T	88.9/73.7
Q607	1590003451	S.TRA UNR9214G0L	T	86.6/71.6
Q801	1530002851	S.TRA 2SC4116-BL(TE85R,F)	B	88.6/10.3
Q802	1590003550	S.TRA XP4313(TX)	B	100/21.2
Q803	1590003550	S.TRA XP4313(TX)	T	48.9/15
Q804	1590003231	S.TRA UNR9113G0L	T	126.8/31.6
Q805	1530002851	S.TRA 2SC4116-BL(TE85R,F)	B	74.2/57.7
D1	1750001070	S.DIO DAN235ETL	T	26.4/15.2
D2	1750001070	S.DIO DAN235ETL	T	26.4/8.8
D4	1790001261	S.DIO MA2S077G0L	T	64.3/62.9
D5	1790001261	S.DIO MA2S077G0L [USA-01]	T	61.5/62.9
	1790001261	S.DIO MA2S077G0L [EXP-01]		
	1790001261	S.DIO MA2S077G0L [USA-01]		
	1790001261	S.DIO MA2S077G0L [EXP-01]		
D6	1750001070	S.DIO DAN235ETL	T	26/35.1
D7	1750001650	S.VAR 1SV309(TPH3,F)	T	67.1/50.8
D11	1720000651	S.VAR 1SV286(TPH3,F)	T	49.9/43.9
D12	1750000711	S.VAR HVC350BTRF-E	T	46.4/44.8
D15	1720000651	S.VAR 1SV286(TPH3,F)	T	57.5/43.9
D16	1750000711	S.VAR HVC350BTRF-E	T	54/44.8
D17	1750000711	S.VAR HVC350BTRF-E	B	15.7/65.3
D19	1750000581	S.DIO 1SV307(TPH3,F)	B	46.7/69.1
D20	1790001261	S.DIO MA2S077G0L	B	45.1/68.9
D23	1750000711	S.VAR HVC350BTRF-E	B	11/69.7
D24	1790001241	S.DIO MA2S7280GL	T	7.1/64.4
D26	1750000711	S.VAR HVC350BTRF-E	B	11/77.5
D27	1790001261	S.DIO MA2S077G0L [USA-01]	B	24.8/76.1
	1790001261	S.DIO MA2S077G0L [EXP-01]		
	1790001261	S.DIO MA2S077G0L [USA-01]		
	1790001261	S.DIO MA2S077G0L [EXP-01]		
	1790001621	S.DIO 1SV308(TPL3,F) [USA-02]		
	1790001621	S.DIO 1SV308(TPL3,F) [EXP-02]		
	1790001621	S.DIO 1SV308(TPL3,F) [USA-02]		
	1790001621	S.DIO 1SV308(TPL3,F) [EXP-02]		
D29	1710001061	DIO L407CDB		
D32	1750001070	S.DIO DAN235ETL	B	32.2/44.1
D33	1720000651	S.VAR 1SV286(TPH3,F)	T	65.1/43.9
D34	1750000711	S.VAR HVC350BTRF-E	T	61.6/44.8
D35	1790001211	S.DIO 1S5375-TL-E	B	38.5/88.7
D37	1750000370	S.DIO DA221 TL	B	113.4/78.4
D38	1790000660	S.DIO MA728(TX)	B	9.9/81.7
D40	1790000660	S.DIO MA728(TX)	B	6/102.7
D42	1750001360	S.DIO L709CER (9401)	T	27.2/85
D43	1720000651	S.VAR 1SV286(TPH3,F)	T	65.1/45.1
D44	1750000711	S.VAR HVC350BTRF-E	T	60.4/44.8
D46	1710000831	S.DIO DF30SC4M-7072	B	133.2/88
D47	1750000431	S.DIO HSB88WSTR-E	T	27.1/58.1
D50	1750000370	S.DIO DA221 TL	T	100.2/102.6
D53	1790001251	S.DIO MA2S1110GL	B	147.3/78.3
D55	1750000370	S.DIO DA221 TL	T	106.5/102.6
D56	1750000370	S.DIO DA221 TL	T	104.4/102.6
D57	1750000370	S.DIO DA221 TL	T	102.3/102.6
D65	1790001621	S.DIO 1SV308(TPL3,F)	T	28.4/35.1
D66	1790001621	S.DIO 1SV308(TPL3,F)	B	34.5/43.4
D67	1790001621	S.DIO 1SV308(TPL3,F)	B	30/43.4
D69	1790001621	S.DIO 1SV308(TPL3,F)	T	23.1/35.1
D71	1160000140	S.DIO DAP222 TL	B	77/38.6
D74	1750001110	S.DIO SM240A-T	B	156.5/26.7
D75	1730002411	S.ZEN MAZ8200GHL	B	139.6/103.1
D76	1750000711	S.VAR HVC350BTRF-E	B	11.1/63.4
D77	1750000711	S.VAR HVC350BTRF-E	B	19.2/65.3
D78	1750000711	S.VAR HVC350BTRF-E	B	9.8/77.5
D79	1750000711	S.VAR HVC350BTRF-E	B	9.8/69.7
D80	1790001251	S.DIO MA2S1110GL	B	106.3/98.7
D81	1790001251	S.DIO MA2S1110GL	B	118/98.9
D82	1790001251	S.DIO MA2S1110GL	B	121.5/100.7
D83	1790001251	S.DIO MA2S1110GL	B	120.5/104.2
D84	1790001251	S.DIO MA2S1110GL	B	118/103.2
D85	1790001251	S.DIO MA2S1110GL	T	115.2/103.3
D86	1790001251	S.DIO MA2S1110GL	B	118/100.2
D87	1790001251	S.DIO MA2S1110GL	B	104.8/100.7
D601	1790001261	S.DIO MA2S077G0L	B	98.7/49.6
D602	1750000520	S.DIO DAN222TL	T	89.3/92.9
D603	1750000520	S.DIO DAN222TL	T	89.3/90.8
D604	1750000520	S.DIO DAN222TL	T	80.9/91.3
D605	1750000520	S.DIO DAN222TL	T	89.3/88.7

[MAIN UNIT]

REF NO.	PARTS NO.	DESCRIPTION	M.	H/V LOCATION
D606	1750000520	S.DIO DAN222TL	T	80.9/93.9
D607	1790001241	S.DIO MA2S7280GL	T	107.2/59.9
D801	1790001241	S.DIO MA2S7280GL	B	116.1/22.9
D802	1750001280	S.DIO CUS02(TE85L,Q)	B	144.5/44
D803	1790001241	S.DIO MA2S7280GL	B	99/45.8
D804	1790001241	S.DIO MA2S7280GL	B	137.3/55.6
D805	1750000370	S.DIO DA221 TL	T	4.6/64.7
D808	1790000991	S.ZEN MAZ8051GHL	B	132.1/48
F11	2020001410	CER CFWL450KGFA-B0(CFWM450G)		
F12	2020001410	CER CFWL450KGFA-B0(CFWM450G)		
F13	2030000150	S.MON DSF753SB 46.350 MHz (FL-335)	T	33.1/41.5
F14	2030000850	S.MON DSF753SBF 46.35 MHz (FL-441)	T	24.2/41.5
F15	2040001440	S.LC NFE31PT152Z1E9L (NFM60R20T152)	B	85.2/103.6
F16	2040001440	S.LC NFE31PT152Z1E9L (NFM60R20T152)	B	85.2/100.3
F17	2040001440	S.LC NFE31PT152Z1E9L (NFM60R20T152)	B	85.2/97
F110	2040001440	S.LC NFE31PT152Z1E9L (NFM60R20T152)	T	150.7/107.6
F111	2040001440	S.LC NFE31PT152Z1E9L (NFM60R20T152)	B	148.6/108.1
F1801	2020001410	CER CFWL450KGFA-B0(CFWM450G)		
X1	6050011730	S.XTA CR-765 SMD-49TA 3.6864 MHz <KDS>	B	54.7/16.7
X2	6050013000	S.XTA CR-892 TTS14VSB-A8 15.3 MHz	B	85.5/48.6
X3	6050012320	S.XTA CR-818 SMD-49 4.194304 MHz <KDS>	B	54.6/9.3
X4	6070000300	S.DIS JTBM450CX24 <JJ>	T	33.2/22.8
X601	6050011700	S.XTA CR-760 DSX531S 9.8304 MHz	B	95.9/43.5
X801	6050012930	S.XTA CR-886 DSA321SCA 12.288 MHz	T	120.4/25.4
L1	6200003960	S.COI MLF1608A 1R0K-T	T	75.3/47.7
L2	6200003540	S.COI MLF1608D R22K-T	B	29.9/23.4
L3	6200004480	S.COI MLF1608D R82K-T	B	25.6/20.2
L4	6200005671	S.COI ELJRE 12NGFA	T	65.7/65
L5	6200007370	S.COI ELJFC R82K-F	T	48.5/56.8
L6	6200004741	S.COI NLV25T-1R2J	T	47.3/41.8
L7	6200007370	S.COI ELJFC R82K-F	T	56/56.8
L8	6200004741	S.COI NLV25T-1R2J	T	65.6/41.7
L9	6200004741	S.COI NLV25T-1R2J	T	62.6/41.8
L10	6200009390	S.COI C3328A-8N0J-A	T	48.9/48.5
L11	6200004741	S.COI NLV25T-1R2J	T	50.3/41.7
L12	6200013700	S.COI C36-12NH <COMO> [USA-01]	T	57/48.2
	6200013700	S.COI C36-12NH <COMO> [EXP-01]		
	6200013700	S.COI C36-12NH <COMO> [USA-01]		
	6200013700	S.COI C36-12NH <COMO> [EXP-01]		
	6200013700	S.COI C36-12NH <COMO> [USA-02]		
	6200013710	S.COI C36-8NH <COMO> [EXP-02]		
	6200013710	S.COI C36-8NH <COMO> [USA-02]		
	6200013710	S.COI C36-8NH <COMO> [EXP-02]		
	6200013710	S.COI C36-8NH <COMO> [USA-02]		
L13	6200004741	S.COI NLV25T-1R2J	T	55/41.8
L14	6200004741	S.COI NLV25T-1R2J	T	58/41.7
L15	6200013710	S.COI C36-8NH <COMO>	T	64.1/48.5
L18	6130002961	S.COI #617DB-1327=P3	T	33.5/58.1
L20	6200005721	S.COI ELJRE 33NGFA	T	57.1/61.5
L21	6200005661	S.COI ELJRE 10NGFA [USA-01]	T	58.6/65.2
	6200005661	S.COI ELJRE 10NGFA [EXP-01]		
	6200005661	S.COI ELJRE 10NGFA [USA-01]		
	6200005661	S.COI ELJRE 10NGFA [EXP-01]		
	6200005651	S.COI ELJRE 8N2ZFA [USA-02]		
	6200005651	S.COI ELJRE 8N2ZFA [EXP-02]		
	6200005651	S.COI ELJRE 8N2ZFA [USA-02]		
	6200005651	S.COI ELJRE 8N2ZFA [EXP-02]		
L22	6200005711	S.COI ELJRE 27NGFA [USA-01]	B	34.8/64.8
	6200005711	S.COI ELJRE 27NGFA [EXP-01]		
	6200005711	S.COI ELJRE 27NGFA [USA-01]		
	6200005711	S.COI ELJRE 27NGFA [EXP-01]		
L24	6130002961	S.COI #617DB-1327=P3	T	21.8/58.1
L25	6200005711	S.COI ELJRE 27NGFA	T	46.7/63.4
L26	6200010030	S.COI C2012C-15NG-A	B	17.4/65.5
L27	6200003550	S.COI MLF1608A 4R7K-T	B	40.8/50.9
L28	6200010740	S.COI C2520C-R27G-A	B	40.8/48
L29	6200002861	S.COI NLV25T-4R7J [USA-01]	B	39.1/53.5
	6200002861	S.COI NLV25T-4R7J [EXP-01]		
	6200002861	S.COI NLV25T-4R7J [USA-01]		
	6200002861	S.COI NLV25T-4R7J [EXP-01]		
	6200005011	S.COI NLV25T-100J [USA-02]		
	6200005011	S.COI NLV25T-100J [EXP-02]		
	6200005011	S.COI NLV25T-100J [USA-02]		
	6200005011	S.COI NLV25T-100J [EXP-02]		
L31	6200010030	S.COI C2012C-15NG-A [USA-01]	B	8/64
	6200010030	S.COI C2012C-15NG-A [EXP-01]		
	6200010030	S.COI C2012C-15NG-A [USA-01]		
	6200010030	S.COI C2012C-15NG-A [EXP-01]		
	6200010020	S.COI C2012C-12NG-A [USA-02]		
	6200010020	S.COI C2012C-12NG-A [EXP-02]		
	6200010020	S.COI C2012C-12NG-A [USA-02]		
	6200010020	S.COI C2012C-12NG-A [EXP-02]		
L32	6200012800	S.COI 0.40-1.5-5TL 20N <COMO>	B	14/71.1
L33	6200005641	S.COI ELJRE 6N8ZFA	B	73.3/94.6
L34	6200005691	S.COI ELJRE 18NGFA	T	74.7/100.5
L35	6200010150	S.COI AS080340-15N	T	33.5/102.2
L36	6200012800	S.COI 0.40-1.5-5TL 20N <COMO>	B	14/76.9
L37	6200010100	S.COI C2012C-33NG-A	B	20.3/76.4

M.=Mounted side (T: Mounted on the Top side, B: Mounted on the Bottom side) S.=Surface mount

[MAIN UNIT]

REF NO.	PARTS NO.	DESCRIPTION	M.	H/V LOCATION
L38	6200010420	S.COI FHW1210HC 1R0JGT <JJE>	B	36.6/99
L39	6200005691	S.COI ELJURE 18NGFA [USA-01]	B	27/78
	6200005691	S.COI ELJURE 18NGFA [EXP-01]		
	6200005691	S.COI ELJURE 18NGFA [USA-01]		
	6200005691	S.COI ELJURE 18NGFA [EXP-01]		
	6200006771	S.COI ELJURE 1N5ZFA [USA-02]		
	6200006771	S.COI ELJURE 1N5ZFA [EXP-02]		
	6200006771	S.COI ELJURE 1N5ZFA [USA-02]		
	6200006771	S.COI ELJURE 1N5ZFA [EXP-02]		
L40	6200010150	S.COI AS080340-15N	T	31.1/85.1
L41	6200005011	S.COI NLV25T-100J	B	151.3/39.7
L42	6200010150	S.COI AS080340-15N	T	15.2/87.4
L43	6200010150	S.COI AS080340-15N	T	7.4/85.4
L44	6200010150	S.COI AS080340-15N	T	10.8/105.4
L45	6200010150	S.COI AS080340-15N	T	23.1/85.4
L46	6200005711	S.COI ELJURE 27NGFA [USA-01]	B	70.5/94.7
	6200005711	S.COI ELJURE 27NGFA [EXP-01]		
	6200005711	S.COI ELJURE 27NGFA [USA-01]		
	6200005711	S.COI ELJURE 27NGFA [EXP-01]		
	6200005691	S.COI ELJURE 18NGFA [USA-02]		
	6200005691	S.COI ELJURE 18NGFA [EXP-02]		
	6200005691	S.COI ELJURE 18NGFA [USA-02]		
	6200005691	S.COI ELJURE 18NGFA [EXP-02]		
L47	6180003501	S.COI SLF6028T-100M1R3-PF	B	156.5/20.5
L48	6200005711	S.COI ELJURE 27NGFA	B	37.4/64.8
L49	6200005711	S.COI ELJURE 27NGFA	B	64.1/90.1
L50	6200010030	S.COI C2012C-15NG-A	B	21.9/65.6
L53	6200004741	S.COI NLV25T-1R2J	T	64.1/58.4
L801	6200012090	S.COI CDRH2D18HP-150NC	B	144.4/39.2
L802	6200007830	S.COI ELJFC 4R7K-F	B	140.1/35
L803	6200007830	S.COI ELJFC 4R7K-F	B	131.8/32.6
L804	6200007120	S.COI ELJND 1R0J	T	110/26.9
L805	6200007120	S.COI ELJND 1R0J	T	122.6/28.2
L806	6200012090	S.COI CDRH2D18HP-150NC	B	134.7/52.7
L807	6200005011	S.COI NLV25T-100J	B	133.2/45
R1	7030005050	S.RES ERJ2GEJ 103 X (10K)	B	77.6/29.5
R2	7030009150	S.RES ERJ2GEJ 824 X (820K)	B	79.3/32.7
R7	7030005060	S.RES ERJ2GEJ 333 X (33K)	T	55.5/33.3
R9	7030005050	S.RES ERJ2GEJ 103 X (10K)	T	55.5/31.5
R10	7030005050	S.RES ERJ2GEJ 103 X (10K)	T	57/29.5
R18	7030008300	S.RES ERJ2GEJ 184 X (180K)	B	67.9/29.9
R19	7030005700	S.RES ERJ2GEJ 274 X (270K)	B	64.5/28.9
R20	7030005090	S.RES ERJ2GEJ 104 X (100K)	B	62.9/27
R22	7030008300	S.RES ERJ2GEJ 184 X (180K)	B	77.6/30.8
R23	7410001130	S.ARR EXB28V102JX	T	80.6/61.8
R24	7030005060	S.RES ERJ2GEJ 333 X (33K)	B	55.7/23.9
R25	7030005120	S.RES ERJ2GEJ 102 X (1K)	T	58.5/19
R26	7030005000	S.RES ERJ2GEJ 471 X (470)	T	67.6/17.9
R27	7030007300	S.RES ERJ2GEJ 332 X (3.3K)	T	58.8/12.2
R28	7030010040	S.RES ERJ2GEJ-JPW	T	62/12.2
R29	7030005000	S.RES ERJ2GEJ 471 X (470)	T	67.6/18.8
R30	7030005170	S.RES ERJ2GEJ 474 X (470K)	B	57.2/27
R31	7030007340	S.RES ERJ2GEJ 153 X (15K)	B	58.9/28
R32	7030009710	S.RES ERJ2GEJ 203 X (20K)	B	58.9/29
R33	7030005160	S.RES ERJ2GEJ 105 X (1M)	B	67.9/26.6
R35	7030005120	S.RES ERJ2GEJ 102 X (1K)	B	66.8/26.6
R36	7030005110	S.RES ERJ2GEJ 224 X (220K) [USA-01]	B	62.9/26
	7030005110	S.RES ERJ2GEJ 224 X (220K) [EXP-01]		
	7030005110	S.RES ERJ2GEJ 224 X (220K) [USA-01]		
	7030005110	S.RES ERJ2GEJ 224 X (220K) [EXP-01]		
	7030005070	S.RES ERJ2GEJ 683 X (68K) [USA-02]		
	7030005070	S.RES ERJ2GEJ 683 X (68K) [EXP-02]		
	7030005070	S.RES ERJ2GEJ 683 X (68K) [USA-02]		
	7030005070	S.RES ERJ2GEJ 683 X (68K) [EXP-02]		
R37	7030005010	S.RES ERJ2GEJ 681 X (680)	B	32.2/23.3
R38	7030006610	S.RES ERJ2GEJ 394 X (390K)	B	33.6/21.5
R39	7030007350	S.RES ERJ2GEJ 393 X (39K)	T	62/21.7
R40	7030005110	S.RES ERJ2GEJ 224 X (220K)	B	66.8/29.4
R41	7030005160	S.RES ERJ2GEJ 105 X (1M)	T	53.5/18.1
R42	7030005240	S.RES ERJ2GEJ 473 X (47K)	T	56.9/19
R43	7030005120	S.RES ERJ2GEJ 102 X (1K)	T	73.8/61.4
R44	7030005120	S.RES ERJ2GEJ 102 X (1K)	T	74/51.9
R48	7030005000	S.RES ERJ2GEJ 471 X (470)	B	83.6/52
R49	7030005580	S.RES ERJ2GEJ 560 X (56)	B	70.6/61.1
R50	7030007340	S.RES ERJ2GEJ 153 X (15K)	T	25.5/7.2
R51	7030005040	S.RES ERJ2GEJ 472 X (4.7K)	T	58.5/17.2
R52	7030005290	S.RES ERJ2GEJ 682 X (6.8K)	T	76.4/22.2
R56	7030005040	S.RES ERJ2GEJ 472 X (4.7K)	B	60.4/62
R57	7510001730	S.THE ERTJJOEP 473J	T	107.5/30.2
R58	7030005090	S.RES ERJ2GEJ 104 X (100K)	T	105.9/30.9
R59	7030009290	S.RES ERJ2GEJ 562 X (5.6K)	T	25.8/10.9
R62	7030005040	S.RES ERJ2GEJ 472 X (4.7K)	T	28.6/28.1
R65	7030005090	S.RES ERJ2GEJ 104 X (100K)	T	62/22.6
R66	7030005050	S.RES ERJ2GEJ 103 X (10K)	B	62.9/28
R67	7030005210	S.RES ERJ2GEJ 822 X (8.2K)	T	58.5/18.1
R68	7030008010	S.RES ERJ2GEJ 123 X (12K)	T	63.7/22.6
R69	7030005090	S.RES ERJ2GEJ 104 X (100K)	B	71.6/31.4
R73	7030005700	S.RES ERJ2GEJ 274 X (270K)	T	105.8/66.2
R74	7030005050	S.RES ERJ2GEJ 103 X (10K)	T	107.4/65.3
R75	7030008300	S.RES ERJ2GEJ 184 X (180K)	B	64.5/28
R76	7030007340	S.RES ERJ2GEJ 153 X (15K)	B	71.4/45.9
R77	7030005000	S.RES ERJ2GEJ 471 X (470)	B	78.1/49.4
R78	7030005010	S.RES ERJ2GEJ 681 X (680)	B	71.4/46.8
R79	7030005040	S.RES ERJ2GEJ 472 X (4.7K)	T	63.4/65
R80	7030005040	S.RES ERJ2GEJ 472 X (4.7K) [USA-01]	T	62.5/65
	7030005040	S.RES ERJ2GEJ 472 X (4.7K) [EXP-01]		
	7030005040	S.RES ERJ2GEJ 472 X (4.7K) [USA-01]		
	7030005040	S.RES ERJ2GEJ 472 X (4.7K) [EXP-01]		
R81	7030005110	S.RES ERJ2GEJ 224 X (220K)	B	58.4/38.7
R82	7030005110	S.RES ERJ2GEJ 224 X (220K)	B	62/38.7
R83	7030005120	S.RES ERJ2GEJ 102 X (1K)	T	83.3/40.5
R84	7030007280	S.RES ERJ2GEJ 331 X (330)	T	24.2/31.3

[MAIN UNIT]

REF NO.	PARTS NO.	DESCRIPTION	M.	H/V LOCATION
R85	7030005110	S.RES ERJ2GEJ 224 X (220K)	T	25.1/33
R86	7030005030	S.RES ERJ2GEJ 152 X (1.5K)	T	21.7/20.6
R87	7030007300	S.RES ERJ2GEJ 332 X (3.3K)	T	26.9/30.3
R88	7030009290	S.RES ERJ2GEJ 562 X (5.6K)	T	25.8/13.1
R89	7030004970	S.RES ERJ2GEJ 470 X (47)	T	33.9/27.2
R90	7030007300	S.RES ERJ2GEJ 332 X (3.3K)	T	27.6/10.9
R91	7030007290	S.RES ERJ2GEJ 222 X (2.2K)	T	33.9/29.9
R92	7030005700	S.RES ERJ2GEJ 274 X (270K)	T	73.5/37.4
R93	7030005050	S.RES ERJ2GEJ 103 X (10K)	T	73.5/39.2
R94	7030005240	S.RES ERJ2GEJ 473 X (47K)	T	101/64.6
R95	7030007350	S.RES ERJ2GEJ 393 X (39K)	T	101.1/63.2
R96	7030005240	S.RES ERJ2GEJ 473 X (47K)	B	65.5/36.6
R97	7030005060	S.RES ERJ2GEJ 333 X (33K)	T	69.5/28.4
R98	7030005120	S.RES ERJ2GEJ 102 X (1K)	B	67.7/32.9
R99	7030007340	S.RES ERJ2GEJ 153 X (15K)	T	24.9/13.2
R100	7030007350	S.RES ERJ2GEJ 393 X (39K)	T	27.8/17.9
R101	7030004980	S.RES ERJ2GEJ 101 X (100)	T	33.9/17.9
R102	7030005530	S.RES ERJ2GEJ 100 X (10)	T	25.1/31.3
R103	7030007340	S.RES ERJ2GEJ 153 X (15K)	T	30.5/35.1
R104	7030007270	S.RES ERJ2GEJ 151 X (150)	T	30.5/36.3
R105	7030007340	S.RES ERJ2GEJ 153 X (15K)	T	23.1/33.9
R106	7030007280	S.RES ERJ2GEJ 331 X (330)	T	21/36.3
R107	7030005000	S.RES ERJ2GEJ 471 X (470)	T	28.6/27.2
R108	7030007290	S.RES ERJ2GEJ 222 X (2.2K)	T	36.6/17.9
R109	7030005050	S.RES ERJ2GEJ 103 X (10K)	T	35.7/17.9
R110	7030007290	S.RES ERJ2GEJ 222 X (2.2K)	T	38.4/17.9
R112	7030005000	S.RES ERJ2GEJ 471 X (470)	T	84.3/36.8
R114	7030005090	S.RES ERJ2GEJ 104 X (100K)	B	77/40.2
R115	7030005090	S.RES ERJ2GEJ 104 X (100K)	T	134.1/15.1
R116	7030005090	S.RES ERJ2GEJ 104 X (100K)	T	80.5/33.9
R117	7030005240	S.RES ERJ2GEJ 473 X (47K)	T	73.5/36.5
R118	7030005700	S.RES ERJ2GEJ 274 X (270K)	B	62.7/53
R120	7030004990	S.RES ERJ2GEJ 221 X (220)	B	36.6/44.3
R122	7030007340	S.RES ERJ2GEJ 153 X (15K)	B	36.6/42.5
R123	7030007340	S.RES ERJ2GEJ 153 X (15K)	B	27.9/42.5
R125	7030009280	S.RES ERJ2GEJ 391 X	B	27.9/44.3
R127	7030007290	S.RES ERJ2GEJ 222 X (2.2K)	B	62.2/59.7
R128	7030005050	S.RES ERJ2GEJ 103 X (10K)	T	98.7/63.9
R129	7030005090	S.RES ERJ2GEJ 104 X (100K)	T	21.7/22.3
R130	7030008400	S.RES ERJ2GEJ 182 X (1.8K)	T	28.8/24.2
R131	7030005070	S.RES ERJ2GEJ 683 X (68K)	T	98.7/72
R132	7030004980	S.RES ERJ2GEJ 101 X (100)	T	133.8/16.7
R133	7030005240	S.RES ERJ2GEJ 473 X (47K)	T	105.8/73.3
R134	7030005050	S.RES ERJ2GEJ 103 X (10K)	B	136.6/14.9
R135	7030005240	S.RES ERJ2GEJ 473 X (47K)	T	105.8/74.2
R136	7030005050	S.RES ERJ2GEJ 103 X (10K)	B	140.2/14.9
R137	7030005050	S.RES ERJ2GEJ 103 X (10K)	B	139.3/14.9
R138	7030005070	S.RES ERJ2GEJ 683 X (68K)	T	98.7/70.4
R140	7030005290	S.RES ERJ2GEJ 682 X (6.8K)	T	46.3/53.9
R141	7030005290	S.RES ERJ2GEJ 682 X (6.8K)	T	49.9/52.3
R142	7030010040	S.RES ERJ2GEJ-JPW	T	47.2/53.9
R143	7030005290	S.RES ERJ2GEJ 682 X (6.8K)	T	53.8/53.9
R144	7030005290	S.RES ERJ2GEJ 682 X (6.8K)	T	57.4/52.3
R145	7030010040	S.RES ERJ2GEJ-JPW	T	54.7/53.9
R146	7030006020	S.RES RR0510P-682-D (6.8K)	T	61.4/53.8
R147	7030005290	S.RES ERJ2GEJ 682 X (6.8K)	T	65/53.8
R148	7030009320	S.RES ERJ2GEJ 477 X (4.7K)	T	62.3/53.8
R149	7030005110	S.RES ERJ2GEJ 224 X (220K)	B	64.3/53.9
R150	7030008290	S.RES ERJ2GEJ 183 X (18K)	B	62.7/55.7
R151	7030005220	S.RES ERJ2GEJ 223 X (22K)	B	62.7/56.6
R152	7030005090	S.RES ERJ2GEJ 104 X (100K)	B	64.3/55.7
R153	7030005530	S.RES ERJ2GEJ 100 X (10)	B	37.7/46.3
R154	7030005070	S.RES ERJ2GEJ 683 X (68K)	B	37.7/46
R155	7030005000	S.RES ERJ2GEJ 471 X (470)	B	33.3/46.3
R157	7030005090	S.RES ERJ2GEJ 104 X (100K)	B	32.2/27.7
R158	7030008300	S.RES ERJ2GEJ 184 X (180K)	B	118/53.3
R159	7030005720	S.RES ERJ2GEJ 563 X (56K)	B	118.9/53.3
R160				

[MAIN UNIT]

REF NO.	PARTS NO.	DESCRIPTION	M.	H/V LOCATION
R192	7030005120	S.RES ERJ2GEJ 102 X (1K) [USA-01]	T	55.9/66.3
	7030005120	S.RES ERJ2GEJ 102 X (1K) [EXP-01]		
	7030005120	S.RES ERJ2GEJ 102 X (1K) [USA-01]		
	7030005120	S.RES ERJ2GEJ 102 X (1K) [EXP-01]		
	7030007570	S.RES ERJ2GEJ 122 X (1.2K) [USA-02]		
	7030007570	S.RES ERJ2GEJ 122 X (1.2K) [EXP-02]		
	7030007570	S.RES ERJ2GEJ 122 X (1.2K) [USA-02]		
	7030007570	S.RES ERJ2GEJ 122 X (1.2K) [EXP-02]		
R193	7030005050	S.RES ERJ2GEJ 103 X (10K)	B	56.9/60
R194	7030005110	S.RES ERJ2GEJ 224 X (220K) [USA-01]	T	55.9/65.3
	7030005110	S.RES ERJ2GEJ 224 X (220K) [EXP-01]		
	7030005110	S.RES ERJ2GEJ 224 X (220K) [USA-01]		
	7030005110	S.RES ERJ2GEJ 224 X (220K) [EXP-01]		
	7030005310	S.RES ERJ2GEJ 124 X (120K) [USA-02]		
	7030005310	S.RES ERJ2GEJ 124 X (120K) [EXP-02]		
	7030005310	S.RES ERJ2GEJ 124 X (120K) [USA-02]		
	7030005310	S.RES ERJ2GEJ 124 X (120K) [EXP-02]		
R195	7030007260	S.RES ERJ2GEJ 330 X (3K)	T	51.4/62
R196	7030005120	S.RES ERJ2GEJ 102 X (1K)	B	55.4/61.9
R197	7030005050	S.RES ERJ2GEJ 103 X (10K)	B	51.8/61.9
R198	7030010040	S.RES ERJ2GEJ-JPW	B	33/64.8
R202	7030005070	S.RES ERJ2GEJ 683 X (68K)	T	62/13.1
R203	7030007340	S.RES ERJ2GEJ 153 X (15K)	B	144.3/68.5
R204	7030007350	S.RES ERJ2GEJ 393 X (39K)	T	107.7/73.3
R205	7030005040	S.RES ERJ2GEJ 472 X (4.7K)	T	105.8/71.4
R206	7030007300	S.RES ERJ2GEJ 332 X (3.3K)	B	31.1/46.3
R209	7030005120	S.RES ERJ2GEJ 102 X (1K)	B	98.7/65.5
R210	7030005050	S.RES ERJ2GEJ 103 X (10K)	T	98.7/67.1
R211	7030004970	S.RES ERJ2GEJ 470 X (47)	T	73.8/43.7
R213	7030005070	S.RES ERJ2GEJ 683 X (68K)	T	48.4/64.4
R214	7030004980	S.RES ERJ2GEJ 101 X (100)	T	47.2/65.8
R217	7030004980	S.RES ERJ2GEJ 101 X (100)	T	50.1/65.3
R218	7030005050	S.RES ERJ2GEJ 103 X (10K)	B	16.1/68.5
R219	7030005050	S.RES ERJ2GEJ 103 X (10K)	B	12.8/63.9
R220	7030005050	S.RES ERJ2GEJ 103 X (10K)	B	21.9/68.5
R224	7030004980	S.RES ERJ2GEJ 101 X (100)	B	62.6/91.1
R238	7030005050	S.RES ERJ2GEJ 103 X (10K)	B	59.3/88.5
R239	7030004970	S.RES ERJ2GEJ 470 X (47) [USA-01]	B	60.2/87.6
	7030004970	S.RES ERJ2GEJ 470 X (47) [EXP-01]		
	7030004970	S.RES ERJ2GEJ 470 X (47) [USA-01]		
	7030004970	S.RES ERJ2GEJ 470 X (47) [EXP-01]		
	7030007250	S.RES ERJ2GEJ 220 X (22) [USA-02]		
	7030007250	S.RES ERJ2GEJ 220 X (22) [EXP-02]		
	7030007250	S.RES ERJ2GEJ 220 X (22) [USA-02]		
	7030007250	S.RES ERJ2GEJ 220 X (22) [EXP-02]		
R240	7030007350	S.RES ERJ2GEJ 393 X (39K)	B	67.3/96
R242	7030009530	S.RES ERJ2GEJ 270 X (27)	B	67.7/97.2
R243	7030005090	S.RES ERJ2GEJ 104 X (100K)	B	63/89.9
R245	7030005050	S.RES ERJ2GEJ 103 X (10K)	B	43.4/70.2
R246	7030005120	S.RES ERJ2GEJ 102 X (1K)	B	41.7/69.3
R247	7030005040	S.RES ERJ2GEJ 472 X (4.7K)	T	45.9/65.3
R252	7030005530	S.RES ERJ2GEJ 100 X (10)	B	7.7/61.9
R253	7030009320	S.RES ERJ2GEJ 4R7 X (4.7)	T	12.1/64.4
R254	7030005090	S.RES ERJ2GEJ 104 X (100K)	T	11.6/65.6
R255	7030004980	S.RES ERJ2GEJ 101 X (100)	T	13.4/66.6
R256	7030005050	S.RES ERJ2GEJ 103 X (10K)	T	10.3/66.6
R257	7030005120	S.RES ERJ2GEJ 102 X (1K) [USA-01]	B	10.1/62.1
	7030005120	S.RES ERJ2GEJ 102 X (1K) [EXP-01]		
	7030005120	S.RES ERJ2GEJ 102 X (1K) [USA-01]		
	7030005120	S.RES ERJ2GEJ 102 X (1K) [EXP-01]		
	7030009290	S.RES ERJ2GEJ 562 X (5.6K) [USA-02]		
	7030009290	S.RES ERJ2GEJ 562 X (5.6K) [EXP-02]		
	7030009290	S.RES ERJ2GEJ 562 X (5.6K) [USA-02]		
	7030009290	S.RES ERJ2GEJ 562 X (5.6K) [EXP-02]		
R258	7030005710	S.RES ERJ2GEJ 121 X (120)	B	8/68.8
R259	7030005700	S.RES ERJ2GEJ 274 X (270K)	B	12.2/68.4
R277	7030005110	S.RES ERJ2GEJ 224 X (220K) [USA-02]	T	10.3/68.2
	7030005110	S.RES ERJ2GEJ 224 X (220K) [EXP-02]		
	7030005110	S.RES ERJ2GEJ 224 X (220K) [USA-02]		
	7030005110	S.RES ERJ2GEJ 224 X (220K) [EXP-02]		
R279	7030005170	S.RES ERJ2GEJ 474 X (470K)	T	5.1/62.6
R281	7030004980	S.RES ERJ2GEJ 101 X (100)	T	61.2/102.5
R282	7030005050	S.RES ERJ2GEJ 103 X (10K)	B	10.6/73.1
R283	7030005050	S.RES ERJ2GEJ 103 X (10K)	B	10.6/74
R284	7030005050	S.RES ERJ2GEJ 103 X (10K)	B	9.4/72.7
R294	7030005050	S.RES ERJ2GEJ 103 X (10K)	T	64.4/102.1
R299	7030006070	S.RES ERJ12VJ101U (100)	B	37.8/95
R301	7030005040	S.RES ERJ2GEJ 472 X (4.7K)	T	55.6/83.4
R302	7030008010	S.RES ERJ2GEJ 123 X (12K)	T	57.4/85.6
R303	7030005050	S.RES ERJ2GEJ 103 X (10K)	B	36.2/88.7
R304	7030004980	S.RES ERJ2GEJ 101 X (100)	T	84.7/66
R305	7030010040	S.RES ERJ2GEJ-JPW	B	70.3/9.1
R306	7030005220	S.RES ERJ2GEJ 223 X (22K)	B	70.3/8.2
R307	7030005220	S.RES ERJ2GEJ 223 X (22K)	B	70.3/12.2
R308	7030005060	S.RES ERJ2GEJ 333 X (33K)	B	72/12.2
R309	7030005060	S.RES ERJ2GEJ 333 X (33K)	B	72/8.2
R310	7030005040	S.RES ERJ2GEJ 472 X (4.7K)	B	109.7/75.6
R311	7030005530	S.RES ERJ2GEJ 100 X (10)	T	105.6/94.5
R312	7030010040	S.RES ERJ2GEJ-JPW	B	70.3/11.3
R313	7030003320	S.RES ERJ3GEYJ 101 V (100)	B	10.9/84
R314	7030007340	S.RES ERJ2GEJ 153 X (15K)	B	11.9/80.8
R315	7030000220	S.RES MCR10EZJH 47 (470)	B	3.4/88.7
R316	7030004980	S.RES ERJ2GEJ 101 X (100)	T	55.6/88.4
R317	7030005700	S.RES ERJ2GEJ 274 X (270K)	B	41.6/88.1
R318	7030004980	S.RES ERJ2GEJ 101 X (100)	T	50.4/87.4
R319	7030007060	S.RES ERJ2GEJ 684 X (680K)	T	49.9/86
R320	7520000240	S.POS PRF18BC471QB1RB	T	47.5/92.3
R321	7030005090	S.RES ERJ2GEJ 104 X (100K)	B	115.1/104.7
R322	7030005120	S.RES ERJ2GEJ 102 X (1K)	B	147.3/73.8
R323	7030008410	S.RES ERJ2GEJ 392 X (3.9K)	B	147.3/72.1
R325	7030005120	S.RES ERJ2GEJ 102 X (1K)	B	144/77.1
R326	7030005090	S.RES ERJ2GEJ 104 X (100K)	B	145.3/66.8
R327	7030007290	S.RES ERJ2GEJ 222 X (2.2K)	B	149.5/72.1
R328	7030005050	S.RES ERJ2GEJ 103 X (10K)	B	151.7/70.2

[MAIN UNIT]

REF NO.	PARTS NO.	DESCRIPTION	M.	H/V LOCATION
R329	7030005090	S.RES ERJ2GEJ 104 X (100K)	B	146.3/68.5
R330	7030005050	S.RES ERJ2GEJ 103 X (10K)	B	111.2/102.9
R331	7030005700	S.RES ERJ2GEJ 274 X (270K) [USA-01]	T	142.9/6.1
	7030005700	S.RES ERJ2GEJ 274 X (270K) [EXP-01]		
	7030005700	S.RES ERJ2GEJ 274 X (270K) [USA-01]		
	7030005700	S.RES ERJ2GEJ 274 X (270K) [EXP-01]		
	7030005700	S.RES ERJ2GEJ 274 X (270K) [USA-01]		
	7030005700	S.RES ERJ2GEJ 274 X (270K) [EXP-01]		
	7030005070	S.RES ERJ2GEJ 683 X (68K) [USA-02]		
	7030005070	S.RES ERJ2GEJ 683 X (68K) [EXP-02]		
	7030005070	S.RES ERJ2GEJ 683 X (68K) [USA-02]		
	7030005070	S.RES ERJ2GEJ 683 X (68K) [EXP-02]		
R333	7030005120	S.RES ERJ2GEJ 102 X (1K)	B	104.6/105.6
R335	7030005050	S.RES ERJ2GEJ 103 X (10K)	B	113.4/102.9
R336	7030005120	S.RES ERJ2GEJ 102 X (1K)	B	124.6/106.5
R338	7030000460	S.RES MCR10EZJH 4.7K (472)	B	118.8/78.3
R339	7030000460	S.RES MCR10EZJH 4.7K (472)	B	118.8/76.3
R340	7030000260	S.RES MCR10EZJH 100 (101)	B	16.6/102.4
R341	7030007340	S.RES ERJ2GEJ 153 X (15K)	B	5.7/101.2
R342	7030003320	S.RES ERJ3GEYJ 101 V (100)	B	7.8/101.2
R343	7030005100	S.RES ERJ2GEJ 154 X (150K)	T	55.6/87.5
R344	7030005110	S.RES ERJ2GEJ 224 X (220K)	T	50.4/81.6
R345	7030005050	S.RES ERJ2GEJ 103 X (10K)	T	55.6/85.6
R346	7030005110	S.RES ERJ2GEJ 224 X (220K)	T	52.1/85.1
R347	7030006610	S.RES ERJ2GEJ 394 X (390K)	T	48.6/81.6
R348	7030005050	S.RES ERJ2GEJ 103 X (10K)	T	150.4/93.2
R349	7030005050	S.RES ERJ2GEJ 103 X (10K)	B	110.8/75.6
R350	7030005120	S.RES ERJ2GEJ 102 X (1K)	T	154.7/82.1
R351	7030003300	S.RES ERJ3GEYJ 680 V (68)	T	143/77
R352	7030007300	S.RES ERJ2GEJ 332 X (3.3K)	T	142.6/71.5
R353	7030003300	S.RES ERJ3GEYJ 680 V (68)	T	142.6/72.8
R354	7030010040	S.RES ERJ2GEJ-JPW	T	143.1/67.4
R355	7030005060	S.RES ERJ2GEJ 333 X (33K)	B	150.7/73.8
R356	7030008310	S.RES ERJ2GEJ 564 X (560K)	B	62.7/57.3
R357	7030005160	S.RES ERJ2GEJ 105 X (1M)	B	116.1/100.1
R359	7030000460	S.RES MCR10EZJH 4.7K (472)	B	118.8/74.3
R360	7030005090	S.RES ERJ2GEJ 104 X (100K)	T	146.9/7.3
R361	7030005600	S.RES ERJ2GEJ 273 X (27K)	T	148.5/6.2
R362	7030000620	S.RES MCR10EZJH 100 K (104)	T	6.6/106.4
R366	7030007300	S.RES ERJ2GEJ 332 X (3.3K)	T	142.6/78.7
R367	7030005040	S.RES ERJ2GEJ 472 X (4.7K)	T	154.2/91
R368	7030000020	S.RES MCR10EZJH 1 (010)	B	151.5/47.4
R369	7030000020	S.RES MCR10EZJH 1 (010)	B	151.4/57.9
R370	7030010040	S.RES ERJ2GEJ-JPW	T	65.6/102.9
R371	7030005050	S.RES ERJ2GEJ 103 X (10K)	B	137.2/104.6
R372	7030007601	S.RES ERA3YKD 913V (91K)	B	124/73
R373	7030005040	S.RES ERJ2GEJ 472 X (4.7K)	T	148.5/7.3
R374	7030006101	S.RES ERA3YED 183V (18K)	B	124/70.3
R375	7030005160	S.RES ERJ2GEJ 105 X (1M)	B	113.2/98.5
R376	7030005160	S.RES ERJ2GEJ 105 X (1M)	T	74.6/24.3
R377	7030005160	S.RES ERJ2GEJ 105 X (1M)	T	79.8/26.5
R378	7540000290	ABS ERZV10D220		
R380	7030005160	S.RES ERJ2GEJ 105 X (1M)	B	113.4/104.7
R381	7030008300	S.RES ERJ2GEJ 184 X (180K)	B	146.3/70.2
R382	7030007290	S.RES ERJ2GEJ 222 X (2.2K)	B	150.7/75.5
R383	7030005110	S.RES ERJ2GEJ 224 X (220K)	B	150.7/70.2
R384	7030005110	S.RES ERJ2GEJ 224 X (220K)	B	150.7/68.5
R385	7030005050	S.RES ERJ2GEJ 103 X (10K)	B	132.3/80.9
R386	7030005120	S.RES ERJ2GEJ 102 X (1K)	B	108.9/105.6
R387	7030005120	S.RES ERJ2GEJ 102 X (1K)	B	113.4/106.5
R388	7030005000	S.RES ERJ2GEJ 471 X (470)	B	136.5/77.4
R389	7030005090	S.RES ERJ2GEJ 104 X (100K)	T	131.5/13.5
R391	7030005090	S.RES ERJ2GEJ 104 X (100K)	T	154.2/90.1
R392	7030005050	S.RES ERJ2GEJ 103 X (10K)	T	

[MAIN UNIT]

REF NO.	PARTS NO.	DESCRIPTION	M.	H/V LOCATION
R471	7030005220	S.RES ERJ2GEJ 223 X (22K)	T	84.3/40.5
R472	7030005220	S.RES ERJ2GEJ 223 X (22K)	T	86.3/42.2
R473	7030005220	S.RES ERJ2GEJ 223 X (22K)	T	86.3/40.5
R474	7030005050	S.RES ERJ2GEJ 103 X (10K)	T	87.9/38.8
R475	7030007300	S.RES ERJ2GEJ 332 X (3.3K)	T	85.3/38.8
R476	7030005090	S.RES ERJ2GEJ 104 X (100K)	T	90/40.5
R477	7030005070	S.RES ERJ2GEJ 683 X (68K)	T	91/40.5
R478	7030007570	S.RES ERJ2GEJ 122 X (1.2K)	T	90/42.2
R479	7030005050	S.RES ERJ2GEJ 103 X (10K)	T	88.9/38.8
R480	7030005040	S.RES ERJ2GEJ 472 X (4.7K)	T	91/38.8
R482	7030005090	S.RES ERJ2GEJ 104 X (100K)	B	112.2/98.5
R483	7030005120	S.RES ERJ2GEJ 102 X (1K)	T	71.4/16.8
R484	7030005120	S.RES ERJ2GEJ 102 X (1K)	T	73.1/17.9
R485	7030005120	S.RES ERJ2GEJ 102 X (1K)	T	74/10.4
R486	7030005240	S.RES ERJ2GEJ 473 X (47K)	B	111.8/75.6
R487	7030005120	S.RES ERJ2GEJ 102 X (1K)	B	111.2/105.6
R488	7030005120	S.RES ERJ2GEJ 102 X (1K)	B	120.5/106.5
R489	7030005120	S.RES ERJ2GEJ 102 X (1K)	B	116.8/105.6
R490	7030005120	S.RES ERJ2GEJ 102 X (1K)	B	115.1/106.5
R491	7030005090	S.RES ERJ2GEJ 104 X (100K)	T	131.5/16.7
R492	7030010040	S.RES ERJ2GEJ-JPW	B	60.6/29.9
R494	7030005050	S.RES ERJ2GEJ 103 X (10K)	B	134.2/5.7
R495	7030006610	S.RES ERJ2GEJ 394 X (390K)	B	134.2/10.4
R496	7030005290	S.RES ERJ2GEJ 682 X (6.8K)	B	132.6/9.5
R497	7030005050	S.RES ERJ2GEJ 103 X (10K)	B	133.3/5.7
R498	7030007290	S.RES ERJ2GEJ 222 X (2.2K)	B	136/5.7
R601	7030005090	S.RES ERJ2GEJ 104 X (100K)	B	103.9/53.3
R602	7030005090	S.RES ERJ2GEJ 104 X (100K)	B	101.2/36.1
R603	7030005050	S.RES ERJ2GEJ 103 X (10K)	B	103/53.3
R604	7030007290	S.RES ERJ2GEJ 222 X (2.2K)	T	103.5/59.8
R605	7030005050	S.RES ERJ2GEJ 103 X (10K)	T	125/46.2
R606	7030005040	S.RES ERJ2GEJ 472 X (4.7K)	B	101.2/48
R607	7030005530	S.RES ERJ2GEJ 100 X (10)	B	101.2/43.3
R608	7030005210	S.RES ERJ2GEJ 822 X (8.2K)	B	96.6/51.5
R609	7030005210	S.RES ERJ2GEJ 822 X (8.2K)	B	96.6/50.5
R610	7030005160	S.RES ERJ2GEJ 105 X (1M)	B	99/43.5
R611	7030005090	S.RES ERJ2GEJ 104 X (100K)	T	84.7/68
R612	7030005090	S.RES ERJ2GEJ 104 X (100K)	T	114.3/92.5
R613	7030005090	S.RES ERJ2GEJ 104 X (100K)	B	101.2/50.8
R614	7030005090	S.RES ERJ2GEJ 104 X (100K)	B	84.1/69.4
R615	7030005090	S.RES ERJ2GEJ 104 X (100K)	T	88.2/62.1
R616	7030005090	S.RES ERJ2GEJ 104 X (100K)	T	85.3/76
R618	7030005090	S.RES ERJ2GEJ 104 X (100K)	B	118.3/27.3
R620	7030005050	S.RES ERJ2GEJ 103 X (10K)	B	138.9/22.7
R621	7030005050	S.RES ERJ2GEJ 103 X (10K)	B	139.8/22.7
R624	7030005050	S.RES ERJ2GEJ 103 X (10K)	B	136.1/22.7
R625	7030005090	S.RES ERJ2GEJ 104 X (100K)	B	101.2/45.3
R626	7030005090	S.RES ERJ2GEJ 104 X (100K)	T	105.2/92.5
R628	7030005050	S.RES ERJ2GEJ 103 X (10K)	B	118/59.8
R630	7030005090	S.RES ERJ2GEJ 104 X (100K)	T	85.3/74.2
R631	7030005090	S.RES ERJ2GEJ 104 X (100K)	T	85.3/75.1
R632	7030005090	S.RES ERJ2GEJ 104 X (100K)	B	139.8/25.2
R634	7030005090	S.RES ERJ2GEJ 104 X (100K)	B	115.9/26
R637	7030005090	S.RES ERJ2GEJ 104 X (100K)	B	131.7/63.5
R638	7030005090	S.RES ERJ2GEJ 104 X (100K)	B	100.8/80.4
R642	7030005040	S.RES ERJ2GEJ 472 X (4.7K)	B	98.1/60.5
R644	7030005040	S.RES ERJ2GEJ 472 X (4.7K)	T	102.4/80.3
R651	7030005120	S.RES ERJ2GEJ 102 X (1K)	B	127.4/46.3
R652	7030005120	S.RES ERJ2GEJ 102 X (1K)	B	127.4/44.9
R653	7030005120	S.RES ERJ2GEJ 102 X (1K)	B	127.4/44
R654	7030005120	S.RES ERJ2GEJ 102 X (1K)	B	127.4/43.1
R656	7030005120	S.RES ERJ2GEJ 102 X (1K)	B	121.9/27.3
R657	7030005120	S.RES ERJ2GEJ 102 X (1K)	B	121.9/26.4
R660	7030005120	S.RES ERJ2GEJ 102 X (1K)	B	113.8/26
R661	7030005120	S.RES ERJ2GEJ 102 X (1K)	B	107.1/26.5
R662	7410001130	S.ARR EXB28V102JX	B	111/26.6
R663	7030005120	S.RES ERJ2GEJ 102 X (1K)	B	107.1/27.4
R665	7030005120	S.RES ERJ2GEJ 102 X (1K)	B	115.3/53.3
R666	7030005120	S.RES ERJ2GEJ 102 X (1K)	B	114.4/53.3
R667	7030005120	S.RES ERJ2GEJ 102 X (1K)	B	106.8/53.3
R668	7030005120	S.RES ERJ2GEJ 102 X (1K)	B	105.9/53.3
R669	7030005120	S.RES ERJ2GEJ 102 X (1K)	B	108.6/53.3
R670	7030005120	S.RES ERJ2GEJ 102 X (1K)	B	107.7/53.3
R671	7030005120	S.RES ERJ2GEJ 102 X (1K)	B	101.2/38.8
R672	7030004980	S.RES ERJ2GEJ 101 X (100)	B	101.2/49.8
R673	7030004980	S.RES ERJ2GEJ 101 X (100)	B	101.2/48.9
R674	7030005120	S.RES ERJ2GEJ 102 X (1K)	B	101.2/47.1
R675	7030005120	S.RES ERJ2GEJ 102 X (1K)	B	101.2/46.2
R676	7030005120	S.RES ERJ2GEJ 102 X (1K)	B	101.2/44.4
R677	7030005120	S.RES ERJ2GEJ 102 X (1K)	B	101.2/41.5
R678	7030005120	S.RES ERJ2GEJ 102 X (1K)	B	101.2/40.6
R679	7030005120	S.RES ERJ2GEJ 102 X (1K)	B	101.2/37.9
R680	7030005120	S.RES ERJ2GEJ 102 X (1K)	B	101.2/37
R681	7030005120	S.RES ERJ2GEJ 102 X (1K)	B	101.2/35.2
R683	7030005090	S.RES ERJ2GEJ 104 X (100K)	T	99.1/38.7
R684	7030005090	S.RES ERJ2GEJ 104 X (100K)	T	98.2/38.7
R685	7030005090	S.RES ERJ2GEJ 104 X (100K)	B	54.1/23.9
R686	7030005090	S.RES ERJ2GEJ 104 X (100K)	T	99/46
R687	7030005090	S.RES ERJ2GEJ 104 X (100K)	T	99/46.9
R688	7030005090	S.RES ERJ2GEJ 104 X (100K)	T	78.8/12.2
R693	7030005090	S.RES ERJ2GEJ 104 X (100K)	B	101.2/34.1
R694	7030010040	S.RES ERJ2GEJ-JPW	T	127.4/27.1
R695	7030010040	S.RES ERJ2GEJ-JPW	T	127.4/26.4
R700	7030005090	S.RES ERJ2GEJ 104 X (100K)	B	118.3/26.2
R705	7030005090	S.RES ERJ2GEJ 104 X (100K)	T	80.9/95.5
R706	7030005090	S.RES ERJ2GEJ 104 X (100K)	T	90.9/88.7
R710	7030005090	S.RES ERJ2GEJ 104 X (100K)	T	82.7/77.3
R711	7030005720	S.RES ERJ2GEJ 563 X (56K)	T	79.1/17.9
R712	7030005090	S.RES ERJ2GEJ 104 X (100K)	T	80.7/17.9
R714	7030010040	S.RES ERJ2GEJ-JPW	B	121.9/24.6
R716	7030005090	S.RES ERJ2GEJ 104 X (100K)	B	115/26
R717	7030005090	S.RES ERJ2GEJ 104 X (100K)	T	95.1/10.5
R718	7030005120	S.RES ERJ2GEJ 102 X (1K)	B	116.2/53.3
R719	7030005120	S.RES ERJ2GEJ 102 X (1K)	B	117.1/53.3

[MAIN UNIT]

REF NO.	PARTS NO.	DESCRIPTION	M.	H/V LOCATION
R721	7030005090	S.RES ERJ2GEJ 104 X (100K)	T	93.5/71.2
R722	7030005090	S.RES ERJ2GEJ 104 X (100K)	T	93.5/72.8
R723	7030005090	S.RES ERJ2GEJ 104 X (100K)	T	93.5/74.6
R724	7030005090	S.RES ERJ2GEJ 104 X (100K)	T	90.7/76.4
R725	7030005090	S.RES ERJ2GEJ 104 X (100K)	T	89.7/76.4
R726	7030005050	S.RES ERJ2GEJ 103 X (10K)	B	137/22.7
R727	7030005050	S.RES ERJ2GEJ 103 X (10K)	B	68.1/5.3
R729	7030005090	S.RES ERJ2GEJ 104 X (100K)	B	135.7/14.9
R730	7030005090	S.RES ERJ2GEJ 104 X (100K)	B	138.4/14.9
R733	7030005090	S.RES ERJ2GEJ 104 X (100K)	B	121.6/53.3
R734	7030005090	S.RES ERJ2GEJ 104 X (100K)	B	120.7/53.3
R735	7030005090	S.RES ERJ2GEJ 104 X (100K)	B	119.8/53.3
R802	7030005240	S.RES ERJ2GEJ 473 X (47K)	B	100/27.4
R805	7030005240	S.RES ERJ2GEJ 473 X (47K)	T	116.4/12.5
R806	7030005240	S.RES ERJ2GEJ 473 X (47K)	T	113.7/12.5
R807	7030005240	S.RES ERJ2GEJ 473 X (47K)	T	114.6/12.5
R808	7030004970	S.RES ERJ2GEJ 470 X (47)	T	114.5/24.5
R809	7030005240	S.RES ERJ2GEJ 473 X (47K)	B	96.6/8.2
R810	7030005240	S.RES ERJ2GEJ 473 X (47K)	B	101.5/14.9
R811	7030007290	S.RES ERJ2GEJ 222 X (2.2K)	T	112.7/27.2
R812	7030005240	S.RES ERJ2GEJ 473 X (47K)	B	101.5/15.8
R813	7030004980	S.RES ERJ2GEJ 101 X (100)	T	112.7/26.3
R814	7030005240	S.RES ERJ2GEJ 473 X (47K)	T	116.3/24.5
R815	7030005240	S.RES ERJ2GEJ 473 X (47K)	T	118.1/24.5
R816	7030005240	S.RES ERJ2GEJ 473 X (47K)	T	111.8/15.5
R817	7030005240	S.RES ERJ2GEJ 473 X (47K)	B	106.8/20.2
R818	7030005240	S.RES ERJ2GEJ 473 X (47K)	B	106.8/17.7
R819	7030004970	S.RES ERJ2GEJ 470 X (47)	T	119.5/22.8
R820	7030005240	S.RES ERJ2GEJ 473 X (47K)	B	116.1/24.1
R822	7030005240	S.RES ERJ2GEJ 473 X (47K)	T	115.4/15.5
R824	7030005240	S.RES ERJ2GEJ 473 X (47K)	T	118.1/25.4
R825	7030005240	S.RES ERJ2GEJ 473 X (47K)	B	106.8/14.9
R826	7030005240	S.RES ERJ2GEJ 473 X (47K)	T	110.8/7.2
R827	7030005240	S.RES ERJ2GEJ 473 X (47K)	T	114.5/15.5
R828	7030005240	S.RES ERJ2GEJ 473 X (47K)	T	117.3/12.5
R830	7030005240	S.RES ERJ2GEJ 473 X (47K)	T	112/6.2
R831	7030005240	S.RES ERJ2GEJ 473 X (47K)	B	112.3/5.7
R832	7030005240	S.RES ERJ2GEJ 473 X (47K)	T	115.5/12.5
R833	7030005240	S.RES ERJ2GEJ 473 X (47K)	T	113.6/15.5
R834	7030005240	S.RES ERJ2GEJ 473 X (47K)	B	109.9/22.7
R835	7030005240	S.RES ERJ2GEJ 473 X (47K)	T	110.9/15.5
R836	7030005240	S.RES ERJ2GEJ 473 X (47K)	B	91/18.5
R837	7030005240	S.RES ERJ2GEJ 473 X (47K)	T	110/15.5
R838	7030005240	S.RES ERJ2GEJ 473 X (47K)	B	106.8/16.8
R839	7030005240	S.RES ERJ2GEJ 473 X (47K)	B	106.8/9.9
R840	7030004980	S.RES ERJ2GEJ 101 X (100)	B	91/12.7
R841	7030005120	S.RES ERJ2GEJ 102 X (1K)	B	88.6/12.7
R842	7030005000	S.RES ERJ2GEJ 471 X (470)	B	87.5/8
R843	7030005240	S.RES ERJ2GEJ 473 X (47K)	B	106.8/19.2
R844	7030005090	S.RES ERJ2GEJ 104 X (100K)	B	87.5/12.7
R845	7030010040	S.RES ERJ2GEJ-JPW	T	112.7/15.5
R846	7030010040	S.RES ERJ2GEJ-JPW	B	112.6/22.7
R847	7030004980	S.RES ERJ2GEJ 101 X (100)	B	97.6/22.2
R848	7030008400	S.RES ERJ2GEJ 182 X (1.8K)	B	87.5/22.2
R849	7030010040	S.RES ERJ2GEJ-JPW	B	128.6/22.4
R850	7030005040	S.RES ERJ2GEJ 472 X (4.7K)	B	96.5/20.4
R851	7030005050	S.RES ERJ2GEJ 103 X (10K)	B	88.6/24
R852	7030004980	S.RES ERJ2GEJ 101 X (100)	B	89.8/15
R853	7030009290	S.RES ERJ2GEJ 562 X (5.6K)	B	94.3/20.4
R854	7030005240	S.RES ERJ2GEJ 473 X (47K)	B	94.3/22.2
R855	7030005600	S.RES ERJ2GEJ 273 X (27K)	B	92.1/28.1
R856	7030005240	S.RES ERJ2GEJ 473 X (47K)	T	107.7/9.6
R857	7030005090	S.RES ERJ2GEJ 104 X (100K)	B	88.6/28.1
R858	7030005240	S.RES ERJ2GEJ 473 X (47K)	T	108.1/10.5
R859	7030005240	S.RES ERJ2GEJ 473 X (47K)	T	108.1/11.4
R860	7030005240	S.RES ERJ2GEJ 473 X (47K)	T	108.1/12.3
R861	7030005240	S.RES ERJ2GEJ 473 X (47K)	T	108.1/13.2
R862	7030005240	S.RES ERJ2GEJ 473 X (47K)	T	111.1/8.6
R863	7030005240	S.RES ERJ2GEJ 473 X (47K)	T	107.3/8.7
R864	7030004980	S.RES ERJ2GEJ 101 X (100)	B	87.5/25.8
R865	7030005070	S.RES ERJ2GEJ 683 X (68K)	B	92.1/22.2
R866	7030009710	S.RES ERJ2GEJ 203 X (20K)	B	93.2/22.2
R867	7030009710	S.RES ERJ2GEJ 203 X (20K)	B	94.3/28.1
R868	7030005170	S.RES ERJ2GEJ 474 X (470K)	B	144/42.6
R869	7030005240	S.RES ERJ2GEJ 473 X (47K)	B	142.7/42.1
R870	7030007350	S.RES ERJ2GEJ 393 X (39K)	B	144/41.6

[MAIN UNIT]

REF NO.	PARTS NO.	DESCRIPTION	M.	H/V LOCATION
R902	7030005120	S.RES ERJ2GEJ 102 X (1K)	T	128.9/32.1
R903	7030005120	S.RES ERJ2GEJ 102 X (1K)	T	128.9/30.3
R905	7030005240	S.RES ERJ2GEJ 473 X (47K)	T	122.4/23.8
R906	7030005530	S.RES ERJ2GEJ 100 X (10)	T	66.2/52.5
R907	7030005050	S.RES ERJ2GEJ 303 X (10K)	B	19.6/68.5
R908	7030005060	S.RES ERJ2GEJ 333 X (33K)	B	140.5/53.2
R909	7030008310	S.RES ERJ2GEJ 564 X (560K)	B	138.6/55.6
R910	7030005090	S.RES ERJ2GEJ 104 X (100K)	B	137.8/50
R912	7030005530	S.RES ERJ2GEJ 100 X (10)	B	133.3/43.3
R913	7030005040	S.RES ERJ2GEJ 472 X (4.7K)	B	74.7/59.6
R914	7030005120	S.RES ERJ2GEJ 102 X (1K)	B	100.3/16.8
R915	7030005120	S.RES ERJ2GEJ 102 X (1K)	B	100.3/18.1
R916	7030005120	S.RES ERJ2GEJ 102 X (1K)	B	100.3/19.2
R917	7030005120	S.RES ERJ2GEJ 102 X (1K)	B	100.3/11.8
R918	7030005120	S.RES ERJ2GEJ 102 X (1K)	B	106.8/8.1
R919	7030005120	S.RES ERJ2GEJ 102 X (1K)	T	85.9/7.9
R920	7030010040	S.RES ERJ2GEJ-JPW	T	106/14.8
R923	7030010040	S.RES ERJ2GEJ-JPW	B	41.3/67.5
R925	7030010040	S.RES ERJ2GEJ-JPW	T	125.2/37.5
R926	7030010040	S.RES ERJ2GEJ-JPW	T	111.9/30
R927	7030005060	S.RES ERJ2GEJ 333 X (33K)	B	77.8/27.6
R929	7520000300	S.POS PRF18BG471QB5RB	T	101.3/57.8
R930	7030003720	S.RES ERJ3GEYJ 224 V (220K)[USA-01]	T	153.5/39.6
	7030003720	S.RES ERJ3GEYJ 224 V (220K)[EXP-01]		
	7030003720	S.RES ERJ3GEYJ 224 V (220K)[USA-01]		
	7030003720	S.RES ERJ3GEYJ 224 V (220K)[EXP-01]		
	7030005110	S.RES ERJ2GEJ 224 X (220K) [USA-02]		
	7030005110	S.RES ERJ2GEJ 224 X (220K) [EXP-02]		
	7030005110	S.RES ERJ2GEJ 224 X (220K) [USA-02]		
	7030005110	S.RES ERJ2GEJ 224 X (220K) [EXP-02]		
R931	7030003700	S.RES ERJ3GEYJ 154 V (150K)[USA-01]	T	153.5/37.5
	7030003700	S.RES ERJ3GEYJ 154 V (150K)[EXP-01]		
	7030003700	S.RES ERJ3GEYJ 154 V (150K)[USA-01]		
	7030003700	S.RES ERJ3GEYJ 154 V (150K)[EXP-01]		
	7030005100	S.RES ERJ2GEJ 154 X (150K) [USA-02]		
	7030005100	S.RES ERJ2GEJ 154 X (150K) [EXP-02]		
	7030005100	S.RES ERJ2GEJ 154 X (150K) [USA-02]		
	7030005100	S.RES ERJ2GEJ 154 X (150K) [EXP-02]		
C4	4030016930	S.CER ECJ0EB1A104K	T	82.6/62.6
C5	4030017420	S.CER ECJ0EC1H470J	T	81.3/63.5
C6	4030017420	S.CER ECJ0EC1H470J	T	80.9/64.5
C10	4030017460	S.CER ECJ0EB1E102K	T	56.5/31.5
C11	4550003220	S.TAN TEESVA 1E 105M8R	T	61.2/33.3
C12	4030016930	S.CER ECJ0EB1A104K	B	64.5/27
C13	4550003220	S.TAN TEESVA 1E 105M8R	T	61.2/31.2
C14	4030017420	S.CER ECJ0EC1H470J	T	50.9/28
C15	4030017420	S.CER ECJ0EC1H470J	T	50.9/23.4
C16	4030017420	S.CER ECJ0EC1H470J	T	50.9/27.1
C17	4030017420	S.CER ECJ0EC1H470J	T	50.9/22.4
C18	4030017420	S.CER ECJ0EC1H470J	T	50.9/26.2
C19	4030018860	S.CER ECJ0EB0J105K	B	64.5/26
C20	4030017420	S.CER ECJ0EC1H470J	T	50.9/25.3
C21	4030016970	S.CER ECJ0EB1C223K	T	60.1/19
C23	4030016930	S.CER ECJ0EB1A104K	T	58.8/13.1
C24	4030017420	S.CER ECJ0EC1H470J	B	58.9/27
C25	4030017420	S.CER ECJ0EC1H470J	T	63.7/12.2
C26	4030016930	S.CER ECJ0EB1A104K	B	60.6/28
C27	4030017760	S.CER ECJ0EB1H222K	B	57.2/28
C30	4030017420	S.CER ECJ0EC1H470J	B	77.6/31.8
C31	4030016930	S.CER ECJ0EB1A104K	T	76.3/51.9
C32	4550007080	S.TAN TEESVA 1C 106M8R	T	76/49.4
C33	4030017420	S.CER ECJ0EC1H470J	T	79.3/63.5
C34	4030017620	S.CER ECJ0EC1H100C	T	80.7/51.3
C35	4030016930	S.CER ECJ0EB1A104K	B	78.7/40.2
C36	4030017710	S.CER ECJ0EC1H181J	T	60.6/22.2
C37	4030017460	S.CER ECJ0EB1E102K	T	53.5/17.2
C38	4030017030	S.CER ECJ0EB1A273K	T	76.4/24.3
C39	4030018240	S.CER ECJ0EB1E562K	T	76.4/23.3
C40	4030018860	S.CER ECJ0EB0J105K	T	56.9/18.1
C41	4030017740	S.CER ECJ0EB1E821K	T	62/20.8
C42	4030016930	S.CER ECJ0EB1A104K	T	72.3/24.3
C43	4030016930	S.CER ECJ0EB1A104K	B	71.9/32.9
C44	4030016930	S.CER ECJ0EB1A104K	B	67.9/28.3
C45	4030017690	S.CER ECJ0EC1H121J	B	65.7/29.9
C46	4030016930	S.CER ECJ0EB1A104K	T	100.1/63.2
C47	4030016930	S.CER ECJ0EB1A104K	T	73.5/38.3
C48	4030017460	S.CER ECJ0EB1E102K	T	76.5/61
C50	4030017420	S.CER ECJ0EC1H470J	T	78.4/51.9
C51	4030017400	S.CER ECJ0EC1H220J	B	52.7/20
C52	4030017400	S.CER ECJ0EC1H220J	B	54.6/20
C53	4030016930	S.CER ECJ0EB1A104K	B	32.6/21.5
C54	4030017500	S.CER ECJ0EC1H560J	B	29.1/21.7
C55	4030017570	S.CER ECJ0EC1H040B	B	27.9/22
C56	4030017590	S.CER ECJ0EC1H070C	B	26.7/21.6
C57	4030016930	S.CER ECJ0EB1A104K	T	109/65.3
C58	4030016930	S.CER ECJ0EB1A104K	T	105.8/65.3
C59	4030016930	S.CER ECJ0EB1A104K	T	84.3/35.1
C60	4030016930	S.CER ECJ0EB1A104K	T	73.5/35.6
C61	4030016930	S.CER ECJ0EB1A104K	T	62.8/8.2
C62	4030017660	S.CER ECJ0EC1H330J	B	61.2/7.6
C63	4030017660	S.CER ECJ0EC1H330J	B	61.2/11.1
C64	4030016930	S.CER ECJ0EB1A104K	T	107.7/74.2
C65	4030017420	S.CER ECJ0EC1H470J	T	107.7/75.1
C66	4030017460	S.CER ECJ0EB1E102K	T	103.1/63.2
C67	4030018860	S.CER ECJ0EB0J105K	T	104.1/63.2
C68	4030017420	S.CER ECJ0EC1H470J	T	105.8/67.1
C69	4030017910	S.CER ECJ0EB1H152K	T	105.8/68
C70	4030017460	S.CER ECJ0EB1E102K	B	88.2/47.8
C71	4030017620	S.CER ECJ0EC1H100C	B	88.2/50.1
C72	4030016930	S.CER ECJ0EB1A104K	B	90/46.2
C73	4030017430	S.CER ECJ0EC1H101J	B	82/52
C74	4030016930	S.CER ECJ0EB1A104K	T	63.7/21.7

[MAIN UNIT]

REF NO.	PARTS NO.	DESCRIPTION	M.	H/V LOCATION
C75	4030017460	S.CER ECJ0EB1E102K	B	70.6/59.5
C77	4030017460	S.CER ECJ0EB1E102K	T	68.5/28.4
C78	4030017460	S.CER ECJ0EB1E102K	T	70.4/26.7
C79	4030016930	S.CER ECJ0EB1A104K	T	105.8/72.4
C80	4030017420	S.CER ECJ0EC1H470J	T	99.4/73.9
C81	4030017760	S.CER ECJ0EB1H222K	T	100.3/73.9
C82	4030017460	S.CER ECJ0EB1E102K	T	105.9/31.6
C83	4030017460	S.CER ECJ0EB1E102K	B	81.9/48.7
C84	4030017460	S.CER ECJ0EB1E102K	B	80.1/48.7
C85	4030017350	S.CER ECJ0EC1H020B	T	65.7/62.8
C87	4030017340	S.CER ECJ0EC1H010B	T	64.3/65
C88	4030017530	S.CER ECJ0EC1H0R5B	T	62.2/66.3
C89	4030017550	S.CER ECJ0EC1H1R5B [USA-01]	T	61.5/65
	4030017550	S.CER ECJ0EC1H1R5B [EXP-01]		
	4030017550	S.CER ECJ0EC1H1R5B [USA-01]		
	4030017550	S.CER ECJ0EC1H1R5B [EXP-01]		
C90	4030017340	S.CER ECJ0EC1H010B [USA-02]	T	60.5/66.3
	4030017340	S.CER ECJ0EC1H010B [EXP-02]		
	4030017340	S.CER ECJ0EC1H010B [USA-02]		
	4030017340	S.CER ECJ0EC1H010B [EXP-02]		
C91	4030017460	S.CER ECJ0EB1E102K	B	89.1/46.2
C92	4030017460	S.CER ECJ0EB1E102K	T	26/31.3
C93	4030017690	S.CER ECJ0EC1H121J	T	102.1/73.9
C94	4030016780	S.CER ECJ0EB1C153K	T	105.8/75.1
C95	4030016790	S.CER ECJ0EB1C103K	T	26/33
C96	4030016930	S.CER ECJ0EB1A104K	T	33.9/29
C97	4030016930	S.CER ECJ0EB1A104K	T	39.9/28.1
C98	4030016930	S.CER ECJ0EB1A104K	T	83.3/42.2
C99	4030016930	S.CER ECJ0EB1A104K	T	85.3/36.8
C100	4030017620	S.CER ECJ0EC1H100C [USA-01]	T	62.3/52
	4030017620	S.CER ECJ0EC1H100C [EXP-01]		
	4030017620	S.CER ECJ0EC1H100C [USA-01]		
	4030017620	S.CER ECJ0EC1H100C [EXP-01]		
	4030017590	S.CER ECJ0EC1H070C [USA-02]		
	4030017590	S.CER ECJ0EC1H070C [EXP-02]		
	4030017590	S.CER ECJ0EC1H070C [USA-02]		
	4030017590	S.CER ECJ0EC1H070C [EXP-02]		
C101	4030017460	S.CER ECJ0EB1E102K	T	25.8/28.4
C102	4030017460	S.CER ECJ0EB1E102K	T	37.5/17.9
C103	4030017460	S.CER ECJ0EB1E102K	T	28.6/29
C104	4030017680	S.CER ECJ0EC1H820J	T	27/27.2
C105	4030017420	S.CER ECJ0EC1H470J	T	52.4/41.2
C106	4030016930	S.CER ECJ0EB1A104K	B	58.4/39.6
C107	4030016930	S.CER ECJ0EB1A104K	T	24.2/17.9
C108	4030016930	S.CER ECJ0EB1A104K	T	24.9/13.1
C109	4550006480	S.TAN TEESVA 1C 475M8R	B	57.9/42.5
C110	4030017420	S.CER ECJ0EC1H470J	T	60.1/41.2
C111	4030018860	S.CER ECJ0EB0J105K	B	62.6/39.9
C112	4030017460	S.CER ECJ0EB1E102K	B	62.6/40.8
C113	4030017420	S.CER ECJ0EC1H470J	T	66.2/40
C114	4030016790	S.CER ECJ0EB1C103K	T	26.9/31.3
C115	4030016790	S.CER ECJ0EB1C103K	T	24.2/29.6
C116	4030016790	S.CER ECJ0EB1C103K	T	28.4/36.3
C117	4030017460	S.CER ECJ0EB1E102K	B	71.3/48.9
C118	4030017400	S.CER ECJ0EC1H220J	T	36.4/40.1
C120	4030016790	S.CER ECJ0EB1C103K	T	21/35.1
C121	4030017350	S.CER ECJ0EC1H020B	T	23.1/36.3
C122	4030017640	S.CER ECJ0EC1H150J	T	28.4/41.5
C123	4550007080	S.TAN TEESVA 1C 106M8R	T	20.1/21.8
C124	4550000560	S.TAN TEESVA 1V 334M8R	B	66.9/47.3
C126	4030017350	S.CER ECJ0EC1H020B	T	32.3/36.3
C127	4030016930	S.CER ECJ0EB1A104K	B	143.3/66.8
C129	4030017460	S.CER ECJ0EB1E102K	T	21.7/23.9
C130	4030016930	S.CER ECJ0EB1A104K	T	26.8/17.9
C131	4030018080	S.CER ECJ0EB1H182K	T	28.8/17.9
C132	4030018080	S.CER ECJ0EB1H182K	T	29.8/17.9
C133	4030017580	S.CER ECJ0EC1H060C [USA-01]	T	48.2/45.1
	4030017580	S.CER ECJ0EC1H060C [EXP-01]		
	4030017580	S.CER ECJ0EC1H060C [USA-01]		
	4030017580	S.CER ECJ0EC1H060C [EXP-01]		
	4030017360	S.CER ECJ0EC1H030B [USA-02]		
	4030017360	S.CER ECJ0EC1H030B [EXP-02]		
	4030017360	S.CER ECJ0EC1H030B [USA-02]		
	4030017360	S.CER ECJ0EC1H030B [EXP-02]		
C134	4030017640	S.CER ECJ0EC1H150J [USA-01]	T	47.7/43.9
	4030017640	S.CER ECJ0EC1H150J [EXP-01]		
	4030017640	S.CER ECJ0EC1H150J [USA-01]		
	4030017640	S.CER ECJ0EC1H150J [EXP-01]		
	4030017380	S.CER ECJ0EC1H050B [USA-02]		
	4030017380	S.CER ECJ0EC1H050B [EXP-02]		
	4030017380	S.CER ECJ0EC1H050B [USA-02]		
	4030017380	S.CER ECJ0EC1H050B [EXP-02]		
C135	4030017360	S.CER ECJ0EC1H030B [USA-01]	T	55.9/45.2
	4030017360	S.CER ECJ0EC1H030B [EXP-01]		
	4030017360	S.CER ECJ0EC1H030B [USA-01]		
	4030017360	S.CER ECJ0EC1H030B [EXP-01]		
	4030017380	S.CER ECJ0EC1H050B [USA-02]		
	4030017380	S.CER ECJ0EC1H050B [EXP-02]		
	4030017380	S.CER ECJ0EC1H050B [USA-02]		
	4030017380	S.CER ECJ0EC1H050B [EXP-02]		
C138	4030017660	S.CER ECJ0EC1H330J [USA-01]	T	63/43.9
	4030017660	S.CER ECJ0EC1H330J [EXP-01]		
	4030017660	S.CER ECJ0EC1H330J [USA-01]		
	4030017660	S.CER ECJ0EC1H330J [EXP-01]		

[MAIN UNIT]

REF NO.	PARTS NO.	DESCRIPTION	M.	H/V LOCATION		
C139	4030017380	S.CER ECJ0EC1H050B [USA-01]	T	55.4/43.9		
	4030017380	S.CER ECJ0EC1H050B [EXP-01]				
	4030017380	S.CER ECJ0EC1H050B [USA-01]				
	4030017380	S.CER ECJ0EC1H050B [EXP-01]				
	4030017580	S.CER ECJ0EC1H060C [USA-02]				
	4030017580	S.CER ECJ0EC1H060C [EXP-02]				
	4030017580	S.CER ECJ0EC1H060C [USA-02]				
	4030017580	S.CER ECJ0EC1H060C [EXP-02]				
	C142	4030018860	S.CER ECJ0EB0J105K		B	62.7/53.9
	C143	4030017380	S.CER ECJ0EC1H050B [USA-01]		T	63.5/45.2
4030017380		S.CER ECJ0EC1H050B [EXP-01]				
4030017380		S.CER ECJ0EC1H050B [USA-01]				
4030017380		S.CER ECJ0EC1H050B [EXP-01]				
4030017350		S.CER ECJ0EC1H020B [USA-02]				
4030017350		S.CER ECJ0EC1H020B [EXP-02]				
4030017350		S.CER ECJ0EC1H020B [USA-02]				
4030017350		S.CER ECJ0EC1H020B [EXP-02]				
C144		4030017350	S.CER ECJ0EC1H020B	T	36.4/44.7	
C145		4030016790	S.CER ECJ0EB1C103K	B	36.6/43.4	
C146	4030017350	S.CER ECJ0EC1H020B	T	27.5/44.7		
C147	4030016790	S.CER ECJ0EB1C103K	B	27.9/43.4		
C148	4030016790	S.CER ECJ0EB1C103K	B	34.2/24.4		
C150	4030018910	S.CER C1608 JB 0J 475K-T	T	108.3/72.2		
C152	4030016930	S.CER ECJ0EB1A104K	T	102.1/63.2		
C153	4030017710	S.CER ECJ0EC1H181J	T	53.7/65.3		
C154	4030017360	S.CER ECJ0EC1H030B [USA-01]	T	54.7/52.2		
	4030017360	S.CER ECJ0EC1H030B [EXP-01]				
	4030017360	S.CER ECJ0EC1H030B [USA-01]				
	4030017360	S.CER ECJ0EC1H030B [EXP-01]				
	4030017570	S.CER ECJ0EC1H040B [USA-02]				
	4030017570	S.CER ECJ0EC1H040B [EXP-02]				
	4030017570	S.CER ECJ0EC1H040B [USA-02]				
	4030017570	S.CER ECJ0EC1H040B [EXP-02]				
	C155	4030016790	S.CER ECJ0EB1C103K		B	62.2/61.5
	C156	4550006250	S.TAN TEESVA 1A 106M8R		B	64.9/60.8
C157	4030017420	S.CER ECJ0EC1H470J	T	24/28.1		
C158	4030017430	S.CER ECJ0EC1H101J	T	98.7/68.8		
C159	4030017460	S.CER ECJ0EB1E102K	B	135.3/6.5		
C160	4030017460	S.CER ECJ0EB1E102K	B	70.3/6.6		
C161	4030018120	S.CER ECJ0EC1H110J [USA-01]	T	47.2/52.3		
	4030018120	S.CER ECJ0EC1H110J [EXP-01]				
	4030018120	S.CER ECJ0EC1H110J [USA-01]				
	4030018120	S.CER ECJ0EC1H110J [EXP-01]				
	4030017380	S.CER ECJ0EC1H050B [USA-02]				
	4030017380	S.CER ECJ0EC1H050B [EXP-02]				
	4030017380	S.CER ECJ0EC1H050B [USA-02]				
	4030017380	S.CER ECJ0EC1H050B [EXP-02]				
	C162	4030017580	S.CER ECJ0EC1H060C [USA-01]		T	47.6/50.7
	4030017580	S.CER ECJ0EC1H060C [EXP-01]				
4030017580	S.CER ECJ0EC1H060C [USA-01]					
4030017580	S.CER ECJ0EC1H060C [EXP-01]					
4030017380	S.CER ECJ0EC1H050B [USA-02]					
4030017380	S.CER ECJ0EC1H050B [EXP-02]					
4030017380	S.CER ECJ0EC1H050B [USA-02]					
4030017380	S.CER ECJ0EC1H050B [EXP-02]					
C163	4030016790	S.CER ECJ0EB1C103K	T	22.4/28.6		
C164	4030017630	S.CER ECJ0EC1H120J	T	48.1/52.3		
C165	4030017610	S.CER ECJ0EC1H090C [USA-01]	T	49/52.3		
	4030017610	S.CER ECJ0EC1H090C [EXP-01]				
	4030017610	S.CER ECJ0EC1H090C [USA-01]				
	4030017610	S.CER ECJ0EC1H090C [EXP-01]				
	4030017600	S.CER ECJ0EC1H080C [USA-02]				
	4030017600	S.CER ECJ0EC1H080C [EXP-02]				
	4030017600	S.CER ECJ0EC1H080C [USA-02]				
	4030017600	S.CER ECJ0EC1H080C [EXP-02]				
	C166	4030017600	S.CER ECJ0EC1H080C		T	55.2/50.7
	C167	4030017460	S.CER ECJ0EB1E102K		T	24/27.2
C168	4030017600	S.CER ECJ0EC1H080C [USA-01]	T	55.6/52.2		
	4030017600	S.CER ECJ0EC1H080C [EXP-01]				
	4030017600	S.CER ECJ0EC1H080C [USA-01]				
	4030017600	S.CER ECJ0EC1H080C [EXP-01]				
	4030017600	S.CER ECJ0EC1H080C [USA-01]				
	4030017600	S.CER ECJ0EC1H080C [EXP-01]				
	4030017630	S.CER ECJ0EC1H120J [USA-02]				
	4030017630	S.CER ECJ0EC1H120J [EXP-02]				
	4030017630	S.CER ECJ0EC1H120J [USA-02]				
	4030017630	S.CER ECJ0EC1H120J [EXP-02]				
C169	4030017380	S.CER ECJ0EC1H050B [USA-01]	T	56.5/52.2		
4030017380	S.CER ECJ0EC1H050B [EXP-01]					
4030017380	S.CER ECJ0EC1H050B [USA-01]					
4030017380	S.CER ECJ0EC1H050B [EXP-01]					
4030017610	S.CER ECJ0EC1H090C [USA-02]					
4030017610	S.CER ECJ0EC1H090C [EXP-02]					
4030017610	S.CER ECJ0EC1H090C [USA-02]					
4030017610	S.CER ECJ0EC1H090C [EXP-02]					
C170	4030017340	S.CER ECJ0EC1H010B	T	65.3/51.6		
C171	4030017550	S.CER ECJ0EC1H1R5B [USA-01]	T	62.7/50.7		
	4030017550	S.CER ECJ0EC1H1R5B [EXP-01]				
	4030017550	S.CER ECJ0EC1H1R5B [USA-01]				
	4030017550	S.CER ECJ0EC1H1R5B [EXP-01]				
	4030017340	S.CER ECJ0EC1H010B [USA-02]				
	4030017340	S.CER ECJ0EC1H010B [EXP-02]				
	4030017340	S.CER ECJ0EC1H010B [USA-02]				
	4030017340	S.CER ECJ0EC1H010B [EXP-02]				
	4030017340	S.CER ECJ0EC1H010B [USA-02]				
	4030017340	S.CER ECJ0EC1H010B [EXP-02]				
C172	4030017390	S.CER ECJ0EC1H180J [USA-01]	T	63.2/53.8		
4030017390	S.CER ECJ0EC1H180J [EXP-01]					
4030017390	S.CER ECJ0EC1H180J [USA-01]					
4030017390	S.CER ECJ0EC1H180J [EXP-01]					
4030017390	S.CER ECJ0EC1H180J [USA-01]					
4030017390	S.CER ECJ0EC1H180J [EXP-01]					
4030017630	S.CER ECJ0EC1H120J [USA-02]					
4030017630	S.CER ECJ0EC1H120J [EXP-02]					
4030017630	S.CER ECJ0EC1H120J [USA-02]					
4030017630	S.CER ECJ0EC1H120J [EXP-02]					

[MAIN UNIT]

REF NO.	PARTS NO.	DESCRIPTION	M.	H/V LOCATION		
C173	4030017630	S.CER ECJ0EC1H120J [USA-01]	T	64.1/53.8		
	4030017630	S.CER ECJ0EC1H120J [EXP-01]				
	4030017630	S.CER ECJ0EC1H120J [USA-01]				
	4030017630	S.CER ECJ0EC1H120J [EXP-01]				
	4030017620	S.CER ECJ0EC1H100C [USA-02]				
	4030017620	S.CER ECJ0EC1H100C [EXP-02]				
	4030017620	S.CER ECJ0EC1H100C [USA-02]				
	4030017620	S.CER ECJ0EC1H100C [EXP-02]				
	C174	4030016790	S.CER ECJ0EB1C103K		B	32.2/46.3
	C175	4030016790	S.CER ECJ0EB1C103K		B	34.9/52.9
C176	4030017350	S.CER ECJ0EC1H020B	T	29.6/58.1		
C178	4030016790	S.CER ECJ0EB1C103K	B	34.2/27.7		
C179	4030017460	S.CER ECJ0EB1E102K	B	72.2/24.8		
C180	4550007080	S.TAN TEESVA 1C 106M8R	T	53.4/15.6		
C181	4030017740	S.CER ECJ0EB1E821K	T	105.8/69.6		
C182	4030017460	S.CER ECJ0EB1E102K	B	104.2/76.9		
C183	4030017460	S.CER ECJ0EB1E102K	B	144.3/66.8		
C184	4030017460	S.CER ECJ0EB1E102K	T	103/75.6		
C185	4030016930	S.CER ECJ0EB1A104K	B	145.3/68.5		
C186	4030016930	S.CER ECJ0EB1A104K	T	50.8/52.3		
C187	4030017460	S.CER ECJ0EB1E102K	T	51.7/52.3		
C188	4030016930	S.CER ECJ0EB1A104K	T	58.3/52.3		
C189	4030017460	S.CER ECJ0EB1E102K	T	59.2/52.3		
C190	4030017530	S.CER ECJ0EC1HOR5B	T	51.6/57.2		
C191	4030016790	S.CER ECJ0EB1C103K	T	66.4/55.8		
C192	4030017520	S.CER ECJ0EC1HOR3B	T	59.1/57.2		
C193	4030017460	S.CER ECJ0EB1E102K	T	66.4/54.9		
C194	4030017530	S.CER ECJ0EC1HOR5B	T	61.3/58.9		
C195	4030017460	S.CER ECJ0EB1E102K	B	37.7/51.3		
C196	4030016790	S.CER ECJ0EB1C103K	B	38.7/51.3		
C197	4030017670	S.CER ECJ0EC1H390J [USA-01]	B	38.7/49.6		
	4030017670	S.CER ECJ0EC1H390J [EXP-01]				
	4030017670	S.CER ECJ0EC1H390J [USA-01]				
	4030017670	S.CER ECJ0EC1H390J [EXP-01]				
	4030017650	S.CER ECJ0EC1H270J [USA-02]				
	4030017650	S.CER ECJ0EC1H270J [EXP-02]				
	4030017650	S.CER ECJ0EC1H270J [USA-02]				
	4030017650	S.CER ECJ0EC1H270J [EXP-02]				
	C198	4030016790	S.CER ECJ0EB1C103K		B	32.2/48
	C199	4030017460	S.CER ECJ0EB1E102K		B	33.3/48
C200	4030017460	S.CER ECJ0EB1E102K	B	38.7/48		
C203	4030017420	S.CER ECJ0EC1H470J	B	62.7/54.8		
C204	4030017460	S.CER ECJ0EB1E102K	B	108.7/73.7		
C205	4030018900	S.CER ECJ0EB0J474K	B	79.7/26.4		
C206	4030016930	S.CER ECJ0EB1A104K	B	74.6/23.8		
C207	4030017730	S.CER ECJ0EB1E471K	T	53.4/63.6		
C208	4030017460	S.CER ECJ0EB1E102K	T	57.1/59.8		
C209	4030017460	S.CER ECJ0EB1E102K	T	53.7/66.3		
C210	4030017380	S.CER ECJ0EC1H050B	T	52.4/62		
C211	4030017580	S.CER ECJ0EC1H060C [USA-01]	T	55.4/63.8		
	4030017580	S.CER ECJ0EC1H060C [EXP-01]				
	4030017580	S.CER ECJ0EC1H060C [USA-01]				
	4030017580	S.CER ECJ0EC1H060C [EXP-01]				
	4030017360	S.CER ECJ0EC1H030B [USA-02]				
	4030017360	S.CER ECJ0EC1H030B [EXP-02]				
	4030017360	S.CER ECJ0EC1H030B [USA-02]				
	4030017360	S.CER ECJ0EC1H030B [EXP-02]				
	C212	4030017460	S.CER ECJ0EB1E102K		T	56.4/63.8
	C213	4030017460	S.CER ECJ0EB1E102K		B	51.8/63.5
C214	4030017460	S.CER ECJ0EB1E102K	B	55.4/63.6		
C215	4030017580	S.CER ECJ0EC1H060C	B	34.8/66.3		
C216	4030017630	S.CER ECJ0EC1H120J	B	36.7/66.3		
C217	4030017460	S.CER ECJ0EB1E102K	B	39.2/64.8		
C218	4030017580	S.CER ECJ0EC1H060C	B	38.1/66.3		
C219	4030017530	S.CER ECJ0EC1HOR5B	B	20.3/64.9		
C220	4030017340	S.CER ECJ0EC1H010B [USA-01]	B	18.7/63.4		
	4030017340	S.CER ECJ0EC1H010B [EXP-01]				
	4030017340	S.CER ECJ0EC1H010B [USA-01]				
	4030017340	S.CER ECJ0EC1H010B [EXP-01]				
	4030017530	S.CER ECJ0EC1HOR5B [USA-02]				
	4030017530	S.CER ECJ0EC1HOR5B [EXP-02]				
	4030017530	S.CER ECJ0EC1HOR5B [USA-02]				
	4030017530	S.CER ECJ0EC1HOR5B [EXP-02]				
	4030017530	S.CER ECJ0EC1HOR5B [USA-02]				
	4030017530	S.CER ECJ0EC1HOR5B [EXP-02]				
C221	4030017350	S.CER ECJ0EC1H020B [USA-01]	B	21.2/62.9		
4030017350	S.CER ECJ0EC1H020B [EXP-01]					
4030017350	S.CER ECJ0EC1H020B [USA-01]					
4030017350	S.CER ECJ0EC1H020B [EXP-01]					
4030017550	S.CER ECJ0EC1H1R5B [USA-02]					
4030017550	S.CER ECJ0EC1H1R5B [EXP-02]					
4030017550	S.CER ECJ0EC1H1R5B [USA-02]					
4030017550	S.CER ECJ0EC1H1R5B [EXP-02]					
C222	4030017570	S.CER ECJ0EC1H040B [USA-01]	T	19.6/58.1		
4030017570	S.CER ECJ0EC1H040B [EXP-01]					
4030017570	S.CER ECJ0EC1H040B [USA-01]					
4030017570	S.CER ECJ0EC1H040B [EXP-01]					
C223	4030017460	S.CER ECJ0EB1E102K	B	29.7/48		
C225	4030018080	S.CER ECJ0EB1H182K	T	30.8/17.9		
C226	4030017460	S.CER ECJ0EB1E102K	B	36/36.5		
C227	4030017460	S.CER ECJ0EB1E102K	T	48.4/66.3		
C228	4030017460	S.CER ECJ0EB1E102K	T	48.4/65.3		
C229	4030017620	S.CER ECJ0EC1H100C	T	45.5/63.4		
C232	4030017460	S.CER ECJ0EB1E102K	T	60.5/65		
C233	4030017460	S.CER ECJ0EB1E10				

[MAIN UNIT]

REF NO.	PARTS NO.	DESCRIPTION	M.	H/V LOCATION		
C266	4030017550	S.CER ECJ0EC1H1R5B [USA-01]	B	14.6/62.1		
	4030017550	S.CER ECJ0EC1H1R5B [EXP-01]				
	4030017550	S.CER ECJ0EC1H1R5B [USA-01]				
	4030017550	S.CER ECJ0EC1H1R5B [EXP-01]				
	4030017340	S.CER ECJ0EC1H010B [USA-02]				
	4030017340	S.CER ECJ0EC1H010B [EXP-02]				
	4030017340	S.CER ECJ0EC1H010B [USA-02]				
	4030017340	S.CER ECJ0EC1H010B [EXP-02]				
	C270	4030017460	S.CER ECJ0EB1E102K		B	13.9/65
	C272	4030017380	S.CER ECJ0EC1H050B		B	65.1/89.6
C273	4030017590	S.CER ECJ0EC1H070C	B	61.4/87.2		
C281	4030016790	S.CER ECJ0EB1C103K	B	61.2/90.6		
C282	4030017460	S.CER ECJ0EB1E102K	B	58.9/87.1		
C284	4030017730	S.CER ECJ0EB1E471K	B	58/88		
C285	4030017420	S.CER ECJ0EC1H470J	B	66.4/96.8		
C287	4030017420	S.CER ECJ0EC1H470J	B	62.1/89.9		
C288	4030017460	S.CER ECJ0EB1E102K	B	41.7/70.2		
C289	4030017340	S.CER ECJ0EC1H010B	T	45.9/66.3		
C292	4030016790	S.CER ECJ0EB1C103K	B	5.9/63.9		
C293	4030017460	S.CER ECJ0EB1E102K	B	6.4/62.4		
C294	4030017460	S.CER ECJ0EB1E102K	B	9.2/61.2		
C295	4030017460	S.CER ECJ0EB1E102K	B	6.5/60.6		
C296	4030016930	S.CER ECJ0EB1A104K	T	11.2/64.4		
C297	4030016930	S.CER ECJ0EB1A104K	T	12.3/67.5		
C298	4030017590	S.CER ECJ0EC1H070C [USA-01]	B	13.7/68.3		
	4030017590	S.CER ECJ0EC1H070C [EXP-01]				
	4030017590	S.CER ECJ0EC1H070C [USA-01]				
	4030017590	S.CER ECJ0EC1H070C [EXP-01]				
	4030017620	S.CER ECJ0EC1H100C [USA-02]				
	4030017620	S.CER ECJ0EC1H100C [EXP-02]				
	4030017620	S.CER ECJ0EC1H100C [USA-02]				
	4030017620	S.CER ECJ0EC1H100C [EXP-02]				
C299	4030016780	S.CER ECJ0EB1C153K	T	9.4/66.6		
C300	4030017460	S.CER ECJ0EB1E102K	T	11.2/67.5		
C301	4030017530	S.CER ECJ0EC1H0R5B	B	11/62.1		
C302	4030017460	S.CER ECJ0EB1E102K	B	21.9/69.4		
C303	4030017460	S.CER ECJ0EB1E102K	B	8/66.8		
C304	4030017420	S.CER ECJ0EC1H470J	B	8/67.9		
C306	4030016930	S.CER ECJ0EB1A104K	B	144.2/26.7		
C307	4030016930	S.CER ECJ0EB1A104K	B	133.8/14.9		
C308	4030016930	S.CER ECJ0EB1A104K	B	143.7/15.2		
C309	4030017420	S.CER ECJ0EC1H470J	B	118.9/106.5		
C310	4030018860	S.CER ECJ0EB0J105K	T	75.5/43.7		
C313	4030017460	S.CER ECJ0EB1E102K	B	131.7/95.7		
C321	4030017370	S.CER ECJ0EC1H3R5B	B	72.2/95.2		
C322	4030017460	S.CER ECJ0EB1E102K	B	68.2/96		
C323	4030017550	S.CER ECJ0EC1H1R5B	B	73.3/92.5		
C324	4030017420	S.CER ECJ0EC1H470J	B	69.1/96		
C326	4030017580	S.CER ECJ0EC1H060C [USA-01]	T	75.1/98.6		
	4030017580	S.CER ECJ0EC1H060C [EXP-01]				
	4030017580	S.CER ECJ0EC1H060C [USA-01]				
	4030017580	S.CER ECJ0EC1H060C [EXP-01]				
	4030017380	S.CER ECJ0EC1H050B [USA-02]				
	4030017380	S.CER ECJ0EC1H050B [EXP-02]				
	4030017380	S.CER ECJ0EC1H050B [USA-02]				
	4030017380	S.CER ECJ0EC1H050B [EXP-02]				
C329	4030017730	S.CER ECJ0EB1E471K	T	72.2/103.6		
C330	4030018860	S.CER ECJ0EB0J105K	T	4.1/62.6		
C331	4030017560	S.CER ECJ0EC1H2R5B [USA-01]	B	15.1/74		
	4030017560	S.CER ECJ0EC1H2R5B [EXP-01]				
	4030017560	S.CER ECJ0EC1H2R5B [USA-01]				
	4030017560	S.CER ECJ0EC1H2R5B [EXP-01]				
	4030017350	S.CER ECJ0EC1H020B [USA-02]				
	4030017350	S.CER ECJ0EC1H020B [EXP-02]				
	4030017350	S.CER ECJ0EC1H020B [USA-02]				
	4030017350	S.CER ECJ0EC1H020B [EXP-02]				
C332	4030017420	S.CER ECJ0EC1H470J	T	57.7/102.5		
C333	4510008530	S.ELE EEE1HA2R25R	T	58.7/106.2		
C334	4030017600	S.CER ECJ0EC1H080C [USA-01]	B	13.7/69.2		
	4030017600	S.CER ECJ0EC1H080C [EXP-01]				
	4030017600	S.CER ECJ0EC1H080C [USA-01]				
	4030017600	S.CER ECJ0EC1H080C [EXP-01]				
	4030017380	S.CER ECJ0EC1H050B [USA-02]				
	4030017380	S.CER ECJ0EC1H050B [EXP-02]				
	4030017380	S.CER ECJ0EC1H050B [USA-02]				
	4030017380	S.CER ECJ0EC1H050B [EXP-02]				
C335	4030011030	S.CER GRM31M4C2H1R5CY21L (GRM42-6 CK) [USA-02]	T	15.3/84		
	4030011030	S.CER GRM31M4C2H1R5CY21L (GRM42-6 CK) [EXP-02]				
	4030011030	S.CER GRM31M4C2H1R5CY21L (GRM42-6 CK) [USA-02]				
	4030011030	S.CER GRM31M4C2H1R5CY21L (GRM42-6 CK) [EXP-02]				
C336	4030017730	S.CER ECJ0EB1E471K	B	10.1/75.3		
C337	4030011050	S.CER GRM31M3C2H3R0CY21L (GRM42-6 CJ)	T	19.2/85.6		
C345	4030011060	S.CER GRM31M2C2H4R0CY21L (GRM42-6 CH) [USA-01]	T	28.6/106.2		
	4030011060	S.CER GRM31M2C2H4R0CY21L (GRM42-6 CH) [EXP-01]				
	4030011060	S.CER GRM31M2C2H4R0CY21L (GRM42-6 CH) [USA-01]				
	4030011060	S.CER GRM31M2C2H4R0CY21L (GRM42-6 CH) [EXP-01]				
	4030011050	S.CER GRM31M3C2H3R0CY21L (GRM42-6 CJ) [USA-02]				
	4030011050	S.CER GRM31M3C2H3R0CY21L (GRM42-6 CJ) [EXP-02]				
	4030011050	S.CER GRM31M3C2H3R0CY21L (GRM42-6 CJ) [USA-02]				
	4030011050	S.CER GRM31M3C2H3R0CY21L (GRM42-6 CJ) [EXP-02]				

[MAIN UNIT]

REF NO.	PARTS NO.	DESCRIPTION	M.	H/V LOCATION
C346	4030011040	S.CER GRM31M4C2H2R0CY21L (GRM42-6 CK)	T	26.7/103.6
C348	4030011040	S.CER GRM31M4C2H2R0CY21L (GRM42-6 CK) [USA-01]	T	26.7/100.8
	4030011040	S.CER GRM31M4C2H2R0CY21L (GRM42-6 CK) [EXP-01]		
	4030011040	S.CER GRM31M4C2H2R0CY21L (GRM42-6 CK) [USA-01]		
	4030011040	S.CER GRM31M4C2H2R0CY21L (GRM42-6 CK) [EXP-01]		
	4030011020	S.CER GRM31M4C2H1R0CY21L (GRM42-6 CK) [USA-02]		
	4030011020	S.CER GRM31M4C2H1R0CY21L (GRM42-6 CK) [EXP-02]		
C349	4030011020	S.CER GRM31M4C2H1R0CY21L (GRM42-6 CK)	T	28.5/98.2
C350	4550000560	S.TAN TEESVA 1V 334M8R	T	67/106.9
C351	4030017460	S.CER ECJ0EB1E102K	T	70.4/103.6
C352	4030017420	S.CER ECJ0EC1H470J	T	71.3/103.6
C353	4030017460	S.CER ECJ0EB1E102K	T	47/103.2
C354	4030017420	S.CER ECJ0EC1H470J	T	46/103.2
C355	4510009330	S.ELE EEEHA1E470WP	T	52.7/105.8
C356	4030017400	S.CER ECJ0EC1H220J	T	45/103.2
C357	4030017420	S.CER ECJ0EC1H470J	B	41.2/94.1
C359	4030017600	S.CER ECJ0EC1H080C [USA-01]	B	17.5/75.8
	4030017600	S.CER ECJ0EC1H080C [EXP-01]		
	4030017600	S.CER ECJ0EC1H080C [USA-01]		
	4030017600	S.CER ECJ0EC1H080C [EXP-01]		
	4030017630	S.CER ECJ0EC1H120J [USA-02]		
	4030017630	S.CER ECJ0EC1H120J [EXP-02]		
	4030017630	S.CER ECJ0EC1H120J [USA-02]		
	4030017630	S.CER ECJ0EC1H120J [EXP-02]		
C360	4030017460	S.CER ECJ0EB1E102K	B	23.5/75.3
C361	4510009270	S.ELE EEEHB1C220UR	B	60.8/95
C362	4030017460	S.CER ECJ0EB1E102K	T	8.8/70.8
C363	4030017590	S.CER ECJ0EC1H070C [USA-01]	B	13.7/78.8
	4030017590	S.CER ECJ0EC1H070C [EXP-01]		
	4030017590	S.CER ECJ0EC1H070C [USA-01]		
	4030017590	S.CER ECJ0EC1H070C [EXP-01]		
	4030017380	S.CER ECJ0EC1H050B [USA-02]		
	4030017380	S.CER ECJ0EC1H050B [EXP-02]		
	4030017380	S.CER ECJ0EC1H050B [USA-02]		
	4030017380	S.CER ECJ0EC1H050B [EXP-02]		
C364	4030017510	S.CER ECJ0EC1H680J	B	19.9/78.4
C365	4550003220	S.TAN TEESVA 1E 105M8R	T	105.2/97.9
C366	4550003220	S.TAN TEESVA 1E 105M8R	T	107.3/97.9
C367	4550003220	S.TAN TEESVA 1E 105M8R	T	95.3/97.9
C368	4550003220	S.TAN TEESVA 1E 105M8R	T	97.4/97.9
C369	4030016930	S.CER ECJ0EB1A104K	T	104.6/94.5
C370	4030017420	S.CER ECJ0EC1H470J	B	106.9/106.5
C371	4030017460	S.CER ECJ0EB1E102K	T	113/103.1
C372	4030018860	S.CER ECJ0EB0J105K	T	146.9/6.4
C373	4030011070	S.CER GRM31M2C2H5R0CY21L (GRM42-6 CH)	T	35/85.5
C374	4030017200	S.CER GRM31BR32J102KY01L (GHM1030 R)	T	27.7/88.7
C375	4030011050	S.CER GRM31M3C2H3R0CY21L (GRM42-6 CJ)	T	21.8/90.3
C376	4030011050	S.CER GRM31M3C2H3R0CY21L (GRM42-6 CJ) [USA-01]	T	23.9/90.3
	4030011050	S.CER GRM31M3C2H3R0CY21L (GRM42-6 CJ) [EXP-01]		
	4030011050	S.CER GRM31M3C2H3R0CY21L (GRM42-6 CJ) [USA-01]		
	4030011050	S.CER GRM31M3C2H3R0CY21L (GRM42-6 CJ) [EXP-01]		
	4030011040	S.CER GRM31M4C2H2R0CY21L (GRM42-6 CK) [USA-02]		
	4030011040	S.CER GRM31M4C2H2R0CY21L (GRM42-6 CK) [EXP-02]		
	4030011040	S.CER GRM31M4C2H2R0CY21L (GRM42-6 CK) [USA-02]		
	4030011040	S.CER GRM31M4C2H2R0CY21L (GRM42-6 CK) [EXP-02]		
C377	4030017420	S.CER ECJ0EC1H470J	B	39/97.6
C378	4030017420	S.CER ECJ0EC1H470J	B	80.5/108.8
C379	4030017460	S.CER ECJ0EB1E102K	B	81.8/95.3
C380	4030017730	S.CER ECJ0EB1E471K	B	80.8/95.3
C382	4030017460	S.CER ECJ0EB1E102K	T	65.6/98.6
C383	4030017520	S.CER ECJ0EC1H0R3B	B	34.6/88.7
C384	4030017570	S.CER ECJ0EC1H040B [USA-01]	B	26.5/76.1
	4030017570	S.CER ECJ0EC1H040B [EXP-01]		
	4030017570	S.CER ECJ0EC1H040B [USA-01]		
	4030017570	S.CER ECJ0EC1H040B [EXP-01]		
	4030017340	S.CER ECJ0EC1H010B [USA-02]		
	4030017340	S.CER ECJ0EC1H010B [EXP-02]		
	4030017340	S.CER ECJ0EC1H010B [USA-02]		
	4030017340	S.CER ECJ0EC1H010B [EXP-02]		
	4030017600	S.CER ECJ0EC1H080C [USA-01]		
	4030017600	S.CER ECJ0EC1H080C [EXP-01]		
	4030017600	S.CER ECJ0EC1H080C [USA-01]		
	4030017600	S.CER ECJ0EC1H080C [EXP-01]		
	4030017380	S.CER ECJ0EC1H050B [USA-02]		
	4030017380	S.CER ECJ0EC1H050B [EXP-02]		
	4030017380	S.CER ECJ0EC1H050B [USA-02]		
	4030017380	S.CER ECJ0EC1H050B [EXP-02]		

M.=Mounted side (T: Mounted on the Top side, B: Mounted on the Bottom side)
S.=Surface mount

[MAIN UNIT]

REF NO.	PARTS NO.	DESCRIPTION	M.	H/V LOCATION
C388	4030011070	S.CER GRM31M2C2H5R0CY21L (GRM42-6 CH) [USA-01]	T	13.9/92.3
	4030011070	S.CER GRM31M2C2H5R0CY21L (GRM42-6 CH) [EXP-01]		
	4030011070	S.CER GRM31M2C2H5R0CY21L (GRM42-6 CH) [USA-01]		
	4030011070	S.CER GRM31M2C2H5R0CY21L (GRM42-6 CH) [EXP-01]		
	4030011050	S.CER GRM31M3C2H3R0CY21L (GRM42-6 CJ) [USA-02]		
	4030011050	S.CER GRM31M3C2H3R0CY21L (GRM42-6 CJ) [EXP-02]		
	4030011050	S.CER GRM31M3C2H3R0CY21L (GRM42-6 CJ) [USA-02]		
	4030011050	S.CER GRM31M3C2H3R0CY21L (GRM42-6 CJ) [EXP-02]		
C389	4030011060	S.CER GRM31M2C2H4R0CY21L (GRM42-6 CH)	T	11.3/88.9
C391	4030011060	S.CER GRM31M2C2H4R0CY21L (GRM42-6 CH)	T	4.6/90.4
C392	4030017460	S.CER ECJ0EB1E102K	T	57.4/87.5
C393	4030016930	S.CER ECJ0EB1A104K	T	38.9/65
C394	4550006780	S.TAN TEESVB2 0J 476M8R	T	35.5/64.2
C395	4030016930	S.CER ECJ0EB1A104K	B	146.3/66.9
C396	4550007080	S.TAN TEESVA 1C 106M8R	B	106.3/76.1
C397	4030016930	S.CER ECJ0EB1A104K	B	150.7/72.1
C398	4030017460	S.CER ECJ0EB1E102K	B	108.8/75.5
C399	4550007080	S.TAN TEESVA 1C 106M8R	B	107.8/82.8
C400	4030018860	S.CER ECJ0EB0J105K	B	137.6/79.6
C401	4030006860	S.CER C1608 JB 1H 102K-T	B	10.9/86.6
C402	4030009530	S.CER C1608 CH 1H 030B-T	B	10.6/88.5
C403	4030017460	S.CER ECJ0EB1E102K	B	10.5/80.2
C404	4030017460	S.CER ECJ0EB1E102K	B	40.3/88.5
C405	4030017460	S.CER ECJ0EB1E102K	T	48.6/87.4
C406	4030016790	S.CER ECJ0EB1C103K	T	50.4/88.4
C407	4030017460	S.CER ECJ0EB1E102K	T	47.9/93.4
C408	4030016930	S.CER ECJ0EB1A104K	B	148.3/73.8
C409	4030016930	S.CER ECJ0EB1A104K	B	151.7/75.5
C410	4030018860	S.CER ECJ0EB0J105K	B	148.3/72.1
C411	4030017460	S.CER ECJ0EB1E102K	B	139.3/79.6
C412	4510009680	S.ELE EEEFK1E471P	T	144.1/87.7
C413	4030018900	S.CER ECJ0EB0J474K	B	148.4/78.3
C415	4030017460	S.CER ECJ0EB1E102K	T	113.9/106.3
C416	4030018860	S.CER ECJ0EB0J105K	B	115.1/105.6
C417	4030016930	S.CER ECJ0EB1A104K	B	111.2/103.8
C418	4030017460	S.CER ECJ0EB1E102K	B	137.2/105.6
C419	4030017420	S.CER ECJ0EC1H470J	B	62.7/51.2
C420	4030017420	S.CER ECJ0EC1H470J	B	83.6/6.1
C421	4030016930	S.CER ECJ0EB1A104K	B	34.2/23.3
C422	4030017420	S.CER ECJ0EC1H470J	B	72/9.1
C423	4030017420	S.CER ECJ0EC1H470J	B	66.4/5.3
C424	4030017420	S.CER ECJ0EC1H470J	B	72/11.3
C425	4030017460	S.CER ECJ0EB1E102K	T	154.2/85.6
C426	4030018860	S.CER ECJ0EB0J105K	T	79.8/25.5
C428	4030017710	S.CER ECJ0EC1H181J	B	145.3/70.2
C429	4550007080	S.TAN TEESVA 1C 106M8R	B	115.7/76.3
C431	4030006860	S.CER C1608 JB 1H 102K-T	B	9.3/102.6
C432	4030011070	S.CER GRM31M2C2H5R0CY21L (GRM42-6 CH)	T	15.8/104.3
			B	3.9/101.7
C433	4030017460	S.CER ECJ0EB1E102K	T	55.6/86.5
C434	4030016970	S.CER ECJ0EB1C223K	T	57.4/86.5
C435	4030017460	S.CER ECJ0EB1E102K	T	48.5/85.6
C437	4030017460	S.CER ECJ0EB1E102K	T	52.1/81.6
C438	4030017780	S.CER ECJ0EB1E472K	T	152.2/98.1
C440	4510009250	S.ELE EEEFK1C471P	T	113.4/103.8
C441	4030016930	S.CER ECJ0EB1A104K	T	155.7/82.1
C442	4030017420	S.CER ECJ0EC1H470J	T	148.5/78.7
C443	4510009340	S.ELE EEEHA1C101WP	T	148.5/71.5
C444	4510009340	S.ELE EEEHA1C101WP	B	148.7/62.3
C445	4550006770	S.TAN TEESVD2 1C 476M-12R	B	151.7/72.1
C446	4030016930	S.CER ECJ0EB1A104K	B	151.7/73.8
C448	4030017460	S.CER ECJ0EB1E102K	T	111.9/1.8
C449	4550007080	S.TAN TEESVA 1C 106M8R	T	109.1/93.6
C450	4030016930	S.CER ECJ0EB1A104K	B	106.2/82.5
C451	4030016930	S.CER ECJ0EB1A104K	T	107.3/92.6
C452	4550007080	S.TAN TEESVA 1C 106M8R	B	139.3/75.2
C454	4030017460	S.CER ECJ0EB1E102K	B	133.8/55.8
C455	4030018860	S.CER ECJ0EB0J105K	B	152.7/24.3
C456	4030017460	S.CER ECJ0EB1E102K	B	128.1/76.5
C457	4030016790	S.CER ECJ0EB1C103K	B	131.6/59.6
C458	4550007080	S.TAN TEESVA 1C 106M8R	T	121.9/76.4
C459	4510009680	S.ELE EEEFK1E471P	B	129/57.2
C460	4030016930	S.CER ECJ0EB1A104K		
C461	4030011050	S.CER GRM31M3C2H3R0CY21L (GRM42-6 CJ) [USA-01]	T	5.8/104.1
	4030011050	S.CER GRM31M3C2H3R0CY21L (GRM42-6 CJ) [EXP-01]		
	4030011050	S.CER GRM31M3C2H3R0CY21L (GRM42-6 CJ) [USA-01]		
	4030011050	S.CER GRM31M3C2H3R0CY21L (GRM42-6 CJ) [EXP-01]		
	4030011060	S.CER GRM31M2C2H4R0CY21L (GRM42-6 CH) [USA-02]		
	4030011060	S.CER GRM31M2C2H4R0CY21L (GRM42-6 CH) [EXP-02]		
	4030011060	S.CER GRM31M2C2H4R0CY21L (GRM42-6 CH) [USA-02]		
	4030011060	S.CER GRM31M2C2H4R0CY21L (GRM42-6 CH) [EXP-02]		
C463	4030017460	S.CER ECJ0EB1E102K	T	55.6/82.5
C464	4030017460	S.CER ECJ0EB1E102K	T	149.9/105
C465	4030017400	S.CER ECJ0EC1H220J	T	151.6/105
C466	4030017460	S.CER ECJ0EB1E102K	B	113.4/80.3
C467	4030017420	S.CER ECJ0EC1H470J	T	151.6/104.1

[MAIN UNIT]

REF NO.	PARTS NO.	DESCRIPTION	M.	H/V LOCATION
C468	4510008650	S.ELE EEEFK1C221P	T	136.1/53.1
C469	4030017460	S.CER ECJ0EB1E102K	T	140.7/71.9
C470	4510008650	S.ELE EEEFK1C221P	T	147.9/46.8
C471	4510005040	ELE 25 ME 1000 HC		
C472	4030005110	S.CER C2012 JB 1E 473K-T	B	151.5/54.4
C473	4030005110	S.CER C2012 JB 1E 473K-T	B	151.5/50.9
C474	4030017420	S.CER ECJ0EC1H470J	B	111.2/104.7
C475	4030017420	S.CER ECJ0EC1H470J	B	126.2/87.3
C476	4030017460	S.CER ECJ0EB1E102K	B	125.3/87.3
C477	4510009680	S.ELE EEEFK1E471P	T	128.3/87.2
C479	4030017460	S.CER ECJ0EB1E102K	T	151/61.2
C480	4030017460	S.CER ECJ0EB1E102K	T	151/65.9
C481	4550007080	S.TAN TEESVA 1C 106M8R	B	117.6/72.3
C482	4030016930	S.CER ECJ0EB1A104K	B	121.7/71.2
C484	4030009530	S.CER C1608 CH 1H 030B-T	B	24.9/22.1
C485	4030016930	S.CER ECJ0EB1A104K	T	24.9/8.8
C486	4030016930	S.CER ECJ0EB1A104K	T	27.2/7.2
C487	4030016930	S.CER ECJ0EB1A104K	T	25.9/17.9
C488	4030016790	S.CER ECJ0EB1C103K	B	119.8/82.4
C489	4550007890	S.TAN TEESVC 1V 106M12R	B	139.1/58.5
C491	4030016930	S.CER ECJ0EB1A104K	B	132.5/50
C492	4030016930	S.CER ECJ0EB1A104K	B	140.5/51.6
C493	4550007080	S.TAN TEESVA 1C 106M8R	B	138.1/48.2
C495	4030017420	S.CER ECJ0EC1H470J	B	104.6/106.5
C496	4030017420	S.CER ECJ0EC1H470J	B	137.2/106.6
C497	4030017420	S.CER ECJ0EC1H470J	B	133.2/106.6
C498	4030017420	S.CER ECJ0EC1H470J	T	106.9/107.4
C499	4030017420	S.CER ECJ0EC1H470J	B	129.3/106.2
C500	4030017420	S.CER ECJ0EC1H470J	T	138.1/106.8
C501	4030017420	S.CER ECJ0EC1H470J	B	122.3/106.5
C503	4030017420	S.CER ECJ0EC1H470J	T	105.1/107.4
C504	4030017420	S.CER ECJ0EC1H470J	B	113.4/105.6
C505	4030017420	S.CER ECJ0EC1H470J	B	130.3/106.2
C508	4030017420	S.CER ECJ0EC1H470J	B	108.9/106.5
C510	4030017420	S.CER ECJ0EC1H470J	B	102.8/106.5
C511	4030017420	S.CER ECJ0EC1H470J	B	150/57.9
C512	4030017420	S.CER ECJ0EC1H470J	T	135.5/106.8
C513	4030017420	S.CER ECJ0EC1H470J	B	150/47.4
C514	4030017460	S.CER ECJ0EB1E102K	T	74.8/16.8
C515	4030011600	S.CER C1608 JB 1E 104K-T	T	75.2/17.9
C516	4030017420	S.CER ECJ0EC1H470J	T	73.1/16.8
C517	4030017460	S.CER ECJ0EB1E102K	T	71.4/17.9
C518	4030017420	S.CER ECJ0EC1H470J	T	72.3/10.4
C519	4030017460	S.CER ECJ0EB1E102K	T	72.3/11.3
C520	4030017420	S.CER ECJ0EC1H470J	T	69.8/17.9
C521	4030017460	S.CER ECJ0EB1E102K	T	67.5/13.7
C522	4030019630	S.CER GRM31C2C1H104JA01L	B	74.7/46.7
C523	4030019630	S.CER GRM31C2C1H104JA01L	B	74.7/48.8
C525	4030017770	S.CER ECJ0EB1E332K	B	78.8/50.9
C526	4030016930	S.CER ECJ0EB1A104K	T	27.6/13.1
C539	4030017490	S.CER C1608 JB 1A 105K-T	B	149.3/76.1
C540	4030016930	S.CER ECJ0EB1A104K	B	143.3/72.1
C541	4030016940	S.CER ECJ0EB1A393K	T	85.3/42.2
C542	4030016930	S.CER ECJ0EB1A104K	T	85.3/40.5
C543	4030017790	S.CER ECJ0EB1E682K	T	86.3/38.8
C546	4030017580	S.CER ECJ0EC1H060C [USA-01]	T	75.1/102.4
			[EXP-01]	
			[USA-01]	
			[EXP-01]	
			[USA-02]	
			[EXP-02]	
			[USA-02]	
			[EXP-02]	
C547	4030011020	S.CER GRM31M4C2H1R0CY21L (GRM42-6 CK) [USA-01]	T	30.1/102.2
	4030011020	S.CER GRM31M4C2H1R0CY21L (GRM42-6 CK) [EXP-01]		
	4030011020	S.CER GRM31M4C2H1R0CY21L (GRM42-6 CK) [USA-01]		
	4030011020	S.CER GRM31M4C2H1R0CY21L (GRM42-6 CK) [EXP-01]		
C548	4030016930	S.CER ECJ0EB1A104K	T	24.9/10.9
C549	4030016970	S.CER ECJ0EB1C223K	T	90/38.8
C550	4030017460	S.CER ECJ0EB1E102K	B	128.1/80.9
C551	4030019270	S.CER C5750 JF 1E 476ZT	B	154.1/35.2
C552	4550006780	S.TAN TEESVB2 0J 476M8R	B	150.2/21.7
C553	4030017460	S.CER ECJ0EB1E102K	B	148.9/30.9
C554	4030017780	S.CER ECJ0EB1E472K	B	148.9/24.3
C555	4030018860	S.CER ECJ0EB0J105K	B	153.7/24.3
C556	4550006780	S.TAN TEESVB2 0J 476M8R	B	150.2/18.4
C564	4030017730	S.CER ECJ0EB1E471K	B	57.5/33.7
C565	4030017420	S.CER ECJ0EC1H470J	B	111.2/106.5
C566	4030017420	S.CER ECJ0EC1H470J	B	116.8/106.5
C567	4030017420	S.CER ECJ0EC1H470J	B	126.3/106.5
C568	4030016930	S.CER ECJ0EB1A104K	T	77.2/43.7
C570	4030016930	S.CER ECJ0EB1A104K	B	60.6/29
C572	4030016790	S.CER ECJ0EB1C103K	B	136.9/5.7

[MAIN UNIT]

REF NO.	PARTS NO.	DESCRIPTION	M.	H/V LOCATION
C577	4030011070	S.CER GRM31M2C2H5R0CY21L (GRM42-6 CH) [USA-01]	T	16.6/92.3
	4030011070	S.CER GRM31M2C2H5R0CY21L (GRM42-6 CH) [EXP-01]		
	4030011070	S.CER GRM31M2C2H5R0CY21L (GRM42-6 CH) [USA-01]		
	4030011070	S.CER GRM31M2C2H5R0CY21L (GRM42-6 CH) [EXP-01]		
	4030011060	S.CER GRM31M2C2H4R0CY21L (GRM42-6 CH) [USA-02]		
	4030011060	S.CER GRM31M2C2H4R0CY21L (GRM42-6 CH) [EXP-02]		
	4030011060	S.CER GRM31M2C2H4R0CY21L (GRM42-6 CH) [USA-02]		
	4030011060	S.CER GRM31M2C2H4R0CY21L (GRM42-6 CH) [EXP-02]		
C601	4030018860	S.CER ECJ0EB0J105K	B	98.7/48.5
C602	4030017700	S.CER ECJ0EC1H151J	B	96.6/49.6
C603	4030017350	S.CER ECJ0EC1H020B	B	96.6/48.5
C604	4030017630	S.CER ECJ0EC1H120J	B	101.2/42.4
C605	4030017400	S.CER ECJ0EC1H220J	B	98.4/51.5
C607	4030017030	S.CER ECJ0EB1A273K	T	126.3/41.5
C608	4030017460	S.CER ECJ0EB1E102K	B	125.1/70.3
C611	4030016930	S.CER ECJ0EB1A104K	B	134.8/14.9
C613	4030016930	S.CER ECJ0EB1A104K	B	137.5/14.9
C614	4030016930	S.CER ECJ0EB1A104K	B	135.2/22.7
C616	4030016930	S.CER ECJ0EB1A104K	B	138/22.7
C617	4030016930	S.CER ECJ0EB1A104K	T	94.3/67.2
C618	4030016930	S.CER ECJ0EB1A104K	T	115.9/92.5
C619	4550006780	S.TAN TEESVB2 0J 476M8R	T	120.7/51.4
C620	4030016930	S.CER ECJ0EB1A104K	T	87.7/76
C621	4030016930	S.CER ECJ0EB1A104K	B	101.2/31.5
C622	4030016930	S.CER ECJ0EB1A104K	B	119.9/27.3
C623	4030016930	S.CER ECJ0EB1A104K	T	124/37.1
C624	4030016930	S.CER ECJ0EB1A104K	B	105.7/56.5
C625	4030016930	S.CER ECJ0EB1A104K	B	109.7/64
C626	4030016930	S.CER ECJ0EB1A104K	T	125/41.8
C628	4030016930	S.CER ECJ0EB1A104K	T	108.4/42.7
C629	4030016930	S.CER ECJ0EB1A104K	T	110.7/30.2
C630	4030016930	S.CER ECJ0EB1A104K	T	105.7/46
C631	4030016930	S.CER ECJ0EB1A104K	B	101.2/39.7
C632	4030016930	S.CER ECJ0EB1A104K	T	81/12.2
C633	4030016930	S.CER ECJ0EB1A104K	B	131.7/61.6
C634	4030016930	S.CER ECJ0EB1A104K	B	110.6/55.4
C635	4030016930	S.CER ECJ0EB1A104K	T	122.5/48
C636	4030017460	S.CER ECJ0EB1E102K	B	127.9/61.4
C637	4030016930	S.CER ECJ0EB1A104K	T	125/47.1
C638	4030016930	S.CER ECJ0EB1A104K	T	118.5/49.4
C639	4030016930	S.CER ECJ0EB1A104K	B	111.4/52.7
C640	4030018860	S.CER ECJ0EB0J105K	T	108.4/41.7
C641	4030017460	S.CER ECJ0EB1E102K	T	110.7/31.1
C642	4030016930	S.CER ECJ0EB1A104K	B	111.7/53.6
C645	4030016930	S.CER ECJ0EB1A104K	B	113.1/55.2
C646	4030016930	S.CER ECJ0EB1A104K	B	110.6/54.5
C801	4030016790	S.CER ECJ0EB1C103K	T	112.7/24.5
C802	4030016930	S.CER ECJ0EB1A104K	T	117/21.9
C803	4030016790	S.CER ECJ0EB1C103K	T	112.7/23.5
C805	4030017380	S.CER ECJ0EC1H050B	T	112.7/28.1
C806	4030016930	S.CER ECJ0EB1A104K	T	112.7/25.4
C808	4030016930	S.CER ECJ0EB1A104K	T	118.1/27.2
C809	4030016930	S.CER ECJ0EB1A104K	T	121.3/22.8
C810	4030017430	S.CER ECJ0EC1H101J	T	118.1/26.3
C811	4030018910	S.CER C1608 JB 0J 475K-T	B	124/18.8
C812	4030016930	S.CER ECJ0EB1A104K	B	110.8/22.7
C813	4030018910	S.CER C1608 JB 0J 475K-T	B	89.8/17.6
C814	4030016930	S.CER ECJ0EB1A104K	B	91/16.7
C816	4030016930	S.CER ECJ0EB1A104K	B	87.5/15
C817	4030016930	S.CER ECJ0EB1A104K	B	92.1/12.7
C818	4030016930	S.CER ECJ0EB1A473K	B	93.2/12.7
C819	4030018860	S.CER ECJ0EB0J105K	B	89.8/12.7
C820	4030016790	S.CER ECJ0EB1C103K	B	106.8/15.9
C821	4030016930	S.CER ECJ0EB1A104K	B	96.5/22.2
C822	4030018860	S.CER ECJ0EB0J105K	T	119.2/12.5
C823	4030018860	S.CER ECJ0EB0J105K	B	87.5/20.4
C825	4030016930	S.CER ECJ0EB1A473K	B	91/15
C826	4030016790	S.CER ECJ0EB1C103K	T	109.1/15.5
C827	4030017460	S.CER ECJ0EB1E102K	B	97.6/20.4
C828	4030017460	S.CER ECJ0EB1E102K	B	88.6/22.2
C829	4030018860	S.CER ECJ0EB0J105K	B	87.5/24
C830	4030018860	S.CER ECJ0EB0J105K	B	88.6/16.7
C831	4030016790	S.CER ECJ0EB1C103K	B	91/28.1
C832	4030017420	S.CER ECJ0EC1H470J	B	88.6/25.8
C833	4030016790	S.CER ECJ0EB1C103K	B	145.3/33.4
C834	4030016930	S.CER ECJ0EB1A104K	B	89.8/28.1
C835	4550006780	S.TAN TEESVB2 0J 476M8R	B	144.4/31.2
C836	4030016930	S.CER ECJ0EB1A104K	B	143.4/33.4
C837	4030017420	S.CER ECJ0EC1H470J	B	87.5/16.7
C838	4550006780	S.TAN TEESVB2 0J 476M8R	B	144.4/35.6
C839	4030017450	S.CER ECJ0EB1E271K	B	93.2/28.1
C840	4550007080	S.TAN TEESVA 1C 106M8R	B	131.8/24.4
C841	4030016930	S.CER ECJ0EB1A104K	T	44.3/14.1
C842	4030017730	S.CER ECJ0EB1E471K	B	95.4/28.1
C843	4030017460	S.CER ECJ0EB1E102K	T	46.2/13.2
C844	4030016930	S.CER ECJ0EB1A104K	T	46.2/11.2
C845	4030017680	S.CER ECJ0EC1H820J	B	97.6/28.1
C846	4030016930	S.CER ECJ0EB1A104K	B	131/29.4
C847	4030017730	S.CER ECJ0EB1E471K	T	44.3/15.1
C848	4030018910	S.CER C1608 JB 0J 475K-T	T	47.3/8.9
C849	4030016930	S.CER ECJ0EB1A104K	T	47.4/21.3
C850	4030017590	S.CER ECJ0EC1H070C	T	44.3/18.2
C851	4030016930	S.CER ECJ0EB1A104K	T	42.6/18.2
C852	4030018860	S.CER ECJ0EB0J105K	B	132.6/29.4
C853	4030017770	S.CER ECJ0EB1E332K	B	147.4/48.3
C854	4030017460	S.CER ECJ0EB1E102K	B	132.6/30.3

[MAIN UNIT]

REF NO.	PARTS NO.	DESCRIPTION	M.	H/V LOCATION
C855	4030016930	S.CER ECJ0EB1A104K	T	46.2/16.1
C856	4030016930	S.CER ECJ0EB1A104K	T	44.3/23
C857	4550007080	S.TAN TEESVA 1C 106M8R	B	144.5/49.5
C858	4030018910	S.CER C1608 JB 0J 475K-T	T	46.7/18.2
C859	4030016930	S.CER ECJ0EB1A104K	B	143.4/51.1
C860	4030017460	S.CER ECJ0EB1E102K	B	132.6/34.8
C862	4030016930	S.CER ECJ0EB1A104K	B	131/30.3
C863	4030016930	S.CER ECJ0EB1A104K	B	100/23
C864	4030016930	S.CER ECJ0EB1A104K	B	124/22.2
C865	4030016930	S.CER ECJ0EB1A104K	T	111.9/10.8
C866	4030018910	S.CER C1608 JB 0J 475K-T	B	107/11.7
C867	4030016930	S.CER ECJ0EB1A104K	B	114.2/5.7
C868	4030018860	S.CER ECJ0EB0J105K	B	106.8/13.4
C869	4030018860	S.CER ECJ0EB0J105K	B	113.5/22.7
C870	4030016930	S.CER ECJ0EB1A104K	B	114.4/22.7
C871	4030016930	S.CER ECJ0EB1A104K	B	124/13.3
C872	4030017460	S.CER ECJ0EB1E102K	B	124/15.6
C873	4030017460	S.CER ECJ0EB1E102K	T	118.3/12.5
C874	4030016930	S.CER ECJ0EB1A104K	T	122.4/25.4
C875	4030016930	S.CER ECJ0EB1A104K	T	128.9/31.2
C876	4030017340	S.CER ECJ0EC1H010B [USA-01]	T	63.7/51.6
	4030017340	S.CER ECJ0EC1H010B [EXP-01]		
	4030017340	S.CER ECJ0EC1H010B [USA-01]		
	4030017340	S.CER ECJ0EC1H010B [EXP-01]		
	4030017540	S.CER ECJ0EC1HR75B [USA-02]		
	4030017540	S.CER ECJ0EC1HR75B [EXP-02]		
	4030017540	S.CER ECJ0EC1HR75B [USA-02]		
	4030017540	S.CER ECJ0EC1HR75B [EXP-02]		
C877	4030017460	S.CER ECJ0EB1E102K	B	64.3/54.8
C878	4030017390	S.CER ECJ0EC1H180J [USA-01]	B	11.5/75.8
	4030017390	S.CER ECJ0EC1H180J [EXP-01]		
	4030017390	S.CER ECJ0EC1H180J [USA-01]		
	4030017390	S.CER ECJ0EC1H180J [EXP-01]		
	4030017640	S.CER ECJ0EC1H150J [USA-02]		
	4030017640	S.CER ECJ0EC1H150J [EXP-02]		
	4030017640	S.CER ECJ0EC1H150J [USA-01]	B	11.5/71.3
	4030017390	S.CER ECJ0EC1H180J [EXP-01]		
	4030017390	S.CER ECJ0EC1H180J [USA-01]		
	4030017390	S.CER ECJ0EC1H180J [EXP-01]		
	4030017640	S.CER ECJ0EC1H150J [USA-02]		
	4030017640	S.CER ECJ0EC1H150J [EXP-02]		
C880	4030017610	S.CER ECJ0EC1H090C	B	11.9/62.1
C881	4030017550	S.CER ECJ0EC1H1R5B [USA-01]	B	13.2/61.7
	4030017550	S.CER ECJ0EC1H1R5B [EXP-01]		
	4030017550	S.CER ECJ0EC1H1R5B [USA-01]		
	4030017550	S.CER ECJ0EC1H1R5B [EXP-01]		
	4030017340	S.CER ECJ0EC1H010B [USA-02]		
	4030017340	S.CER ECJ0EC1H010B [EXP-02]		
	4030017340	S.CER ECJ0EC1H010B [USA-01]	B	16.1/67.6
	4030017610	S.CER ECJ0EC1H090C [EXP-01]		
	4030017610	S.CER ECJ0EC1H090C [USA-01]		
	4030017610	S.CER ECJ0EC1H090C [EXP-01]		
	4030017610	S.CER ECJ0EC1H090C [USA-01]		
	4030017580	S.CER ECJ0EC1H060C [USA-02]		
	4030017580	S.CER ECJ0EC1H060C [EXP-02]		
	4030017580	S.CER ECJ0EC1H060C [USA-02]		
	4030017580	S.CER ECJ0EC1H060C [EXP-02]		
C883	4030017550	S.CER ECJ0EC1H1R5B [USA-01]	B	16.1/63.4
	4030017550	S.CER ECJ0EC1H1R5B [EXP-01]		
	4030017550	S.CER ECJ0EC1H1R5B [USA-01]		
	4030017550	S.CER ECJ0EC1H1R5B [EXP-01]		
	4030017340	S.CER ECJ0EC1H010B [USA-02]		
	4030017340	S.CER ECJ0EC1H010B [EXP-02]		
C884	4030017610	S.CER ECJ0EC1H090C [USA-01]	B	19.6/67.5
	4030017610	S.CER ECJ0EC1H090C [EXP-01]		
	4030017610	S.CER ECJ0EC1H090C [USA-01]		
	4030017610	S.CER ECJ0EC1H090C [EXP-01]		
	4030017380	S.CER ECJ0EC1H050B [USA-02]		
	4030017380	S.CER ECJ0EC1H050B [EXP-02]		
	4030017380	S.CER ECJ0EC1H050B [USA-02]		
	4030017380	S.CER ECJ0EC1H050B [EXP-02]		
C886	4550007710	S.TAN TEESVB2 1A 476M8R	B	137.8/45.5
C887	4030017460	S.CER ECJ0EB1E102K	B	139.5/55.6
C888	4030017490	S.CER C1608 JB 1A 105K-T	T	6.9/69.1
C890	4030017420	S.CER ECJ0EC1H470J	B	7.9/70.8
C891	4030016930	S.CER ECJ0EB1A104K	B	131.7/43.3
C892	4550006470	S.TAN TEESVB2 1D 106M8R	B	78.3/57.7
C893	4030017460	S.CER ECJ0EB1E102K	B	74.8/55

[MAIN UNIT]

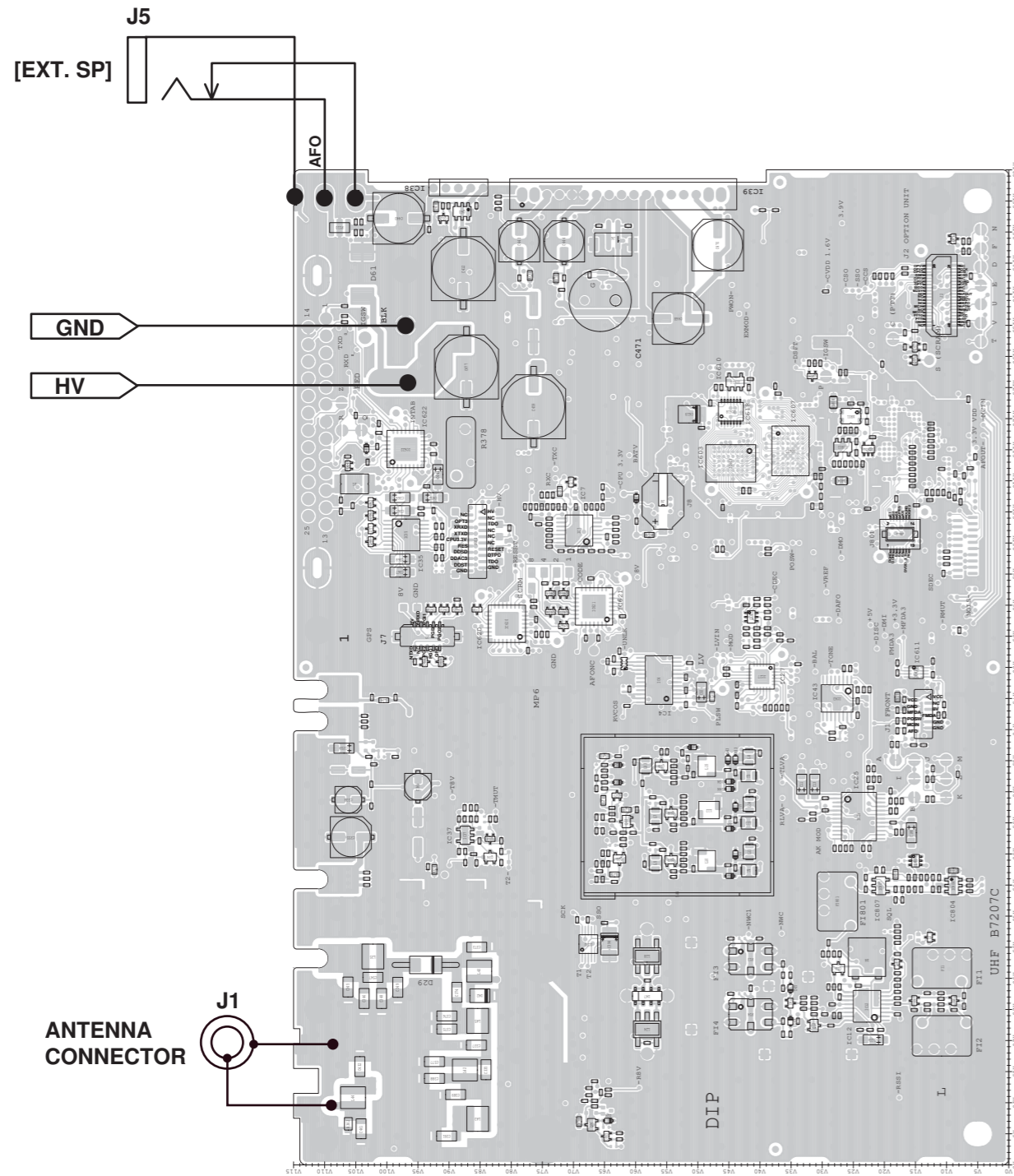
REF NO.	PARTS NO.	DESCRIPTION	M.	H/V LOCATION
J1	6510024522	S.CON 12FLT-SM2-TB(LF)(SN)(M)	T	72.5/14
J2	6510026770	S.CON AXK540147YG	T	139.8/10.8
J5	6450000140	CON HSJ0807-01-010		
J6	6510014961	S.CON B2B-ZR-SM4-TF(LF)(SN)	T	148/63.6
J7	6510021301	S.CON 52365-1071	T	84.9/93.5
J8	2610000500	S.CON PB-614SS13-TF	T	106.7/55.6
J11	6510023210	CON CD6125SA1J0 <CVI>		
J602	6510023092	S.CON 20FLT-SM2-TB(LF)(SN)(M)	T	100/85.7
J801	6510026220	S.CON AXK5F14547YG	T	101.4/17.5
S1	2260003070	S.SWI MINISMDC150F/24-2	T	109.5/105.2
BT601	3020000340	LIT ML-614S/ZT		
W2	7030012290	JUM RDS2T0R0		
W3	8900016250	CAB OPC-1701 <CMI>T/H!		
EP2	6910016330	S.BEA MMZ1005S 601CT-S	T	55/18.6
EP3	6910015600	S.BEA ACZ1005Y-241 (240)	T	58.9/29.5
EP4	6910016330	S.BEA MMZ1005S 601CT-S	B	60/56.6
EP5	6910016330	S.BEA MMZ1005S 601CT-S	B	88.2/46.2
EP10	6910016330	S.BEA MMZ1005S 601CT-S	B	133.8/56.8
EP11	6910016330	S.BEA MMZ1005S 601CT-S	T	67.5/15.3
EP12	6910016330	S.BEA MMZ1005S 601CT-S	T	69.8/16.8
EP15	6910018460	S.BEA MMZ1005Y102C-T	T	50.6/55.6
EP16	6910018460	S.BEA MMZ1005Y102C-T	T	58.1/55.6
EP601	6910016330	S.BEA MMZ1005S 601CT-S	T	109.1/30.2
EP801	6910016330	S.BEA MMZ1005S 601CT-S	B	88.6/18.5
EP802	6910016330	S.BEA MMZ1005S 601CT-S	B	145.6/51.1
EP803	6910016330	S.BEA MMZ1005S 601CT-S	B	128.6/21.5

M.=Mounted side (T: Mounted on the Top side, B: Mounted on the Bottom side)
S.=Surface mount

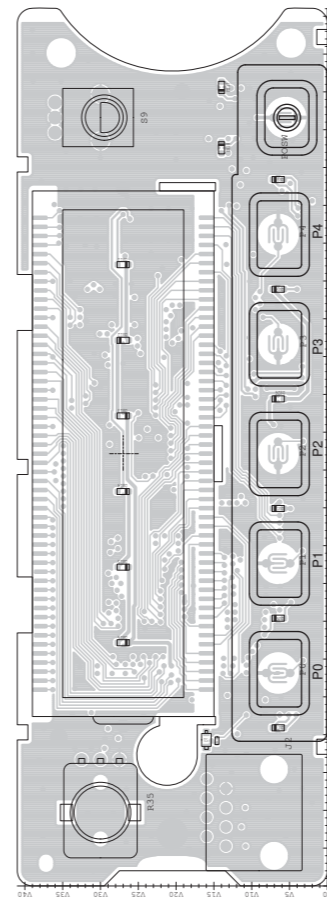
BOARD LAYOUTS

The combination of top side and bottom side of this page shows the actual configuration of P.C. board.

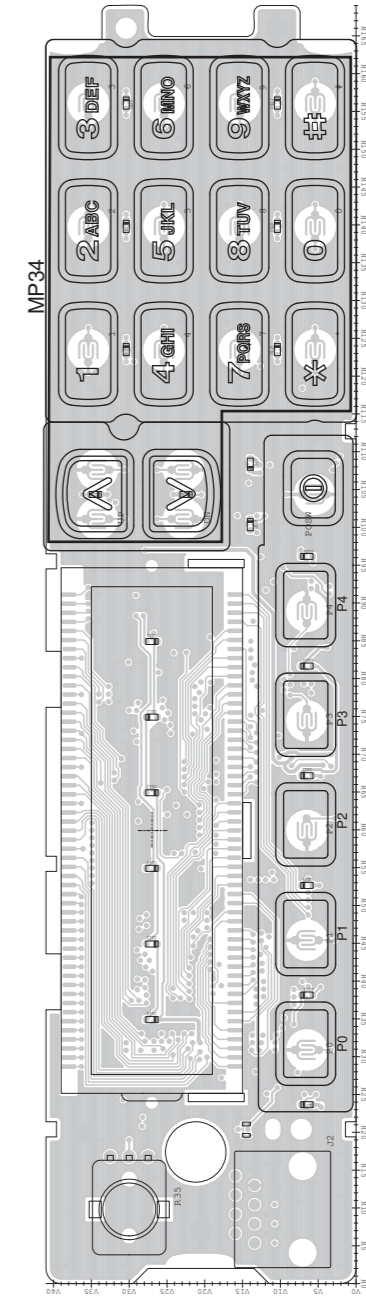
• MAIN UNIT (TOP VIEW)



• FRONT-A UNIT (For F9521S, F9523S) (TOP VIEW)

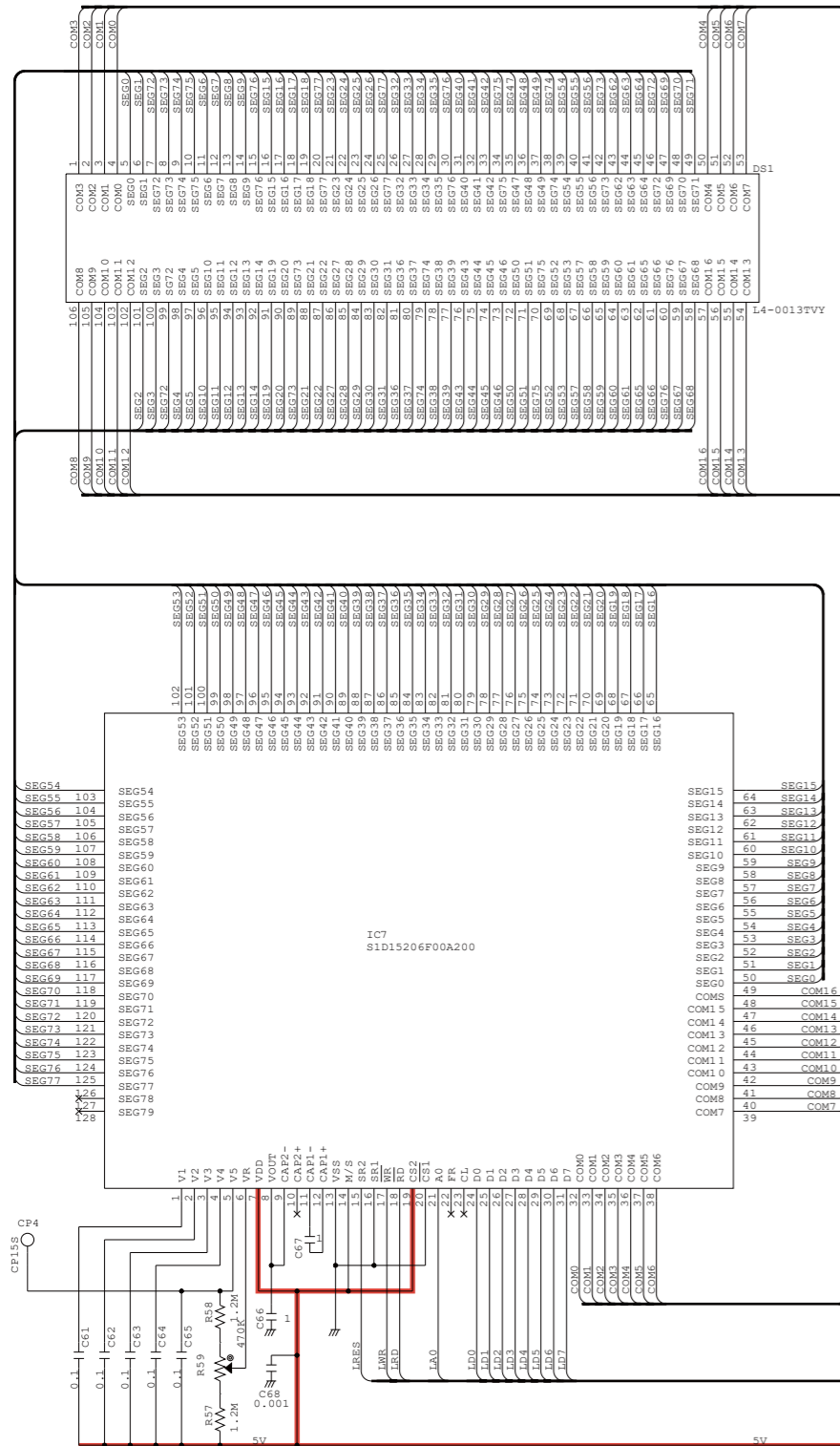


• FRONT-B UNIT (For F9521T, F9523T) (TOP VIEW)

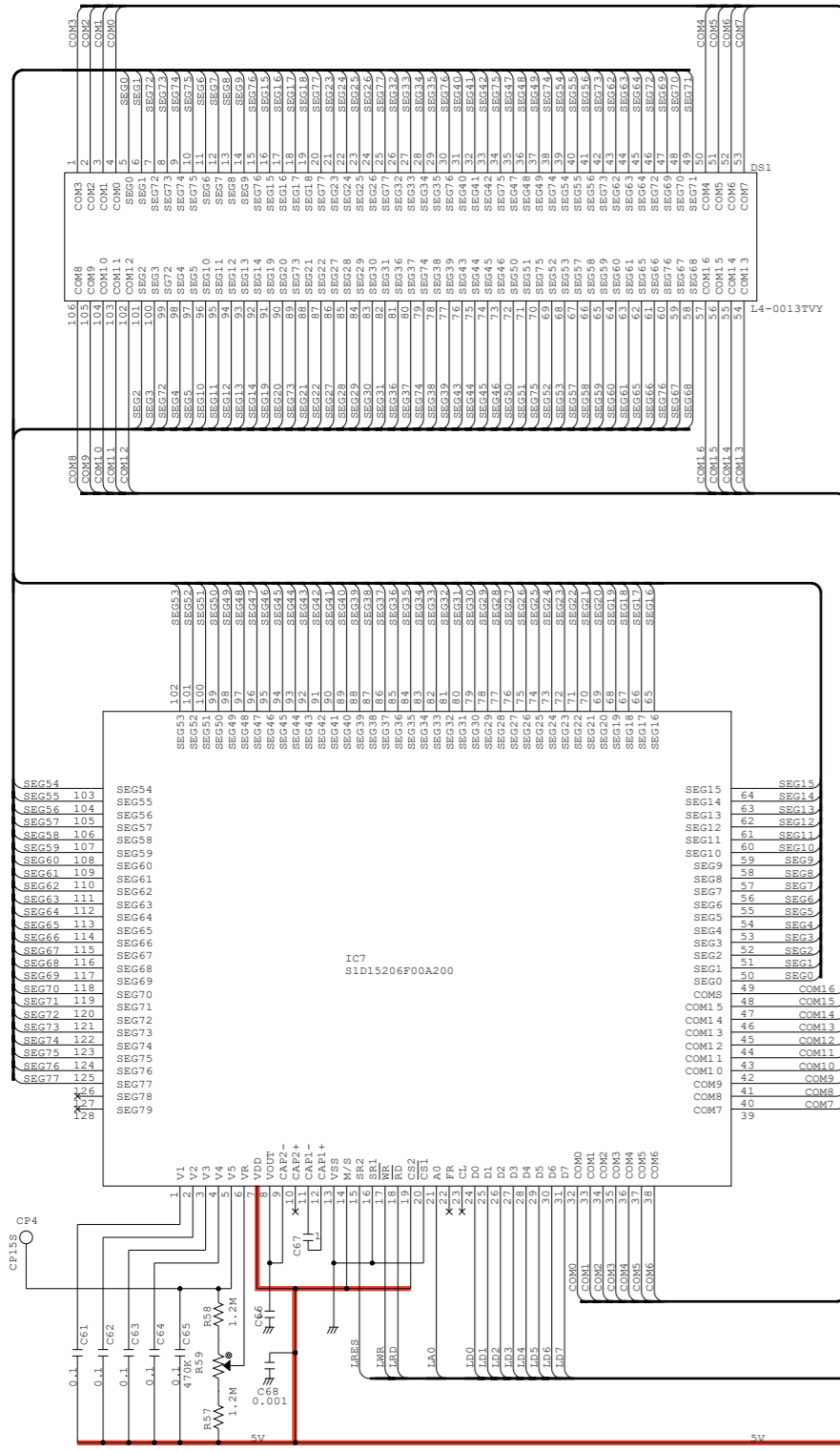


VOLTAGE DIAGRAM

FRONT-A UNIT (For F9521S, F9523S)

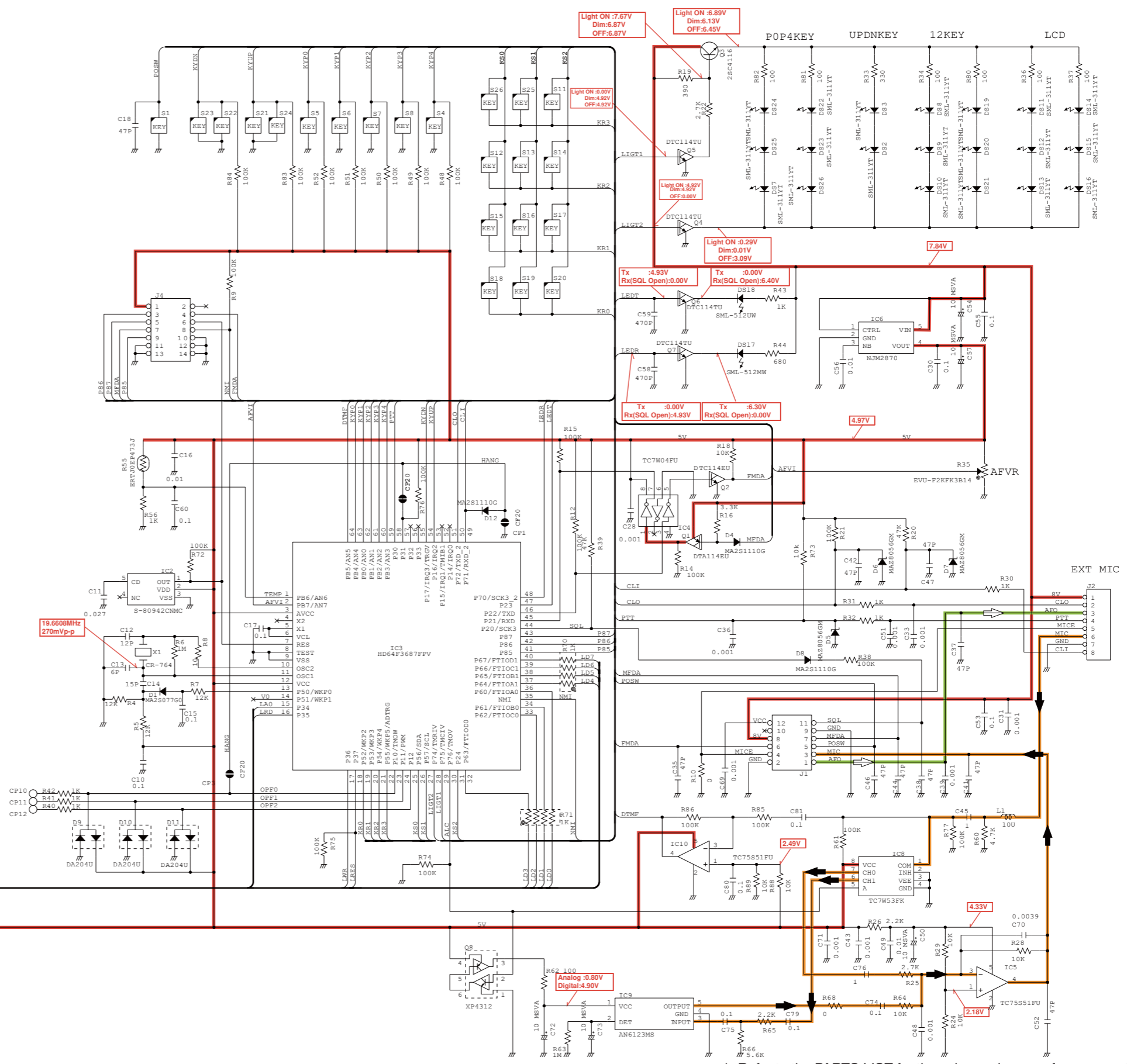


FRONT-B UNIT (For F9521T, F9523T)



Explanatory notes

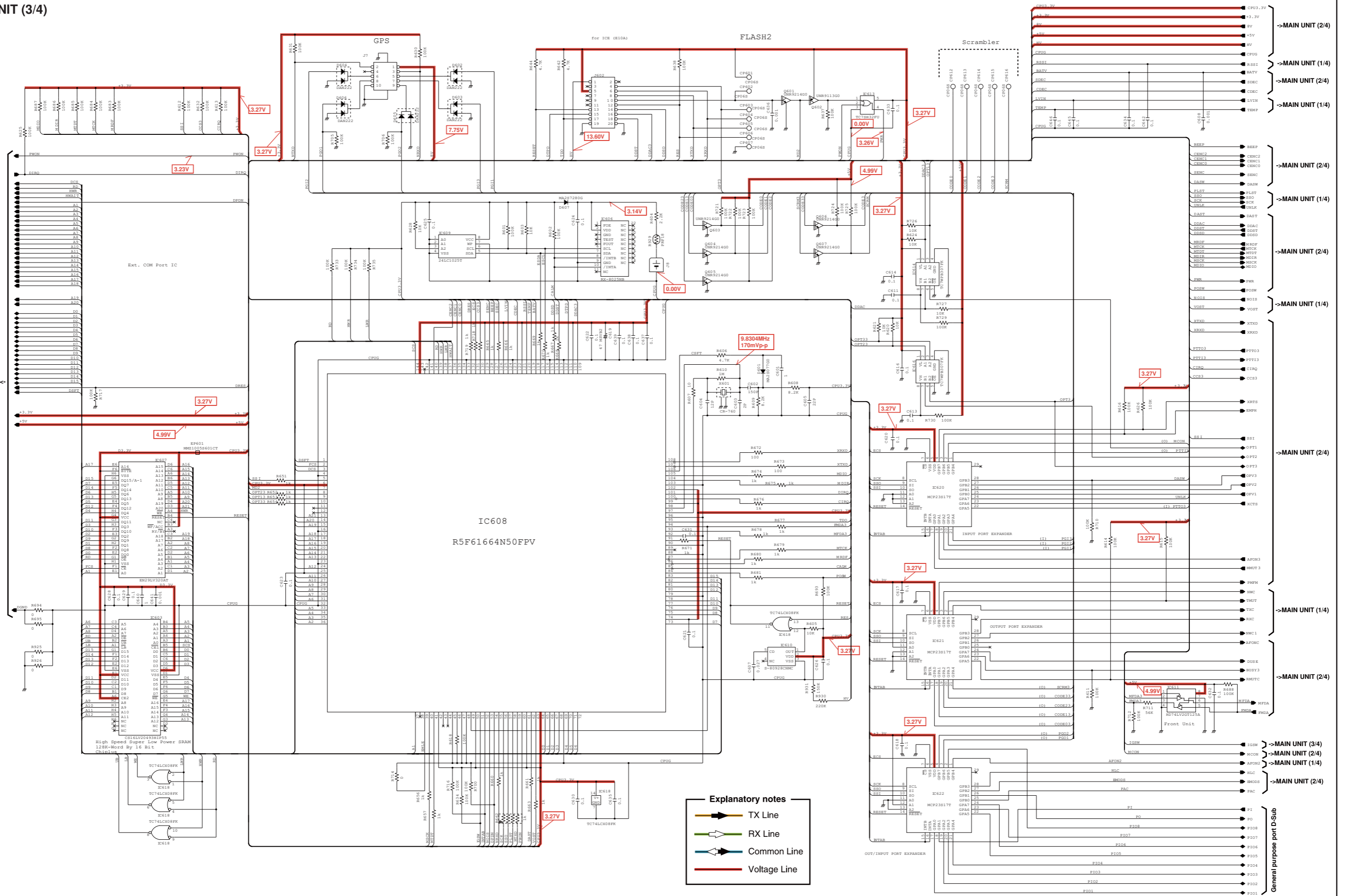
- TX Line
- RX Line
- Common Line
- Voltage Line



*: Refer to the PARTS LIST for the value and name of component.

MAIN UNIT (3/4)

MAIN UNIT (4/4) ←

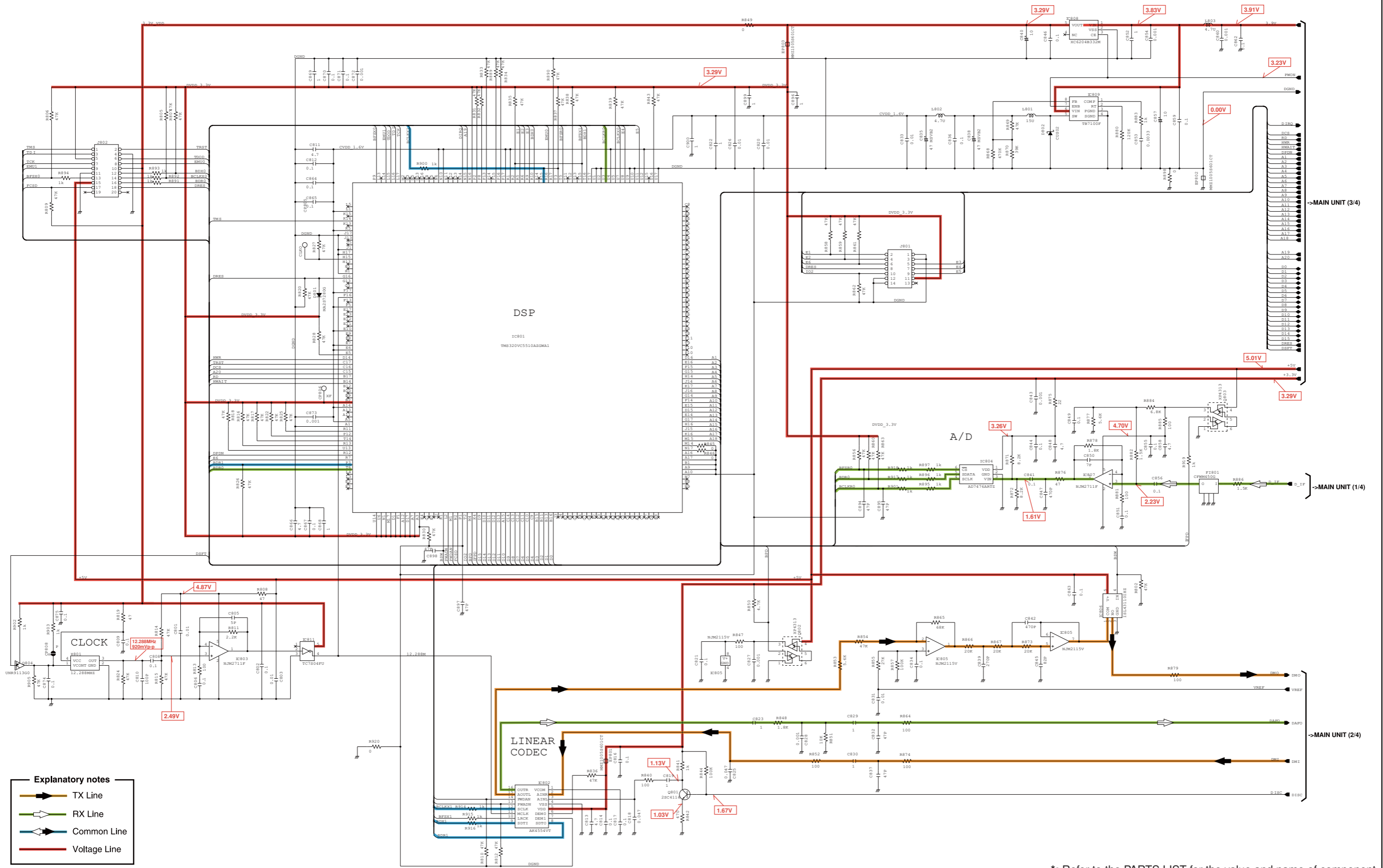


Explanatory notes

- TX Line
- RX Line
- Common Line
- Voltage Line

*: Refer to the PARTS LIST for the value and name of component.

MAIN UNIT (4/4)



Explanatory notes

- ▶ TX Line
- ▶ RX Line
- ▶ Common Line
- ▶ Voltage Line

*: Refer to the PARTS LIST for the value and name of component.



SERVICE MANUAL

UHF P25 TRUNKING
MOBILE TRANSCEIVERS

IC-F9521S
IC-F9521T
IC-F9523S
IC-F9523T

S-14607XZ-C1
Jun. 2009

INTRODUCTION

This service manual describes the latest technical information for the **IC-F9521S**, **IC-F9523S**, **IC-F9521T** and **IC-F9523T** UHF P25 TRUNKING MOBILE TRANSCEIVERS at the time of publication.

MODEL	VERSION	FEATURE	CHANNEL SPACING	MAX. TX POWER
IC-F9521S	[USA-01]	Internal speaker (Simple type)	12.5/25.0 kHz	50 W
IC-F9523S	[EXP-01]			
IC-F9521T	[USA-01]	10-key		
IC-F9523T	[EXP-01]			

UNIT ABBREVIATIONS:

FA=FRONT-A UNIT
 FB=FRONT-B UNIT
 M=MAIN UNIT

CAUTION

NEVER connect the transceiver to an AC outlet or to a DC power supply that uses more than specified. This will ruin the transceiver.

DO NOT expose the transceiver to rain, snow or any liquids.

DO NOT reverse the polarities of the power supply when connecting the transceiver.

DO NOT apply an RF signal of more than 20 dBm (100 mW) to the antenna connector. This could damage the transceiver's front-end.

To upgrade quality, any electrical or mechanical parts and internal circuits are subject to change without notice or obligation.



ORDERING PARTS

Be sure to include the following four points when ordering replacement parts:

- 10-digit Icom parts numbers
- Component name
- Equipment model name and unit name
- Quantity required

<ORDER EXAMPLE>

1110003491 S.IC TA31136FNG IC-F9521S MAIN UNIT 5 pieces
 8820001210 Screw 2438 screw IC-F9523T Top cover 10 pieces

Addresses are provided on the inside back cover for your convenience.

REPAIR NOTES

1. Make sure the problem is internal before disassembling the transceiver.
- DO NOT** open the transceiver until the transceiver is disconnected from its power source.
- DO NOT** force any of the variable components. Turn them slowly and smoothly.
- DO NOT** short any circuits or electronic parts. An insulated tuning tool **MUST** be used for all adjustments.
- DO NOT** keep power ON for a long time when the transceiver is defective.
- DO NOT** transmit power into a Standard Signal Generator or a Sweep Generator.
- ALWAYS** connect a 50 dB to 60 dB attenuator between the transceiver and a Deviation Meter or Spectrum Analyzer when using such test equipment.
- READ** the instructions of test equipment thoroughly before connecting a test equipment to the transceiver.

TABLE OF CONTENTS

SECTION 1	SPECIFICATIONS	
SECTION 2	INSIDE VIEWS	
SECTION 3	DISASSEMBLY INSTRUCTION	
SECTION 4	OPTIONAL UNIT INSTALLATION	
SECTION 5	CIRCUIT DESCRIPITON	
5-1	RECEIVE CIRCUITS	5-1
5-2	TRANSMIT CIRCUITS	5-3
5-3	FREQUENCY SYNTHESIZER CIRCUITS	5-4
5-4	VOLTAGE DIAGRAM	5-4
5-5	CPU PORT ALLOCATION	5-5
SECTION 6	ADJUSTMENT PROCEDURE	
6-1	PREPARATION	6-1
6-2	FREQUENCY ADJUSTMENT	6-4
6-3	TRANSMIT ADJUSTMENT	6-5
6-4	RECEIVE ADJUSTMENT	6-6
SECTION 7	PARTS LIST	
SECTION 8	MECHANICAL PARTS	
SECTION 9	BOARD LAYOUTS	
SECTION 10	BLOCK DIAGRAM	
SECTION 11	VOLTAGE DIAGRAM	

SECTION 1

SPECIFICATIONS

GENERAL	• Frequency range		400–470 MHz (Low band version) 450–512 MHz (High band version)	
	• Type of emission	Analog	11K0F3E/16K0F3E	
		Digital	8K10F1E/8K10F1D	
	• Number of programmable channels		max. 512 channels (128 zones)	
	• Antenna impedance		50 Ω (nominal)	
	• Operating temperature range		–30°C to +60°C; –22°F to +140°F	
	• Power supply requirement (negative ground)		13.6 V DC (nominal)	
	• Current drain (approx.)	RX	Stand-by	350 mA
			Max.audio	1000 mA
		TX	at 50 W	14.0 A
• Dimensions (projections not included)		175 (W) × 45 (H) × 170 (D) mm; 6 ^{29/32} (W) × 1 ^{25/32} (H) × 6 ^{23/32} (D) in		
• Weight (approx.)		1.5 kg; 3 ^{5/16} lb		
TRANSMITTER	• Rated output power		50 W	
	• Modulation		Variable reactance frequency modulation	
	• Max. permissible deviation	Wide	±5.0 kHz	
		Narrow	±2.5 kHz	
		Digital	±2.85 kHz (max. pattern) ±0.95 kHz (min. pattern)	
	• Frequency error		±1.0 ppm	
	• Spurious emission		70 dB min.	
	• Adjacent channel power	Wide	70 dB min.	
		Narrow	60 dB min.	
		Digital	67 dB min.	
	• Audio harmonic distortion		1% typ. (at 40% deviation)	
	• FM hum and noise	Wide	48 dB typ.	
		Narrow	43 dB typ.	
	• Limiting charact of modulator		70–100% of max. deviation	
• Audio frequency response	Wide	+2 dB to –5 dB of 6 dB/octave (from 300 to 3000 Hz)		
	Narrow	+2 dB to –5 dB of 6 dB/octave (from 300 to 2550 Hz)		
• Microphone input impedance		600 Ω		
RECEIVER	• Receive system		Double-conversion superheterodyne	
	• Intermediate frequencies		1st IF; 46.35 MHz, 2nd IF; 450 kHz	
	• Sensitivity	Analog	0.25 μV typ. at 12 dB SINAD	
		Digital	0.25 μV typ. at 5% BER	
	• Squelch sensitivity (at threshold)		0.25 μV typ.	
	• Adjacent channel selectivity	Wide	79 dB typ.	
			81 dB typ. (406.1–420 MHz)	
		Narrow	53 dB typ.	
	• Spurious response	70 dB min.		85 dB min. (406.1–420 MHz)
		78 dB typ.		
	• Hum and noise	Wide	50 dB typ.	
		Narrow	45 dB typ.	
		Digital	52 dB typ.	
	• Audio output power	Ext. speaker	4 W typ. at 10% distortion with a 4 Ω load	
D-sub connector		22 W typ. (BTL) at 10% distortion with a 4 Ω load		
• Audio output impedance		4 Ω		

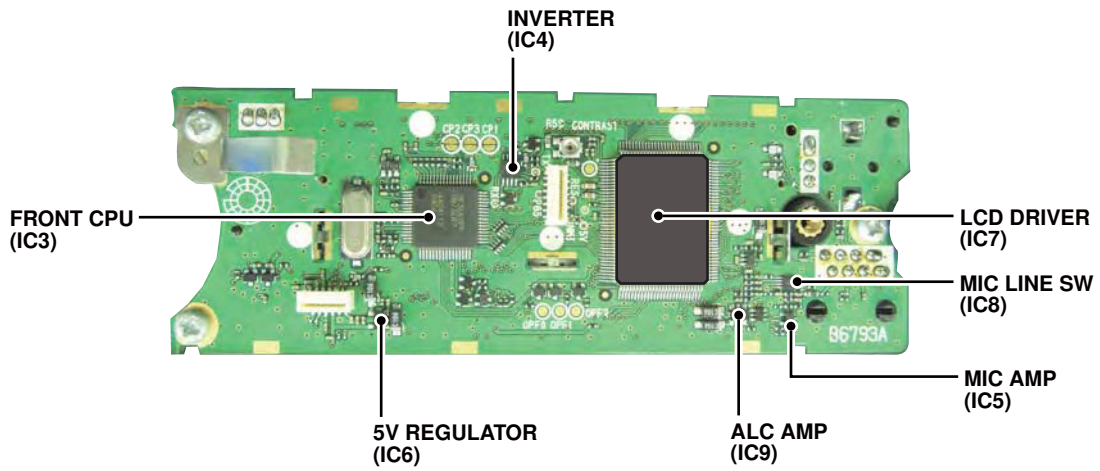
Measurements made in accordance with EIA-152-C/204D, TIA-603B (Analog) or TIA-102 (Digital).

All stated specifications are subject to change without notice or obligation.

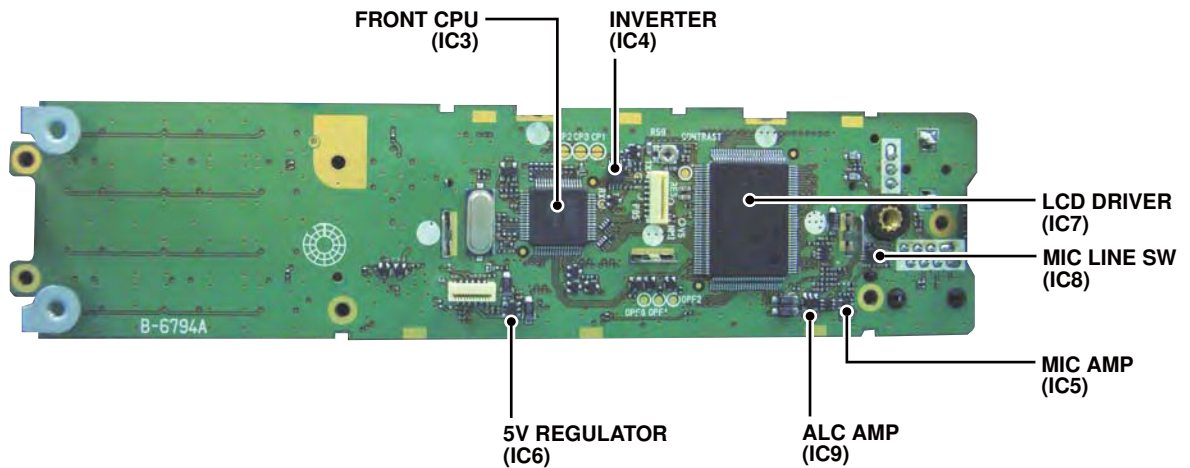
SECTION 2

INSIDE VIEWS

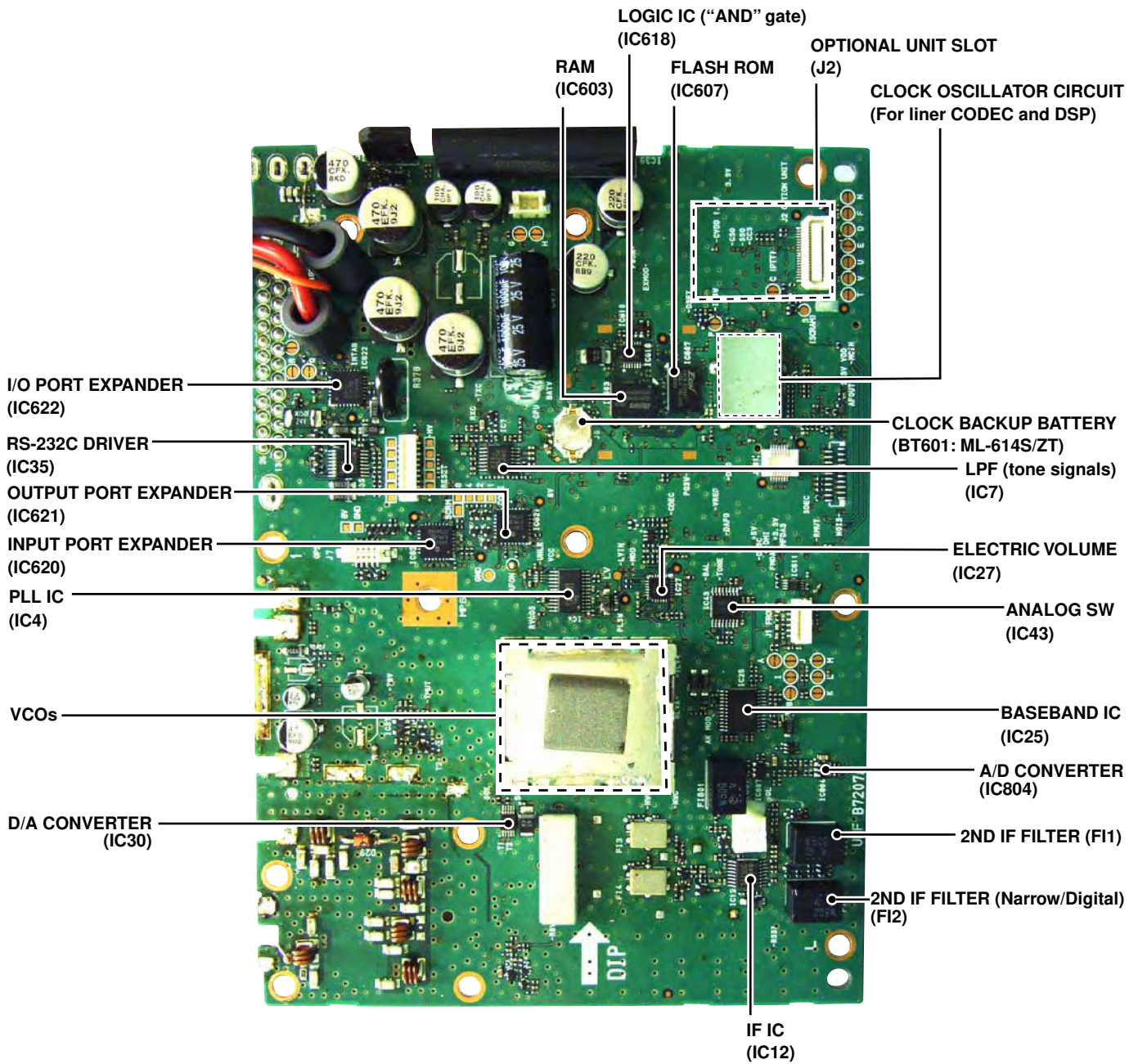
• FRONT-A UNIT (For F9521S/F9523S) (TOP VIEW)



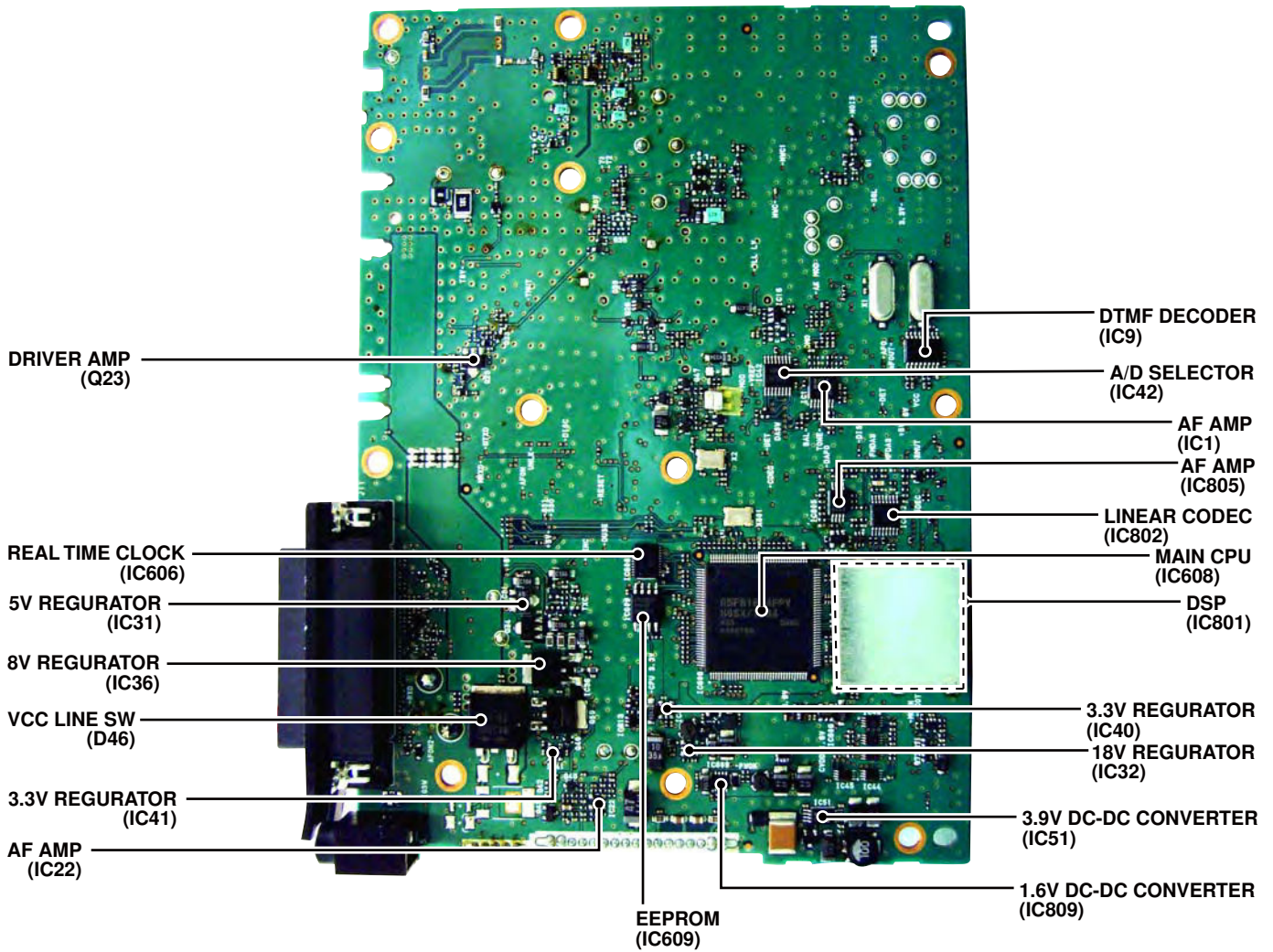
• FRONT-B UNIT (For F9521T/F9523T) (TOP VIEW)



• MAIN UNIT
(TOP VIEW)



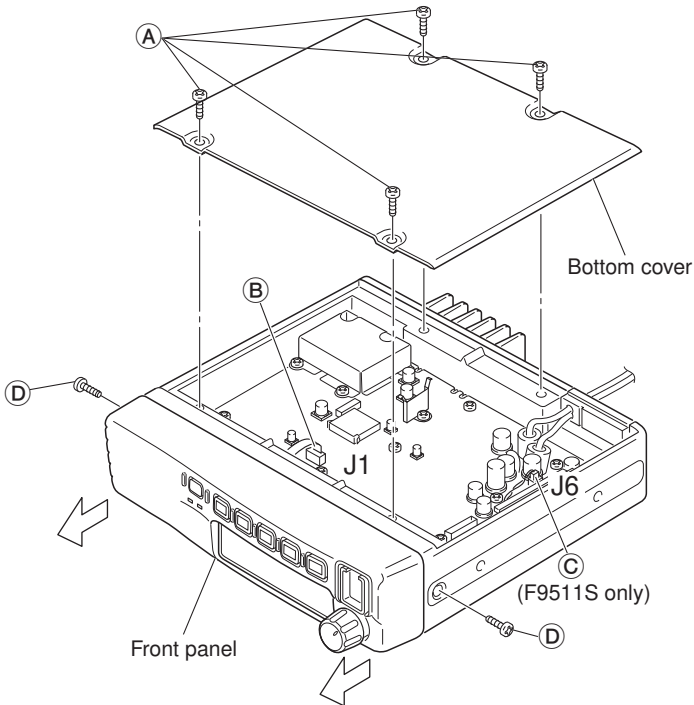
• MAIN UNIT
(BOTTOM VIEW)



SECTION 3 DISASSEMBLY INSTRUCTION

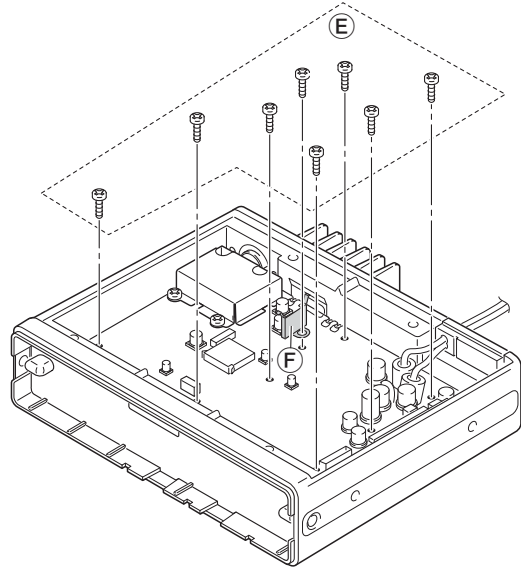
1. REMOVING FRONT PANEL

- ① Unscrew 4 screws, (A), then remove the bottom cover.
- ② Unplug J1 (B) (and J6 (C); F9521S/F9523S only).
- ③ Unscrew 2 screws, (D).
- ④ Remove the front panel in the direction of the arrows.

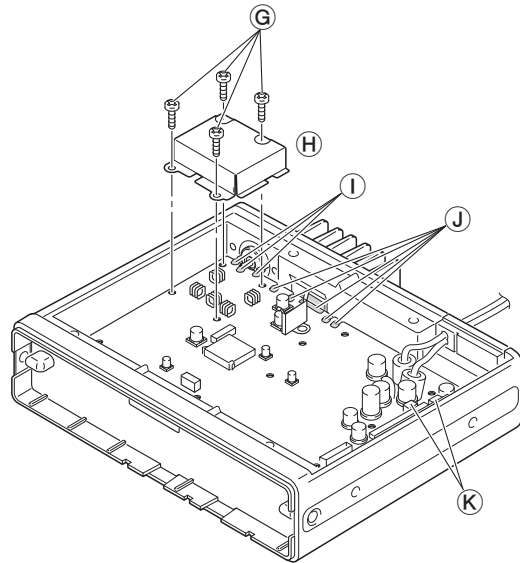


2. REMOVING MAIN UNIT

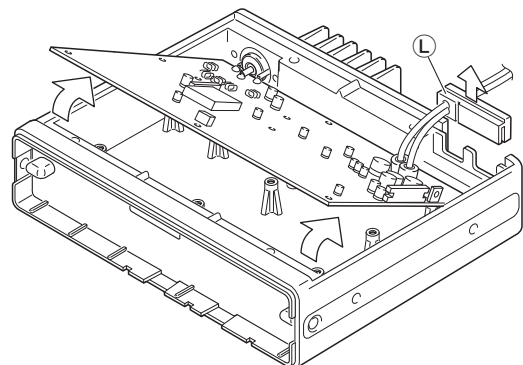
- ① Unscrew 8 screws, (E) and remove the shield plate (F).



- ② Unscrew 4 screws, (G) and remove the shield cover (H).
- ③ Unsolder 3 points, (I) and 5 points (J).
- ④ Remove 2 clips, (K).



- ⑤ Remove the bushing, (L).
- ⑥ Remove the MAIN unit in the direction of the arrow.

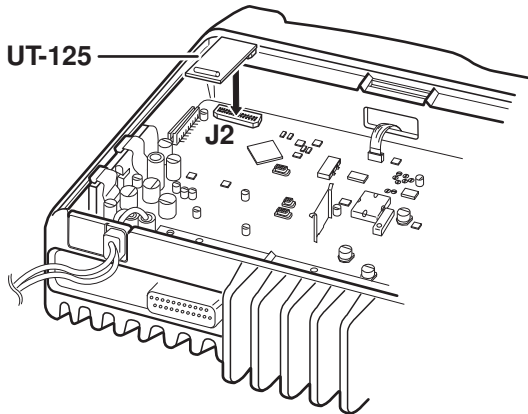


SECTION 4 OPTIONAL UNIT INSTALLATION

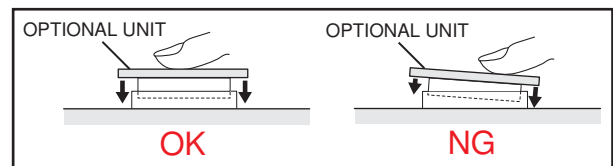
⚠ **CAUTION!** Optional unit installation should be done at authorized Icom service center only.

Install the optional unit as follows.

- ① Remove the bottom cover to expose MAIN UNIT (Refer to "**DISASSEMBLY INSTRUCTION**").
- ② Attach the unit to "J2" as below.
- ③ Recover the transceiver, and set or modify the setting using optional cloning software.



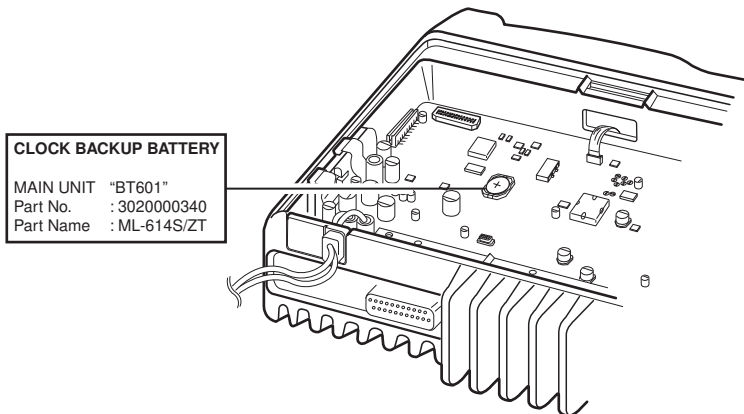
⚠ **NOTE: When installing the unit**
Be sure that the unit is inserted correctly.



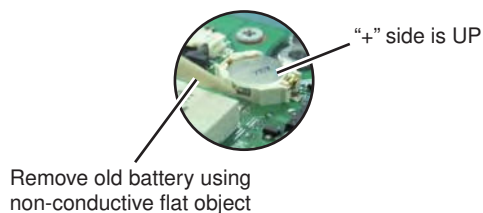
• CLOCK BACKUP BATTERY REPLACEMENT

When the backup battery is discharged, the transceiver transmits and receives normally but cannot retain the current time.

- ① Remove the bottom cover to expose MAIN UNIT (Refer to "**DISASSEMBLY INSTRUCTION**").
- ② Replace the clock backup battery, located on the MAIN UNIT as below. (Make sure the battery polarity is correct.)
- ③ Recover the transceiver, and re-set the date and time in set mode. (Refer to INSTRUCTION MANUAL)



BATTERY REMOVAL



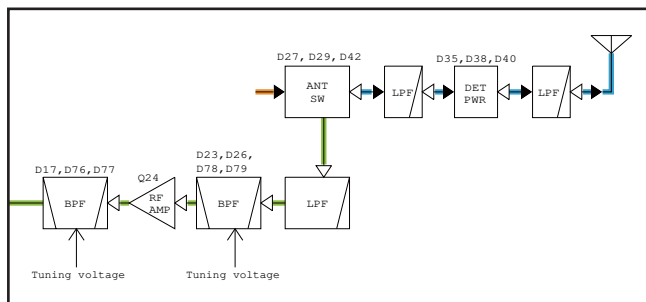
5-1 RECEIVE CIRCUITS

RF CIRCUITS (MAIN UNIT)

RX signals from the antenna are passed through the LPF, TX/RX SW (D27, D42) and two-staged BPF (D23, 26, 78, 79, L32, 36). The filtered RX signals are amplified by the low noise AMP (Q24), and filtered by another BPF (D17, 76, 77, L26, 50) to remove unwanted signals such as image frequency signals, then applied to the 1st mixer (D47, L18, 24).

BPFs are tuned by the tuning voltage from the D/A converter (IC30) for suitable tracking response.

• RF CIRCUITS



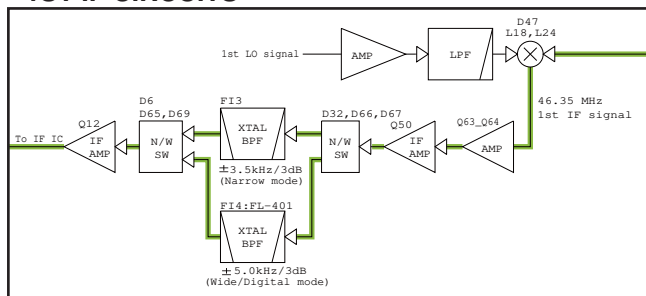
1st IF MIXER

The 1st mixer (D47, L18, 24) converts the RX signals into the 46.35 MHz 1st IF signal by mixing with the 1st LO signals from RX VCO.

1st IF FILTER AND AMPLIFIER

The converted 1st IF signal is amplified by the buffer AMP (Q63, 64) and 1st IF AMP (Q50), filtered by the crystal filter (FI3: for FM-N/FI4: FM-W, DIGITAL), amplified by another 1st IF AMP (Q12), then applied to the IF IC (IC12).

• 1ST IF CIRCUITS



2nd IF AND DEMODULATOR CIRCUITS

The 46.35 MHz 1st IF signal and the 45.9 MHz 2nd LO signal are mixed at the 2nd mixer in the IF IC (IC12), to be converted into the 450 kHz 2nd IF signal.

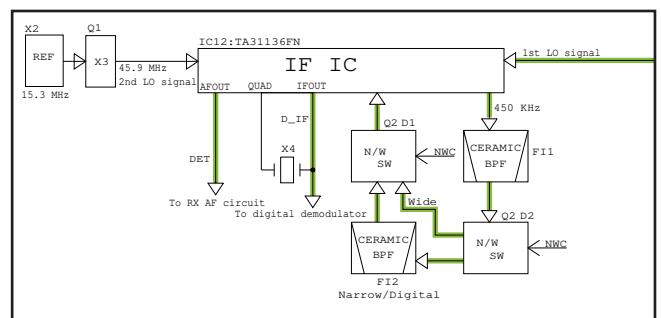
The tripled reference signal, which is generated by the TCXO (X1; 15.3 MHz), is used for the 2nd LO signal.

The converted 2nd IF signal is output from pin 3, and passed through the 2nd IF filter (FI1 and FI2; FI2 for FM-N mode or digital mode) to remove unwanted signals.

- IN ANALOG MODE OPERATION -

The filtered 450 kHz 2nd IF signal applied to the IF IC (IC12) again, and FM-demodulated by the internal quadrature detector. The demodulated AF signals are output from pin 9 of IF IC (IC12), and applied to the RX AF circuit.

• 2ND IF AND ANALOG DEMODULATOR CIRCUITS

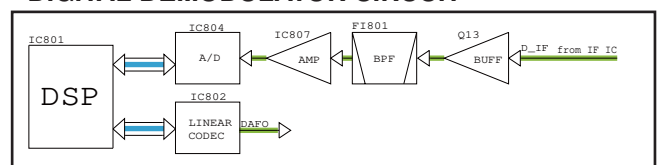


- IN DIGITAL MODE OPERATION -

The filtered 450 kHz 2nd IF signal is output from pin 11 (IC12), and buffer-amplified by Q13, filtered by FI801 and amplified by IC807 before being applied to the A/D converter (IC804) to be converted into the digital signal.

The converted digital signal is processed by the DSP (IC801), and decoded into the analog AF signals by the CODEC (IC802). The decoded AF signals are then applied to the RX AF circuit.

• DIGITAL DEMODULATOR CIRCUIT



RX AF CIRCUIT

The demodulated/decoded AF signals from the demodulation circuit are applied to the baseband IC (IC25) via the Digital/Analog AF line SW (IC42).

The applied AF signals are amplified at the amplifier section and level adjusted at the volume controller section, then suppressed unwanted 3 kHz and higher audio signals at LPF. The filtered AF signals are applied (bypassed) the TX/RX HPF, scrambler, de-emphasis sections in sequence.

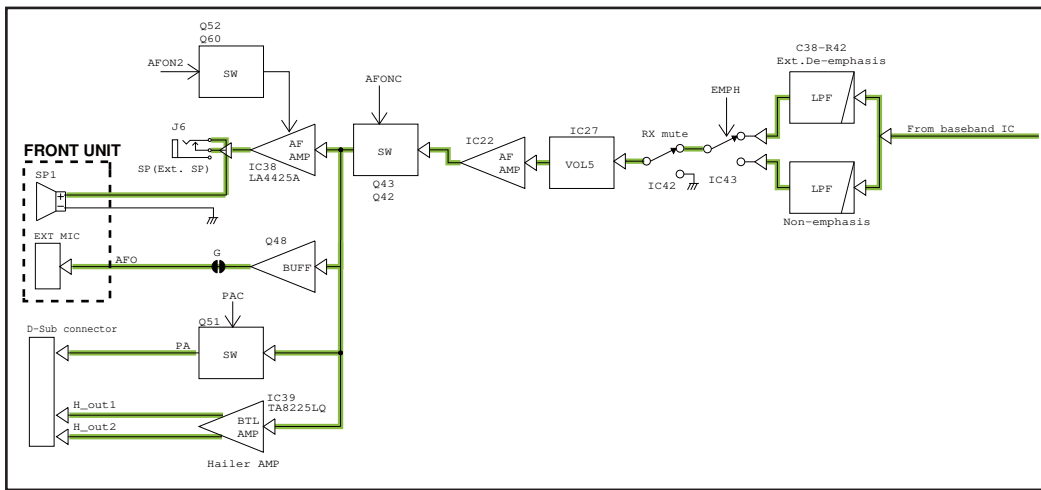
The TX/RX HPF filters out 250 Hz and lower audio signals, and the de-emphasis circuit obtains -6 dB/oct of audio characteristics. The expander expands the compressed audio signals and also noise reduction function is provided.

The AF signals are then level adjusted at the volume controller section and amplified at the amplifier section, then output from pin 20.

The processed AF signals from the baseband IC (IC25) are applied to the D/A converter (IC27) via mute SW (IC42) for level adjustment. The level-adjusted AF signals are amplified by IC22, then;

- Being Power-amplified by the AF power AMP (IC38) to obtain AF output power level, then output from the internal speaker (FRONT-A/B UNIT: SP1) via [EXTERNAL SPEAKER JACK] (J6). (F9521S/F9523S only)
- Being output from [D-SUB 25-PIN] (J11) via the AF SW (Q51).
- Being Power-amplified by the hailer AMP (IC39), then output from [D-SUB 25-PIN] (J11).

• RX AF CIRCUIT

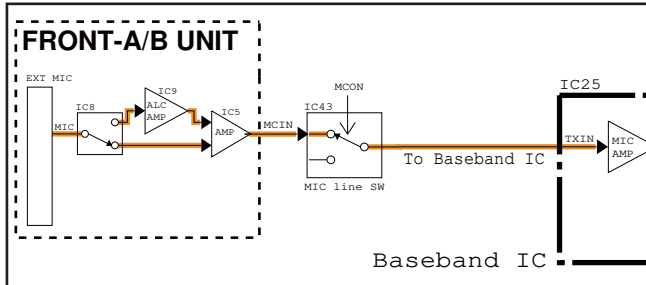


5-2 TRANSMIT CIRCUIT TX AF CIRCUIT (MAIN UNIT)

The audio signals from the microphone are passed through the MIC line SW (FRONT-A/B UNIT; IC8) and amplified by the MIC AMP (FRONT-A/B UNIT; IC5), then applied to the baseband IC (IC25) via the MIC line SW (IC43).

Only in digital mode operation, the MIC signals are passed through the ALC circuit (FRONT-A/B UNIT; IC9) to prevent over deviation caused by a loud voice.

• TX AF CIRCUIT



The applied MIC signals are amplified at the amplifier, and level adjusted at the volume controller. The level adjusted MIC signals are applied (bypassed) the compressor section, pre-emphasis section, TX/RX HPF, de-scrambler, limiter, splatter, in sequence, then applied to another volume controller.

The compressor compresses the MIC signals to provide high S/N ratio for receive side, and the pre-emphasis obtains +6 dB/oct audio characteristics. The TX/RX HPF filters out 250 Hz and lower audio signals, the limiter limits its level and the splatter filters out 3 kHz and higher audio signals. The filtered MIC signals are level adjusted at another volume controller, and then output from pin 7 via the smoothing filter.

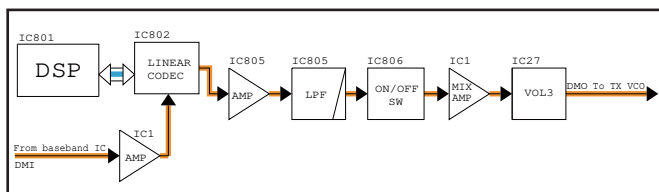
The output MIC signals are applied to the modulation circuit as the modulation signals.

- IN DIGITAL OPERATION - (MAIN UNIT)

The modulation signals from the baseband IC (IC25) are amplified by IC1, and applied to the CODEC (IC802) to be converted into the digital audio signals. The converted digital audio signals are processed by the DSP (IC801), then applied to the CODEC (IC802) again to be converted into the digital modulation signals. The converted digital modulation signals are amplified and filtered by IC805, and passed through the mute SW (IC806), amplified by the mix AMP (IC1), level-adjusted by the D/A converter (IC27), then applied to the TX VCO for modulation.

The modulated TX VCO output signal is applied to the TX amplifier.

• DIGITAL MODULATION CIRCUIT

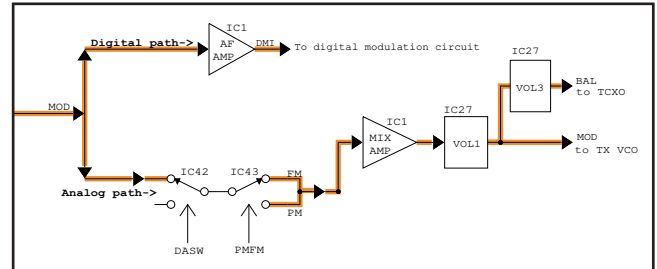


- IN ANALOG OPERATION - (MAIN UNIT)

The the modulation signals from the baseband IC (IC25) are applied to the mix AMP (IC1) to be composed with the sub-audible tone signals (CTCSS/DTCS) via Analog/Digital (IC42) and emphasis SW (IC43). The modulation signals are then level-adjusted by the D/A converter (IC27) for deviation adjustment, and applied to the TX VCO and TCXO (X1) for modulation.

The modulated TX VCO output signal is applied to the TX amplifier.

• ANALOG MODULATION CIRCUIT



DRIVE AND POWER AMPLIFIERS (MAIN UNIT)

The output signal from the TX VCO is passed through the LO SW (D19), amplified by the YGR AMP (Q33) and drive AMP (Q23), then power-amplified by the power AMP (IC15).

ANTENNA SWITCHING CIRCUIT AND LPF (MAIN UNIT)

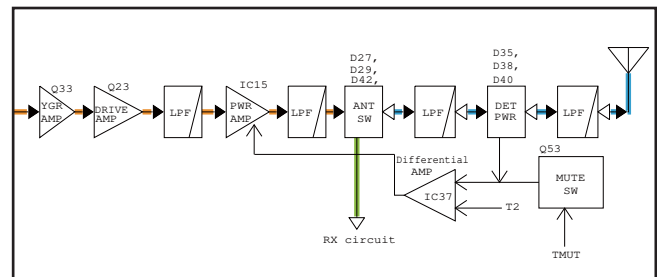
The power amplified TX signals from power AMP (IC15) is passed through the ANT SW (D29) and LPF to remove harmonic components, then applied to the antenna.

APC CIRCUIT

D35, D38 and D40 detect a portion of TX output signal to convert it into DC voltage, and the voltage is applied to the differential AMP (IC37).

By comparing the detected voltage and the power setting voltage "T2" from the D/A converter (IC30), the differential AMP (IC37) controls the bias voltage to the power AMP (IC15) to adjust the TX output power.

• TX AMPLIFIERS AND APC CIRCUIT



5-3 FREQUENCY SYNTHESIZER CIRCUITS VCOs AND PLL CIRCUIT

The TX VCO is composed by Q19, D7, 33, 34, 43, 44 and L15. D7 is rolled to modulate the VCO oscillating signal using modulation signals.

There are two RX VCOs; RX VCO1 and RX VCO2. The RX VCO1 is composed by Q18, D15, 16 and L12, and oscillates LO signals for receiving 400–434.999 MHz (Low band)/450–484.999 MHz (High band). The RX VCO2 is composed by Q17, D11, 12 and L10, and oscillates LO signals for receiving 435–470 MHz (Low band)/485–520 MHz (High band).

These VCOs are switched by the VCO SW (Q27, 28, 30) using control signal “RVCOS” from the CPU (IC608). The oscillating signals from these VCOs are output via buffers (Q22, 29) as LO signal.

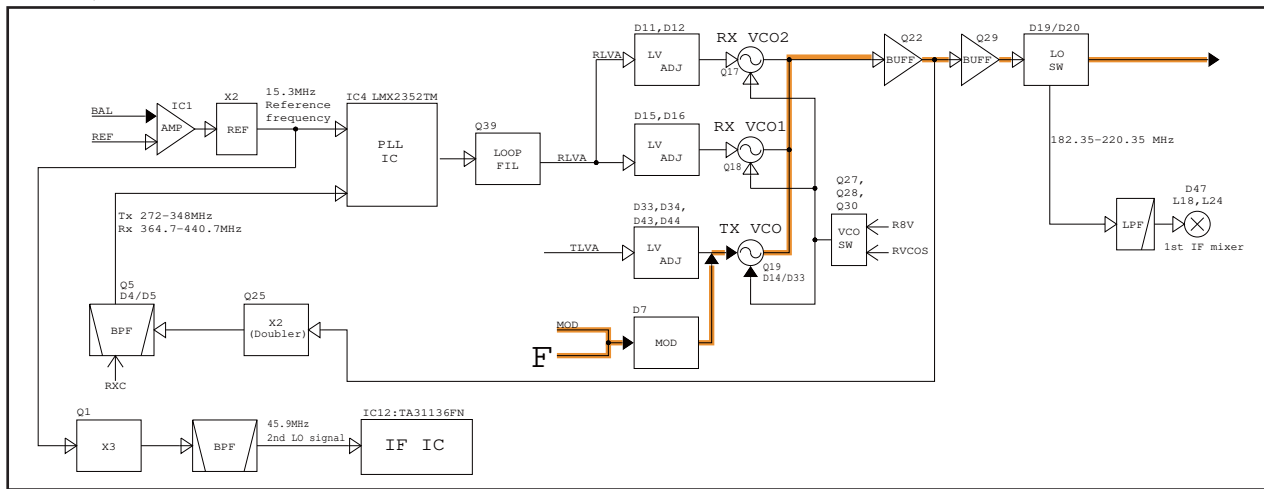
A portion of VCO output is feedback to the PLL IC (IC4) via the doubler (Q25) and BPF.

PLL CIRCUIT

The VCO output signal which filtered by the BPF is applied to the pin 6 of PLL IC (IC4), and the reference frequency signal which generated by the TCXO (X2) is applied to the pin 10 of PLL IC.

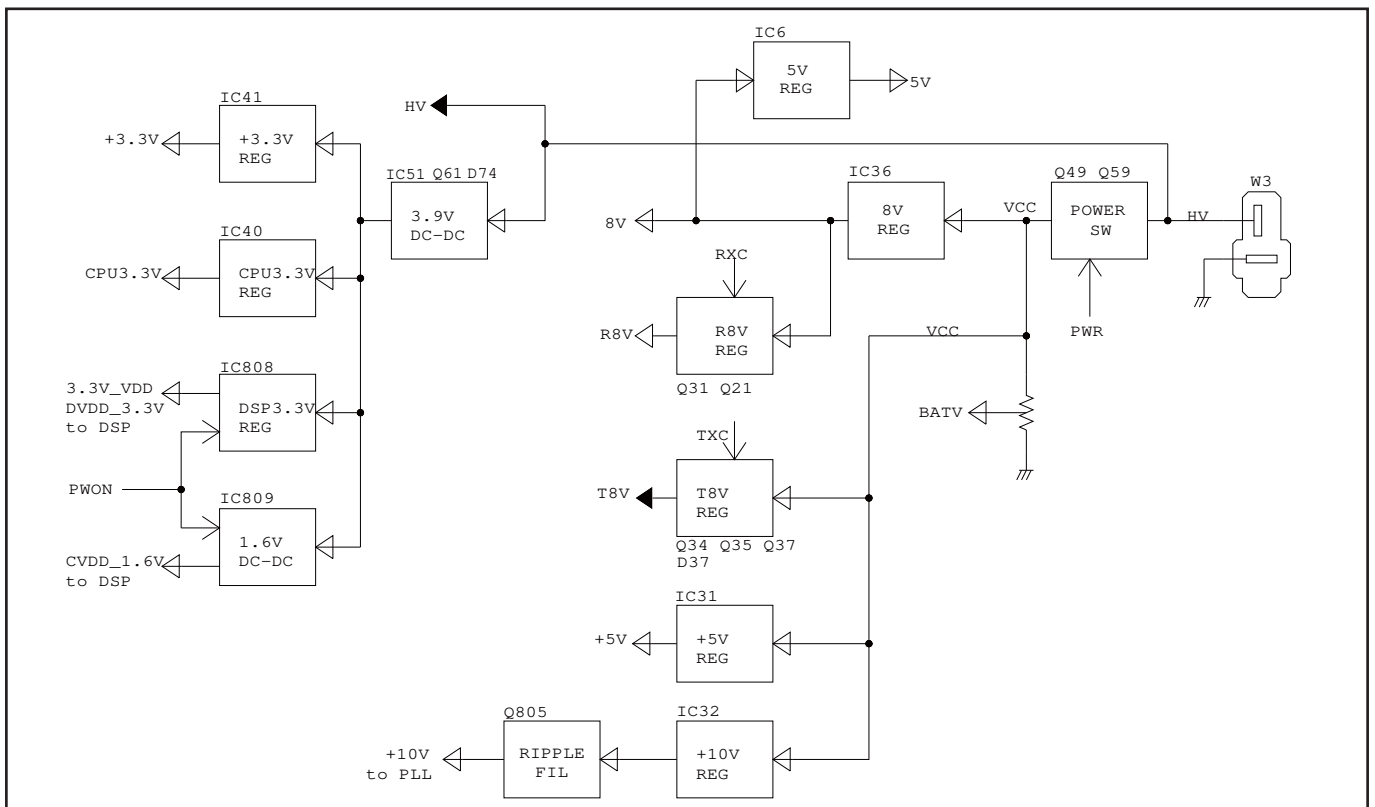
These signals are phase-compared by the internal comparator, and the resulting signal is output from pin 4 and passed through the active loop filter to remove unwanted signals, then applied to the VCO as the lock voltage.

• FREQUENCY SYNTHESIZER CIRCUITS



5-4 VOLTAGE BLOCK DIAGRAM

Voltage from the power supply is routed to the whole of the transceiver via regulators and switches.



5-5 CPU PORT ALLOCATION

Pin NO.	LINE NAME	DESCRIPTION	I/O
1	DSFT	DSP clock shift signal. L=Clock frequency is shifted.	O
2	FCS	Chip select signal to the external flash ROM (IC607). L= IC607 is selected.	O
3	DCS	Chip select signal to the DSP (IC801). L= IC607 is selected.	O
5	SSI	Common serial data (Shared).	I
13–37	A1–A21	Communication signals to the external ROMs (IC603 and IC607).	O
49	FMDA3	Clone data fro the FRONT UNIT.	I
51	IGSW	Ignition SW detect signal. L=Ignition detected	I
52	INTAB	Interrup signal from the I/O expander (IC622).	I
53	NOIS	Noise detect signal from the IF IC (IC12). L=Noise detected	I
54	DPDN	Power down signal to the DSP.	O
55	NRXD	NMEA0183 serial data.	I
56	SCK	Common serial clock (Shared).	O
57	SSO	Common serial data (Shared).	O
58	PLST	Strobe for PLL IC (IC4).	O
60	PWON	Power control signal. H=Transceiver power ON.	O
62	DAST	Strobe for D/A converters (IC27 and IC30).	O
63	VOST	Frame synchronization signal to the D/A converter (IC30).	O
84	POSW	Power SW input signal from the FRONT UNIT. L=Power switch is pushed.	I
85	CALM	Interrup signal from the real time clock IC (IC606).	I
86	MRDF	Data received flag signal.	I
87	MTCK	Clock signal for the TX MSK data.	I
93	MFDA3	Clone read signal (3 V p-p).	O
94	FMDA3	Clone write signal (3 V p-p).	I
100	CIRQ	Interrup signal from the attached optional unit.	I
101	DIRQ	Interrup signal from the DSP (IC801).	I
104	MDIR	Serial data I/O control signal to the baseband IC (IC25).	O
105	MDIO	Serial data to the baseband IC (IC25).	I/O
106	CSFT	CPU clock shift signal. L=Clock frequency is shifted.	O
109	DDAC3	Control signal to the DTMF decoder (IC614).	O
113	DDST	Valid DTMF detect signal.	I
114	DDSD	Serial data from the DTMF decoder (IC614).	I
116	ESCL	Serial clock to the EEPROM (IC609).	O
117	ESDA	Serial data to/from the EEPROM (IC609).	I/O

Pin NO.	LINE NAME	DESCRIPTION	I/O
118	BATV	Battery voltage. (The voltage on the "VCC" line divided by R372 and R374)	I
119	TEMP	Temperature detect signal. (The voltage on the "5V" line divided by R55 and R56)	I
120	RSSI	RSSI signal from the IF IC (IC12).	I
122	CDEC	Demodulated continious tone signals from the tone filter (Q54).	I
124	LVIN	Lock voltage from the PLL IC (IC4).	I
126	SDEC	Demodulated continious tone signals from the tone (Q54).	I
127	BEEP	Beep sounds (Squarewave).	O
128	SENC	Single tone encode signal.	O
130	CCS3	Chip select signal to the OR gate logic IC (IC45).	O
131	ECS	Chip select signal to the I/O expanders (IC620–622).	O
132	DRES	Reset signal to the DSP (IC801). L=The IC is reset.	O
134–135	CENC0–CENC1	Continious tone encode signals.	O
136	HWAIT	Hot ready signal from the DSP (IC801).	I
140	CENC2	Continious tone encode signal.	O

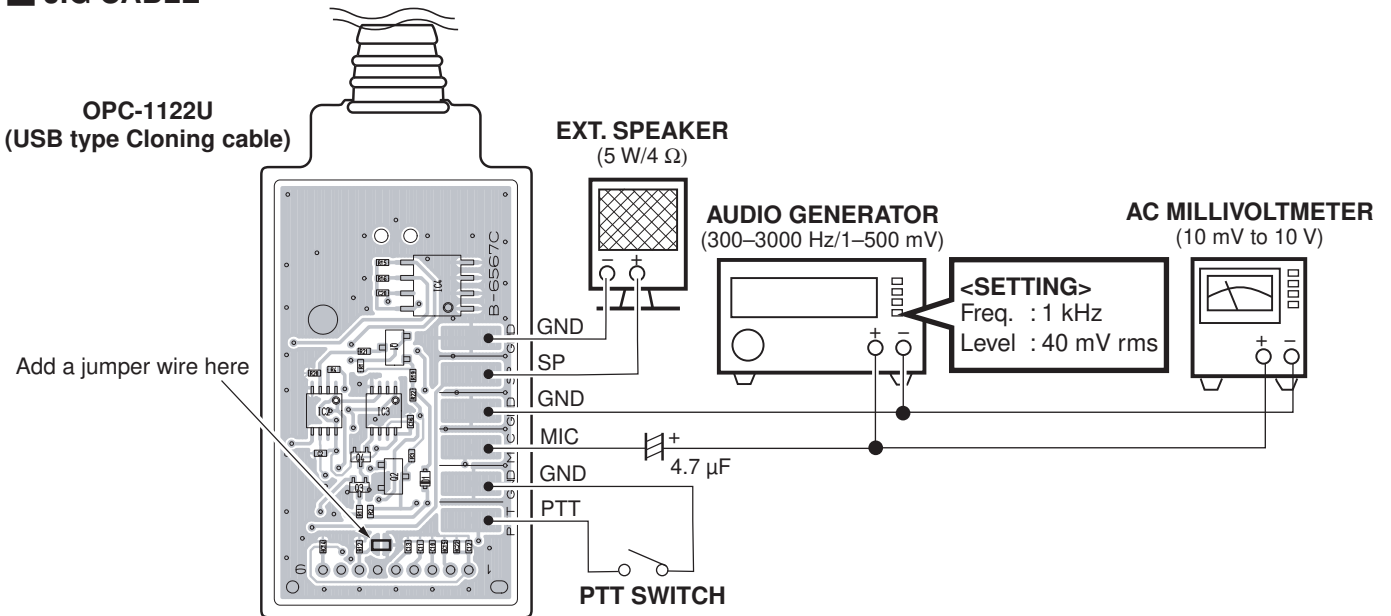
SECTION 6 ADJUSTMENT PROCEDURE

6-1 PREPARATION

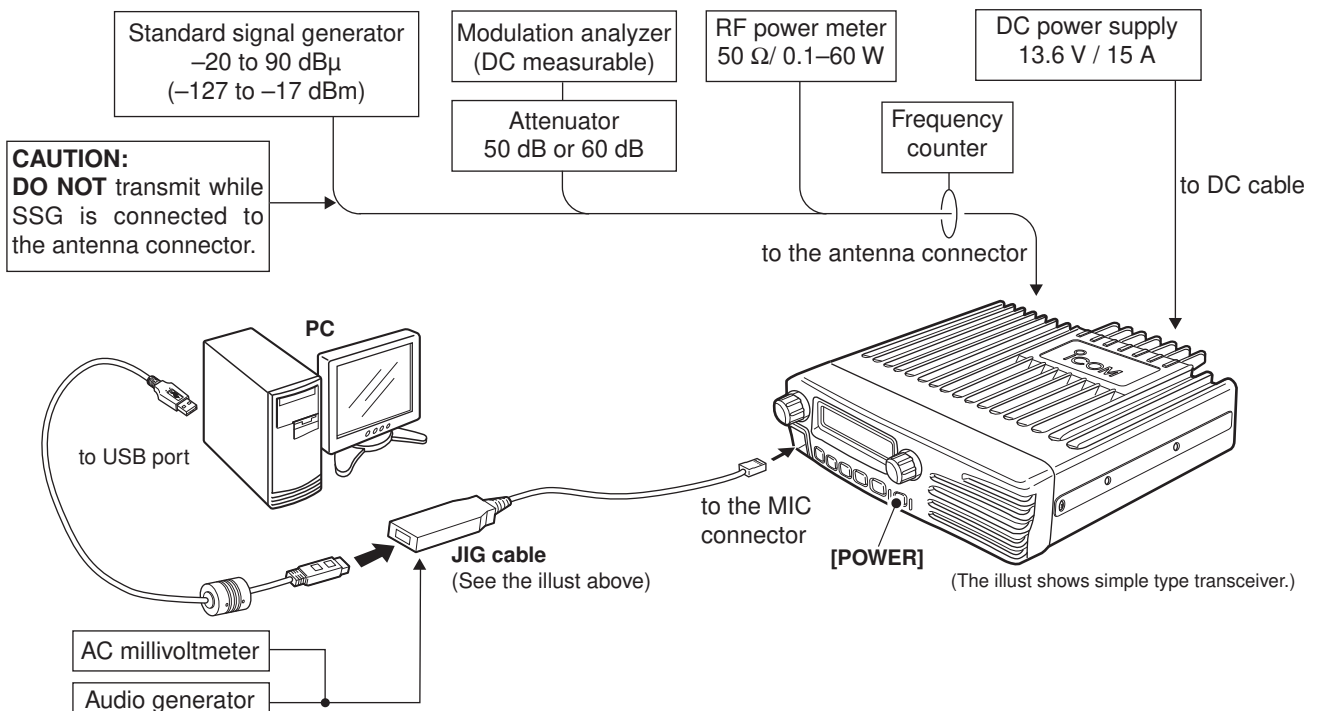
REQUIRED EQUIPMENTS

EQUIPMENT	GRADE AND RANGE	EQUIPMENT	GRADE AND RANGE
Cloning software	CS-F9511 : Revision 1.0 or later	JIG cable	Modified OPC-1122U (see the illust below)
DC power supply	Output voltage : 13.6 V DC Current capacity : More than 15 A	Attenuator	Power attenuation : 50 or 60 dB Capacity : 60 W
modulation analyzer	Frequency range : DC-600 MHz Measuring range : 0 to ±10 kHz	External speaker	Input impedance : 4 Ω Capacity : 5 W or more
Frequency counter	Frequency range : 0.1-600 MHz Frequency accuracy : ±1 ppm or better Sensitivity : 100 mV or better	Standard signal generator (SSG)	Frequency range : 0.1-600 MHz Output level : -20 to 90 dBμ (-127 to -17 dBm)
RF power meter	Measuring range : 0.1-60 W Frequency range : 100-600 MHz Impedance : 50 Ω SWR : Better than 1.2 : 1	Oscilloscope	Frequency rang : DC-20 MHz Measuring range : 0.01-20 V
		Digital voltmeter	Input impedance : 50 kΩ Measuring range : 0.1-10V

JIG CABLE



CONNECTION



ADJUSTMENT FREQUENCIES

Before starting adjustment, clone adjustment frequencies and settings into the transceiver as below.

• For [Low band] version (400–470 MHz)

CH	Atr	Inh	Frequency (MHz)			W/N	SQL Tight	C.Tone		Text	RF PWR	RF S	CH Type
			RX	TX	Tx Inh			RX	TX				
1- 1	AB		400.000000	<-		W				[RX LVA1]	L1		Analog
1- 2			425.000000	<-		W				[RX LVA2]	L1		Analog
1- 3			400.000000	<-		W				[TX LVA]	L1		Analog
1- 4			424.900000	<-		W				LV (Verify)	L1		Analog
1- 5			470.000000	<-		W				LV (Verify)	L1		Analog
1- 6			470.000000	<-		W				LV (Verify)	L1		Analog
1- 7			470.000000	<-		W				[REF]	L1		Analog
1- 8			470.000000	<-		W				[Dig DA]	L1		Digital
1- 9			400.000000	<-		W				[PWR Hi]	H		Analog
1- 10			400.000000	<-		W				[PWR L2]	L2		Analog
1- 11			400.000000	<-		W				[PWR L1]	L1		Analog
1- 12			435.000000	<-		W				[BAL]	L1		Analog
1- 13			435.000000	<-		N				[MOD N C]	L1		Analog
1- 14			400.000000	<-		N				[MOD N L]	L1		Analog
1- 15			450.000000	<-		N				[MOD N H]	L1		Analog
1- 16			435.000000	<-		W				[MOD W C]	L1		Analog
1- 17			400.000000	<-		W				[MOD W L]	L1		Analog
1- 18			470.000000	<-		W				[MOD W H]	L1		Analog
1- 19			435.000000	<-		W				[MOD D C]	L1		Digital
1- 20			400.000000	<-		W				[MOD D L]	L1		Digital
1- 21			470.000000	<-		W				[MOD D H]	L1		Digital
1- 22			435.000000	<-		W		151.4		[CTCSS/DTCS]	L1		Analog
1- 23			435.000000	<-		N				[S.TONE]	L1		Analog
1- 24			400.100000	<-		i	W			[BPF C T1/2]	L1		Analog
1- 25			400.000000	<-		i	W			[RSSI]	L1		Analog
1- 26			435.000000	<-		i	W			[SQL]	L1		Analog

• For [High band] version (450–512 MHz)

CH	Atr	Inh	Frequency (MHz)			W/N	SQL Tight	C.Tone		Text	RF PWR	RF S	CH Type
			RX	TX	Tx Inh			RX	TX				
1- 1	AB		450.000000	<-		W				[RX LVA1]	L1		Analog
1- 2			485.000000	<-		W				[RX LVA2]	L1		Analog
1- 3			450.000000	<-		W				[TX LVA]	L1		Analog
1- 4			484.900000	<-		W				LV (Verify)	L1		Analog
1- 5			512.000000	<-		W				LV (Verify)	L1		Analog
1- 6			512.000000	<-		W				LV (Verify)	L1		Analog
1- 7			512.000000	<-		W				[REF]	L1		Analog
1- 8			512.000000	<-		W				[Dig DA]	L1		Digital
1- 9			450.000000	<-		W				[PWR Hi]	H		Analog
1- 10			450.000000	<-		W				[PWR L2]	L2		Analog
1- 11			450.000000	<-		W				[PWR L1]	L1		Analog
1- 12			485.000000	<-		W				[BAL]	L1		Analog
1- 13			485.000000	<-		N				[MOD N C]	L1		Analog
1- 14			450.000000	<-		N				[MOD N L]	L1		Analog
1- 15			512.000000	<-		N				[MOD N H]	L1		Analog
1- 16			485.000000	<-		W				[MOD W C]	L1		Analog
1- 17			450.000000	<-		W				[MOD W L]	L1		Analog
1- 18			512.000000	<-		W				[MOD W H]	L1		Analog
1- 19			485.000000	<-		W				[MOD D C]	L1		Digital
1- 20			450.000000	<-		W				[MOD D L]	L1		Digital
1- 21			512.000000	<-		W				[MOD D H]	L1		Digital
1- 22			485.000000	<-		W		151.4		[CTCSS/DTCS]	L1		Analog
1- 23			485.000000	<-		N				[S.TONE]	L1		Analog
1- 24			450.100000	<-		i	W			[BPF C T1/2]	L1		Analog
1- 25			450.000000	<-		i	W			[RSSI]	L1		Analog
1- 26			450.000000	<-		i	W			[SQL]	L1		Analog

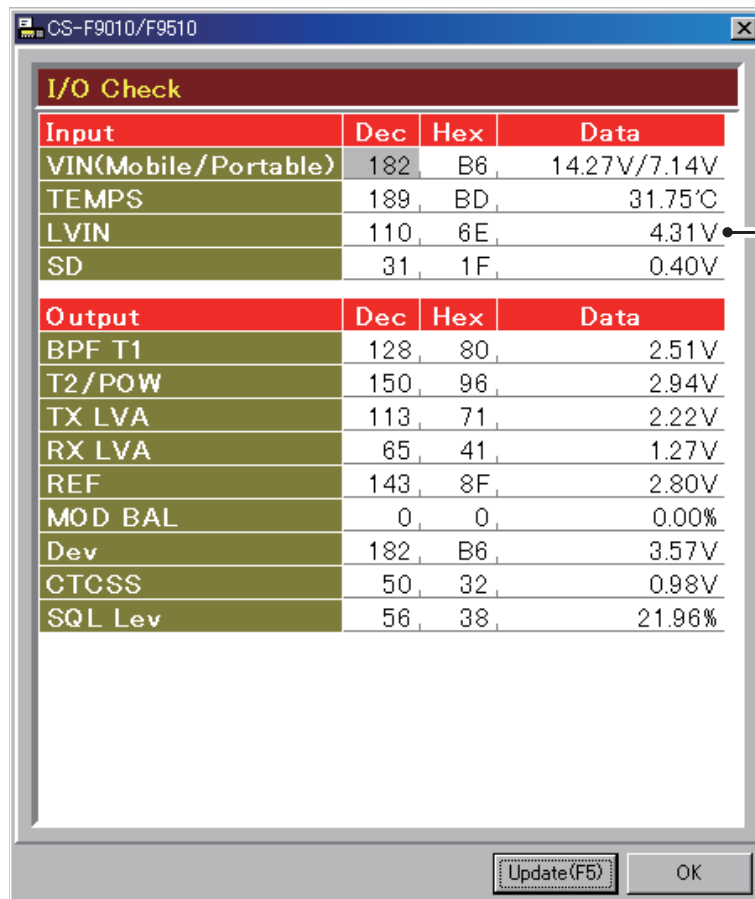
• ADJUSTMENT UTILITY WINDOW (example)

Adjust Utility			
Setting			
Adjustment channel	CH No.	1	RF Power=Low1, Mode=Narrow CH Type=Analog
Adjust			
TX output power	Power (Hi)	148	[#####-----]
	Power (L2)	102	[#####-----]
	Power (L1)	42	[###-----]
Modulation balance	BAL (Wide)	109	[#####-----]
	BAL (Mid)	109	[#####-----]
	BAL (Narrow)	109	[#####-----]
	BAL (Digital)	109	[#####-----]
	MOD (Wide)	156	[#####-----]
	MOD (Mid)	0	[-----]
	MOD (Narrow)	80	[#####-----]
	MOD (Digital)	119	[#####-----]
CTCSS/DTCS deviation	CTCS/DTCS	138	[#####-----]
Squelch	SQL	36	[##-----]
Reference frequency (Analog)	REF	125	[#####-----]
Receive sensitivity (Automatically)	BPF C ALL		[Enter] to Sweep
Receive sensitivity (Manually)	BPF T1 C	31	[##-----] [Enter] to Sweep
	BPF T2 C	70	[#####-----] [Enter] to Sweep
	BPF L ALL		[Enter] to Sweep
	BPF T1 L	121	[#####-----] [Enter] to Sweep
	BPF T2 L	55	[#####-----] [Enter] to Sweep
	BPF H ALL		[Enter] to Sweep
	BPF T1 H	80	[#####-----] [Enter] to Sweep
	BPF T2 H	79	[#####-----] [Enter] to Sweep
PLL lock voltage (Adjust)	RX LVA1	132	[#####-----] [Enter] to Sweep
	RX LVA2	180	[#####-----] [Enter] to Sweep
	TX LVA	126	[#####-----] [Enter] to Sweep
PLL lock voltage (Preset)	LV(RX LVA1)	156	6.11V
	LV(RX LVA2)	151	5.92V
	LV(TX LVA)	151	5.92V
S-meter	RSSI	119	[Enter] to Capture
FM deviation	MOD N C	0	[Enter] to Capture
	MOD N L	0	[Enter] to Capture
	MOD N H	0	[Enter] to Capture
	MOD W C	0	[Enter] to Capture
	MOD W L	0	[Enter] to Capture
	MOD W H	0	[Enter] to Capture
Digital deviation	MOD Dig C	0	[Enter] to Capture
	MOD Dig L	0	[Enter] to Capture
	MOD Dig H	0	[Enter] to Capture
Reference frequency (Digital)	Dig DA	124	[#####-----]
Digital mode	Dig Mode	1	
2TONE/DTMF	S.Tone	134	[#####-----]

6-2 FREQUENCY ADJUSTMENT

- 1) Select an adjustment item using cursor or [↑] / [↓] of the PC's keyboard.
- 2) Set or modify the adjustment value as specified using [←] / [→] of the PC's keyboard, then push [ENTER].

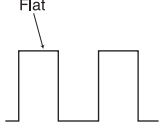
ADJUSTMENT	ADJUSTMENT CONDITION	OPERATION	VALUE
PLL LOCK VOLTAGE -adjustment- [RX LVA1]	1	Set the preset value on the adjust utility window. • For [Low band]: [LV RX1]=31 [1.21], [LV RX2]=26 [1.01], [LV TX]=33 [1.29] • For [High band]: [LV RX1]=26 [1.01], [LV RX2]=26 [1.01], [LV TX]=33 [1.29]	
	2	• Channel : 1-1 • Receiving	(Automatic adjustment)
[RX LVA2]	3	• Channel : 1-2 • Receiving	
[TX LVA]	4	• Channel : 1-3 • Transmitting	
CONVENIENT: The "PLL LOCK VOLTAGE" can be adjusted automatically. 1: Set each Lock voltage preset ([LV RX1], [LV RX2] and [LV TX]). 2: Put the cursor on [RX LVA1], [RX LVA2] and [TX LVA], then push [ENTER] on the connected PC's keyboard.			
PLL LOCK VOLTAGE -verification-	1	• Channel : 1-4 • Receiving	4.0–7.0 V (Verify)
	2	• Channel : 1-5 • Receiving	
	3	• Channel : 1-6 • Transmitting	
REFERENCE FREQUENCY (Analog) [REF]	1	• Channel : 1-7 • Connect an RF power meter to the antenna connector. • Transmitting	470.000000 MHz [Low band] 512.000000 MHz [High band]
	(Digital) [Dig DA]	• Channel : 1-8 • [Dig Mode] : "13" • Transmitting	



(The values shown in the above screen are example only. Each transceiver has their own values.)

6-3 TRANSMIT ADJUSTMENT

- 1) Select an adjustment item using cursor or [↑] / [↓] of the PC's keyboard.
- 2) Set or modify the adjustment value as specified using [←] / [→] of the PC's keyboard, then push [ENTER].

ADJUSTMENT	ADJUSTMENT CONDITION	OPERATION	VALUE
TX OUTPUT POWER [Power (Hi)]	1 • Channel : 1-9 • Transmitting	Connect an RF power meter to the antenna connector.	50 W
[Power (L2)]	2 • Channel : 1-10 • Transmitting		25 W
[Power (L1)]	3 • Channel : 1-11 • Transmitting		5.0 W
MODULATION BALANCE [BAL]	1 • Channel : 1-12 • [MOD N] : "70" • No audio signals applied to the JIG cable. • Set a modulation analyzer as; HPF : OFF LPF : 20 kHz De-emphasis : OFF Detector : (P-P)/2 • Push [P0] while transmitting.	Connect the modulation analyzer with an oscilloscope to the antenna connector through an attenuator.	square waveform 
FM DEVIATION -Preparation-	1 • Connect an audio generator to the JIG cable and set as; Frequency : 1.0 kHz Level : 40 mV rms • Set the modulation analyzer to the same condition as "MODULATION BALANCE."	Connect a modulation analyzer with an oscilloscope to the antenna connector through an attenuator.	—
(NARROW) [MOD N C]	• Channel : 1-13 • Transmitting		±2.05 to ±2.15 kHz
[MOD N L]	2 • Channel : 1-14 • Transmitting		
[MOD N H]	3 • Channel : 1-15 • Transmitting		
(WIDE) [MOD W C]	4 • Channel : 1-16 • Transmitting		±4.05 to ±4.15 kHz
[MOD W L]	5 • Channel : 1-17 • Transmitting		
[MOD W H]	6 • Channel : 1-18 • Transmitting		
DIGITAL DAVIATION	1 • Connect an audio generator to the JIG cable and set as; Frequency : 1.0 kHz Level : 40 mV rms • Set the modulation analyzer as the same condition as "MODULATION BALANCE." • [Dig Mode] : "7"	—	—
[MOD Dig C]	2 • Channel : 1-19 • Transmitting	Connect a modulation analyzer with an oscilloscope to the antenna connector through an attenuator.	±2.83 to ±2.87 kHz
[MOD Dig L]	3 • Channel : 1-20 • Transmitting		
[MOD Dig H]	4 • Channel : 1-21 • Transmitting		
CTCSS/DTCS DEVIATION [CTCSS/DTCS]	1 • Channel : 1-22 • No audio signals applied to the JIG cable. • Set the modulation analyzer to the same condition as "MODULATION BALANCE." • Transmitting	Connect a modulation analyzer with an oscilloscope to the antenna connector through an attenuator.	±0.68 to ±0.72 kHz
2TONE/DTMF [S.Tone]	1 • Channel : 1-23 • Push [P3] while transmitting.	Connect a modulation analyzer with an oscilloscope to the antenna connector through an attenuator.	±1.50 kHz

6-4 RECEIVE ADJUSTMENT

1) Select an adjustment item using cursor or [↑] / [↓] of the PC's keyboard.

2) Set or modify the adjustment value as specified using [←] / [→] of the PC's keyboard, then push [ENTER].

ADJUSTMENT	ADJUSTMENT CONDITION	LOCATION	VALUE
RECEIVE SENSITIVITY [BPF C (T1)] [BPF C (T2)]	NOTE: When "RECEIVE SENSITIVITY" is re-adjusted, "S-METER" must be re-adjusted too.		
	1 <ul style="list-style-type: none"> Channel : 1-24 Connect the SSG to the antenna connector and set as; <ul style="list-style-type: none"> Frequency : 400.100 MHz [Low band] 450.100 MHz [High band] Level : +20 dBμ[†] (-87 dBm) Modulation : 1 kHz Deviation : ±3 kHz Receiving 	Connect a SINAD meter with an 4 Ω load to the SP line of the JIG cable.	Minimum distortion level
CONVENIENT: The "RECEIVE SENSITIVITY" can be adjusted automatically. 1: Put the cursor on "[BPF C ALL]" and push [ENTER]. 2: The connected PC tunes BPF's to peak levels automatically.			
S-METER [RSSI] (S3 level)	NOTE: "RECEIVE SENSITIVITY" MUST be adjusted before "S-METER." When "RECEIVE SENSITIVITY" is re-adjusted, "S-METER" MUST be re-adjusted too.		
	1 <ul style="list-style-type: none"> Channel : 1-25 Connect the SSG to the antenna connector and set as; <ul style="list-style-type: none"> Frequency : 400.100 MHz [Low band] 450.100 MHz [High band] Level : +23 dBμ[†] (-84 dBm) Modulation : 1 kHz Deviation : ±3 kHz Receiving 	Select the item [RSSI S3 Level], then push [ENTER] to store the adjust value.	(Automatic adjustment)
(S1 level)	2 <ul style="list-style-type: none"> Set the SSG as; <ul style="list-style-type: none"> Level : -7 dBμ[†] (-114 dBm) Receiving 	Select the item [RSSI S1 Level], then push [ENTER], to store the adjust value.	
SQUELCH [SQL]	1 <ul style="list-style-type: none"> Channel : 1-26 [SQL Level] : "2" Connect the SSG to the antenna connector and set as; <ul style="list-style-type: none"> Frequency : 435.100 MHz [Low band] 450.100 MHz [High band] Level : -14 dBμ[†] (-121 dBm) Modulation : 1 kHz Deviation : ±3 kHz Receiving 	1) Once close the squelch by increasing [SQL] value, then decrease the value to open the squelch. 2) Push [ENTER] to store the value.	(Automatic adjustment)

[†]: The output level of the standard signal generator (SSG) is indicated as the SSG's open circuit.

SECTION 7

PARTS LIST

[FRONT-A UNIT] (For [F9521S], [F9523S])

REF NO.	PARTS NO.	DESCRIPTION	M.	H/V LOCATION
IC2	1110005771	S.IC S-80942CNMC-G9CT2G	B	82/29.1
IC3	1140010771	S.IC HD64F3687FPV(EMPTY)	B	73.5/21.4
IC4	1130007111	S.IC TC7W04FU(TE12L,F)	B	63.8/28.7
IC5	1130013240	S.IC TC75S51FU(TE85L,F)	B	26.5/15.2
IC6	1110005350	S.IC NJM2870F05-TE1-#FZZB	B	83.5/5.8
IC7	1130009121	S.IC S1D15206F00A200	B	40.6/21.1
IC8	1130009981	S.IC TC7W53FK(TE85L,F)	B	20.1/11.6
IC9	1110005310	S.IC AN6123MS	B	28.1/6.6
IC10	1130013240	S.IC TC75S51FU(TE85L,F)	B	20.1/6
Q1	1590001330	S.TRA DTA114EUA T106	B	60.5/32.7
Q2	1590000680	S.TRA DTC114EUA T106	B	63.9/24.2
Q3	1530002851	S.TRA 2SC4116-BL(TE85R,F)	B	67.7/8.9
Q4	1590001050	S.TRA DTC114TUA T106	B	70.6/8.9
Q5	1590001050	S.TRA DTC114TUA T106	B	70.1/11.4
Q6	1590001050	S.TRA DTC114TUA T106	B	100.3/12.1
Q7	1590001050	S.TRA DTC114TUA T106	B	102.9/12.1
Q8	1590001660	S.TRA XP4312(TX)	B	24.9/6.6
D1	1790001261	S.DIO MA2S077G0L	B	82.4/16.7
D4	1790001251	S.DIO MA2S1110GL	B	61.4/30.3
D5	1790000951	S.ZEN MAZ8056GML	B	22.7/28.7
D6	1790000951	S.ZEN MAZ8056GML	B	22.7/32.6
D7	1790000951	S.ZEN MAZ8056GML	T	19.3/16
D8	1790001251	S.DIO MA2S1110GL	B	86.8/12.3
D9	1750000130	S.DIO DA204U T106	B	59.2/10.1
D10	1750000130	S.DIO DA204U T106	B	56.7/10.1
D11	1750000130	S.DIO DA204U T106	B	53.1/10.1
D12	1790001251	S.DIO MA2S1110GL	B	69.6/29.5
X1	6050011720	S.XTA CR-764 SMD-49TB 19.6608 MHz <KDS>	B	86.9/20.5
L1	6200003640	S.COI MLF1608E 100K-T	B	16.3/9.8
R4	7030008010	S.RES ERJ2GEJ 123 X (12K)	B	83.2/15.5
R5	7030008010	S.RES ERJ2GEJ 123 X (12K)	B	82.8/18.1
R6	7030005160	S.RES ERJ2GEJ 105 X (1M)	B	82.8/21.3
R7	7030008010	S.RES ERJ2GEJ 123 X (12K)	B	81/18.1
R8	7030005530	S.RES ERJ2GEJ 100 X (10)	B	81.2/20.8
R9	7030005090	S.RES ERJ2GEJ 104 X (100K)	B	53.5/21.1
R10	7030010040	S.RES ERJ2GEJ-JPW	B	11.4/9.4
R12	7030005090	S.RES ERJ2GEJ 104 X (100K)	B	60/29.5
R14	7030005090	S.RES ERJ2GEJ 104 X (100K)	B	62.8/32.3
R15	7030005090	S.RES ERJ2GEJ 104 X (100K)	B	60/27.4
R16	7030007300	S.RES ERJ2GEJ 332 X (3.3K)	B	60/30.4
R18	7030005220	S.RES ERJ2GEJ 223 X (22K)	B	61.6/26.5
R19	7030009280	S.RES ERJ2GEJ 391 X	B	67.8/10.7
R20	7030005240	S.RES ERJ2GEJ 473 X (47K)	T	19.2/14.6
R21	7030005090	S.RES ERJ2GEJ 104 X (100K)	B	21.8/31.2
R22	7030009140	S.RES ERJ2GEJ 272 X (2.7K)	B	67.8/11.6
R24	7030005050	S.RES ERJ2GEJ 103 X (10K)	B	28.2/17
R25	7030009140	S.RES ERJ2GEJ 272 X (2.7K)	B	26.5/10.7
R26	7030007290	S.RES ERJ2GEJ 222 X (2.2K)	B	24.9/17
R28	7030005050	S.RES ERJ2GEJ 103 X (10K)	B	26.5/12.5
R29	7030005050	S.RES ERJ2GEJ 103 X (10K)	B	26.5/17
R30	7030005120	S.RES ERJ2GEJ 102 X (1K)	B	17.6/16.1
R31	7030005120	S.RES ERJ2GEJ 102 X (1K)	B	12.1/21.1
R32	7030005120	S.RES ERJ2GEJ 102 X (1K)	B	11.7/19.7
R33	7030009160	S.RES ERJ2GEJ 181 X (180)	B	50.9/4.8
R34	7030009160	S.RES ERJ2GEJ 181 X (180)	B	65.1/8.3
R35	7210003050	VAR EVU-F2KFK3 B14 (10KB)		
R36	7030009160	S.RES ERJ2GEJ 181 X (180)	B	63.3/9
R37	7030009160	S.RES ERJ2GEJ 181 X (180)	B	64.2/8.3
R38	7030005090	S.RES ERJ2GEJ 104 X (100K)	B	87.3/11.2
R39	7030005240	S.RES ERJ2GEJ 473 X (47K)	B	83.6/13.4
R40	7030005120	S.RES ERJ2GEJ 102 X (1K)	B	51.8/8.4
R41	7030005120	S.RES ERJ2GEJ 102 X (1K)	B	54.9/9
R42	7030005120	S.RES ERJ2GEJ 102 X (1K)	B	60.6/7.8
R43	7030005120	S.RES ERJ2GEJ 102 X (1K)	B	97.9/14
R44	7030005010	S.RES ERJ2GEJ 681 X (680)	B	104.8/12.5
R47	7030005050	S.RES ERJ2GEJ 103 X (10K)	B	71.8/30.1
R48	7030005090	S.RES ERJ2GEJ 104 X (100K)	B	74.6/29.8
R49	7030005090	S.RES ERJ2GEJ 104 X (100K)	B	75.5/29.8
R50	7030005090	S.RES ERJ2GEJ 104 X (100K)	B	76.4/29.8
R51	7030005090	S.RES ERJ2GEJ 104 X (100K)	B	77.3/29.8
R52	7030005090	S.RES ERJ2GEJ 104 X (100K)	B	78.2/29.8
R55	7510001730	S.THE ERTJOEP 473J	B	81.2/24.9
R56	7030005120	S.RES ERJ2GEJ 102 X (1K)	B	81.2/25.9
R57	7030003810	S.RES ERJ3GEVJ 125 V (1.2M)	B	57.9/33.2
R58	7030003810	S.RES ERJ3GEVJ 125 V (1.2M)	B	54.2/29.8
R59	7310005470	S.TRI EVM-3VXS50 BQ5 (474)	B	55/32.3
R60	7030005040	S.RES ERJ2GEJ 472 X (4.7K)	B	16.3/10.9
R61	7030005090	S.RES ERJ2GEJ 104 X (100K)	B	20.1/9.8
R62	7030004980	S.RES ERJ2GEJ 101 X (100)	B	26/4.4
R63	7030005160	S.RES ERJ2GEJ 105 X (1M)	B	28.1/4.4
R64	7030005050	S.RES ERJ2GEJ 103 X (10K)	B	26.5/9.8
R65	7030007290	S.RES ERJ2GEJ 222 X (2.2K)	B	26.5/11.6
R66	7030009290	S.RES ERJ2GEJ 562 X (5.6K)	B	28.1/9.8
R68	7030010040	S.RES ERJ2GEJ-JPW	B	26.5/8.9
R69	7030005050	S.RES ERJ2GEJ 103 X (10K)	B	71.8/29.1
R70	7410001130	S.ARR EXB28V102JX	B	65.2/19.9
R71	7410001130	S.ARR EXB28V102JX	B	65.6/17

[FRONT-A UNIT] (For [F9521S], [F9523S])

REF NO.	PARTS NO.	DESCRIPTION	M.	H/V LOCATION
R72	7030005090	S.RES ERJ2GEJ 104 X (100K)	B	82.9/25.9
R73	7030005050	S.RES ERJ2GEJ 103 X (10K)	B	21.8/30.1
R74	7030005090	S.RES ERJ2GEJ 104 X (100K)	B	23.3/12.5
R75	7030005090	S.RES ERJ2GEJ 104 X (100K)	B	51.1/23.4
R76	7030005090	S.RES ERJ2GEJ 104 X (100K)	B	73.7/29.8
R77	7030005090	S.RES ERJ2GEJ 104 X (100K)	B	20.1/8.9
R85	7030005090	S.RES ERJ2GEJ 104 X (100K)	B	18.5/7.8
R86	7030005090	S.RES ERJ2GEJ 104 X (100K)	B	20.1/7.8
R88	7030005050	S.RES ERJ2GEJ 103 X (10K)	B	21/4
R89	7030005050	S.RES ERJ2GEJ 103 X (10K)	B	20.1/4
C10	4030016930	S.CER ECJ0EB1A104K	B	81.9/18.1
C11	4030017030	S.CER ECJ0EB1A273K	B	82.5/31.4
C12	4030017630	S.CER ECJ0EC1H120J	B	83.7/21.3
C13	4030017580	S.CER ECJ0EC1H060C	B	83.7/19.7
C14	4030017640	S.CER ECJ0EC1H150J	B	83.7/18.1
C15	4030016930	S.CER ECJ0EB1A104K	B	81.6/15.5
C16	4030016790	S.CER ECJ0EB1C103K	B	82.9/24.9
C17	4030016930	S.CER ECJ0EB1A104K	B	81.2/23.2
C18	4030017420	S.CER ECJ0EC1H470J	B	100.7/8.8
C28	4030017460	S.CER ECJ0EB1E102K	B	60/26.5
C30	4030016930	S.CER ECJ0EB1A104K	B	83/8.5
C31	4030017460	S.CER ECJ0EB1E102K	B	90.9/3.1
C33	4030017460	S.CER ECJ0EB1E102K	B	11.1/21.1
C35	4030017420	S.CER ECJ0EC1H470J	B	91.5/4.7
C36	4030017460	S.CER ECJ0EB1E102K	B	23.8/30.1
C37	4030017420	S.CER ECJ0EC1H470J	B	7.8/9.4
C38	4030017420	S.CER ECJ0EC1H470J	B	88.9/11.2
C39	4030017460	S.CER ECJ0EB1E102K	B	96.1/10.7
C41	4030017420	S.CER ECJ0EC1H470J	B	94.2/11.5
C42	4030017420	S.CER ECJ0EC1H470J	B	13.2/25.2
C43	4030017460	S.CER ECJ0EB1E102K	B	24.6/15.6
C44	4030017420	S.CER ECJ0EC1H470J	B	90.5/11.2
C45	4030018860	S.CER ECJ0EB0J105K	B	18.5/9.8
C46	4030017420	S.CER ECJ0EC1H470J	B	92/12.8
C47	4030017420	S.CER ECJ0EC1H470J	B	17.6/15.2
C48	4030017460	S.CER ECJ0EB1E102K	B	28.5/15.2
C49	4030016790	S.CER ECJ0EB1C103K	B	26.5/17.9
C50	4550007080	S.TAN TEESVA 1C 106M8R	B	24.8/20.8
C51	4030017460	S.CER ECJ0EB1E102K	B	11.7/18.2
C52	4030017420	S.CER ECJ0EC1H470J	B	24.9/12.5
C53	4030016930	S.CER ECJ0EB1A104K	B	85.8/5.8
C54	4550007080	S.TAN TEESVA 1C 106M8R	B	80.8/5.8
C55	4030016930	S.CER ECJ0EB1A104K	B	86.7/5.8
C56	4030016790	S.CER ECJ0EB1C103K	B	82.1/8.5
C57	4550007080	S.TAN TEESVA 1C 106M8R	B	84.6/10.1
C58	4030017730	S.CER ECJ0EB1E471K	B	101.9/14
C59	4030017730	S.CER ECJ0EB1E471K	B	100.1/14
C60	4030016930	S.CER ECJ0EB1A104K	B	81.2/26.9
C61	4030016930	S.CER ECJ0EB1A104K	B	49.6/33.7
C62	4030016930	S.CER ECJ0EB1A104K	B	51.2/33.7
C63	4030016930	S.CER ECJ0EB1A104K	B	51.2/32.8
C64	4030016930	S.CER ECJ0EB1A104K	B	51.1/31.6
C65	4030016930	S.CER ECJ0EB1A104K	B	52/31.6
C66	4030017490	S.CER C1608 JB 1A 105K-T	B	51.6/26.3
C67	4030017490	S.CER C1608 JB 1A 105K-T	B	51.6/24.8
C68	4030017460	S.CER ECJ0EB1E102K	B	50.7/21.7
C69	4030017460	S.CER ECJ0EB1E102K	B	87.6/5.8
C70	4030018920	S.CER ECJ0EB1H392K	B	26.5/13.4
C71	4030017460	S.CER ECJ0EB1E102K	B	21.7/9.8
C72	4550007080	S.TAN TEESVA 1C 106M8R	B	32.7/7.2
C73	4550007080	S.TAN TEESVA 1C 106M8R	B	32.6/5.1
C74	4030016930	S.CER ECJ0EB1A104K	B	24.9/9.8
C75	4030016930	S.CER ECJ0EB1A104K	B	28.1/8.9
C76	4030018860	S.CER ECJ0EB0J105K	B	24.9/10.7
C77	4030017420	S.CER ECJ0EC1H470J	B	78.1/32.2
C78	4030017420	S.CER ECJ0EC1H470J	B	79.7/32.2
C79	4030016930	S.CER ECJ0EB1A104K	B	24.9/11.6
C80	4030016930	S.CER ECJ0EB1A104K	B	19.2/4
C81	4030016930	S.CER ECJ0EB1A104K	B	18.5/8.9
J1	6510024522	S.CON 12FLT-SM2-TB(LF)(SN)(M)	B	91.2/8.5
J2	6450002210	CON 3017-8821 <KIN>		
J4	6510022021	S.CON 14FLT-SM2-TB(LF)(SN)	B	56.6/24.8
DS1	5030002811	LCD L4-0013TVY-2	T	49.9/6.5
DS5	5040002310	S.LED SML-311YTT86	T	35.4/6.5
DS6	5040002310	S.LED SML-311YTT86	T	20.9/6.5
DS7	5040002310	S.LED SML-311YTT86	T	93.4/6.5
DS8	5040002310	S.LED SML-311YTT86	T	78.9/6.5
DS9	5040002310	S.LED SML-311YTT86	T	82.1/27
DS11	5040002310	S.LED SML-311YTT86	T	72.1/27
DS12	5040002310	S.LED SML-311YTT86	T	62.1/27
DS13	5040002310	S.LED SML-311YTT86	T	52.1/27
DS14	5040002310	S.LED SML-311YTT86	T	42.1/27
DS15	5040002310	S.LED SML-311YTT86	T	32.1/27
DS16	5040002310	S.LED SML-311YTT86	T	105.6/14
DS17	5040002930	S.LED SML-512MWW T86	T	97.6/14
DS18	5040002990	S.LED SML-512UWWT86	T	64.4/6.5
DS26	5040002310	S.LED SML-311YTT86	T	
S9	2250000511	ENC RH70N1037E20-13F-2781		

M.=Mounted side (T: Mounted on the Top side, B: Mounted on the Bottom side)
S.=Surface mount

[FRONT-A UNIT] (For [F9521S], [F9523S])

REF NO.	PARTS NO.	DESCRIPTION	M.	H/V LOCATION
SP1	2510001290	SPE C062SB504-11 <OSC>		
W1	8900013692	CAB OPC-1425A-1(P0.5,N12,L92) <TJM>		
W2	8900013700	CAB OPC-1426		
EP1	8930065150	LCD SRCN-2781-SP-N-W (SHJ)		

[FRONT-B UNIT] (For [F9521T], [F9523T])

REF NO.	PARTS NO.	DESCRIPTION	M.	H/V LOCATION
IC2	1110005771	S.IC S-80942CNMC-G9CT2G	B	84.8/29.1
IC3	1140010771	S.IC HD64F3687FPV(EMPTY)	B	76.3/21.4
IC4	1130007111	S.IC TC7W04FU(TE12L,F)	B	66.5/28.7
IC5	1130013240	S.IC TC75S51FU(TE85L,F)	B	29.1/15.1
IC6	1110005350	S.IC NJM2870F05-TE1-#FZZB	B	84.1/5.5
IC7	1130009121	S.IC S1D15206F00A200	B	43.3/21.1
IC8	1130009981	S.IC TC7W53FK(TE85L,F)	B	20.4/14.9
IC9	1110005310	S.IC AN6123MS	B	31.6/6.6
IC10	1130013240	S.IC TC75S51FU(TE85L,F)	B	25/6.1
Q1	1590001330	S.TRA DTA114EUA T106	B	63.5/32.8
Q2	1590000680	S.TRA DTC114EUA T106	B	66.6/24.2
Q3	1530002851	S.TRA 2SC4116-BL(TE85R,F)	B	70.4/9.4
Q4	1590001050	S.TRA DTC114TUA T106	B	73.4/9.4
Q5	1590001050	S.TRA DTC114TUA T106	B	73.4/12.1
Q6	1590001050	S.TRA DTC114TUA T106	B	103/12.1
Q7	1590001050	S.TRA DTC114TUA T106	B	105.6/12.1
Q8	1590001660	S.TRA XP4312(TX)	B	28.4/6.1
D1	1790001261	S.DIO MA2S077G0L	B	85.1/16.7
D4	1790001251	S.DIO MA2S1110GL	B	64.1/30.4
D5	1790000951	S.ZEN MAZ8056GML	B	24/28.5
D6	1790000951	S.ZEN MAZ8056GML	B	24/32.2
D7	1790000951	S.ZEN MAZ8056GML	B	22.1/17.7
D8	1790001251	S.DIO MA2S1110GL	B	87.5/12.7
D9	1750000130	S.DIO DA204U T106	B	62.9/9.9
D10	1750000130	S.DIO DA204U T106	B	60.4/9.9
D11	1750000130	S.DIO DA204U T106	B	56.8/9.9
D12	1790001251	S.DIO MA2S1110GL	B	72.3/29.5
X1	6050011720	S.XTA CR-764 SMD-49TB 19.6608 MHz <KDS>	B	89.6/20.5
L1	6200003640	S.COI MLF1608E 100K-T	B	17.6/14.8
R4	7030008010	S.RES ERJ2GEJ 123 X (12K)	B	85.9/15.6
R5	7030008010	S.RES ERJ2GEJ 123 X (12K)	B	85.5/18.1
R6	7030005160	S.RES ERJ2GEJ 105 X (1M)	B	85.5/21.3
R7	7030008010	S.RES ERJ2GEJ 123 X (12K)	B	83.7/18.1
R8	7030005530	S.RES ERJ2GEJ 100 X (10)	B	83.9/20.8
R9	7030005090	S.RES ERJ2GEJ 104 X (100K)	B	56.2/21.1
R10	7030010040	S.RES ERJ2GEJ-JPW	B	11.4/9.5
R12	7030005090	S.RES ERJ2GEJ 104 X (100K)	B	62.7/29.6
R14	7030005090	S.RES ERJ2GEJ 104 X (100K)	B	65.5/32.2
R15	7030005090	S.RES ERJ2GEJ 104 X (100K)	B	62.7/27.5
R16	7030007300	S.RES ERJ2GEJ 332 X (3.3K)	B	62.7/30.6
R18	7030005220	S.RES ERJ2GEJ 223 X (22K)	B	64.3/26.5
R19	7030009280	S.RES ERJ2GEJ 391 X	B	70/11.2
R20	7030005240	S.RES ERJ2GEJ 473 X (47K)	T	21.1/14.5
R21	7030005090	S.RES ERJ2GEJ 104 X (100K)	B	23.2/30.8
R22	7030009140	S.RES ERJ2GEJ 272 X (2.7K)	B	71.6/11.2
R24	7030005050	S.RES ERJ2GEJ 103 X (10K)	B	31.5/16.9
R25	7030009140	S.RES ERJ2GEJ 272 X (2.7K)	B	29.1/10.6
R26	7030007290	S.RES ERJ2GEJ 222 X (2.2K)	B	28.3/17.8
R28	7030005050	S.RES ERJ2GEJ 103 X (10K)	B	29.1/12.4
R29	7030005050	S.RES ERJ2GEJ 103 X (10K)	B	29.9/16.9
R30	7030005120	S.RES ERJ2GEJ 102 X (1K)	B	20.4/16.7
R31	7030005120	S.RES ERJ2GEJ 102 X (1K)	B	12.2/21.6
R32	7030005120	S.RES ERJ2GEJ 102 X (1K)	B	11.7/20.3
R33	7030007280	S.RES ERJ2GEJ 331 X (330)	B	104.3/34.6
R34	7030004980	S.RES ERJ2GEJ 101 X (100)	B	121.2/29.9
R35	7210003050	VAR EVU-F2KFK3 B14 (10KB)		
R36	7030004980	S.RES ERJ2GEJ 101 X (100)	B	89.4/28.1
R37	7030004980	S.RES ERJ2GEJ 101 X (100)	B	89.4/29.1
R38	7030005090	S.RES ERJ2GEJ 104 X (100K)	B	87.5/11.4
R39	7030005240	S.RES ERJ2GEJ 473 X (47K)	B	85.4/12.7
R40	7030005120	S.RES ERJ2GEJ 102 X (1K)	B	55/8.9
R41	7030005120	S.RES ERJ2GEJ 102 X (1K)	B	58.6/8.9
R42	7030005120	S.RES ERJ2GEJ 102 X (1K)	B	63.4/7.8
R43	7030005120	S.RES ERJ2GEJ 102 X (1K)	B	100.4/13.1
R44	7030005010	S.RES ERJ2GEJ 681 X (680)	B	109/12.1
R48	7030005090	S.RES ERJ2GEJ 104 X (100K)	B	77.4/30
R49	7030005090	S.RES ERJ2GEJ 104 X (100K)	B	78.3/30
R50	7030005090	S.RES ERJ2GEJ 104 X (100K)	B	79.2/30
R51	7030005090	S.RES ERJ2GEJ 104 X (100K)	B	80.1/30
R52	7030005090	S.RES ERJ2GEJ 104 X (100K)	B	81/30
R55	7510001730	S.THE ERTJOEP 473J	B	83.9/24.9
R56	7030005120	S.RES ERJ2GEJ 102 X (1K)	B	83.9/25.9
R57	7030003810	S.RES ERJ3GEYJ 125 V (1.2M)	B	60.7/33.2
R58	7030003810	S.RES ERJ3GEYJ 125 V (1.2M)	B	56.9/29.8
R59	7310005470	S.TRI EVM-3VSX50 BQ5 (474)	B	57.8/32.3
R60	7030005040	S.RES ERJ2GSEJ 472 X (4.7K)	B	17.2/13
R61	7030005090	S.RES ERJ2GEJ 104 X (100K)	B	20.4/13
R62	7030004980	S.RES ERJ2GEJ 101 X (100)	B	30.7/4.4
R63	7030005160	S.RES ERJ2GEJ 105 X (1M)	B	32.4/4.4
R64	7030005050	S.RES ERJ2GEJ 103 X (10K)	B	29.1/9.7
R65	7030007290	S.RES ERJ2GEJ 222 X (2.2K)	B	29.1/11.5
R66	7030009290	S.RES ERJ2GEJ 562 X (5.6K)	B	30.7/9.7
R68	7030010040	S.RES ERJ2GEJ-JPW	B	29.1/8.8
R70	7410001130	S.ARR EXB28V102JX	B	67.9/19.9
R71	7410001130	S.ARR EXB28V102JX	B	68.3/17
R72	7030005090	S.RES ERJ2GEJ 104 X (100K)	B	85.6/25.9
R73	7030005050	S.RES ERJ2GEJ 103 X (10K)	B	23.2/29.9
R74	7030005090	S.RES ERJ2GEJ 104 X (100K)	B	25.9/12.4
R75	7030005090	S.RES ERJ2GEJ 104 X (100K)	B	53.8/23.4
R76	7030005090	S.RES ERJ2GEJ 104 X (100K)	B	76.5/30
R77	7030005090	S.RES ERJ2GEJ 104 X (100K)	B	24.2/9.7
R80	7030004980	S.RES ERJ2GEJ 101 X (100)	B	121.9/11.6
R81	7030004980	S.RES ERJ2GEJ 101 X (100)	B	67.8/4.3

M.=Mounted side (T: Mounted on the Top side, B: Mounted on the Bottom side)
S.=Surface mount

[FRONT-B UNIT] (For [F9521T], [F9523T])

REF NO.	PARTS NO.	DESCRIPTION	M.	H/V LOCATION
R82	7030004980	S.RES ERJ2GEJ 101 X (100)	B	53.7/4.8
R83	7030005090	S.RES ERJ2GEJ 104 X (100K)	B	74.1/29.5
R84	7030005090	S.RES ERJ2GEJ 104 X (100K)	B	75/29.5
R85	7030005090	S.RES ERJ2GEJ 104 X (100K)	B	24.2/7.9
R86	7030005090	S.RES ERJ2GEJ 104 X (100K)	B	25.8/7.9
R88	7030005050	S.RES ERJ2GEJ 103 X (10K)	B	25.9/4
R89	7030005050	S.RES ERJ2GEJ 103 X (10K)	B	25/4
C10	4030016930	S.CER ECJ0EB1A104K	B	84.6/18.1
C11	4030017030	S.CER ECJ0EB1A273K	B	84.8/31.3
C12	4030017630	S.CER ECJ0EC1H120J	B	86.4/21.3
C13	4030017580	S.CER ECJ0EC1H060C	B	86.4/19.7
C14	4030017640	S.CER ECJ0EC1H150J	B	86.4/18.1
C15	4030016930	S.CER ECJ0EB1A104K	B	84.3/15.6
C16	4030016790	S.CER ECJ0EB1C103K	B	85.6/24.9
C17	4030016930	S.CER ECJ0EB1A104K	B	83.9/23.2
C18	4030017420	S.CER ECJ0EC1H470J	B	103.4/8.8
C28	4030017460	S.CER ECJ0EB1E102K	B	62.7/26.5
C30	4030016930	S.CER ECJ0EB1A104K	B	82.9/8.6
C31	4030017460	S.CER ECJ0EB1E102K	B	92.5/4.2
C33	4030017460	S.CER ECJ0EB1E102K	B	11.3/21.6
C35	4030017420	S.CER ECJ0EC1H470J	B	92.5/5.1
C36	4030017460	S.CER ECJ0EB1E102K	B	24.8/29.9
C37	4030017420	S.CER ECJ0EC1H470J	B	7.9/9.5
C38	4030017420	S.CER ECJ0EC1H470J	B	89.1/11.4
C39	4030017460	S.CER ECJ0EB1E102K	B	96/10.5
C41	4030017420	S.CER ECJ0EC1H470J	B	93.9/11.3
C42	4030017420	S.CER ECJ0EC1H470J	B	13.3/25
C43	4030017460	S.CER ECJ0EB1E102K	B	28.3/16.9
C44	4030017420	S.CER ECJ0EC1H470J	B	90.7/11.4
C45	4030018860	S.CER ECJ0EB0J105K	B	18.8/13
C46	4030017420	S.CER ECJ0EC1H470J	B	94.7/12.8
C47	4030017420	S.CER ECJ0EC1H470J	T	19.6/14.5
C48	4030017460	S.CER ECJ0EB1E102K	B	31.1/15.1
C49	4030016790	S.CER ECJ0EB1C103K	B	29.9/17.8
C50	4550007080	S.TAN TEESVA 1C 106M8R	B	27.5/20.8
C51	4030017460	S.CER ECJ0EB1E102K	B	11.7/19.3
C52	4030017420	S.CER ECJ0EC1H470J	B	27.5/12.4
C53	4030016930	S.CER ECJ0EB1A104K	B	86.4/5.5
C54	4550007080	S.TAN TEESVA 1C 106M8R	B	81.2/5.5
C55	4030016930	S.CER ECJ0EB1A104K	B	87.4/5.5
C56	4030016790	S.CER ECJ0EB1C103K	B	82.9/7.7
C57	4550007080	S.TAN TEESVA 1C 106M8R	B	85/9.7
C58	4030017730	S.CER ECJ0EB1E471K	B	104.6/14
C59	4030017730	S.CER ECJ0EB1E471K	B	102.8/14
C60	4030016930	S.CER ECJ0EB1A104K	B	83.9/26.9
C61	4030016930	S.CER ECJ0EB1A104K	B	52.4/33.7
C62	4030016930	S.CER ECJ0EB1A104K	B	53.9/33.7
C63	4030016930	S.CER ECJ0EB1A104K	B	53.9/32.8
C64	4030016930	S.CER ECJ0EB1A104K	B	53.8/31.6
C65	4030016930	S.CER ECJ0EB1A104K	B	54.8/31.6
C66	4030017490	S.CER C1608 JB 1A 105K-T	B	54.3/26.3
C67	4030017490	S.CER C1608 JB 1A 105K-T	B	54.3/24.8
C68	4030017460	S.CER ECJ0EB1E102K	B	53.4/21.7
C69	4030017460	S.CER ECJ0EB1E102K	B	88.4/5.5
C70	4030018920	S.CER ECJ0EB1H392K	B	29.1/13.3
C71	4030017460	S.CER ECJ0EB1E102K	B	22/13
C72	4550007080	S.TAN TEESVA 1C 106M8R	B	36.2/7.1
C73	4550007080	S.TAN TEESVA 1C 106M8R	B	36.2/5
C74	4030016930	S.CER ECJ0EB1A104K	B	27.5/9.7
C75	4030016930	S.CER ECJ0EB1A104K	B	30.7/8.8
C76	4030018860	S.CER ECJ0EB0J105K	B	27.5/10.6
C79	4030016930	S.CER ECJ0EB1A104K	B	27.5/11.5
C80	4030016930	S.CER ECJ0EB1A104K	B	24.1/4
C81	4030016930	S.CER ECJ0EB1A104K	B	24.2/8.8
J1	6510024522	S.CON 12FLT-SM2-TB(LF)(SN)(M)	B	90.9/8.5
J2	6450002210	CON 3017-8821 <KIN>	B	
J4	6510022021	S.CON 14FLT-SM2-TB(LF)(SN)	B	59.4/24.8
DS1	5030002811	LCD L4-0013TVY-2	T	
DS2	5040002310	S.LED SML-311YTT86	T	104.3/22.5
DS3	5040002310	S.LED SML-311YTT86	T	104.3/34.5
DS7	5040002310	S.LED SML-311YTT86	T	23.6/6.5
DS8	5040002310	S.LED SML-311YTT86	T	123.5/30.4
DS9	5040002310	S.LED SML-311YTT86	T	139.8/30.4
DS10	5040002310	S.LED SML-311YTT86	T	156.1/30.4
DS11	5040002310	S.LED SML-311YTT86	T	84.9/27
DS12	5040002310	S.LED SML-311YTT86	T	74.9/27
DS13	5040002310	S.LED SML-311YTT86	T	64.9/27
DS14	5040002310	S.LED SML-311YTT86	T	54.9/27
DS15	5040002310	S.LED SML-311YTT86	T	44.9/27
DS16	5040002310	S.LED SML-311YTT86	T	34.9/27
DS17	5040002930	S.LED SML-512MW T86	T	108.3/14
DS18	5040002990	S.LED SML-512UWT86	T	100.3/14
DS19	5040002310	S.LED SML-311YTT86	T	123.5/10.4
DS20	5040002310	S.LED SML-311YTT86	T	139.8/10.4
DS21	5040002310	S.LED SML-311YTT86	T	156.1/10.4
DS22	5040002310	S.LED SML-311YTT86	T	67.1/6.5
DS23	5040002310	S.LED SML-311YTT86	T	81.6/6.5
DS24	5040002310	S.LED SML-311YTT86	T	52.6/6.5
DS25	5040002310	S.LED SML-311YTT86	T	38.1/6.5
DS26	5040002310	S.LED SML-311YTT86	T	96.1/6.5
W1	8900013692	CAB OPC-1425A-(P0.5,N12,L92) <TJM>		
EP1	8930065150	LCD SRCN-2781-SP-N-W (SHJ)		

[MAIN UNIT]

REF NO.	PARTS NO.	DESCRIPTION	M.	H/V LOCATION
IC1	1110007260	S.IC NJM2734V-TE1-#ZZZB	B	72.4/28.1
IC4	1130010100	S.IC LMX2352TMX/NOPB	T	77.9/56.2
IC7	1110007260	S.IC NJM2734V-TE1-#ZZZB	T	102/69.1
IC9	1130012960	S.IC BU8872FS-E2	B	65.6/9.4
IC12	1110003491	S.IC TA31136FNG(D,EL)	T	25.5/22.8
IC15	1150002310	IC RA60H4047M1-101		
IC16	1130014000	S.IC ISL43110IHZ-T <MAC>	B	59/36.3
IC22	1110002751	S.IC TA75S01F(TE85R,F)	B	148.5/69.5
IC25	1110006221	S.IC AK2346P-E2/P	T	56/24.1
IC27	1110007290	S.IC AK2330P-L	T	78.5/39.7
IC30	1190002570	S.IC DAC084S085C1MM	T	35.5/67.6
IC31	1180000970	S.IC AN78L05M-(E1)	B	111.4/83.4
IC32	6910021150	S.DC XC9119D10AMR	B	138.3/52.5
IC35	1120003070	S.IC MAX3232EIPWR	T	101.3/96.9
IC36	1180001251	S.IC TA7808F(TE16L,Q)	B	124/78.4
IC37	1110002751	S.IC TA75S01F(TE85R,F)	T	53/87.4
IC38	1110003091	IC LA4425A-E		
IC39	1110005801	IC TA8225LQ		
IC40	1180002590	S.REG XC6204B332MR	B	131.3/56.8
IC41	1180002590	S.REG XC6204B332MR	B	139.3/77.4
IC42	1130008230	S.IC BU4053BCFV-E2	B	70.2/36.3
IC43	1130008230	S.IC BU4053BCFV-E2	T	75/27.6
IC44	1130013050	S.IC HD74LV2GT125AUSE-E	B	143.3/18.7
IC45	1130013050	S.IC HD74LV2GT125AUSE-E	B	143.3/23.7
IC46	1130013040	S.IC TC7WBD125AFK(T5L,F)	B	133.5/18.7
IC51	1110007240	S.IC S-8533A39AFT-TB-G	B	150.8/27.7
IC52	1130013240	S.IC TC75S51FU(TE85L,F)	B	134.2/7.7
IC603	1130014310	S.IC CS16LV20493HIP55-REEL	T	112.8/44.7
IC606	1190002530	S.IC RX-8025NB	B	104.1/60.5
IC607	1130014140	S.IC EN29LV320AT-70BIP	T	114.8/35.1
IC608	1140014130	S.IC R5F61664N50FPV	B	114.3/39.8
IC609	1140014160	S.IC 24LC1025T-1/SM	B	112.5/60.6
IC610	1110005731	S.IC S-80928CNMC-G8Y-G	T	125.9/44
IC611	1130013050	S.IC HD74LV2GT125AUSE-E	T	79.2/14.9
IC613	1130008811	S.IC TC7SH32FU(TE85L,JF)	B	133.5/63.1
IC614	1130014200	S.IC TC7WPB307FK(TE85L,F)	B	136.7/18.7
IC616	1130014200	S.IC TC7WPB307FK(TE85L,F)	B	139.5/18.7
IC618	1130013960	S.IC TC74LCX08FK(EL,K)	T	121.1/44.7
IC620	1130014040	S.IC MCP23S17T-E/ML	T	87/80.7
IC621	1130014040	S.IC MCP23S17T-E/ML	T	89.8/66.7
IC622	1130014040	S.IC MCP23S17T-E/ML	T	115.1/97
IC801	1140014120	S.IC TMS320VC5510AZGWA1	B	115.5/14
IC802	1130012910	S.IC AK4554VTP-E2/P	B	95.7/16.5
IC803	1110006230	S.IC NJM2711F-TE1-#ZZZB	T	115.4/26.7
IC804	1190002080	S.IC AD7476ARTZ-500RL7 <FE>	T	44.9/8.9
IC805	1110005290	S.IC NJM2115V-TE1-#ZZZB	B	93.3/25.2
IC806	1130014000	S.IC ISL43110IHZ-T <MAC>	B	100/25.2
IC807	1110006230	S.IC NJM2711F-TE1-#ZZZB	T	44.9/20.6
IC808	1180002590	S.REG XC6204B332MR	B	131.8/27.2
IC809	1110006700	S.IC TB7100F(TE85L,F)	B	144.5/46.6
IC811	1130006891	S.IC TC7S04FU(TE85R,F)	T	115.1/22.6
Q1	1530002851	S.TRA 2SC4116-BL(TE85R,F)	B	30.8/21.2
Q2	1590003231	S.TRA UNR9113G0L	T	36.6/12.7
Q3	1560001360	S.FET 2SK3019 TL	T	32.3/18
Q4	1560000531	S.FET 2SK880-GR(TE85R,F)	B	78.3/47
Q5	1590003451	S.TRA UNR9214G0L	B	60.4/64
Q7	1590003451	S.TRA UNR9214G0L	T	109.8/70.4
Q9	1530002851	S.TRA 2SC4116-BL(TE85R,F)	B	60.4/59.7
Q12	1530003311	S.TRA 2SC5107-O(TE85R,F)	T	22.4/31.3
Q13	1530002851	S.TRA 2SC4116-BL(TE85R,F)	T	31.6/27.4
Q17	1530002920	S.TRA 2SC4226-T1 R25	T	49.5/4.4
Q18	1530002920	S.TRA 2SC4226-T1 R25	T	56.5/54.3
Q19	1530002920	S.TRA 2SC4226-T1 R25	T	64.1/55.8
Q20	1590003231	S.TRA UNR9113G0L	B	33.2/26.1
Q21	1590003451	S.TRA UNR9214G0L	B	110.3/73.7
Q22	1530003311	S.TRA 2SC5107-O(TE85R,F)	T	55.2/61.5
Q23	1530003340	S.TRA 2SC3357-T1 RF	B	67.4/92.8
Q24	1580000731	S.FET 3SK293(TE85L,F)	B	10.1/66.2
Q25	1530004110	S.TRA MT3S37T(TE85L,F)	T	59.4/63
Q26	1560000841	S.FET 2SK1829(TE85R,F)	T	6.4/67.1
Q27	1590001400	S.TRA XP1214(TX)	B	53.6/61.9
Q28	1590001400	S.TRA XP1214(TX)	B	57.2/61.9
Q29	1530003311	S.TRA 2SC5107-O(TE85R,F)	T	49.2/62.6
Q30	1590003451	S.TRA UNR9214G0L	B	53.6/64.7
Q31	1510001110	S.TRA 2SA1577T106R	B	109.7/77.6
Q33	1530003260	S.TRA 2SC5006-T1	B	62.9/88.1
Q34	1540000550	S.TRA 2SD1664 T100Q	B	116.5/82.3
Q35	1590003451	S.TRA UNR9214G0L	B	113.4/73.7
Q36	1530002851	S.TRA 2SC4116-BL(TE85R,F)	T	49.5/83.4
Q37	1590003451	S.TRA UNR9214G0L	B	113.4/76.3
Q39	1560000531	S.FET 2SK880-GR(TE85R,F)	B	79.7/53.2
Q40	1590003451	S.TRA UNR9214G0L	B	107.2/102.4
Q41	1590001451	S.FET 2SJ144-GR(TE85R,F)	B	115.4/102.3
Q42	1590003451	S.TRA UNR9214G0L	B	145.5/78.3
Q43	1590000990	S.TRA DTC363EK T146	B	150.6/78.3
Q44	1590003451	S.TRA UNR9214G0L	T	112.4/106.3
Q46	1530002851	S.TRA 2SC4116-BL(TE85R,F)	B	75.2/53.3
Q47	1530002851	S.TRA 2SC4116-BL(TE85R,F)	B	71.6/53.3
Q48	1530002851	S.TRA 2SC4116-BL(TE85R,F)	B	145.5/74.6
Q49	1590003451	S.TRA UNR9214G0L	B	136.9/75
Q50	1530002601	S.TRA 2SC4215-O(TE85R,F)	B	35.3/47.2
Q51	1590003451	S.TRA UNR9214G0L	B	112.3/101.4
Q52	1590003451	S.TRA UNR9214G0L	T	152.2/90.9
Q53	1590003451	S.TRA UNR9214G0L	T	52.4/83.4
Q54	1590001650	S.TRA XP4601(TX)	T	88.1/41.4
Q55	1560001360	S.FET 2SK3019 TL	T	148.9/8.9
Q57	1590003451	S.TRA UNR9214G0L	T	129.4/15.1
Q58	1590003451	S.TRA UNR9214G0L	B	139.2/1

[MAIN UNIT]

REF NO.	PARTS NO.	DESCRIPTION	M.	H/V LOCATION
Q64	1560000990	S.FET PMBFJ310	B	35.3/50.6
Q65	1590003231	S.TRA UNR9113G0L	T	131.5/15.1
Q67	1530002851	S.TRA 2SC4116-BL(TE85R,F)	B	134.4/49.1
Q70	1590003291	S.TRA UNR9213G0L	T	89.3/85.5
Q71	1590003231	S.TRA UNR9113G0L	B	137.4/8.4
Q72	1590003291	S.TRA UNR9213G0L	B	140.1/8.4
Q601	1590003451	S.TRA UNR9214G0L	B	127.9/63
Q602	1590003231	S.TRA UNR9113G0L	B	130.1/63
Q603	1590003451	S.TRA UNR9214G0L	T	91.9/71.6
Q604	1590003451	S.TRA UNR9214G0L	T	91.9/73.7
Q605	1590003451	S.TRA UNR9214G0L	T	88.9/71.6
Q606	1590003451	S.TRA UNR9214G0L	T	88.9/73.7
Q607	1590003451	S.TRA UNR9214G0L	T	86.6/71.6
Q801	1530002851	S.TRA 2SC4116-BL(TE85R,F)	B	88.6/10.3
Q802	1590003550	S.TRA XP4313(TX)	B	100/21.2
Q803	1590003550	S.TRA XP4313(TX)	T	48.9/15
Q804	1590003231	S.TRA UNR9113G0L	T	126.8/31.6
Q805	1530002851	S.TRA 2SC4116-BL(TE85R,F)	B	74.2/57.7
D1	1750001070	S.DIO DAN235ETL	T	26.4/15.2
D2	1750001070	S.DIO DAN235ETL	T	26.4/8.8
D4	1790001261	S.DIO MA2S077G0L	T	64.3/62.9
D5	1790001261	S.DIO MA2S077G0L	T	61.5/62.9
D6	1750001070	S.DIO DAN235ETL	T	26/35.1
D7	1750001650	S.VAR 1SV309(TPH3,F)	T	67.1/50.8
D11	1720000651	S.VAR 1SV286(TPH3,F)	T	49.9/43.9
D12	1750000711	S.VAR HVC350BTRF-E	T	46.4/44.8
D15	1720000651	S.VAR 1SV286(TPH3,F)	T	57.5/43.9
D16	1750000711	S.VAR HVC350BTRF-E	T	54/44.8
D17	1750000711	S.VAR HVC350BTRF-E	B	15.7/65.3
D19	1750000581	S.DIO 1SV307(TPH3,F)	B	46.7/69.1
D20	1790001261	S.DIO MA2S077G0L	B	45.1/68.9
D23	1750000711	S.VAR HVC350BTRF-E	B	11/69.7
D24	1790001241	S.DIO MA2S7280GL	T	7.1/64.4
D26	1750000711	S.VAR HVC350BTRF-E	B	11/77.5
D27	1790001261	S.DIO MA2S077G0L	B	24.8/76.1
D29	1710001061	DIO L407CDB		
D32	1750001070	S.DIO DAN235ETL	B	32.2/44.1
D33	1720000651	S.VAR 1SV286(TPH3,F)	T	65.1/43.9
D34	1750000711	S.VAR HVC350BTRF-E	T	61.6/44.8
D35	1790001211	S.DIO 1S5375-TL-E	B	38.5/88.7
D37	1750000370	S.DIO DA221 TL	B	113.4/78.4
D38	1790000660	S.DIO MA728(TX)	B	9.9/81.7
D40	1790000660	S.DIO MA728(TX)	B	6/102.7
D42	1750001360	S.DIO L709CER (9401)	T	27.2/85
D43	1720000651	S.VAR 1SV286(TPH3,F)	T	65.1/45.1
D44	1750000711	S.VAR HVC350BTRF-E	T	60.4/44.8
D46	1710000831	S.DIO DF30SC4M-7072	B	133.2/88
D47	1750000431	S.DIO HSB88WSTR-E	T	27.1/58.1
D50	1750000370	S.DIO DA221 TL	T	100.2/102.6
D53	1790001251	S.DIO MA2S1110GL	B	147.3/78.3
D55	1750000370	S.DIO DA221 TL	T	106.5/102.6
D56	1750000370	S.DIO DA221 TL	T	104.4/102.6
D57	1750000370	S.DIO DA221 TL	T	102.3/102.6
D65	1790001621	S.DIO 1SV308(TPL3,F)	T	28.4/35.1
D66	1790001621	S.DIO 1SV308(TPL3,F)	B	34.5/43.4
D67	1790001621	S.DIO 1SV308(TPL3,F)	B	30/43.4
D69	1790001621	S.DIO 1SV308(TPL3,F)	T	23.1/35.1
D71	1160000140	S.DIO DAP222 TL	B	77/38.6
D74	1750001110	S.DIO SM244A-T	B	156.5/26.7
D75	1730002411	S.ZEN MAZ8200GHL	B	139.6/103.1
D76	1750000711	S.VAR HVC350BTRF-E	B	11.1/63.4
D77	1750000711	S.VAR HVC350BTRF-E	B	19.2/65.3
D78	1750000711	S.VAR HVC350BTRF-E	B	9.8/77.5
D79	1750000711	S.VAR HVC350BTRF-E	B	9.8/69.7
D80	1790001251	S.DIO MA2S1110GL	B	106.3/98.7
D81	1790001251	S.DIO MA2S1110GL	B	118/98.9
D82	1790001251	S.DIO MA2S1110GL	B	121.5/100.7
D83	1790001251	S.DIO MA2S1110GL	B	120.5/104.2
D84	1790001251	S.DIO MA2S1110GL	B	118/103.2
D85	1790001251	S.DIO MA2S1110GL	T	115.2/103.3
D86	1790001251	S.DIO MA2S1110GL	B	118/100.2
D87	1790001251	S.DIO MA2S1110GL	B	104.8/100.7
D601	1790001261	S.DIO MA2S077G0L	B	98.7/49.6
D602	1750000520	S.DIO DAN222TL	T	89.3/92.9
D603	1750000520	S.DIO DAN222TL	T	89.3/90.8
D604	1750000520	S.DIO DAN222TL	T	80.9/91.3
D605	1750000520	S.DIO DAN222TL	T	89.3/88.7
D606	1750000520	S.DIO DAN222TL	T	80.9/93.9
D607	1790001241	S.DIO MA2S7280GL	T	107.2/59.9
D801	1790001241	S.DIO MA2S7280GL	B	116.1/22.9
D802	1750001280	S.DIO CUS02(TE85L,Q)	B	144.5/44
D803	1790001241	S.DIO MA2S7280GL	B	99/45.8
D804	1790001241	S.DIO MA2S7280GL	B	137.3/55.6
D805	1750000370	S.DIO DA221 TL	T	4.6/64.7
D808	1790000991	S.ZEN MAZ8051GHL	B	132.1/48
FI1	2020001410	CER CFWLB450KGFA-B0 (CFWM450G)		
FI2	2020001410	CER CFWLB450KGFA-B0 (CFWM450G)		
FI3	2030000150	S.MON DSF753SB 46.350 MHz (FL-335)	T	33.1/41.5
FI4	2030000850	S.MON DSF753SBF 46.35 MHz (FL-441)	T	24.2/41.5
FI5	2040001440	S.LC NFE31PT152Z1E9L (NFM60R20T152)	B	85.2/103.6
FI6	2040001440	S.LC NFE31PT152Z1E9L (NFM60R20T152)	B	85.2/100.3
FI7	2040001440	S.LC NFE31PT152Z1E9L (NFM60R20T152)	B	85.2/97
FI10	2040001440	S.LC NFE31PT152Z1E9L (NFM60R20T152)	T	150.7/107.6

[MAIN UNIT]

REF NO.	PARTS NO.	DESCRIPTION	M.	H/V LOCATION
FI11	2040001440	S.LC NFE31PT152Z1E9L (NFM60R20T152)	B	148.6/108.1
FI801	2020001410	CER CFWLB450KGFA-B0 (CFWM450G)		
X1	6050011730	S.XTA CR-765 SMD-49TA 3.6864 MHz <KDS>	B	54.7/16.7
X2	6050013000	S.XTA CR-892 TTS14VSB-A8 15.3 MHz	B	85.5/48.6
X3	6050012320	S.XTA CR-818 SMD-49 4.194304 MHz <KDS>	B	54.6/9.3
X4	6070000300	S.DIS JTBM450CX24 <JJE>	T	33.2/22.8
X601	6050011700	S.XTA CR-760 DSX531S 9.8304 MHz	B	95.9/43.5
X801	6050012930	S.XTA CR-886 DSA321SCA 12.288 MHz	T	120.4/25.4
L1	6200003960	S.COI MLF1608A 1R0K-T	T	75.3/47.7
L2	6200003540	S.COI MLF1608D R22K-T	B	29.9/23.4
L3	6200004480	S.COI MLF1608D R82K-T	B	25.6/20.2
L4	6200005671	S.COI ELJRE 12NGFA	T	65.7/65
L5	6200007370	S.COI ELJFC R82K-F	T	48.5/56.8
L6	6200004741	S.COI NLV25T-1R2J	T	47.3/41.8
L7	6200007370	S.COI ELJFC R82K-F	T	56/56.8
L8	6200004741	S.COI NLV25T-1R2J	T	65.6/41.7
L9	6200004741	S.COI NLV25T-1R2J	T	62.6/41.8
L10	6200009390	S.COI C3328A-8N0J-A	T	48.9/48.5
L11	6200004741	S.COI NLV25T-1R2J	T	50.3/41.7
L12	6200013700	S.COI C36-12NH <COMO>	T	57/48.2
L13	6200004741	S.COI NLV25T-1R2J	T	55/41.8
L14	6200004741	S.COI NLV25T-1R2J	T	58/41.7
L15	6200013710	S.COI C36-8NH <COMO>	T	64.1/48.5
L18	6130002961	S.COI #617DB-1327=P3	T	33.5/58.1
L20	6200005721	S.COI ELJRE 33NGFA	T	57.1/61.5
L21	6200005661	S.COI ELJRE 10NGFA	T	58.6/65.2
L22	6200005711	S.COI ELJRE 27NGFA	B	34.8/64.8
L24	6130002961	S.COI #617DB-1327=P3	T	21.8/58.1
L25	6200005711	S.COI ELJRE 27NGFA	T	46.7/63.4
L26	6200010030	S.COI C2012C-15NG-A	B	17.4/65.5
L27	6200003550	S.COI MLF1608A 4R7K-T	B	40.8/50.9
L28	6200010740	S.COI C2520C-R27G-A	B	40.8/48
L29	6200002861	S.COI NLV25T-4R7J	B	39.1/53.5
L31	6200010030	S.COI C2012C-15NG-A	B	8/64
L32	6200012800	S.COI 0.40-1.5-5TL 20N <COMO>	B	14/71.1
L33	6200005641	S.COI ELJRE 6N8ZFA	B	73.3/94.6
L34	6200005691	S.COI ELJRE 18NGFA	T	74.7/100.5
L35	6200010150	S.COI AS080340-15N	T	33.5/102.2
L36	6200012800	S.COI 0.40-1.5-5TL 20N <COMO>	B	14/76.9
L37	6200010100	S.COI C2012C-33NG-A	B	20.3/76.4
L38	6200010420	S.COI FHW1210HC 1R0JGT <JJE>	B	36.6/99
L39	6200005691	S.COI ELJRE 18NGFA	B	27/78
L40	6200010150	S.COI AS080340-15N	T	31.1/85.1
L41	6200005011	S.COI NLV25T-100J	B	151.3/39.7
L42	6200010150	S.COI AS080340-15N	T	15.2/87.4
L43	6200010150	S.COI AS080340-15N	T	7.4/85.4
L44	6200010150	S.COI AS080340-15N	T	10.8/105.4
L45	6200010150	S.COI AS080340-15N	T	23.1/85.4
L46	6200005711	S.COI ELJRE 27NGFA	B	70.5/94.7
L47	6180003501	S.COI SLF6028T-100M1R3-PF	B	156.5/20.5
L48	6200005711	S.COI ELJRE 27NGFA	B	37.4/64.8
L49	6200005711	S.COI ELJRE 27NGFA	B	64.1/90.1
L50	6200010030	S.COI C2012C-15NG-A	B	21.9/65.6
L53	6200004741	S.COI NLV25T-1R2J	T	64.1/58.4
L801	6200012090	S.COI CDRH2D18HP-150NC	B	144.4/39.2
L802	6200007830	S.COI ELJFC 4R7K-F	B	140.1/35
L803	6200007830	S.COI ELJFC 4R7K-F	B	131.8/32.6
L804	6200007120	S.COI ELJND 1R0J	T	110/26.9
L805	6200007120	S.COI ELJND 1R0J	T	122.6/28.2
L806	6200012090	S.COI CDRH2D18HP-150NC	B	134.7/52.7
L807	6200005011	S.COI NLV25T-100J	B	133.2/45
R1	70300005050	S.RES ERJ2GEJ 103 X (10K)	B	77.6/29.5
R2	70300009150	S.RES ERJ2GEJ 824 X (820K)	B	79.3/32.7
R7	70300005060	S.RES ERJ2GEJ 333 X (33K)	T	55.5/33.3
R9	70300005050	S.RES ERJ2GEJ 103 X (10K)	T	55.5/31.5
R10	70300005050	S.RES ERJ2GEJ 103 X (10K)	T	57/29.5
R18	7030008300	S.RES ERJ2GEJ 184 X (180K)	B	67.9/29.9
R19	70300005700	S.RES ERJ2GEJ 274 X (270K)	B	64.5/28.9
R20	70300005090	S.RES ERJ2GEJ 104 X (100K)	B	62.9/27
R22	7030008300	S.RES ERJ2GEJ 184 X (180K)	B	77.6/30.8
R23	7410001130	S.ARR EXB28V102JX	T	80.6/61.8
R24	70300005060	S.RES ERJ2GEJ 333 X (33K)	B	55.7/23.9
R25	70300005120	S.RES ERJ2GEJ 102 X (1K)	T	58.5/19
R26	70300005000	S.RES ERJ2GEJ 471 X (470)	T	67.6/17.9
R27	7030007300	S.RES ERJ2GEJ 332 X (3.3K)	T	58.8/12.2
R28	7030010040	S.RES ERJ2GEJ-JPW	T	62/12.2
R29	70300005000	S.RES ERJ2GEJ 471 X (470)	T	67.6/18.8
R30	70300005170	S.RES ERJ2GEJ 474 X (470K)	B	57.2/27
R31	7030007340	S.RES ERJ2GEJ 153 X (15K)	B	58.9/28
R32	70300009710	S.RES ERJ2GEJ 203 X (20K)	B	58.9/29
R33	70300005160	S.RES ERJ2GEJ 105 X (1M)	B	67.9/26.6
R35	70300005120	S.RES ERJ2GEJ 102 X (1K)	B	66.8/26.6
R36	70300005110	S.RES ERJ2GEJ 224 X (220K)	B	62.9/26
R37	70300005010	S.RES ERJ2GEJ 681 X (680)	B	32.2/23.3
R38	70300006610	S.RES ERJ2GEJ 394 X (390K)	B	33.6/21.5
R39	70300007350	S.RES ERJ2GEJ 393 X (39K)	T	62/21.7
R40	70300005110	S.RES ERJ2GEJ 224 X (220K)	B	66.8/29.9
R41	70300005160	S.RES ERJ2GEJ 105 X (1M)	T	53.5/18.1
R42	70300005240	S.RES ERJ2GEJ 473 X (47K)	T	56.9/19
R43	70300005120	S.RES ERJ2GEJ 102 X (1K)	T	73.8/61.4
R44	70300005120	S.RES ERJ2GEJ 102 X (1K)	T	74/51.9
R48	70300005000	S.RES ERJ2GEJ 471 X (470)	B	83.6/52
R49	70300005580	S.RES ERJ2GEJ 560 X (56K)	B	70.6/61.1
R50	70300007340	S.RES ERJ2GEJ 153 X (15K)	T	25.5/7.2

M.=Mounted side (T: Mounted on the Top side, B: Mounted on the Bottom side)
S.=Surface mount

[MAIN UNIT]

REF NO.	PARTS NO.	DESCRIPTION	M.	H/V LOCATION
R51	7030005040	S.RES ERJ2GEJ 472 X (4.7K)	T	58.5/17.2
R52	7030005290	S.RES ERJ2GEJ 682 X (6.8K)	T	76.4/22.4
R56	7030005040	S.RES ERJ2GEJ 472 X (4.7K)	B	60.4/62
R57	7510001730	S.THE ERTJOEP 473J	T	107.5/30.2
R58	7030005090	S.RES ERJ2GEJ 104 X (100K)	T	105.9/30.2
R59	7030009290	S.RES ERJ2GEJ 562 X (5.6K)	T	25.8/10.9
R62	7030005040	S.RES ERJ2GEJ 472 X (4.7K)	T	28.6/28.1
R65	7030005090	S.RES ERJ2GEJ 104 X (100K)	T	62.2/22.2
R66	7030005050	S.RES ERJ2GEJ 103 X (10K)	B	62.9/28
R67	7030005210	S.RES ERJ2GEJ 822 X (8.2K)	T	58.5/18.1
R68	7030008010	S.RES ERJ2GEJ 123 X (12K)	T	63.7/22.6
R69	7030005090	S.RES ERJ2GEJ 104 X (100K)	B	71.6/31.4
R73	7030005700	S.RES ERJ2GEJ 274 X (270K)	T	105.8/66.2
R74	7030005050	S.RES ERJ2GEJ 103 X (10K)	T	107.4/65.3
R75	7030008300	S.RES ERJ2GEJ 184 X (180K)	B	64.5/28
R76	7030007340	S.RES ERJ2GEJ 153 X (15K)	B	71.4/45.9
R77	7030005000	S.RES ERJ2GEJ 471 X (470)	B	78.1/49.4
R78	7030005010	S.RES ERJ2GEJ 681 X (680)	B	71.4/46.8
R79	7030005040	S.RES ERJ2GEJ 472 X (4.7K)	T	63.4/65
R80	7030005040	S.RES ERJ2GEJ 472 X (4.7K)	T	62.5/65
R81	7030005110	S.RES ERJ2GEJ 224 X (220K)	B	58.4/38.7
R82	7030005110	S.RES ERJ2GEJ 224 X (220K)	B	62/38.7
R83	7030005120	S.RES ERJ2GEJ 102 X (1K)	T	83.3/40.5
R84	7030007280	S.RES ERJ2GEJ 331 X (330)	T	24.2/31.3
R85	7030005110	S.RES ERJ2GEJ 224 X (220K)	T	25.1/33
R86	7030005030	S.RES ERJ2GEJ 152 X (1.5K)	T	21.7/20.6
R87	7030007300	S.RES ERJ2GEJ 332 X (3.3K)	T	26.9/33
R88	7030009290	S.RES ERJ2GEJ 562 X (5.6K)	T	25.8/13.1
R89	7030004970	S.RES ERJ2GEJ 470 X (47)	T	33.9/27.2
R90	7030007300	S.RES ERJ2GEJ 332 X (3.3K)	T	27.6/10.9
R91	7030007290	S.RES ERJ2GEJ 222 X (2.2K)	T	33.9/29.9
R92	7030005700	S.RES ERJ2GEJ 274 X (270K)	T	73.5/37.4
R93	7030005050	S.RES ERJ2GEJ 103 X (10K)	T	73.5/39.2
R94	7030005240	S.RES ERJ2GEJ 473 X (47K)	T	101/64.6
R95	7030007350	S.RES ERJ2GEJ 393 X (39K)	T	101.1/63.2
R96	7030005240	S.RES ERJ2GEJ 473 X (47K)	B	65.5/36.6
R97	7030005060	S.RES ERJ2GEJ 333 X (33K)	T	69.5/28.4
R98	7030005120	S.RES ERJ2GEJ 102 X (1K)	B	67.7/32.9
R99	7030007340	S.RES ERJ2GEJ 153 X (15K)	T	24.9/15.2
R100	7030007350	S.RES ERJ2GEJ 393 X (39K)	T	27.8/17.9
R101	7030004980	S.RES ERJ2GEJ 101 X (100)	T	33.9/17.9
R102	7030005530	S.RES ERJ2GEJ 100 X (10)	T	25.1/31.3
R103	7030007340	S.RES ERJ2GEJ 153 X (15K)	T	30.5/35.1
R104	7030007270	S.RES ERJ2GEJ 151 X (150)	T	30.5/36.3
R105	7030007340	S.RES ERJ2GEJ 153 X (15K)	T	23.1/33.9
R106	7030007280	S.RES ERJ2GEJ 331 X (330)	T	21/36.3
R107	7030005000	S.RES ERJ2GEJ 471 X (470)	T	28.6/27.2
R108	7030007290	S.RES ERJ2GEJ 222 X (2.2K)	T	36.6/17.9
R109	7030005050	S.RES ERJ2GEJ 103 X (10K)	T	35.7/17.9
R110	7030007290	S.RES ERJ2GEJ 222 X (2.2K)	T	38.4/17.9
R112	7030005000	S.RES ERJ2GEJ 471 X (470)	T	84.3/36.8
R114	7030005090	S.RES ERJ2GEJ 104 X (100K)	B	77/40.2
R115	7030005090	S.RES ERJ2GEJ 104 X (100K)	T	134.1/15.1
R116	7030005090	S.RES ERJ2GEJ 104 X (100K)	T	80.5/33.9
R117	7030005240	S.RES ERJ2GEJ 473 X (47K)	T	73.5/36.5
R118	7030005700	S.RES ERJ2GEJ 274 X (270K)	B	62.7/53
R120	7030004990	S.RES ERJ2GEJ 221 X (220)	B	36.6/44.3
R122	7030007340	S.RES ERJ2GEJ 153 X (15K)	B	36.6/42.5
R123	7030007340	S.RES ERJ2GEJ 153 X (15K)	B	27.9/42.5
R125	7030009280	S.RES ERJ2GEJ 391 X	B	27.9/44.3
R127	7030007290	S.RES ERJ2GEJ 222 X (2.2K)	B	62.2/59.7
R128	7030005050	S.RES ERJ2GEJ 103 X (10K)	T	98.7/63.9
R129	7030005090	S.RES ERJ2GEJ 104 X (100K)	T	21.7/22.2
R130	7030008400	S.RES ERJ2GEJ 182 X (1.8K)	T	28.8/24.2
R131	7030005070	S.RES ERJ2GEJ 683 X (68K)	T	98.7/72
R132	7030004980	S.RES ERJ2GEJ 101 X (100)	T	133.8/16.7
R133	7030005240	S.RES ERJ2GEJ 473 X (47K)	T	105.8/73.3
R134	7030005050	S.RES ERJ2GEJ 103 X (10K)	B	136.6/14.9
R135	7030005240	S.RES ERJ2GEJ 473 X (47K)	T	105.8/74.2
R136	7030005050	S.RES ERJ2GEJ 103 X (10K)	B	140.2/14.9
R137	7030005050	S.RES ERJ2GEJ 103 X (10K)	B	139.3/14.9
R138	7030005070	S.RES ERJ2GEJ 683 X (68K)	T	98.7/70.4
R140	7030005290	S.RES ERJ2GEJ 682 X (6.8K)	T	46.3/53.9
R141	7030005290	S.RES ERJ2GEJ 682 X (6.8K)	T	49.9/52.3
R142	7030010040	S.RES ERJ2GEJ-JPW	T	47.2/53.9
R143	7030005290	S.RES ERJ2GEJ 682 X (6.8K)	T	53.8/53.9
R144	7030005290	S.RES ERJ2GEJ 682 X (6.8K)	T	57.4/52.3
R145	7030010040	S.RES ERJ2GEJ-JPW	T	54.7/53.9
R146	7030006020	S.RES RR0510P-682-D (6.8K)	T	61.4/53.8
R147	7030005290	S.RES ERJ2GEJ 682 X (6.8K)	T	65/53.8
R148	7030009320	S.RES ERJ2GEJ 4R7 X (4.7)	T	62.3/53.8
R149	7030005110	S.RES ERJ2GEJ 224 X (220K)	B	64.3/53.9
R150	7030008290	S.RES ERJ2GEJ 183 X (18K)	B	62.7/55.7
R151	7030005220	S.RES ERJ2GEJ 223 X (22K)	B	62.7/56.6
R152	7030005090	S.RES ERJ2GEJ 104 X (100K)	B	64.3/55.7
R153	7030005530	S.RES ERJ2GEJ 100 X (10)	B	37.7/46.3
R154	7030005070	S.RES ERJ2GEJ 683 X (68K)	B	37.7/48
R155	7030005000	S.RES ERJ2GEJ 471 X (470)	B	33.3/46.3
R157	7030005090	S.RES ERJ2GEJ 104 X (100K)	B	32.2/27.7
R158	7030008300	S.RES ERJ2GEJ 184 X (180K)	B	118/53.3
R159	7030005720	S.RES ERJ2GEJ 563 X (56K)	B	118.9/53.3
R160	7030005070	S.RES ERJ2GEJ 683 X (68K)	T	101.2/73.9
R161	7030005220	S.RES ERJ2GEJ 223 X (22K)	T	105.8/77.8
R162	7030005240	S.RES ERJ2GEJ 473 X (47K)	T	143.3/16.7
R163	7030007300	S.RES ERJ2GEJ 332 X (3.3K)	B	37.7/49.6
R164	7030005240	S.RES ERJ2GEJ 473 X (47K)	T	142.9/21.6
R165	7030005230	S.RES ERJ2GEJ 334 X (330K)	T	142.9/18.7
R166	7030005230	S.RES ERJ2GEJ 334 X (330K)	T	142.9/19.7
R167	7030005230	S.RES ERJ2GEJ 334 X (330K)	T	142.9/20.7
R168	7030009820	S.RES RR0510P-681-D (680)	T	48.3/58.5
R169	7030011170	S.RES RR0510P-471-D (470)	T	53.8/56.7
R170	7030005010	S.RES ERJ2GEJ 681 X (680)	T	64.7/60.2
R171	7030005310	S.RES ERJ2GEJ 124 X (120K)	T	53.4/60.4
R173	7030005530	S.RES ERJ2GEJ 100 X (10)	B	41.4/52.4

[MAIN UNIT]

REF NO.	PARTS NO.	DESCRIPTION	M.	H/V LOCATION
R174	7030004980	S.RES ERJ2GEJ 101 X (100)	B	31.1/48
R175	7030007250	S.RES ERJ2GEJ 220 X (22)	B	36.5/52.9
R178	7030005240	S.RES ERJ2GEJ 473 X (47K)	T	105.8/76
R179	7030005240	S.RES ERJ2GEJ 473 X (47K)	T	105.8/76.9
R180	7030005240	S.RES ERJ2GEJ 473 X (47K)	T	144.2/16.7
R181	7030005220	S.RES ERJ2GEJ 223 X (22K)	B	122.5/53.3
R182	7030010040	S.RES ERJ2GEJ-JPW	B	43.4/67.5
R183	7030005070	S.RES ERJ2GEJ 683 X (68K)	T	103/73.9
R185	7030005070	S.RES ERJ2GEJ 683 X (68K)	T	103.9/73.9
R186	7030005160	S.RES ERJ2GEJ 105 X (1M)	B	80.6/26.4
R187	7030005060	S.RES ERJ2GEJ 333 X (33K)	B	77/26.4
R188	7030005090	S.RES ERJ2GEJ 104 X (100K)	B	72.9/23.8
R190	7030007340	S.RES ERJ2GEJ 153 X (15K)	B	78.8/26.4
R191	7030004980	S.RES ERJ2GEJ 101 X (100)	T	53.4/62
R192	7030005120	S.RES ERJ2GEJ 102 X (1K)	T	55.9/66.3
R193	7030005050	S.RES ERJ2GEJ 103 X (10K)	B	56.9/60
R194	7030005110	S.RES ERJ2GEJ 224 X (220K)	T	55.9/65.3
R195	7030007260	S.RES ERJ2GEJ 330 X (33)	T	51.4/62
R196	7030005120	S.RES ERJ2GEJ 102 X (1K)	B	55.4/61.9
R197	7030005050	S.RES ERJ2GEJ 103 X (10K)	B	51.8/61.9
R198	7030010040	S.RES ERJ2GEJ-JPW	B	33/64.8
R202	7030005070	S.RES ERJ2GEJ 683 X (68K)	T	62/13.1
R203	7030007340	S.RES ERJ2GEJ 153 X (15K)	B	144.3/68.5
R204	7030007350	S.RES ERJ2GEJ 393 X (39K)	T	107.7/73.3
R205	7030005040	S.RES ERJ2GEJ 472 X (4.7K)	T	105.8/71.4
R206	7030007300	S.RES ERJ2GEJ 332 X (3.3K)	B	31.1/46.3
R209	7030005120	S.RES ERJ2GEJ 102 X (1K)	T	98.7/65.2
R210	7030005050	S.RES ERJ2GEJ 103 X (10K)	T	98.7/67.1
R211	7030004970	S.RES ERJ2GEJ 470 X (47)	T	73.8/43.7
R213	7030005070	S.RES ERJ2GEJ 683 X (68K)	T	48.4/64.4
R214	7030004980	S.RES ERJ2GEJ 101 X (100)	T	47.2/65.8
R217	7030004980	S.RES ERJ2GEJ 101 X (100)	T	50.1/65.3
R218	7030005050	S.RES ERJ2GEJ 103 X (10K)	B	16.1/68.3
R219	7030005050	S.RES ERJ2GEJ 103 X (10K)	B	12.8/63.9
R220	7030005050	S.RES ERJ2GEJ 103 X (10K)	B	21.9/68.5
R224	7030004980	S.RES ERJ2GEJ 101 X (100)	B	62.6/91.1
R238	7030005050	S.RES ERJ2GEJ 103 X (10K)	B	59.3/88.5
R239	7030004970	S.RES ERJ2GEJ 470 X (47)	B	60.2/87.6
R240	7030007350	S.RES ERJ2GEJ 393 X (39K)	B	67.3/96
R242	7030009530	S.RES ERJ2GEJ 270 X (27)	B	67.7/97.2
R243	7030005090	S.RES ERJ2GEJ 104 X (100K)	B	63/89.9
R245	7030005050	S.RES ERJ2GEJ 103 X (10K)	B	43.4/70.2
R246	7030005120	S.RES ERJ2GEJ 102 X (1K)	B	41.7/69.3
R247	7030005040	S.RES ERJ2GEJ 472 X (4.7K)	T	45.9/65.3
R252	7030005530	S.RES ERJ2GEJ 100 X (10)	B	7.7/61.9
R253	7030009320	S.RES ERJ2GEJ 4R7 X (4.7)	T	12.1/64.4
R254	7030005090	S.RES ERJ2GEJ 104 X (100K)	T	11.6/65.6
R255	7030004980	S.RES ERJ2GEJ 101 X (100)	T	13.4/66.6
R256	7030005050	S.RES ERJ2GEJ 103 X (10K)	T	10.3/66.6
R257	7030005120	S.RES ERJ2GEJ 102 X (1K)	B	10.1/62.1
R258	7030005710	S.RES ERJ2GEJ 121 X (120)	B	8/68.8
R259	7030005700	S.RES ERJ2GEJ 274 X (270K)	B	12.2/68.4
R279	7030005170	S.RES ERJ2GEJ 474 X (470K)	T	5.1/62.6
R281	7030004980	S.RES ERJ2GEJ 101 X (100)	T	61.2/102.5
R282	7030005050	S.RES ERJ2GEJ 103 X (10K)	B	10.6/73.1
R283	7030005050	S.RES ERJ2GEJ 103 X (10K)	B	10.6/74
R284	7030005050	S.RES ERJ2GEJ 103 X (10K)	B	9.4/72.7
R294	7030005050	S.RES ERJ2GEJ 103 X (10K)	T	64.4/102.1
R299	7030006070	S.RES ERJ12YJ101U (100)	B	37.8/95
R301	7030005040	S.RES ERJ2GEJ 472 X (4.7K)	T	55.6/83.4
R302	7030008010	S.RES ERJ2GEJ 123 X (12K)	T	57.4/85.6
R303	7030005050	S.RES ERJ2GEJ 103 X (10K)	B	36.2/88.4
R304	7030004980	S.RES ERJ2GEJ 101 X (100)	T	84.7/66.7
R305	7030010040	S.RES ERJ2GEJ-JPW	B	70.3/9.1
R306	7030005220	S.RES ERJ2GEJ 223 X (22K)	B	70.3/8.2
R307	7030005220	S.RES ERJ2GEJ 223 X (22K)	B	70.3/12.2
R308	7030005060	S.RES ERJ2GEJ 333 X (33K)	B	72/12.2
R309	7030005060	S.RES ERJ2GEJ 333 X (33K)	B	72/8.2
R310	7030005040	S.RES ERJ2GEJ 472 X (4.7K)	B	109.7/75.6
R311	7030005530	S.RES ERJ2GEJ 100 X (10)	T	105.6/94.5
R312	7030010040	S.RES ERJ2GEJ-JPW	B	70.3/11.3
R313	7030003320	S.RES ERJ3GEYJ 101 V (100)	B	10.9/84
R314	7030007340	S.RES ERJ2GEJ 153 X (15K)	B	11.9/80.8
R315	7030000220	S.RES MCR10EZHJ 47 (470)	B	3.4/88.7
R316	7030004980	S.RES ERJ2GEJ 101 X (100)	T	55.6/88.4
R317	7030005700	S.RES ERJ2GEJ 274 X (270K)	B	41.6/88.4
R318	7030004980	S.RES ERJ2GEJ 101 X (100)	T	50.4/87.1
R319	7030007060	S.RES ERJ2GEJ 684X (680K)	T	49.9/86
R320				

[MAIN UNIT]

REF NO.	PARTS NO.	DESCRIPTION	M.	H/V LOCATION
R350	7030005120	S.RES ERJ2GEJ 102 X (1K)	T	154.7/82.1
R351	7030003300	S.RES ERJ3GGEVJ 680 V (68)	T	143/77
R352	7030007300	S.RES ERJ2GEJ 332 X (3.3K)	T	142.6/71.5
R353	7030003300	S.RES ERJ3GGEVJ 680 V (68)	T	142.6/72.8
R354	7030010040	S.RES ERJ2GEJ-JPW	T	143.1/67.4
R355	7030005060	S.RES ERJ2GEJ 333 X (33K)	B	150.7/73.8
R356	7030008310	S.RES ERJ2GEJ 564 X (560K)	B	62.7/52.1
R357	7030005160	S.RES ERJ2GEJ 105 X (1M)	B	116.1/100.1
R359	7030000460	S.RES MCR10EZJH 4.7K (472)	B	118.8/74.3
R360	7030005090	S.RES ERJ2GEJ 104 X (100K)	T	146.9/7.3
R361	7030005600	S.RES ERJ2GEJ 273 X (27K)	T	148.5/6.4
R362	7030000620	S.RES MCR10EZJH 100 K (104)	T	6.6/106.2
R366	7030007300	S.RES ERJ2GEJ 332 X (3.3K)	T	142.6/78.7
R367	7030005040	S.RES ERJ2GEJ 472 X (4.7K)	T	154.2/91
R368	7030000020	S.RES MCR10EZJH 1 (010)	B	151.5/47.4
R369	7030000020	S.RES MCR10EZJH 1 (010)	B	151.4/57.9
R370	7030010040	S.RES ERJ2GEJ-JPW	T	65.6/102.9
R371	7030005050	S.RES ERJ2GEJ 103 X (10K)	B	137.2/104.6
R372	7030007601	S.RES ERA3YKD 913V (91K)	B	124/73
R373	7030005040	S.RES ERJ2GEJ 472 X (4.7K)	T	148.5/7.3
R374	7030006101	S.RES ERA3YED 183V (18K)	B	124/70.3
R375	7030005160	S.RES ERJ2GEJ 105 X (1M)	B	113.2/98.5
R376	7030005160	S.RES ERJ2GEJ 105 X (1M)	T	74.6/24.3
R377	7030005160	S.RES ERJ2GEJ 105 X (1M)	T	79.8/26.5
R378	7540000290	ABS ERZV10D220		
R380	7030005160	S.RES ERJ2GEJ 105 X (1M)	B	113.4/104.7
R381	7030008300	S.RES ERJ2GEJ 184 X (180K)	B	146.3/70.2
R382	7030007290	S.RES ERJ2GEJ 222 X (2.2K)	B	150.7/75.5
R383	7030005110	S.RES ERJ2GEJ 224 X (220K)	B	150.7/70.2
R384	7030005110	S.RES ERJ2GEJ 224 X (220K)	B	150.7/68.5
R385	7030005050	S.RES ERJ2GEJ 103 X (10K)	B	132.3/80.9
R386	7030005120	S.RES ERJ2GEJ 102 X (1K)	B	108.9/105.6
R387	7030005120	S.RES ERJ2GEJ 102 X (1K)	B	113.4/106.5
R388	7030005000	S.RES ERJ2GEJ 471 X (470)	B	136.5/77.4
R389	7030005090	S.RES ERJ2GEJ 104 X (100K)	T	131.5/13.5
R391	7030005090	S.RES ERJ2GEJ 104 X (100K)	T	154.2/90.1
R392	7030005050	S.RES ERJ2GEJ 103 X (10K)	T	149.9/104.1
R393	7030005120	S.RES ERJ2GEJ 102 X (1K)	T	106/105.5
R394	7030005120	S.RES ERJ2GEJ 102 X (1K)	T	136.5/106.8
R395	7030005050	S.RES ERJ2GEJ 103 X (10K)	B	107.5/98.7
R396	7030005050	S.RES ERJ2GEJ 103 X (10K)	B	120.1/100.2
R397	7030005050	S.RES ERJ2GEJ 103 X (10K)	B	120.1/101.2
R398	7030005050	S.RES ERJ2GEJ 103 X (10K)	T	119.2/101.3
R399	7030005050	S.RES ERJ2GEJ 103 X (10K)	T	117.7/101.3
R400	7030005120	S.RES ERJ2GEJ 102 X (1K)	T	120.5/105
R401	7030005120	S.RES ERJ2GEJ 102 X (1K)	B	128.3/106.2
R402	7030004980	S.RES ERJ2GEJ 101 X (100)	B	131.6/106.6
R403	7030004980	S.RES ERJ2GEJ 101 X (100)	B	135.6/106.6
R404	7030005120	S.RES ERJ2GEJ 102 X (1K)	T	102.7/92.1
R405	7030005120	S.RES ERJ2GEJ 102 X (1K)	T	102.7/91.1
R406	7030005120	S.RES ERJ2GEJ 102 X (1K)	T	97.6/91.1
R407	7030005120	S.RES ERJ2GEJ 102 X (1K)	T	97.6/92.1
R408	7030005050	S.RES ERJ2GEJ 103 X (10K)	T	115.5/101.5
R409	7030005050	S.RES ERJ2GEJ 103 X (10K)	B	118.5/101.4
R412	7030005050	S.RES ERJ2GEJ 103 X (10K)	B	104.8/99.5
R413	7030005120	S.RES ERJ2GEJ 102 X (1K)	T	39.4/69.4
R414	7030005120	S.RES ERJ2GEJ 102 X (1K)	T	39.4/67.7
R415	7030005120	S.RES ERJ2GEJ 102 X (1K)	T	78.8/45.4
R416	7030005120	S.RES ERJ2GEJ 102 X (1K)	T	79.8/45.4
R420	7030005090	S.RES ERJ2GEJ 104 X (100K)	T	99.3/92.1
R421	7030005090	S.RES ERJ2GEJ 104 X (100K)	T	99.3/91.1
R422	7030005090	S.RES ERJ2GEJ 104 X (100K)	T	101/91.1
R423	7030005090	S.RES ERJ2GEJ 104 X (100K)	T	101/92.1
R424	7030005090	S.RES ERJ2GEJ 104 X (100K)	T	153.7/82.1
R426	7030010040	S.RES ERJ2GEJ-JPW	T	26.7/10.9
R428	7030005030	S.RES ERJ2GEJ 152 X (1.5K)	B	73/50.4
R429	7030007570	S.RES ERJ2GEJ 122 X (1.2K)	B	77.9/51.7
R430	7030005290	S.RES ERJ2GEJ 682 X (6.8K)	B	79.8/50.9
R431	7030005220	S.RES ERJ2GEJ 223 X (22K)	B	72.9/55.1
R432	7030005830	S.RES RR0510P-223-D (22K)	B	81/47.1
R433	7030011000	S.RES RR0510P-392-D (3.9K)	B	80.1/47.1
R434	7030004980	S.RES ERJ2GEJ 101 X (100)	B	77/53.3
R435	7030005050	S.RES ERJ2GEJ 103 X (10K)	B	77/51.7
R438	7030010040	S.RES ERJ2GEJ-JPW	B	73/51.4
R440	7030005000	S.RES ERJ2GEJ 471 X (470)	B	133.5/47.5
R455	7030005100	S.RES ERJ2GEJ 154 X (150K)	B	146.3/72.1
R456	7030008300	S.RES ERJ2GEJ 184 X (180K)	B	147.3/75.5
R457	7030004980	S.RES ERJ2GEJ 101 X (100)	B	148.2/75.5
R458	7030008280	S.RES ERJ2GEJ 271 X (270)	B	145.3/72.1
R471	7030005220	S.RES ERJ2GEJ 223 X (22K)	T	84.3/40.5
R472	7030005220	S.RES ERJ2GEJ 223 X (22K)	T	86.3/42.2
R473	7030005220	S.RES ERJ2GEJ 223 X (22K)	T	86.3/40.5
R474	7030005050	S.RES ERJ2GEJ 103 X (10K)	T	87.9/38.8
R475	7030007300	S.RES ERJ2GEJ 332 X (3.3K)	T	85.3/38.8
R476	7030005090	S.RES ERJ2GEJ 104 X (100K)	T	90/40.5
R477	7030005070	S.RES ERJ2GEJ 683 X (68K)	T	91/40.5
R478	7030007570	S.RES ERJ2GEJ 122 X (1.2K)	T	90/42.2
R479	7030005050	S.RES ERJ2GEJ 103 X (10K)	T	88.9/38.8
R480	7030005040	S.RES ERJ2GEJ 472 X (4.7K)	T	91/38.8
R482	7030005090	S.RES ERJ2GEJ 104 X (100K)	B	112.2/98.5
R483	7030005120	S.RES ERJ2GEJ 102 X (1K)	T	71.4/16.8
R484	7030005120	S.RES ERJ2GEJ 102 X (1K)	T	73.1/17.9
R485	7030005120	S.RES ERJ2GEJ 102 X (1K)	T	74/10.4
R486	7030005240	S.RES ERJ2GEJ 473 X (47K)	B	111.8/75.6
R487	7030005120	S.RES ERJ2GEJ 102 X (1K)	B	111.2/105.6
R488	7030005120	S.RES ERJ2GEJ 102 X (1K)	B	120.5/106.5
R489	7030005120	S.RES ERJ2GEJ 102 X (1K)	B	116.8/105.6
R490	7030005120	S.RES ERJ2GEJ 102 X (1K)	B	115.1/106.5
R491	7030005090	S.RES ERJ2GEJ 104 X (100K)	T	131.5/16.7
R492	7030010040	S.RES ERJ2GEJ-JPW	B	60.6/29.9
R494	7030005050	S.RES ERJ2GEJ 103 X (10K)	B	134.2/5.7
R495	7030006610	S.RES ERJ2GEJ 394 X (390K)	B	134.2/10.4
R496	7030005290	S.RES ERJ2GEJ 682 X (6.8K)	B	132.6/9.5
R497	7030005050	S.RES ERJ2GEJ 103 X (10K)	B	133.3/5.7

[MAIN UNIT]

REF NO.	PARTS NO.	DESCRIPTION	M.	H/V LOCATION
R498	7030007290	S.RES ERJ2GEJ 222 X (2.2K)	B	136/5.7
R601	7030005090	S.RES ERJ2GEJ 104 X (100K)	B	103.9/53.3
R602	7030005090	S.RES ERJ2GEJ 104 X (100K)	B	101.2/36.1
R603	7030005050	S.RES ERJ2GEJ 103 X (10K)	B	103/53.3
R604	7030007290	S.RES ERJ2GEJ 222 X (2.2K)	T	103.5/59.8
R605	7030005050	S.RES ERJ2GEJ 103 X (10K)	T	125/46.2
R606	7030005040	S.RES ERJ2GEJ 472 X (4.7K)	B	101.2/48
R607	7030005530	S.RES ERJ2GEJ 100 X (10)	B	101.2/43.3
R608	7030005210	S.RES ERJ2GEJ 822 X (8.2K)	B	96.6/51.5
R609	7030005210	S.RES ERJ2GEJ 822 X (8.2K)	B	96.6/50.5
R610	7030005160	S.RES ERJ2GEJ 105 X (1M)	B	99/43.5
R611	7030005090	S.RES ERJ2GEJ 104 X (100K)	T	84.7/68
R612	7030005090	S.RES ERJ2GEJ 104 X (100K)	T	114.3/92.5
R613	7030005090	S.RES ERJ2GEJ 104 X (100K)	B	101.2/50.8
R614	7030005090	S.RES ERJ2GEJ 104 X (100K)	B	84.1/69.4
R615	7030005090	S.RES ERJ2GEJ 104 X (100K)	T	88.2/62.1
R616	7030005090	S.RES ERJ2GEJ 104 X (100K)	T	85.3/76
R618	7030005090	S.RES ERJ2GEJ 104 X (100K)	B	118.3/27.3
R620	7030005050	S.RES ERJ2GEJ 103 X (10K)	B	138.9/22.7
R621	7030005050	S.RES ERJ2GEJ 103 X (10K)	B	139.8/22.7
R624	7030005050	S.RES ERJ2GEJ 103 X (10K)	B	136.1/22.7
R625	7030005090	S.RES ERJ2GEJ 104 X (100K)	B	101.2/45.3
R626	7030005090	S.RES ERJ2GEJ 104 X (100K)	T	105.2/92.5
R628	7030005050	S.RES ERJ2GEJ 103 X (10K)	B	118/59.8
R630	7030005090	S.RES ERJ2GEJ 104 X (100K)	T	85.3/74.2
R631	7030005090	S.RES ERJ2GEJ 104 X (100K)	T	85.3/75.1
R632	7030005090	S.RES ERJ2GEJ 104 X (100K)	B	139.8/25.2
R634	7030005090	S.RES ERJ2GEJ 104 X (100K)	B	115.9/26
R637	7030005090	S.RES ERJ2GEJ 104 X (100K)	B	131.7/63.5
R638	7030005090	S.RES ERJ2GEJ 104 X (100K)	B	100.8/80.4
R642	7030005040	S.RES ERJ2GEJ 472 X (4.7K)	B	98.1/60.5
R644	7030005040	S.RES ERJ2GEJ 472 X (4.7K)	T	102.4/80.3
R651	7030005120	S.RES ERJ2GEJ 102 X (1K)	B	127.4/46.3
R652	7030005120	S.RES ERJ2GEJ 102 X (1K)	B	127.4/44.9
R653	7030005120	S.RES ERJ2GEJ 102 X (1K)	B	127.4/44
R654	7030005120	S.RES ERJ2GEJ 102 X (1K)	B	127.4/43.1
R656	7030005120	S.RES ERJ2GEJ 102 X (1K)	B	121.9/27.3
R657	7030005120	S.RES ERJ2GEJ 102 X (1K)	B	121.9/26.4
R660	7030005120	S.RES ERJ2GEJ 102 X (1K)	B	113.8/26
R661	7030005120	S.RES ERJ2GEJ 102 X (1K)	B	107.1/26.5
R662	7410001130	S.ARR EXB28V102JX	B	111/26.6
R663	7030005120	S.RES ERJ2GEJ 102 X (1K)	B	107.1/27.4
R665	7030005120	S.RES ERJ2GEJ 102 X (1K)	B	115.3/53.3
R666	7030005120	S.RES ERJ2GEJ 102 X (1K)	B	114.4/53.3
R667	7030005120	S.RES ERJ2GEJ 102 X (1K)	B	106.8/53.3
R668	7030005120	S.RES ERJ2GEJ 102 X (1K)	B	105.9/53.3
R669	7030005120	S.RES ERJ2GEJ 102 X (1K)	B	108.6/53.3
R670	7030005120	S.RES ERJ2GEJ 102 X (1K)	B	107.7/53.3
R671	7030005120	S.RES ERJ2GEJ 102 X (1K)	B	101.2/38.8
R672	7030004980	S.RES ERJ2GEJ 101 X (100)	B	101.2/49.8
R673	7030004980	S.RES ERJ2GEJ 101 X (100)	B	101.2/48.9
R674	7030005120	S.RES ERJ2GEJ 102 X (1K)	B	101.2/47.1
R675	7030005120	S.RES ERJ2GEJ 102 X (1K)	B	101.2/46.2
R676	7030005120	S.RES ERJ2GEJ 102 X (1K)	B	101.2/44.4
R677	7030005120	S.RES ERJ2GEJ 102 X (1K)	B	101.2/41.5
R678	7030005120	S.RES ERJ2GEJ 102 X (1K)	B	101.2/40.6
R679	7030005120	S.RES ERJ2GEJ 102 X (1K)	B	101.2/37.9
R680	7030005120	S.RES ERJ2GEJ 102 X (1K)	B	101.2/37
R681	7030005120	S.RES ERJ2GEJ 102 X (1K)	B	101.2/35.2
R683	7030005090	S.RES ERJ2GEJ 104 X (100K)	T	99.1/38.7
R684	7030005090	S.RES ERJ2GEJ 104 X (100K)	T	98.2/38.7
R685	7030005090	S.RES ERJ2GEJ 104 X (100K)	B	54.1/23.9
R686	7030005090	S.RES ERJ2GEJ 104 X (100K)	T	99/46
R687	7030005090	S.RES ERJ2GEJ 104 X (100K)	T	99/46.9
R688	7030005090	S.RES ERJ2GEJ 104 X (100K)	T	78.8/12.2
R693	7030005090	S.RES ERJ2GEJ 104 X (100K)	B	101.2/34.1
R694	7030010040	S.RES ERJ2GEJ-JPW	T	127.4/27.1
R695	7030010040	S.RES ERJ2GEJ-JPW	T	127.4/26.2
R700	7030005090	S.RES ERJ2GEJ 104 X (100K)	B	118.3/26.4
R705	7030005090	S.RES ERJ2GEJ 104 X (100K)	T	80.9/95.5
R706	7030005090	S.RES ERJ2GEJ 104 X (100K)	T	90.9/88.7
R710	7030005090	S.RES ERJ2GEJ 104 X (100K)	T	82.7/77.3
R711	7030005720	S.RES ERJ2GEJ 563 X (56K)	T	79.1/17.9
R712	7030005090	S.RES ERJ2GEJ 104 X (100K)	T	80.7/17.9
R714	7030010040	S.RES ERJ2GEJ-JPW	B	121.9/24.6
R716	7030005090	S.RES ERJ2GEJ 104 X (100K)	B	115/26
R717	7030005090	S.RES ERJ2GEJ 104 X (100K)	T	9

[MAIN UNIT]

REF NO.	PARTS NO.	DESCRIPTION	M.	H/V LOCATION
R817	7030005240	S.RES ERJ2GEJ 473 X (47K)	B	106.8/20.2
R818	7030005240	S.RES ERJ2GEJ 473 X (47K)	B	106.8/17.7
R819	7030004970	S.RES ERJ2GEJ 470 X (47)	T	119.5/22.8
R820	7030005240	S.RES ERJ2GEJ 473 X (47K)	B	116.1/24.1
R822	7030005240	S.RES ERJ2GEJ 473 X (47K)	T	115.4/15.5
R824	7030005240	S.RES ERJ2GEJ 473 X (47K)	T	118.1/25.4
R825	7030005240	S.RES ERJ2GEJ 473 X (47K)	B	106.8/14.9
R826	7030005240	S.RES ERJ2GEJ 473 X (47K)	T	110.8/7.2
R827	7030005240	S.RES ERJ2GEJ 473 X (47K)	T	114.5/15.5
R828	7030005240	S.RES ERJ2GEJ 473 X (47K)	T	117.3/12.5
R830	7030005240	S.RES ERJ2GEJ 473 X (47K)	T	112/6.2
R831	7030005240	S.RES ERJ2GEJ 473 X (47K)	B	112.3/5.7
R832	7030005240	S.RES ERJ2GEJ 473 X (47K)	T	115.5/12.5
R833	7030005240	S.RES ERJ2GEJ 473 X (47K)	T	113.6/15.5
R834	7030005240	S.RES ERJ2GEJ 473 X (47K)	B	109.9/22.7
R835	7030005240	S.RES ERJ2GEJ 473 X (47K)	T	110.9/15.5
R836	7030005240	S.RES ERJ2GEJ 473 X (47K)	B	91/18.5
R837	7030005240	S.RES ERJ2GEJ 473 X (47K)	T	110/15.5
R838	7030005240	S.RES ERJ2GEJ 473 X (47K)	B	106.8/16.8
R839	7030005240	S.RES ERJ2GEJ 473 X (47K)	B	106.8/9.9
R840	7030004980	S.RES ERJ2GEJ 101 X (100)	B	91/12.7
R841	7030005120	S.RES ERJ2GEJ 102 X (1K)	B	88.6/12.7
R842	7030005000	S.RES ERJ2GEJ 471 X (470)	B	87.5/8
R843	7030005240	S.RES ERJ2GEJ 473 X (47K)	B	106.8/19.2
R844	7030005090	S.RES ERJ2GEJ 104 X (100K)	B	87.5/12.7
R845	7030010040	S.RES ERJ2GEJ-JPW	T	112.7/15.5
R846	7030010040	S.RES ERJ2GEJ-JPW	B	112.6/22.7
R847	7030004980	S.RES ERJ2GEJ 101 X (100)	B	97.6/22.2
R848	7030008400	S.RES ERJ2GEJ 182 X (1.8K)	B	87.5/22.2
R849	7030010040	S.RES ERJ2GEJ-JPW	B	128.6/22.4
R850	7030005040	S.RES ERJ2GEJ 472 X (4.7K)	B	96.5/20.4
R851	7030005050	S.RES ERJ2GEJ 103 X (10K)	B	88.6/24
R852	7030004980	S.RES ERJ2GEJ 101 X (100)	B	89.8/15
R853	7030009290	S.RES ERJ2GEJ 562 X (5.6K)	B	94.3/20.4
R854	7030005240	S.RES ERJ2GEJ 473 X (47K)	B	94.3/22.2
R855	7030005600	S.RES ERJ2GEJ 273 X (27K)	B	92.1/28.1
R856	7030005240	S.RES ERJ2GEJ 473 X (47K)	T	107.7/9.6
R857	7030005090	S.RES ERJ2GEJ 104 X (100K)	B	88.6/28.1
R858	7030005240	S.RES ERJ2GEJ 473 X (47K)	T	108.1/10.5
R859	7030005240	S.RES ERJ2GEJ 473 X (47K)	T	108.1/11.4
R860	7030005240	S.RES ERJ2GEJ 473 X (47K)	T	108.1/12.3
R861	7030005240	S.RES ERJ2GEJ 473 X (47K)	T	108.1/13.2
R862	7030005240	S.RES ERJ2GEJ 473 X (47K)	T	111.1/8.6
R863	7030005240	S.RES ERJ2GEJ 473 X (47K)	T	107.3/8.7
R864	7030004980	S.RES ERJ2GEJ 101 X (100)	B	87.5/25.8
R865	7030005070	S.RES ERJ2GEJ 683 X (68K)	B	92.1/22.2
R866	7030009710	S.RES ERJ2GEJ 203 X (20K)	B	93.2/22.2
R867	7030009710	S.RES ERJ2GEJ 203 X (20K)	B	94.3/28.1
R868	7030005170	S.RES ERJ2GEJ 474 X (470K)	B	144/42.6
R869	7030005240	S.RES ERJ2GEJ 473 X (47K)	B	142.7/42.1
R870	7030007350	S.RES ERJ2GEJ 393 X (39K)	B	144/41.6
R871	7030005210	S.RES ERJ2GEJ 822 X (8.2K)	T	44.3/12.2
R872	7030005210	S.RES ERJ2GEJ 822 X (8.2K)	T	44.3/11.2
R873	7030009710	S.RES ERJ2GEJ 203 X (20K)	B	96.5/28.1
R874	7030004980	S.RES ERJ2GEJ 101 X (100)	B	87.5/18.5
R875	7030007250	S.RES ERJ2GEJ 220 X (22)	T	46.2/12.2
R876	7030004970	S.RES ERJ2GEJ 470 X (47)	T	44.3/16.1
R877	7030009290	S.RES ERJ2GEJ 562 X (5.6K)	T	47.4/20.2
R878	7030008400	S.RES ERJ2GEJ 182 X (1.8K)	T	44.3/17.1
R879	7030004980	S.RES ERJ2GEJ 101 X (100)	B	97.6/25.8
R880	7030005310	S.RES ERJ2GEJ 124 X (120K)	B	147.4/46.3
R881	7030004980	S.RES ERJ2GEJ 101 X (100)	T	42.6/17.1
R882	7030005030	S.RES ERJ2GEJ 152 X (1.5K)	T	46.2/23.3
R883	7030005120	S.RES ERJ2GEJ 102 X (1K)	B	147.4/47.3
R884	7030005290	S.RES ERJ2GEJ 682 X (6.8K)	T	46.2/14.1
R885	7030004980	S.RES ERJ2GEJ 101 X (100)	T	46.2/15.1
R886	7030005030	S.RES ERJ2GEJ 152 X (1.5K)	T	35.7/29
R889	7030005240	S.RES ERJ2GEJ 473 X (47K)	B	111.7/22.7
R890	7030005240	S.RES ERJ2GEJ 473 X (47K)	B	109/22.7
R891	7030005120	S.RES ERJ2GEJ 102 X (1K)	T	96.6/10
R892	7030005120	S.RES ERJ2GEJ 102 X (1K)	T	97.6/10
R893	7030005120	S.RES ERJ2GEJ 102 X (1K)	T	98.6/10
R894	7030005120	S.RES ERJ2GEJ 102 X (1K)	B	99.3/7
R895	7030005120	S.RES ERJ2GEJ 102 X (1K)	T	44/6.3
R896	7030005120	S.RES ERJ2GEJ 102 X (1K)	T	44.9/6.3
R897	7030005120	S.RES ERJ2GEJ 102 X (1K)	T	45.8/6.3
R898	7030010040	S.RES ERJ2GEJ-JPW	T	123.1/6.5
R900	7030005120	S.RES ERJ2GEJ 102 X (1K)	T	107.1/18.1
R901	7030005120	S.RES ERJ2GEJ 102 X (1K)	T	108.3/7.7
R902	7030005120	S.RES ERJ2GEJ 102 X (1K)	T	128.9/32.1
R903	7030005120	S.RES ERJ2GEJ 102 X (1K)	T	128.9/30.3
R905	7030005240	S.RES ERJ2GEJ 473 X (47K)	T	122.4/23.8
R906	7030005530	S.RES ERJ2GEJ 100 X (10)	T	66.2/52.5
R907	7030005050	S.RES ERJ2GEJ 103 X (10K)	B	19.6/68.5
R908	7030005060	S.RES ERJ2GEJ 333 X (33K)	B	140.5/53.2
R909	7030008310	S.RES ERJ2GEJ 564 X (560K)	B	138.6/55.6
R910	7030005090	S.RES ERJ2GEJ 104 X (100K)	B	137.8/50
R912	7030005530	S.RES ERJ2GEJ 100 X (10)	B	133.3/43.3
R913	7030005040	S.RES ERJ2GEJ 472 X (4.7K)	B	74.7/59.6
R914	7030005120	S.RES ERJ2GEJ 102 X (1K)	B	100.3/16.8
R915	7030005120	S.RES ERJ2GEJ 102 X (1K)	B	100.3/18.1
R916	7030005120	S.RES ERJ2GEJ 102 X (1K)	B	100.3/19.2
R917	7030005120	S.RES ERJ2GEJ 102 X (1K)	B	100.3/11.8
R918	7030005120	S.RES ERJ2GEJ 102 X (1K)	B	106.8/8.1
R919	7030005120	S.RES ERJ2GEJ 102 X (1K)	T	85.9/7.9
R920	7030010040	S.RES ERJ2GEJ-JPW	T	106/14.8
R923	7030010040	S.RES ERJ2GEJ-JPW	B	41.3/67.5
R925	7030010040	S.RES ERJ2GEJ-JPW	T	125.2/37.5
R926	7030010040	S.RES ERJ2GEJ-JPW	T	111.9/30
R927	7030005060	S.RES ERJ2GEJ 333 X (33K)	B	77.8/27.6
R929	7520000300	S.POS PRF18BG471QB5RB	T	101.3/57.8
C4	4030016930	S.CER ECJ0EB1A104K	T	82.6/62.6

[MAIN UNIT]

REF NO.	PARTS NO.	DESCRIPTION	M.	H/V LOCATION
C5	4030017420	S.CER ECJ0EC1H470J	T	81.3/63.5
C6	4030017420	S.CER ECJ0EC1H470J	T	80.9/64.5
C10	4030017460	S.CER ECJ0EB1E102K	T	56.5/31.5
C11	4550003220	S.TAN TEESVA 1E 105M8R	T	61.2/33.3
C12	4030016930	S.CER ECJ0EB1A104K	B	64.5/27
C13	4550003220	S.TAN TEESVA 1E 105M8R	T	61.2/31.2
C14	4030017420	S.CER ECJ0EC1H470J	T	50.9/28
C15	4030017420	S.CER ECJ0EC1H470J	T	50.9/23.4
C16	4030017420	S.CER ECJ0EC1H470J	T	50.9/27.1
C17	4030017420	S.CER ECJ0EC1H470J	T	50.9/22.4
C18	4030017420	S.CER ECJ0EC1H470J	T	50.9/26.2
C19	4030018860	S.CER ECJ0EB0J105K	B	64.5/26
C20	4030017420	S.CER ECJ0EC1H470J	T	50.9/25.3
C21	4030016970	S.CER ECJ0EB1C223K	T	60.1/19
C23	4030016930	S.CER ECJ0EB1A104K	T	58.8/13.1
C24	4030017420	S.CER ECJ0EC1H470J	B	58.9/27
C25	4030017420	S.CER ECJ0EC1H470J	T	63.7/12.2
C26	4030016930	S.CER ECJ0EB1A104K	B	60.6/28
C27	4030017760	S.CER ECJ0EB1H222K	B	57.2/28
C30	4030017420	S.CER ECJ0EC1H470J	B	77.6/31.8
C31	4030016930	S.CER ECJ0EB1A104K	T	76.3/51.9
C32	4550007080	S.TAN TEESVA 1C 106M8R	T	76/49.4
C33	4030017420	S.CER ECJ0EC1H470J	T	79.3/63.5
C34	4030017620	S.CER ECJ0EC1H100C	T	80.7/51.3
C35	4030016930	S.CER ECJ0EB1A104K	B	78.7/40.2
C36	4030017710	S.CER ECJ0EC1H181J	T	60.6/22.2
C37	4030017460	S.CER ECJ0EB1E102K	T	53.5/17.2
C38	4030017030	S.CER ECJ0EB1A273K	T	76.4/24.3
C39	4030018240	S.CER ECJ0EB1E562K	T	76.4/23.3
C40	4030018860	S.CER ECJ0EB0J105K	T	56.9/18.1
C41	4030017740	S.CER ECJ0EB1E821K	T	62/20.8
C42	4030016930	S.CER ECJ0EB1A104K	T	72.3/24.3
C43	4030016930	S.CER ECJ0EB1A104K	B	71.9/32.9
C44	4030016930	S.CER ECJ0EB1A104K	B	67.9/28.3
C45	4030017690	S.CER ECJ0EC1H121J	B	65.7/29.9
C46	4030016930	S.CER ECJ0EB1A104K	T	100.1/63.2
C47	4030016930	S.CER ECJ0EB1A104K	T	73.5/38.3
C48	4030017460	S.CER ECJ0EB1E102K	T	76.5/61
C50	4030017420	S.CER ECJ0EC1H470J	T	78.4/51.9
C51	4030017400	S.CER ECJ0EC1H220J	B	52.7/20
C52	4030017400	S.CER ECJ0EC1H220J	B	54.6/20
C53	4030016930	S.CER ECJ0EB1A104K	B	32.6/21.5
C54	4030017500	S.CER ECJ0EC1H560J	B	29.1/21.7
C55	4030017570	S.CER ECJ0EC1H040B	B	27.9/22.2
C56	4030017590	S.CER ECJ0EC1H070C	B	26.7/21.6
C57	4030016930	S.CER ECJ0EB1A104K	T	109/65.3
C58	4030016930	S.CER ECJ0EB1A104K	T	105.8/65.3
C59	4030016930	S.CER ECJ0EB1A104K	T	84.3/35.1
C60	4030016930	S.CER ECJ0EB1A104K	T	73.5/35.6
C61	4030016930	S.CER ECJ0EB1A104K	T	62.8/8.7
C62	4030017660	S.CER ECJ0EC1H330J	B	61.2/7.6
C63	4030017660	S.CER ECJ0EC1H330J	B	61.2/11.1
C64	4030016930	S.CER ECJ0EB1A104K	T	107.7/74.2
C65	4030017420	S.CER ECJ0EC1H470J	T	107.7/75.1
C66	4030017460	S.CER ECJ0EB1E102K	T	103.1/63.2
C67	4030018860	S.CER ECJ0EB0J105K	T	104.1/63.2
C68	4030017420	S.CER ECJ0EC1H470J	T	105.8/67.1
C69	4030017910	S.CER ECJ0EB1H152K	T	105.8/68
C70	4030017460	S.CER ECJ0EB1E102K	B	88.2/47.8
C71	4030017620	S.CER ECJ0EC1H100C	B	88.2/50.1
C72	4030016930	S.CER ECJ0EB1A104K	B	90/46.2
C73	4030017430	S.CER ECJ0EC1H101J	B	82/52
C74	4030016930	S.CER ECJ0EB1A104K	T	63.7/21.7
C75	4030017460	S.CER ECJ0EB1E102K	B	70.6/59.5
C77	4030017460	S.CER ECJ0EB1E102K	T	68.5/28.4
C78	4030017460	S.CER ECJ0EB1E102K	T	70.4/26.7
C79	4030016930	S.CER ECJ0EB1A104K	T	105.8/72.4
C80	4030017420	S.CER ECJ0EC1H470J	T	99.4/73.9
C81	4030017760	S.CER ECJ0EB1H222K	T	100.3/73.9
C82	4030017460	S.CER ECJ0EB1E102K	T	105.9/31.6
C83	4030017460	S.CER ECJ0EB1E102K	B	81.9/48.7
C84	4030017460	S.CER ECJ0EB1E102K	B	80.1/48.7
C85	4030017350	S.CER ECJ0EC1H020B	T	65.7/62.8
C87	4030017340	S.CER ECJ0EC1H010B	T	64.3/65
C88	4030017530	S.CER ECJ0EC1H0R5B	T	62.2/66.3
C89	4030017550	S.CER ECJ0EC1H1R5B	T	61.5/65
C91	4030017460	S.CER ECJ0EB1E102K	B	89.1/46.2
C92	4030017460	S.CER ECJ0EB1E102K	T	26/31.3
C93	4030017690	S.CER ECJ0EC1H121J	T	102.1/73.9
C94	4030016780	S.CER ECJ0EB1C153K	T	105.8/75.1
C95	4030016970	S.CER ECJ0EB1C103K	T	26/33
C96	4030016930	S.CER ECJ0EB1A104K	T	33.9/29
C97	4030016930	S.CER ECJ0EB1A104K	T	33.9/28.1
C98	4030016930	S.CER ECJ0EB1A104K	T	83.3/42.2
C99	4030016930	S.CER ECJ0EB1A104K	T	85.3/36.8
C100	4030017620			

[MAIN UNIT]

REF NO.	PARTS NO.	DESCRIPTION	M.	H/V LOCATION
C120	4030016790	S.CER ECJ0EB1C103K	T	21/35.1
C121	4030017350	S.CER ECJ0EC1H020B	T	23.1/36.3
C122	4030017640	S.CER ECJ0EC1H150J	T	28.4/41.5
C123	4550007080	S.TAN TEESVA 1C 106M8R	T	20.1/21.8
C124	4550000560	S.TAN TEESVA 1V 334M8R	B	66.9/47.3
C126	4030017350	S.CER ECJ0EC1H020B	T	32.3/36.3
C127	4030016930	S.CER ECJ0EB1A104K	B	143.3/66.8
C129	4030017460	S.CER ECJ0EB1E102K	T	21.7/23.9
C130	4030016930	S.CER ECJ0EB1A104K	T	26.8/17.9
C131	4030018080	S.CER ECJ0EB1H182K	T	28.8/17.9
C132	4030018080	S.CER ECJ0EB1H182K	T	29.8/17.9
C133	4030017580	S.CER ECJ0EC1H060C	T	48.2/45.1
C134	4030017640	S.CER ECJ0EC1H150J	T	47.7/43.9
C135	4030017370	S.CER ECJ0EC1H3R5B	T	55.9/45.2
C138	4030017660	S.CER ECJ0EC1H330J	T	63/43.9
C139	4030017570	S.CER ECJ0EC1H040B	T	55.4/43.9
C142	4030018860	S.CER ECJ0EB0J105K	B	62.7/53.9
C143	4030017380	S.CER ECJ0EC1H050B	T	63.5/45.2
C144	4030017350	S.CER ECJ0EC1H020B	T	36.4/44.7
C145	4030016790	S.CER ECJ0EB1C103K	B	36.6/43.4
C146	4030017350	S.CER ECJ0EC1H020B	T	27.5/44.7
C147	4030016790	S.CER ECJ0EB1C103K	B	27.9/43.4
C148	4030016790	S.CER ECJ0EB1C103K	B	34.2/24.4
C150	4030018910	S.CER C1608 JB 0J 475K-T	T	108.3/72.2
C152	4030016930	S.CER ECJ0EB1A104K	T	102.1/63.2
C153	4030017710	S.CER ECJ0EC1H181J	T	53.7/65.3
C154	4030017370	S.CER ECJ0EC1H3R5B	T	54.7/52.2
C155	4030016790	S.CER ECJ0EB1C103K	B	62.2/61.5
C156	4550006250	S.TAN TEESVA 1A 106M8R	B	64.9/60.8
C157	4030017420	S.CER ECJ0EC1H470J	T	24/28.1
C158	4030017430	S.CER ECJ0EC1H101J	T	98.7/68.8
C159	4030017460	S.CER ECJ0EB1E102K	T	135.3/6.5
C160	4030017460	S.CER ECJ0EB1E102K	B	70.3/6.6
C161	4030017630	S.CER ECJ0EC1H120J	T	47.2/52.3
C162	4030017580	S.CER ECJ0EC1H060C	T	47.6/50.7
C163	4030016790	S.CER ECJ0EB1C103K	T	22.4/28.6
C164	4030017630	S.CER ECJ0EC1H120J	T	48.1/52.3
C165	4030017610	S.CER ECJ0EC1H090C	T	49/52.3
C166	4030017600	S.CER ECJ0EC1H080C	T	55.2/50.7
C167	4030017460	S.CER ECJ0EB1E102K	T	24/27.2
C168	4030017600	S.CER ECJ0EC1H080C	T	55.6/52.2
C169	4030017580	S.CER ECJ0EC1H060C	T	56.5/52.2
C170	4030017340	S.CER ECJ0EC1H010B	T	65.3/51.6
C171	4030017550	S.CER ECJ0EC1H1R5B	T	62.7/50.7
C172	4030017390	S.CER ECJ0EC1H180J	T	63.2/53.8
C173	4030017630	S.CER ECJ0EC1H120J	T	64.1/53.8
C174	4030016790	S.CER ECJ0EB1C103K	B	32.2/46.3
C175	4030016790	S.CER ECJ0EB1C103K	B	34.9/52.9
C176	4030017350	S.CER ECJ0EC1H020B	T	29.6/58.1
C178	4030016790	S.CER ECJ0EB1C103K	B	34.2/27.7
C179	4030017460	S.CER ECJ0EB1E102K	B	72.2/24.8
C180	4550007080	S.TAN TEESVA 1C 106M8R	T	53.4/15.6
C181	4030017740	S.CER ECJ0EB1E821K	T	105.8/69.6
C182	4030017460	S.CER ECJ0EB1E102K	T	104.2/76.9
C183	4030017460	S.CER ECJ0EB1E102K	B	144.3/66.8
C184	4030017460	S.CER ECJ0EB1E102K	T	103/75.6
C185	4030016930	S.CER ECJ0EB1A104K	B	145.3/68.5
C186	4030016930	S.CER ECJ0EB1A104K	T	50.8/52.3
C187	4030017460	S.CER ECJ0EB1E102K	T	51.7/52.3
C188	4030016930	S.CER ECJ0EB1A104K	T	58.3/52.3
C189	4030017460	S.CER ECJ0EB1E102K	T	59.2/52.3
C190	4030017530	S.CER ECJ0EC1H0R5B	T	51.6/57.2
C191	4030016790	S.CER ECJ0EB1C103K	T	66.4/55.8
C192	4030017520	S.CER ECJ0EC1H0R3B	T	59.1/57.2
C193	4030017460	S.CER ECJ0EB1E102K	T	66.4/54.9
C194	4030017530	S.CER ECJ0EC1H0R5B	T	61.3/58.9
C195	4030017460	S.CER ECJ0EB1E102K	B	37.7/51.3
C196	4030016790	S.CER ECJ0EB1C103K	B	38.7/51.3
C197	4030017670	S.CER ECJ0EC1H390J	B	38.7/49.6
C198	4030016790	S.CER ECJ0EB1C103K	B	32.2/48
C199	4030017460	S.CER ECJ0EB1E102K	B	33.3/48
C200	4030017460	S.CER ECJ0EB1E102K	B	38.7/48
C203	4030017420	S.CER ECJ0EC1H470J	B	62.7/54.8
C204	4030017460	S.CER ECJ0EB1E102K	B	108.7/73.7
C205	4030018900	S.CER ECJ0EB0J474K	B	79.7/26.4
C206	4030016930	S.CER ECJ0EB1A104K	B	74.6/23.8
C207	4030017730	S.CER ECJ0EB1E471K	T	53.4/63.6
C208	4030017460	S.CER ECJ0EB1E102K	T	57.1/59.8
C209	4030017460	S.CER ECJ0EB1E102K	T	53.7/66.3
C210	4030017380	S.CER ECJ0EC1H050B	T	52.4/62
C211	4030017580	S.CER ECJ0EC1H060C	T	55.4/63.8
C212	4030017460	S.CER ECJ0EB1E102K	T	56.4/63.8
C213	4030017460	S.CER ECJ0EB1E102K	B	51.8/63.5
C214	4030017460	S.CER ECJ0EB1E102K	B	55.4/63.6
C215	4030017580	S.CER ECJ0EC1H060C	B	34.8/66.3
C216	4030017630	S.CER ECJ0EC1H120J	B	36.7/66.3
C217	4030017460	S.CER ECJ0EB1E102K	B	39.2/64.8
C218	4030017580	S.CER ECJ0EC1H060C	B	31.1/66.3
C219	4030017530	S.CER ECJ0EC1H0R5B	B	20.3/64.9
C220	4030017340	S.CER ECJ0EC1H010B	B	18.7/63.4
C221	4030017350	S.CER ECJ0EC1H020B	B	21.2/62.9
C222	4030017570	S.CER ECJ0EC1H040B	T	19.6/58.1
C223	4030017460	S.CER ECJ0EB1E102K	B	29.7/48
C225	4030018080	S.CER ECJ0EB1H182K	T	30.8/17.9
C226	4030017460	S.CER ECJ0EB1E102K	B	36/36.5
C227	4030017460	S.CER ECJ0EB1E102K	T	48.4/66.3
C228	4030017460	S.CER ECJ0EB1E102K	T	48.4/65.3
C229	4030017620	S.CER ECJ0EC1H100C	T	45.5/63.4
C232	4030017460	S.CER ECJ0EB1E102K	T	60.5/66.5
C233	4030017460	S.CER ECJ0EB1E102K	T	50.1/64.4
C236	4030017460	S.CER ECJ0EB1E102K	B	43.4/69.3
C239	4030017550	S.CER ECJ0EC1H1R5B	B	14.6/63.8
C247	4030017460	S.CER ECJ0EB1E102K	B	6.5/61.5
C256	4030017730	S.CER ECJ0EB1E471K	T	57.4/63.8

[MAIN UNIT]

REF NO.	PARTS NO.	DESCRIPTION	M.	H/V LOCATION
C266	4030017550	S.CER ECJ0EC1H1R5B	B	14.6/62.1
C270	4030017460	S.CER ECJ0EB1E102K	B	13.9/65
C272	4030017380	S.CER ECJ0EC1H050B	B	65.1/80.6
C273	4030017590	S.CER ECJ0EC1H070C	B	61.4/87.2
C281	4030016790	S.CER ECJ0EB1C103K	B	61.2/90.6
C282	4030017460	S.CER ECJ0EB1E102K	B	58.9/87.1
C284	4030017730	S.CER ECJ0EB1E471K	B	58/88
C285	4030017420	S.CER ECJ0EC1H470J	B	66.4/96.8
C287	4030017420	S.CER ECJ0EC1H470J	B	62.1/89.9
C288	4030017460	S.CER ECJ0EB1E102K	B	41.7/70.2
C289	4030017340	S.CER ECJ0EC1H010B	T	45.9/66.3
C292	4030016790	S.CER ECJ0EB1C103K	B	5.9/63.9
C293	4030017460	S.CER ECJ0EB1E102K	B	6.4/62.4
C294	4030017460	S.CER ECJ0EB1E102K	B	9.2/62.1
C295	4030017460	S.CER ECJ0EB1E102K	B	6.5/60.6
C296	4030016930	S.CER ECJ0EB1A104K	T	11.2/64.4
C297	4030016930	S.CER ECJ0EB1A104K	T	12.3/67.5
C298	4030017590	S.CER ECJ0EC1H070C	B	13.7/68.3
C299	4030016780	S.CER ECJ0EB1C153K	T	9.4/66.6
C300	4030017460	S.CER ECJ0EB1E102K	T	11.2/67.5
C301	4030017530	S.CER ECJ0EC1H0R5B	B	11/62.1
C302	4030017460	S.CER ECJ0EB1E102K	B	21.9/69.4
C303	4030017460	S.CER ECJ0EB1E102K	B	8/66.8
C304	4030017420	S.CER ECJ0EC1H470J	B	8/67.9
C306	4030016930	S.CER ECJ0EB1A104K	B	144.2/26.7
C307	4030016930	S.CER ECJ0EB1A104K	B	133.8/14.9
C308	4030016930	S.CER ECJ0EB1A104K	B	143.7/15.2
C309	4030017420	S.CER ECJ0EC1H470J	B	118.9/106.5
C310	4030018860	S.CER ECJ0EB0J105K	T	75.5/43.7
C313	4030017460	S.CER ECJ0EB1E102K	B	131.7/95.7
C321	4030017370	S.CER ECJ0EC1H3R5B	B	72.2/95.2
C322	4030017460	S.CER ECJ0EB1E102K	B	68.2/96
C323	4030017550	S.CER ECJ0EC1H1R5B	B	73.3/97.5
C324	4030017420	S.CER ECJ0EC1H470J	B	69.1/96
C326	4030017580	S.CER ECJ0EC1H060C	T	75.1/98.6
C329	4030017730	S.CER ECJ0EB1E471K	T	72.2/103.6
C330	4030018860	S.CER ECJ0EB0J105K	T	4.1/62.6
C331	4030017560	S.CER ECJ0EC1H2R5B	B	15.1/74
C332	4030017420	S.CER ECJ0EC1H470J	T	57.7/102.5
C333	4510008530	S.ELE EEE1HA2R2SR	T	58.7/106.2
C334	4030017600	S.CER ECJ0EC1H080C	B	13.7/69.2
C336	4030017730	S.CER ECJ0EB1E471K	B	10.1/75.3
C337	4030011050	S.CER GRM31M3C2H3R0CY21L (GRM42-6 CJ)	T	19.2/85.6
C345	4030011060	S.CER GRM31M2C2H4R0CY21L (GRM42-6 CH)	T	28.6/106.2
C346	4030011040	S.CER GRM31M4C2H2R0CY21L (GRM42-6 CK)	T	26.7/103.6
C348	4030011040	S.CER GRM31M4C2H2R0CY21L (GRM42-6 CK)	T	26.7/100.8
C349	4030011020	S.CER GRM31M2C2H1R0CY21L (GRM42-6 CK)	T	28.5/98.2
C350	4550000560	S.TAN TEESVA 1V 334M8R	T	67/106.9
C351	4030017460	S.CER ECJ0EB1E102K	T	70.4/103.6
C352	4030017420	S.CER ECJ0EC1H470J	T	71.3/103.6
C353	4030017460	S.CER ECJ0EB1E102K	T	47/103.2
C354	4030017420	S.CER ECJ0EC1H470J	T	46/103.2
C355	4510009330	S.ELE EEEHA1E470WP	T	52.7/105.8
C356	4030017400	S.CER ECJ0EC1H220J	T	45/103.2
C357	4030017420	S.CER ECJ0EC1H470J	B	41.2/94.1
C359	4030017600	S.CER ECJ0EC1H080C	B	17.5/75.8
C360	4030017460	S.CER ECJ0EB1E102K	B	23.5/75.3
C361	4510009270	S.ELE EEEHB1C220UR	T	60.8/95
C362	4030017460	S.CER ECJ0EB1E102K	B	8.8/70.8
C363	4030017590	S.CER ECJ0EC1H070C	B	13.7/78.8
C364	4030017510	S.CER ECJ0EC1H680J	B	19.9/78.4
C365	4550003220	S.TAN TEESVA 1E 105M8R	T	105.2/97.9
C366	4550003220	S.TAN TEESVA 1E 105M8R	T	107.3/97.9
C367	4550003220	S.TAN TEESVA 1E 105M8R	T	95.3/97.9
C368	4550003220	S.TAN TEESVA 1E 105M8R	T	97.4/97.9
C369	4030016930	S.CER ECJ0EB1A104K	B	104.6/94.5
C370	4030017420	S.CER ECJ0EC1H470J	B	106.9/106.5
C371	4030017460	S.CER ECJ0EB1E102K	T	113/103.1
C372	4030018860	S.CER ECJ0EB0J105K	T	146.9/6.4
C373	4030011070	S.CER GRM31M2C2H5R0CY21L (GRM42-6 CH)	T	35/85.5
C374	4030017200	S.CER GRM31BR32102KY01L (GHM1030 R)	T	27.7/88.7
C375	4030011050	S.CER GRM31M3C2H3R0CY21L (GRM42-6 CJ)	T	21.8/90.3
C376	4030011050	S.CER GRM31M3C2H3R0CY21L (GRM42-6 CJ)	T	23.9/90.3
C377	4030017420	S.CER ECJ0EC1H470J	B	39/97.6
C378	4030017420	S.CER ECJ0EC1H470J	B	80.5/108.8
C379	4030017460	S.CER ECJ0EB1E102K	B	81.8/95.3
C380	4030017730	S.CER ECJ0EB1E471K	B	80.8/95.3
C382	4030017460	S.CER ECJ0EB1E102K	T	65.6/98.6
C383	4030017520	S.CER ECJ0EC1H0R3B	B	34.6/88.7
C384	4030017570	S.CER ECJ0EC1H040B	B	26.5/76.1
C385	4030017600	S.CER ECJ0EC1H080C	B	28.3/81.4
C388	4030011070	S.CER GRM31M2C2H5R0CY21L (GRM42-6 CH)	T	13.9/92.3
C389	4030011060	S.CER GRM31M2C2H4R0CY21L (GRM42-6 CH)	T	11.3/88.9

[MAIN UNIT]

REF NO.	PARTS NO.	DESCRIPTION	M.	H/V LOCATION
C400	4030018860	S.CER ECJ0EB0J105K	B	137.6/79.6
C401	4030006860	S.CER C1608 JB 1H 102K-T	B	10.9/86.6
C402	4030009530	S.CER C1608 CH 1H 030B-T	B	10.6/88.5
C403	4030017460	S.CER ECJ0EB1E102K	B	10.5/80.2
C404	4030017460	S.CER ECJ0EB1E102K	B	40.3/88.5
C405	4030017460	S.CER ECJ0EB1E102K	T	48.6/87.4
C406	4030016790	S.CER ECJ0EB1C103K	T	50.4/88.4
C407	4030017460	S.CER ECJ0EB1E102K	T	47.9/93.4
C408	4030016930	S.CER ECJ0EB1A104K	B	148.3/73.8
C409	4030016930	S.CER ECJ0EB1A104K	B	151.7/75.5
C410	4030018860	S.CER ECJ0EB0J105K	B	148.3/72.1
C411	4030017460	S.CER ECJ0EB1E102K	B	139.3/79.6
C412	4510009680	S.ELE EEEFK1E471P	T	144.1/87.7
C413	4030018900	S.CER ECJ0EB0J474K	B	148.4/78.3
C415	4030017460	S.CER ECJ0EB1E102K	T	113.9/106.3
C416	4030018860	S.CER ECJ0EB0J105K	B	115.1/105.6
C417	4030016930	S.CER ECJ0EB1A104K	B	111.2/103.8
C418	4030017460	S.CER ECJ0EB1E102K	B	137.2/105.6
C419	4030017420	S.CER ECJ0EC1H470J	B	62.7/51.2
C420	4030017420	S.CER ECJ0EC1H470J	B	83.6/6.1
C421	4030016930	S.CER ECJ0EB1A104K	B	34.2/23.3
C422	4030017420	S.CER ECJ0EC1H470J	B	72/9.1
C423	4030017420	S.CER ECJ0EC1H470J	B	66.4/5.3
C424	4030017420	S.CER ECJ0EC1H470J	B	72/11.3
C425	4030017460	S.CER ECJ0EB1E102K	T	154.2/85.6
C426	4030018860	S.CER ECJ0EB0J105K	T	79.8/25.5
C428	4030017710	S.CER ECJ0EC1H181J	B	145.3/70.2
C429	4550007080	S.TAN TEESVA 1C 106M8R	B	115.7/76.3
C431	4030006860	S.CER C1608 JB 1H 102K-T	B	9.3/102.6
C432	4030011070	S.CER GRM31M2C2H5R0CY21L (GRM42-6 CH)	T	15.8/104.3
C433	4030017460	S.CER ECJ0EB1E102K	T	3.9/101.7
C434	4030016970	S.CER ECJ0EB1C223K	T	55.6/86.5
C435	4030017460	S.CER ECJ0EB1E102K	T	57.4/86.5
C437	4030017460	S.CER ECJ0EB1E102K	T	48.5/85.6
C438	4030017780	S.CER ECJ0EB1E472K	T	52.1/81.6
C440	4510009250	S.ELE EEEFK1C471P	T	152.2/98.1
C441	4030016930	S.CER ECJ0EB1A104K	B	113.4/103.8
C442	4030017420	S.CER ECJ0EC1H470J	T	155.7/82.1
C443	4510009340	S.ELE EEEHA1C101WP	T	148.5/78.7
C444	4510009340	S.ELE EEEHA1C101WP	T	148.5/71.5
C445	4550006770	S.TAN TEESVD2 1C 476M-12R	B	148.7/62.3
C446	4030016930	S.CER ECJ0EB1A104K	B	151.7/72.1
C448	4030017460	S.CER ECJ0EB1E102K	B	151.7/73.8
C449	4550007080	S.TAN TEESVA 1C 106M8R	T	111/91.8
C450	4030016930	S.CER ECJ0EB1A104K	B	109.1/93.6
C451	4030016930	S.CER ECJ0EB1A104K	B	106.2/82.5
C452	4550007080	S.TAN TEESVA 1C 106M8R	T	107.3/92.6
C454	4030017460	S.CER ECJ0EB1E102K	B	139.3/75.2
C455	4030018860	S.CER ECJ0EB0J105K	B	133.8/55.8
C456	4030017460	S.CER ECJ0EB1E102K	B	152.7/24.3
C457	4030016790	S.CER ECJ0EB1C103K	B	128.1/76.5
C458	4550007080	S.TAN TEESVA 1C 106M8R	B	131.6/59.6
C459	4510009680	S.ELE EEEFK1E471P	T	121.9/76.4
C460	4030016930	S.CER ECJ0EB1A104K	B	129/57.2
C461	4030011050	S.CER GRM31M3C2H3R0CY21L (GRM42-6 CJ)	T	5.8/104.1
C463	4030017460	S.CER ECJ0EB1E102K	T	55.6/82.5
C464	4030017460	S.CER ECJ0EB1E102K	T	149.9/105
C465	4030017400	S.CER ECJ0EC1H220J	T	151.6/105
C466	4030017460	S.CER ECJ0EB1E102K	B	113.4/80.3
C467	4030017420	S.CER ECJ0EC1H470J	T	151.6/104.1
C468	4510008650	S.ELE EEEFK1C221P	T	136.1/53.1
C469	4030017460	S.CER ECJ0EB1E102K	T	140.7/71.9
C470	4510008650	S.ELE EEEFK1C221P	T	147.9/46.8
C471	4510005040	ELE 25 ME 1000 HC		
C472	4030005110	S.CER C2012 JB 1E 473K-T	B	151.5/54.4
C473	4030005110	S.CER C2012 JB 1E 473K-T	B	151.5/50.9
C474	4030017420	S.CER ECJ0EC1H470J	B	111.2/104.7
C475	4030017420	S.CER ECJ0EC1H470J	B	126.2/87.3
C476	4030017460	S.CER ECJ0EB1E102K	B	125.3/87.3
C477	4510009680	S.ELE EEEFK1E471P	T	128.3/87.2
C479	4030017460	S.CER ECJ0EB1E102K	T	151/61.2
C480	4030017460	S.CER ECJ0EB1E102K	T	151/65.9
C481	4550007080	S.TAN TEESVA 1C 106M8R	B	117.6/72.3
C482	4030016930	S.CER ECJ0EB1A104K	B	121.7/71.2
C484	4030009530	S.CER C1608 CH 1H 030B-T	B	24.9/22.1
C485	4030016930	S.CER ECJ0EB1A104K	T	24.9/8.8
C486	4030016930	S.CER ECJ0EB1A104K	T	27.2/7.2
C487	4030016930	S.CER ECJ0EB1A104K	T	25.9/17.9
C488	4030016790	S.CER ECJ0EB1C103K	B	119.8/82.4
C489	4550007890	S.TAN TEESVC 1V 106M12R	B	139.1/58.5
C491	4030016930	S.CER ECJ0EB1A104K	B	132.4/50
C492	4030016930	S.CER ECJ0EB1A104K	B	140.5/51.6
C493	4550007080	S.TAN TEESVA 1C 106M8R	B	138.1/48.2
C495	4030017420	S.CER ECJ0EC1H470J	B	104.6/106.5
C496	4030017420	S.CER ECJ0EC1H470J	B	137.2/106.6
C497	4030017420	S.CER ECJ0EC1H470J	B	133.2/106.6
C498	4030017420	S.CER ECJ0EC1H470J	T	106.9/107.4
C499	4030017420	S.CER ECJ0EC1H470J	B	129.3/106.2
C500	4030017420	S.CER ECJ0EC1H470J	T	138.1/106.8
C501	4030017420	S.CER ECJ0EC1H470J	B	122.3/106.5
C503	4030017420	S.CER ECJ0EC1H470J	T	105.1/107.4
C504	4030017420	S.CER ECJ0EC1H470J	B	113.4/105.6
C505	4030017420	S.CER ECJ0EC1H470J	B	130.3/106.2
C508	4030017420	S.CER ECJ0EC1H470J	B	108.9/106.5
C510	4030017420	S.CER ECJ0EC1H470J	B	102.8/106.5
C511	4030017420	S.CER ECJ0EC1H470J	B	150/57.9
C512	4030017420	S.CER ECJ0EC1H470J	T	135.5/106.8
C513	4030017420	S.CER ECJ0EC1H470J	B	150/47.4
C514	4030017460	S.CER ECJ0EB1E102K	T	74.8/16.8
C515	4030011600	S.CER C1608 JB 1E 104K-T	T	75.2/17.9
C516	4030017420	S.CER ECJ0EC1H470J	T	73.1/16.8
C517	4030017460	S.CER ECJ0EB1E102K	T	71.4/17.9

[MAIN UNIT]

REF NO.	PARTS NO.	DESCRIPTION	M.	H/V LOCATION
C518	4030017420	S.CER ECJ0EC1H470J	T	72.3/10.4
C519	4030017460	S.CER ECJ0EB1E102K	T	72.3/11.3
C520	4030017420	S.CER ECJ0EC1H470J	T	69.8/17.9
C521	4030017460	S.CER ECJ0EB1E102K	T	67.5/13.7
C522	4030019630	S.CER GRM31C2C1H104JA01L	B	74.7/46.7
C523	4030019630	S.CER GRM31C2C1H104JA01L	B	74.7/48.8
C525	4030017770	S.CER ECJ0EB1E332K	B	78.8/50.9
C526	4030016930	S.CER ECJ0EB1A104K	T	27.6/11.4
C539	4030017490	S.CER C1608 JB 1A 105K-T	B	149.3/76.1
C540	4030016930	S.CER ECJ0EB1A104K	B	143.3/72.1
C541	4030016940	S.CER ECJ0EB1A393K	T	85.3/42.2
C542	4030016930	S.CER ECJ0EB1A104K	T	85.3/40.5
C543	4030017790	S.CER ECJ0EB1E682K	T	86.3/38.8
C546	4030017580	S.CER ECJ0EC1H060C	T	75.1/102.4
C547	4030011020	S.CER GRM31M4C2H1R0CY21L (GRM42-6 CK)	T	30.1/102.2
C548	4030016930	S.CER ECJ0EB1A104K	T	24.9/10.9
C549	4030016970	S.CER ECJ0EB1C223K	T	90/38.8
C550	4030017460	S.CER ECJ0EB1E102K	B	128.1/80.9
C551	4030019270	S.CER C5750 JF 1E 476ZT	B	154.1/35.2
C552	4550006780	S.TAN TEESVB2 0J 476M8R	B	150.2/21.7
C553	4030017460	S.CER ECJ0EB1E102K	B	148.9/30.9
C554	4030017780	S.CER ECJ0EB1E472K	B	148.9/24.3
C555	4030018860	S.CER ECJ0EB0J105K	B	153.7/24.3
C556	4550006780	S.TAN TEESVB2 0J 476M8R	B	150.2/18.4
C564	4030017730	S.CER ECJ0EB1E471K	B	57.5/33.7
C565	4030017420	S.CER ECJ0EC1H470J	B	111.2/106.5
C566	4030017420	S.CER ECJ0EC1H470J	B	116.8/106.5
C567	4030017420	S.CER ECJ0EC1H470J	B	126.3/106.5
C568	4030016930	S.CER ECJ0EB1A104K	T	77.2/43.7
C570	4030016930	S.CER ECJ0EB1A104K	B	60.6/29
C572	4030016790	S.CER ECJ0EB1C103K	B	136.9/5.7
C573	4550007080	S.TAN TEESVA 1C 106M8R	B	140.8/5.8
C574	4030018860	S.CER ECJ0EB0J105K	B	132.2/7.7
C575	4030017430	S.CER ECJ0EC1H101J	B	134.2/9.5
C576	4030017460	S.CER ECJ0EB1E102K	B	135.1/5.7
C577	4030011070	S.CER GRM31M2C2H5R0CY21L (GRM42-6 CH)	T	16.6/92.3
C601	4030018860	S.CER ECJ0EB0J105K	B	98.7/48.5
C602	4030017700	S.CER ECJ0EC1H151J	B	96.6/49.6
C603	4030017350	S.CER ECJ0EC1H020B	B	96.6/48.5
C604	4030017630	S.CER ECJ0EC1H120J	B	101.2/42.4
C605	4030017400	S.CER ECJ0EC1H220J	B	98.4/51.5
C607	4030017030	S.CER ECJ0EB1A273K	T	126.8/41.8
C608	4030017460	S.CER ECJ0EB1E102K	B	125.1/70.3
C611	4030016930	S.CER ECJ0EB1A104K	B	134.8/14.9
C613	4030016930	S.CER ECJ0EB1A104K	B	137.5/14.9
C614	4030016930	S.CER ECJ0EB1A104K	B	135.2/22.7
C616	4030016930	S.CER ECJ0EB1A104K	B	138/22.7
C617	4030016930	S.CER ECJ0EB1A104K	T	94.3/67.2
C618	4030016930	S.CER ECJ0EB1A104K	T	115.9/92.5
C619	4550006780	S.TAN TEESVB2 0J 476M8R	T	120.7/51.4
C620	4030016930	S.CER ECJ0EB1A104K	T	87.7/66
C621	4030016930	S.CER ECJ0EB1A104K	B	101.2/31.5
C622	4030016930	S.CER ECJ0EB1A104K	B	119.9/27.3
C623	4030016930	S.CER ECJ0EB1A104K	B	124/37.1
C624	4030016930	S.CER ECJ0EB1A104K	B	105.7/56.5
C625	4030016930	S.CER ECJ0EB1A104K	B	109.7/64
C626	4030016930	S.CER ECJ0EB1A104K	T	125/41.8
C628	4030016930	S.CER ECJ0EB1A104K	T	108.4/42.7
C629	4030016930	S.CER ECJ0EB1A104K	T	110.7/30.2
C630	4030016930	S.CER ECJ0EB1A104K	T	105.7/46
C631	4030016930	S.CER ECJ0EB1A104K	B	101.2/39.7
C632	4030016930	S.CER ECJ0EB1A104K	T	81/12.2
C633	4030016930	S.CER ECJ0EB1A104K	B	131.7/61.6
C634	4030016930	S.CER ECJ0EB1A104K	B	110.6/55.4
C635	4030016930	S.CER ECJ0EB1A104K	T	122.5/48
C636	4030017460	S.CER ECJ0EB1E102K	B	127.9/61.4
C637	4030016930	S.CER ECJ0EB1A104K	T	125/47.1
C638	4030016930	S.CER ECJ0EB1A104K	T	118.5/49.4
C639	4030016930	S.CER ECJ0EB1A104K	B	111.4/52.7
C640	4030018860	S.CER ECJ0EB0J105K	T	108.4/41.7
C641	4030017460	S.CER ECJ0EB1E102K	T	110.7/31.1
C642	4030016930	S.CER ECJ0EB1A104K	B	111.7/53.6
C645	4030016930	S.CER ECJ0EB1A104K	B	113.1/55.2
C646	4030016930	S.CER ECJ0EB1A104K	B	110.6/54.5
C801	4030016790	S.CER ECJ0EB1C103K	T	112.7/24.5
C802	4030016930	S.CER ECJ0EB1A104K	T	117/21.9
C803	4030016790	S.CER ECJ0EB1C103K	T	112.7/23.5
C805	4030017380	S.CER ECJ0EC1H050B	T	112.7/28.1
C806	4030016930	S.CER ECJ0EB1A104K	T	112.7/25.4
C808	4030016930	S.CER ECJ0EB1A104K	T	118.1/27.2
C809	4030016930	S.CER ECJ0EB1A104K	T	121.3/22.8
C810	4030017430	S.CER ECJ0EC1H101J	T	118.1/26.3
C811	4030018910	S.CER C1608 JB 0J 475K-T	B	124/18.8
C812	4030016930	S.CER ECJ0EB1A104K		

[MAIN UNIT]

REF NO.	PARTS NO.	DESCRIPTION	M.	H/V LOCATION
C833	4030016790	S.CER ECJ0EB1C103K	B	145.3/33.4
C834	4030016930	S.CER ECJ0EB1A104K	B	89.8/28.1
C835	4550006780	S.TAN TEESVB2 0J 476M8R	B	144.4/31.2
C836	4030016930	S.CER ECJ0EB1A104K	B	143.4/33.4
C837	4030017420	S.CER ECJ0EC1H470J	B	87.5/16.7
C838	4550006780	S.TAN TEESVB2 0J 476M8R	B	144.4/35.6
C839	4030017450	S.CER ECJ0EB1E271K	B	93.2/28.1
C840	4550007080	S.TAN TEESVA 1C 106M8R	B	131.8/24.4
C841	4030016930	S.CER ECJ0EB1A104K	T	44.3/14.1
C842	4030017730	S.CER ECJ0EB1E471K	B	95.4/28.1
C843	4030017460	S.CER ECJ0EB1E102K	T	46.2/13.2
C844	4030016930	S.CER ECJ0EB1A104K	T	46.2/11.2
C845	4030017680	S.CER ECJ0EC1H820J	B	97.6/28.1
C846	4030016930	S.CER ECJ0EB1A104K	B	131/29.4
C847	4030017730	S.CER ECJ0EB1E471K	T	44.3/15.1
C848	4030018910	S.CER C1608 JB 0J 475K-T	T	47.3/8.9
C849	4030016930	S.CER ECJ0EB1A104K	T	47.4/21.3
C850	4030017590	S.CER ECJ0EC1H070C	T	44.3/18.2
C851	4030016930	S.CER ECJ0EB1A104K	T	42.6/18.2
C852	4030018860	S.CER ECJ0EB0J105K	B	132.6/29.4
C853	4030017770	S.CER ECJ0EB1E332K	B	147.4/48.3
C854	4030017460	S.CER ECJ0EB1E102K	B	132.6/30.3
C855	4030016930	S.CER ECJ0EB1A104K	T	46.2/16.1
C856	4030016930	S.CER ECJ0EB1A104K	T	44.3/23
C857	4550007080	S.TAN TEESVA 1C 106M8R	B	144.5/49.5
C858	4030018910	S.CER C1608 JB 0J 475K-T	T	46.7/18.2
C859	4030016930	S.CER ECJ0EB1A104K	B	143.4/51.1
C860	4030017460	S.CER ECJ0EB1E102K	B	132.6/34.8
C862	4030016930	S.CER ECJ0EB1A104K	B	131/30.3
C863	4030016930	S.CER ECJ0EB1A104K	B	100/23
C864	4030016930	S.CER ECJ0EB1A104K	B	124/22.2
C865	4030016930	S.CER ECJ0EB1A104K	T	111.9/10.8
C866	4030018910	S.CER C1608 JB 0J 475K-T	B	107/11.7
C867	4030016930	S.CER ECJ0EB1A104K	B	114.2/5.7
C868	4030018860	S.CER ECJ0EB0J105K	B	106.8/13.4
C869	4030018860	S.CER ECJ0EB0J105K	B	113.5/22.7
C870	4030016930	S.CER ECJ0EB1A104K	B	114.4/22.7
C871	4030016930	S.CER ECJ0EB1A104K	B	124/13.3
C872	4030017460	S.CER ECJ0EB1E102K	B	124/15.6
C873	4030017460	S.CER ECJ0EB1E102K	T	118.3/12.5
C874	4030016930	S.CER ECJ0EB1A104K	T	122.4/25.4
C875	4030016930	S.CER ECJ0EB1A104K	T	128.9/31.2
C876	4030017340	S.CER ECJ0EC1H010B	T	63.7/51.6
C877	4030017460	S.CER ECJ0EB1E102K	B	64.3/54.8
C878	4030017390	S.CER ECJ0EC1H180J	B	11.5/75.8
C879	4030017390	S.CER ECJ0EC1H180J	B	11.5/71.3
C880	4030017610	S.CER ECJ0EC1H090C	B	11.9/62.1
C881	4030017550	S.CER ECJ0EC1H1R5B	B	13.2/61.7
C882	4030017610	S.CER ECJ0EC1H090C	B	16.1/67.6
C883	4030017550	S.CER ECJ0EC1H1R5B	B	16.1/63.4
C884	4030017610	S.CER ECJ0EC1H090C	B	19.6/67.5
C886	4550007710	S.TAN TEESVB2 1A 476M8R	B	137.8/45.5
C887	4030017460	S.CER ECJ0EB1E102K	B	139.5/55.6
C888	4030017490	S.CER C1608 JB 1A 105K-T	T	6.9/69.1
C890	4030017420	S.CER ECJ0EC1H470J	B	7.9/70.8
C891	4030016930	S.CER ECJ0EB1A104K	B	131.7/43.3
C892	4550006470	S.TAN TEESVB2 1D 106M8R	B	78.3/57.7
C893	4030017460	S.CER ECJ0EB1E102K	B	74.8/55.9
C894	4030017420	S.CER ECJ0EC1H470J	B	106.8/9
C895	4030017420	S.CER ECJ0EC1H470J	T	106.6/7.7
C896	4030018860	S.CER ECJ0EB0J105K	T	128.7/20.3
C897	4030017420	S.CER ECJ0EC1H470J	T	113.8/5.4
C898	4030017420	S.CER ECJ0EC1H470J	T	105.5/22.7
C899	4030018860	S.CER ECJ0EB0J105K	T	106.9/12.7
C900	4030018860	S.CER ECJ0EB0J105K	T	140.4/29.4
C908	4030019120	S.CER GRM188B31E105KA75D	T	154/92.1
C909	4030016930	S.CER ECJ0EB1A104K	B	11.9/65.1
C911	4030016930	S.CER ECJ0EB1A104K	B	151.7/68.5
J1	6510024522	S.CON 12FLT-SM2-TB(LF)(SN)(M)	T	72.5/14
J2	6510026770	S.CON AXK540147YG	T	139.8/10.8
J5	6450000140	CON HSJ0807-01-010		
J6	6510014961	S.CON B2B-ZR-SM4-TF(LF)(SN)	T	148/63.6
J7	6510021301	S.CON 52365-1071	T	84.9/93.5
J8	2610000500	S.CON PB-614SS13-TF	T	106.7/55.6
J11	6510023210	CON CD6125SA1J0 <CVI>		
J602	6510023092	S.CON 20FLT-SM2-TB(LF)(SN)(M)	T	100/85.7
J801	6510026220	S.CON AXK5F14547YG	T	101.4/17.5
S1	2260003070	S.SWI MINISMDC150F/24-2	T	109.5/105.2
BT601	3020000340	LIT ML-614S/ZT		
W2	7120000470	JUM ERDS2T0		
W3	8900016250	CAB OPC-1701 <CMI>T/HI		
EP2	6910016330	S.BEA MMZ1005S 601CT-S	T	55/18.6
EP3	6910015600	S.BEA ACZ1005Y-241 (240)	T	58.9/29.5
EP4	6910016330	S.BEA MMZ1005S 601CT-S	B	60/56.6
EP5	6910016330	S.BEA MMZ1005S 601CT-S	B	88.2/46.2
EP7	6910010280	BEA HF70BB9.5X10.4X4.9		
EP8	6910010280	BEA HF70BB9.5X10.4X4.9		
EP10	6910016330	S.BEA MMZ1005S 601CT-S	B	133.8/56.8
EP11	6910016330	S.BEA MMZ1005S 601CT-S	T	67.5/15.3
EP12	6910016330	S.BEA MMZ1005S 601CT-S	T	69.8/16.8
EP13	6910011560	BEA HF70BB4.5X5X1.6		
EP14	6910011560	BEA HF70BB4.5X5X1.6		
EP15	6910018460	S.BEA MMZ1005Y102C-T	T	50.6/55.6
EP16	6910018460	S.BEA MMZ1005Y102C-T	T	58.1/55.6

[MAIN UNIT]

REF NO.	PARTS NO.	DESCRIPTION	M.	H/V LOCATION
EP601	6910016330	S.BEA MMZ1005S 601CT-S	T	109.1/30.2
EP801	6910016330	S.BEA MMZ1005S 601CT-S	B	88.6/18.5
EP802	6910016330	S.BEA MMZ1005S 601CT-S	B	145.6/51.1
EP803	6910016330	S.BEA MMZ1005S 601CT-S	B	128.6/21.5

M.=Mounted side (T: Mounted on the Top side, B: Mounted on the Bottom side)
S.=Surface mount

SECTION 8

MECHANICAL PARTS

[CHASSIS PARTS]

REF NO.	ORDER NO.	DESCRIPTION	QTY.
J1	6510004880	MR-DSE-01	1
MP1	8010019802	2781 CHASSIS-2	1
MP2	8110008271	2781 COVER-1	1
MP3	8810008661	SCREW BT B0 3X8 NI-ZC3 (BT)	12
MP4	8810008661	SCREW BT B0 3X8 NI-ZC3 (BT)	2
MP5	8810008661	SCREW BT B0 3X8 NI-ZC3 (BT)	2
MP6	8810009991	SCREW BT B0 3X8 NI-ZK3 (BT)	2
MP7	8810009991	SCREW BT B0 3X8 NI-ZK3 (BT)	4
MP8	8930064591	2781 D-SUB PLATE-1	1
MP9	8510016740	2781 FILTER CASE	1
MP10	8930048550	2177 CLIP	1
MP11	8930048520	2156 CLIP	1
MP12	8810009991	SCREW BT B0 3X8 NI-ZK3 (BT)	2

[FRONT-A UNIT] (For F9521S/F9523S)

REF NO.	ORDER NO.	DESCRIPTION	QTY.
J1*	6510024522	12FLT-SM2-TB (LF) (SN) (M)	1
J2	6450002210	3017-8821	1
J4*	6510022021	14FLT-SM2-TB (LF) (SN)	1
DS1	5030002811	L4-0013TVY-2	1
S9	2250000511	RH70N1037E20-13F-2781	1
SP1	2510001290	C062SB504-11	1
W1	8900013692	OPC-1425A-1	1
W2	8900013700	OPC-1426	1
EP1	8930065150	SRCN-2781-SP-N-W	2
MP1	8930064251	2781 ANGLE-1	1
MP2	8930064190	2781 FRONT KEY	1
MP3	8210021121	2781 FRONT PANEL-1 (Incl. MP8, 15, 17, 21)	1
MP4	8930064220	2781 KNOB RUBBER	1
MP5	8930064260	2781 LCD HOLDER	1
MP7	8210021190	2781 REFLECTOR	1
MP8	8310062430	2781 WINDOW PLATE	1
MP9	8610012160	KNOB N-324 (Incl. MP14)	1
MP10	8610012150	KNOB N-325 (Incl. MP13)	1
MP11	8810008661	SCREW BT B0 3X8 NI-ZC3 (BT)	3
MP12	8810008661	SCREW BT B0 3X8 NI-ZC3 (BT)	6
MP13	8610007420	KNOB SPRING NO.6601	1
MP14	8610009240	KNOB SPRING NO.7800P	1
MP15	8830001351	SONIC LOCK SL-M3-5.8-CD	1
MP16	8930051500	O-RING (AB)	1
MP17	8930064680	2781 SP NET	1
MP18	8830000031	VR NUT (C)-1	1
MP19	8930065250	2781 A-LENS	1
MP20	8930065240	2781 B-LENS	1
MP21	8930065370	INSULATION SHEET (HZ)	1
MP22	8930065970	2781 SPRING	1
MP23	8930066290	2781 SHEET	1

[FRONT-B UNIT] (For F9521T/F9523T)

REF NO.	ORDER NO.	DESCRIPTION	QTY.
J1*	6510024522	12FLT-SM2-TB (LF) (SN) (M)	1
J2	6450002210	3017-8821	1
J4*	6510022021	14FLT-SM2-TB (LF) (SN)	1
DS1	5030002811	L4-0013TVY-2	1
W1	8900013692	OPC-1425A-1	1
EP1	8930065150	SRCN-2781-SP-N-W	2
MP1	8930064371	2781 T-ANGLE-1	1
MP2	8930064190	2781 FRONT KEY	1
MP3	8210021230	2781 T-FRONT PANEL (Incl. MP8, 15, 17, 21)	1
MP4	8930064220	2781 KNOB RUBBER	1
MP5	8930064260	2781 LCD HOLDER	1
MP7	8210021190	2781 REFLECTOR	1
MP8	8310062430	2781 WINDOW PLATE	1
MP9	8610012160	KNOB N-324 (Incl. MP13)	1
MP12	8810008761	SCREW BT B0 2X8 NI-ZC3 (BT)	6
MP13	8610007420	KNOB SPRING NO.6601	1
MP15	8830001351	SONIC LOCK SL-M3-5.8-CD	1
MP19	8930065250	2781 A-LENS	1
MP20	8930065240	2781 B-LENS	1
MP21	8930065370	INSULATION SHEET (HZ)	1
MP22	8930065970	2781 SPRING	1
MP23	8930066290	2781 SHEET	1
MP31	8930064520	2781 UP/DOWN KEY	1
MP32	8930064380	2781 10-KEY	1
MP33	8930064890	2781 T-SHEET	1
MP34	8930065171	2781 LED SHEET-1	2
MP35	8930066280	2781 UP/DOWN SHEET	1

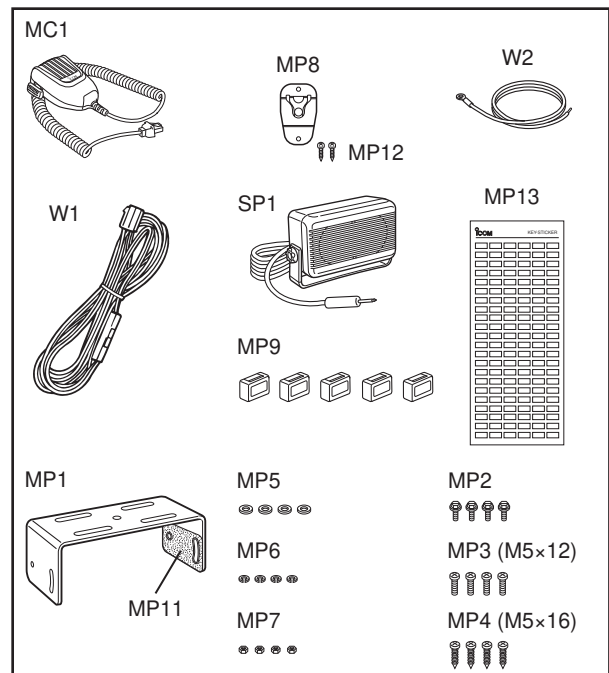
[MAIN UNIT]

REF NO.	ORDER NO.	DESCRIPTION	QTY.
J1*	6510024522	12FLT-SM2-TB (LF) (SN) (M)	1
J2*	6510026770	AXK540147YG	1
J5	6450000140	HSJ0807-01-010	1
J6*	6510014961	B2B-ZR-SM4-TF (LF) (SN)	1
J7*	6510021301	52365-1071	1
J8*	2610000500	PB-614SS13-TF	1
J11	6510023210	CD6125SA1J0	1
J602*	6510023092	20FLT-SM2-TB (LF) (SN) (M)	1
J801*	6510026220	AXK5F14547YG	1
S1*	2260003070	MINISMDC150F/24	1
BT601	3020000340	ML-614S/ZT	1
W2	7120000470	ERDS2T0	1
W3	8900016250	OPC-1701	1
EP7	6910010280	HF70BB9.5X10.4X4.9	1
EP8	6910010280	HF70BB9.5X10.4X4.9	1
EP13	6910011560	HF70BB4.5X5X1.6	1
EP14	6910011560	HF70BB4.5X5X1.6	1
MP1*	8510018070	2979 VCO CASE	1
MP2	8510018060	2979 VCO COVER	1
MP4	8510014890	2577 DBM CASE	1
MP5	8930065060	2781 M-PLATE	1
MP7	8930058840	SHIELD SPONGE (T)	1
MP8	8930058840	SHIELD SPONGE (T)	1
MP9	8930058840	SHIELD SPONGE (T)	1
MP10	8510018720	3056 A-SHIELD CASE	1
MP11	8510018730	3056 B-SHIELD CASE	1

[ACCESSORIES]

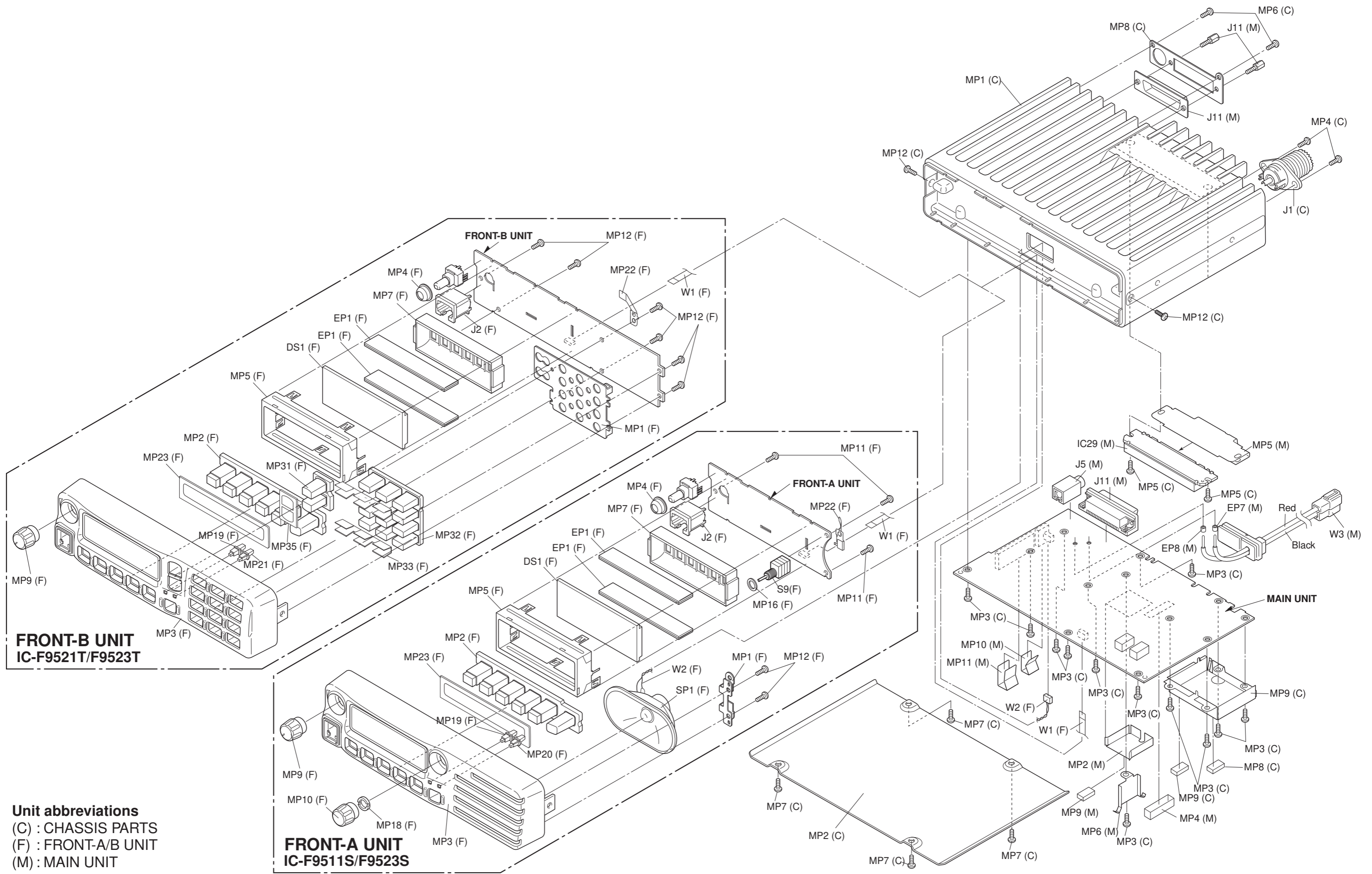
REF NO.	ORDER NO.	DESCRIPTION	QTY.
MC1	(optional)	HM-148G	1
SP1	(optional)	SP-22 [10-key version] only	1
W1	(optional)	OPC-1132A	1
MP1	8010019870	2781 MOBILE BRACKET (Incl. MP11)	1
MP2	8820000530	FLANGE BOLT M4X8 NI	4
MP3	8810000471	SCREW PH (+) M5X12 ZC3	4
MP4	8810000951	SCREW BT A0 5X16 ZC3	4
MP5	8850000150	FLAT WASHER M5 BS NI	4
MP6	8850000391	SPRING WASHER M5 ZC3	4
MP7	8830000121	NUT M5 ZC3	4
MP8	8930078920	2783 A-MIC HANGER	1
MP9	8930064670	2781 KEY CAP	5
MP11	8930059160	2601 FELT	2
MP12	8810010880	SCREW BT A0 4X16 SUS	2
MP13	8930077700	3056 KEY SHEET	1
MP14	8930078910	2783 A-HANGER SPRING	1

*: Refer to SECTION 9 "BOARD LAYOUTS" for the location.



Screw abbreviations

A, B0, BT: Self-tapping PH: Pan head ZK: Black NI-ZU: Nickel-Zinc SUS: Stainless

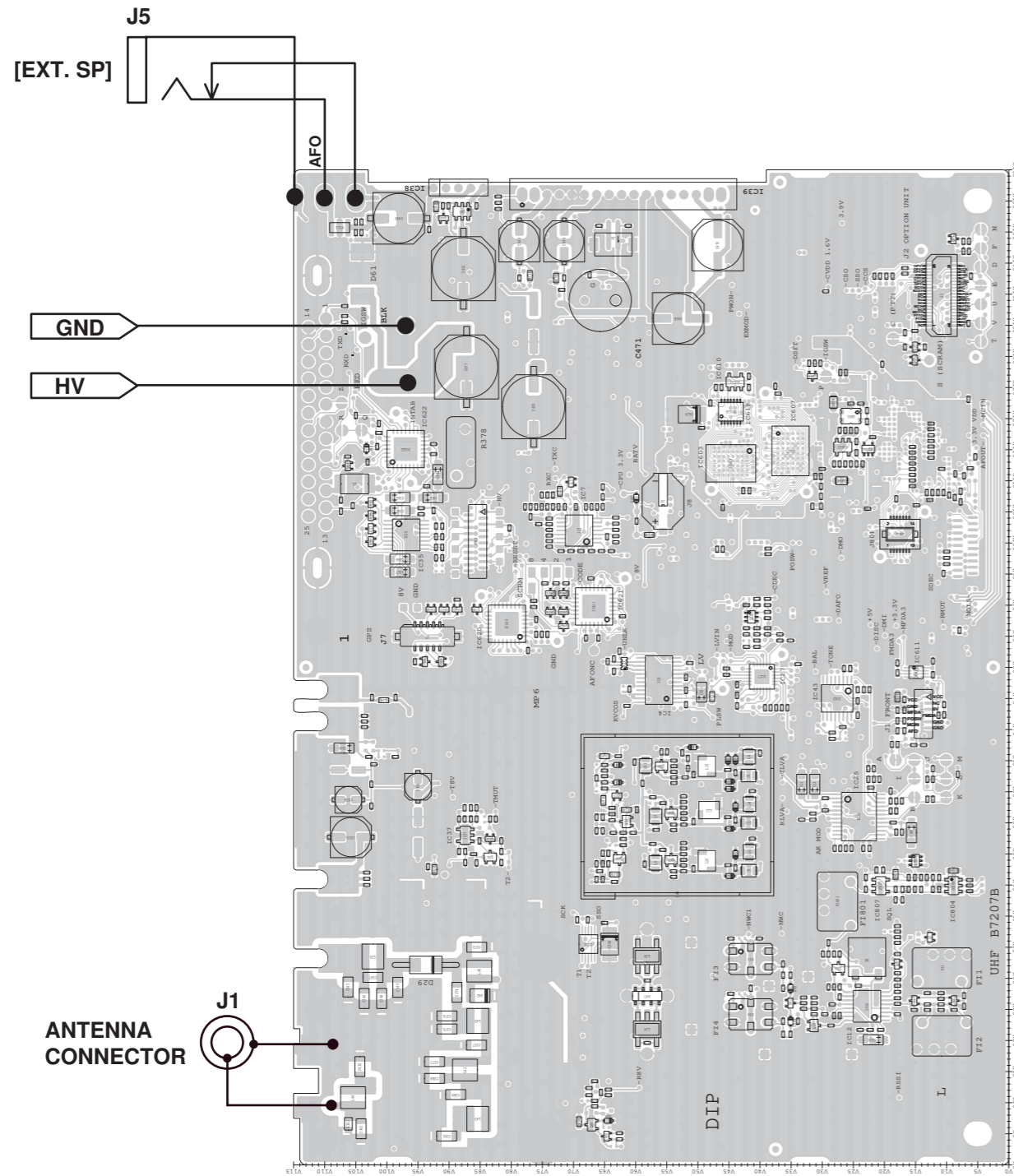


FRONT-B UNIT
IC-F9521T/F9523T

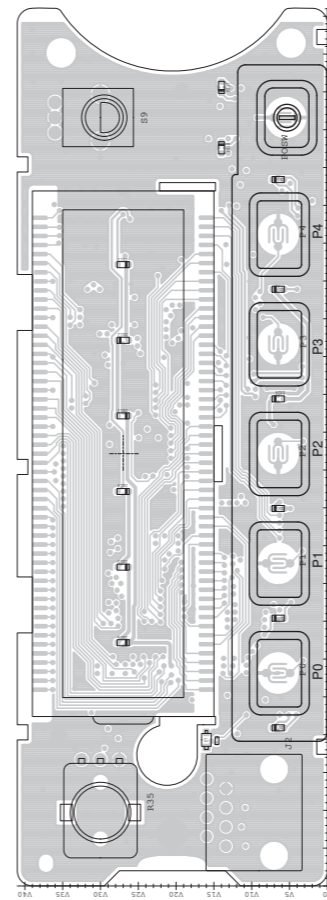
FRONT-A UNIT
IC-F9511S/F9523S

Unit abbreviations
 (C) : CHASSIS PARTS
 (F) : FRONT-A/B UNIT
 (M) : MAIN UNIT

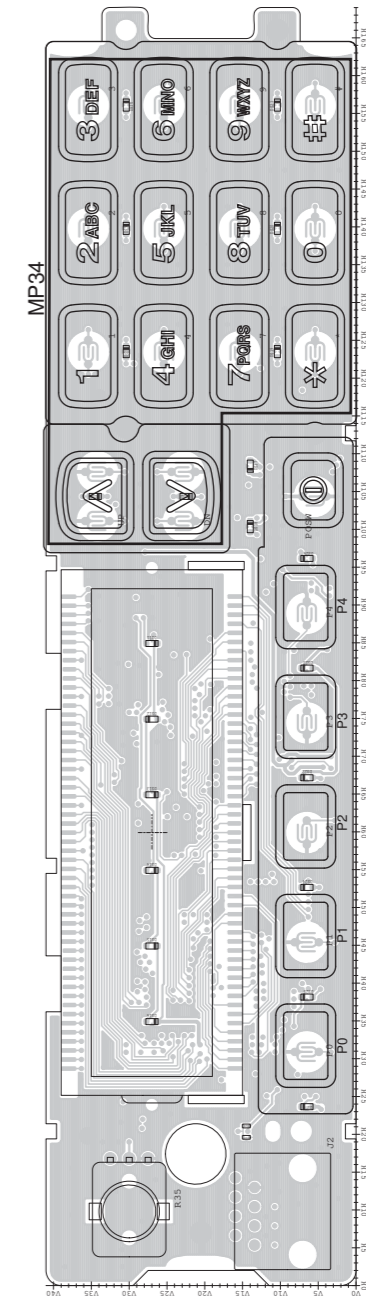
• MAIN UNIT
(TOP VIEW)



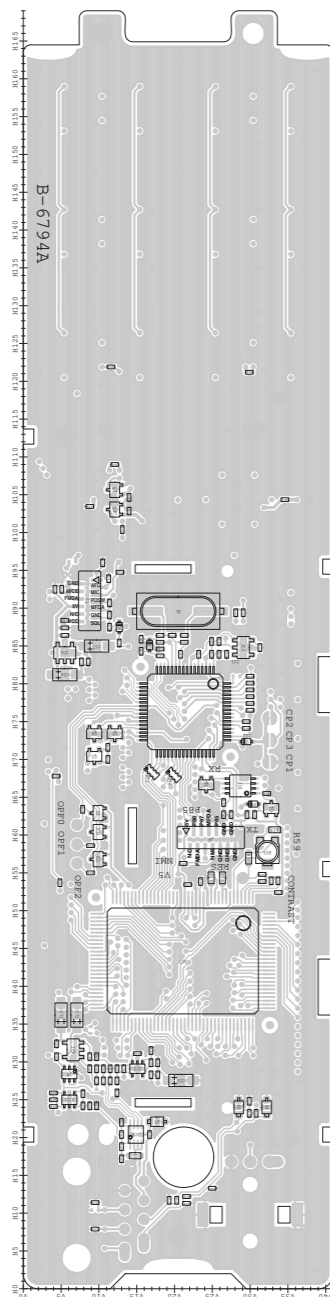
• FRONT-A UNIT (For F9521S, F9523S)
(TOP VIEW)



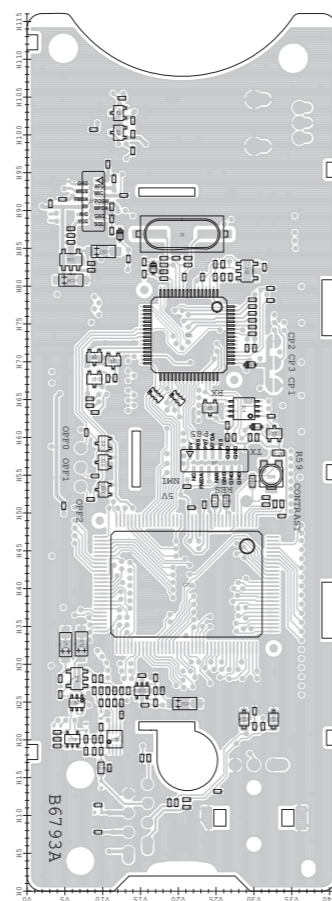
• FRONT-B UNIT (For F9521T, F9523T)
(TOP VIEW)



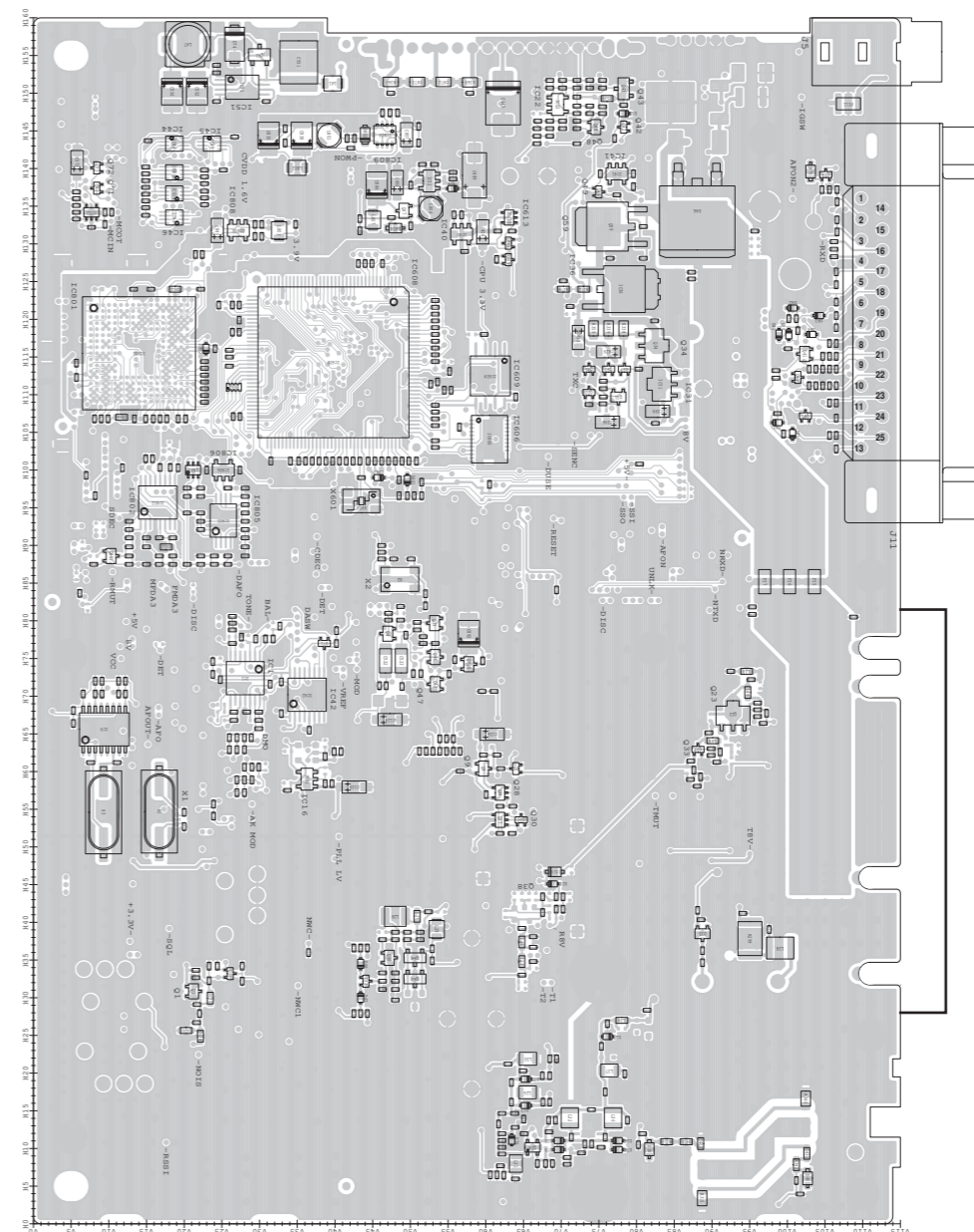
- FRONT-B UNIT (For F9521T, F9523T)
(BOTTOM VIEW)



- FRONT-A UNIT (For F9521S, F9523S)
(BOTTOM VIEW)

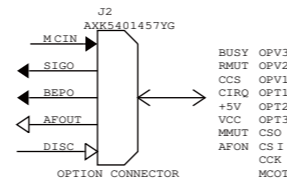
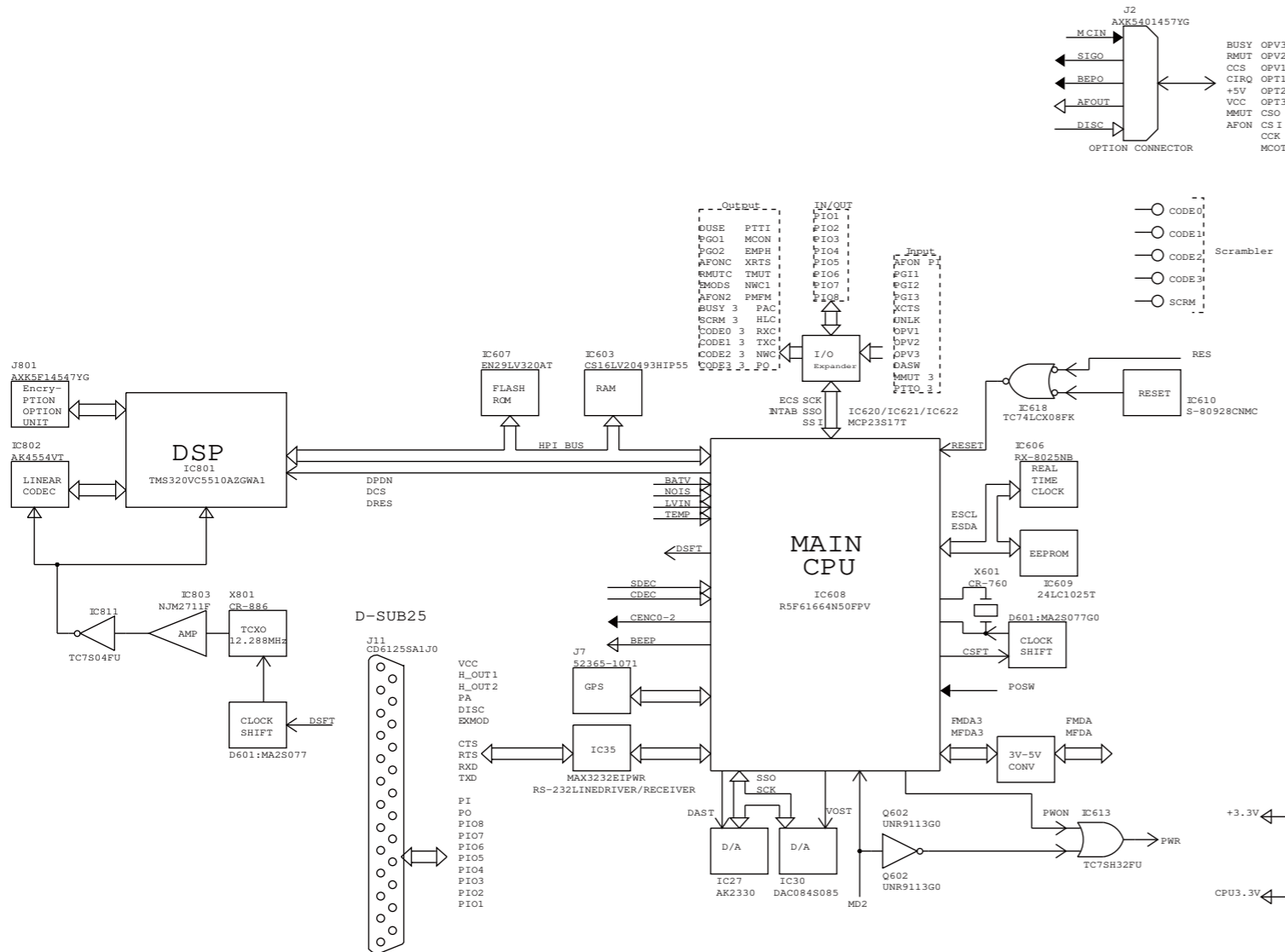


- MAIN UNIT
(BOTTOM VIEW)

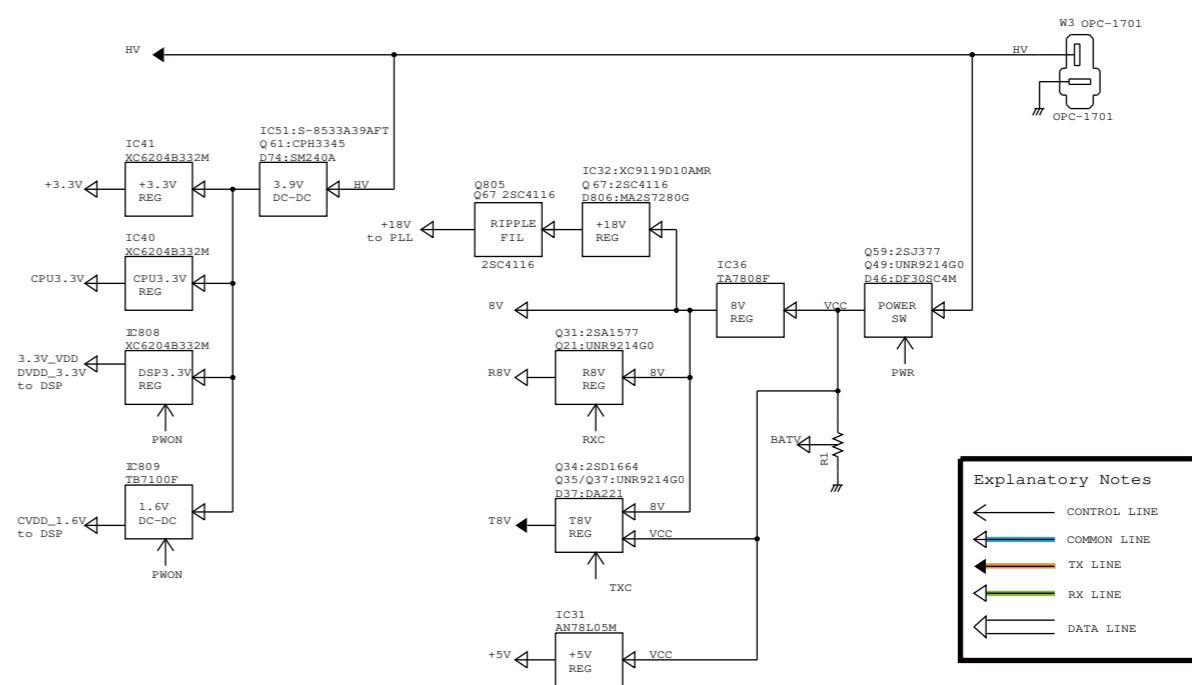
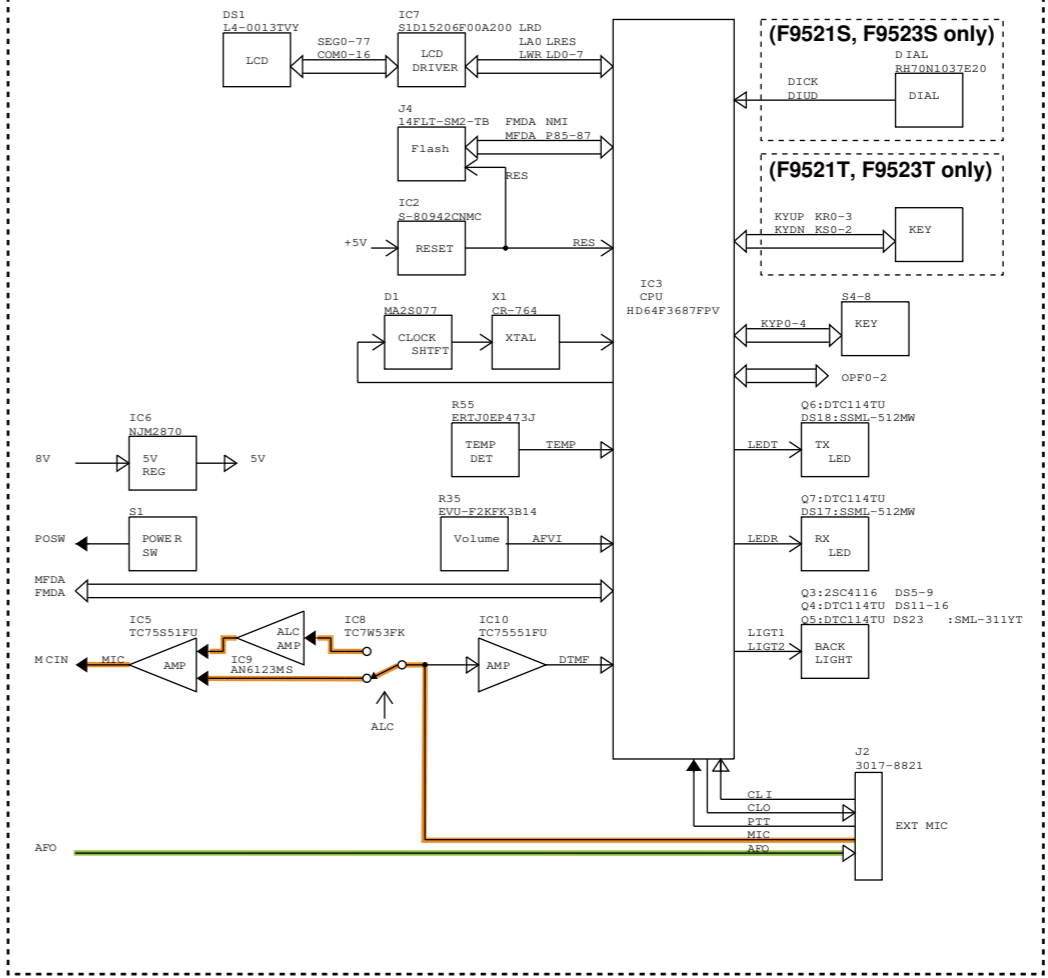


• BLOCK DIAGRAM (1/3)

LOGIC CIRCUITS



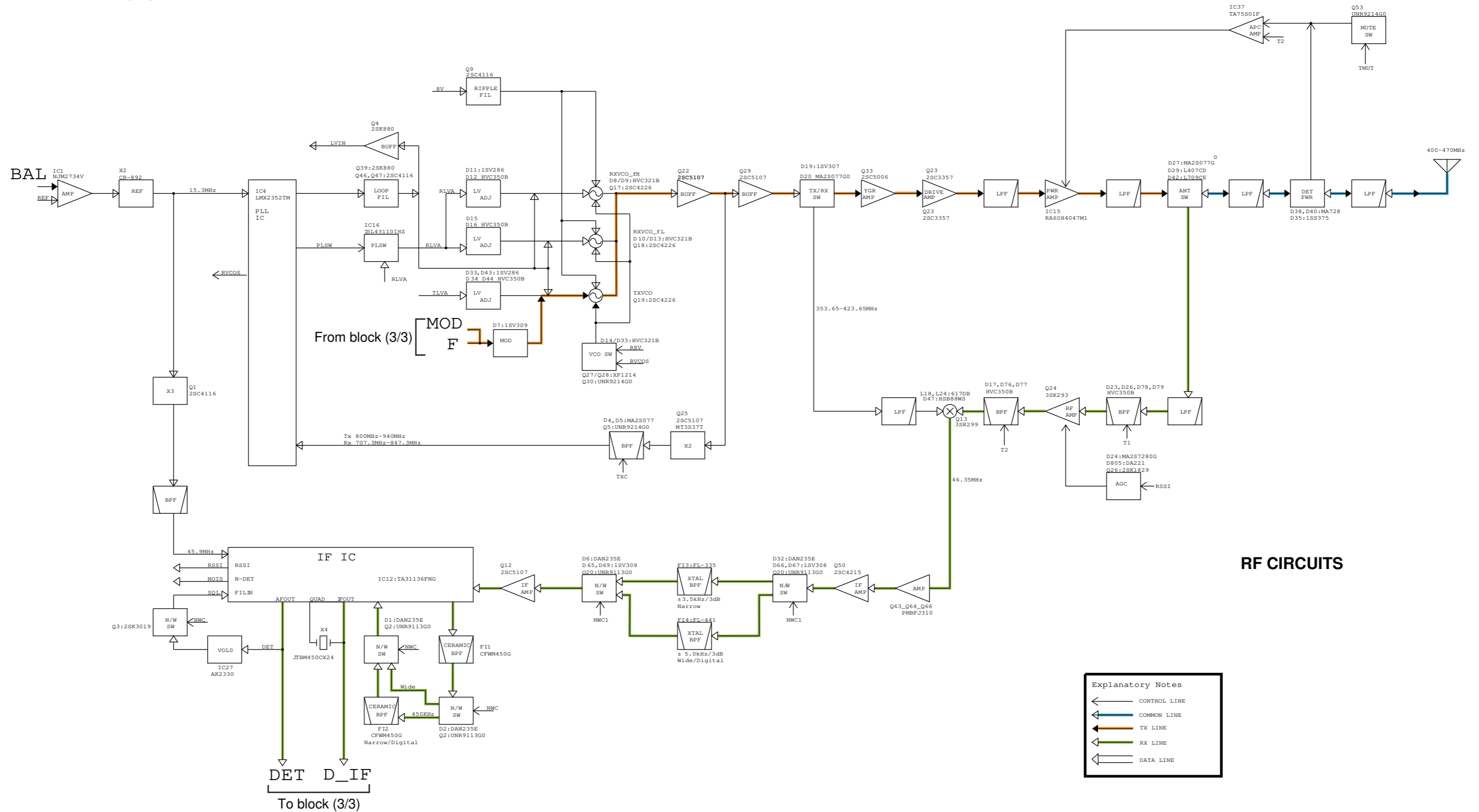
FRONT-A UNIT (For F9521S, F9523S)
FRONT-B UNIT (For F9521T, F9523T)



Explanatory Notes

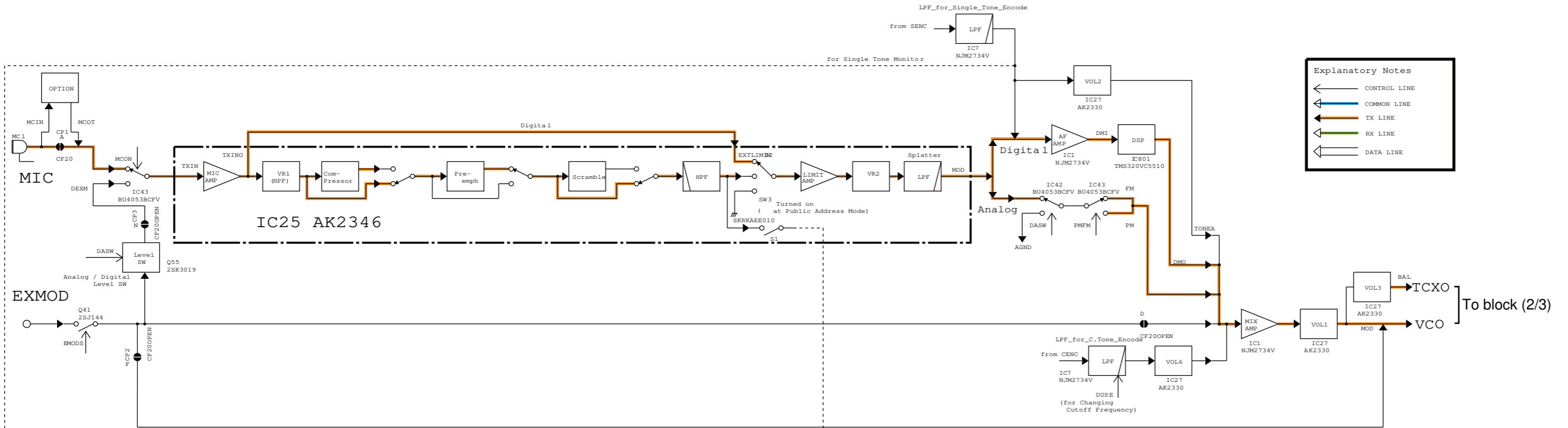
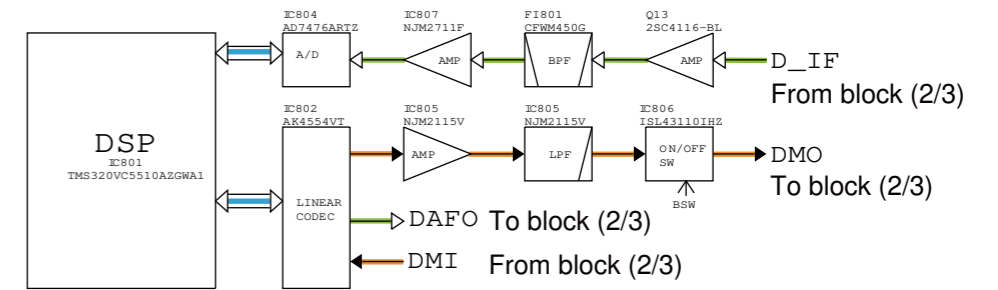
- ← CONTROL LINE
- ← COMMON LINE
- ← TX LINE
- ← RX LINE
- ← DATA LINE

• BLOCK DIAGRAM (2/3)



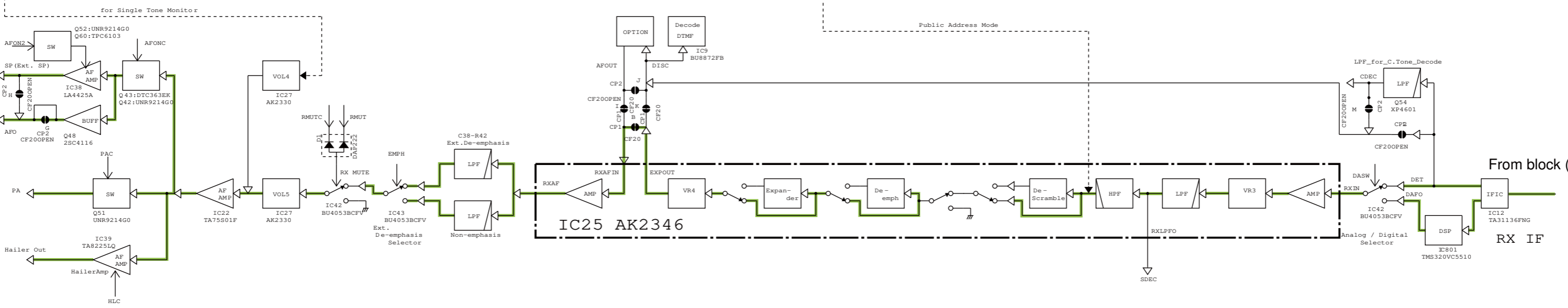
• BLOCK DIAGRAM (3/3)

AF CIRCUITS



Explanatory Notes

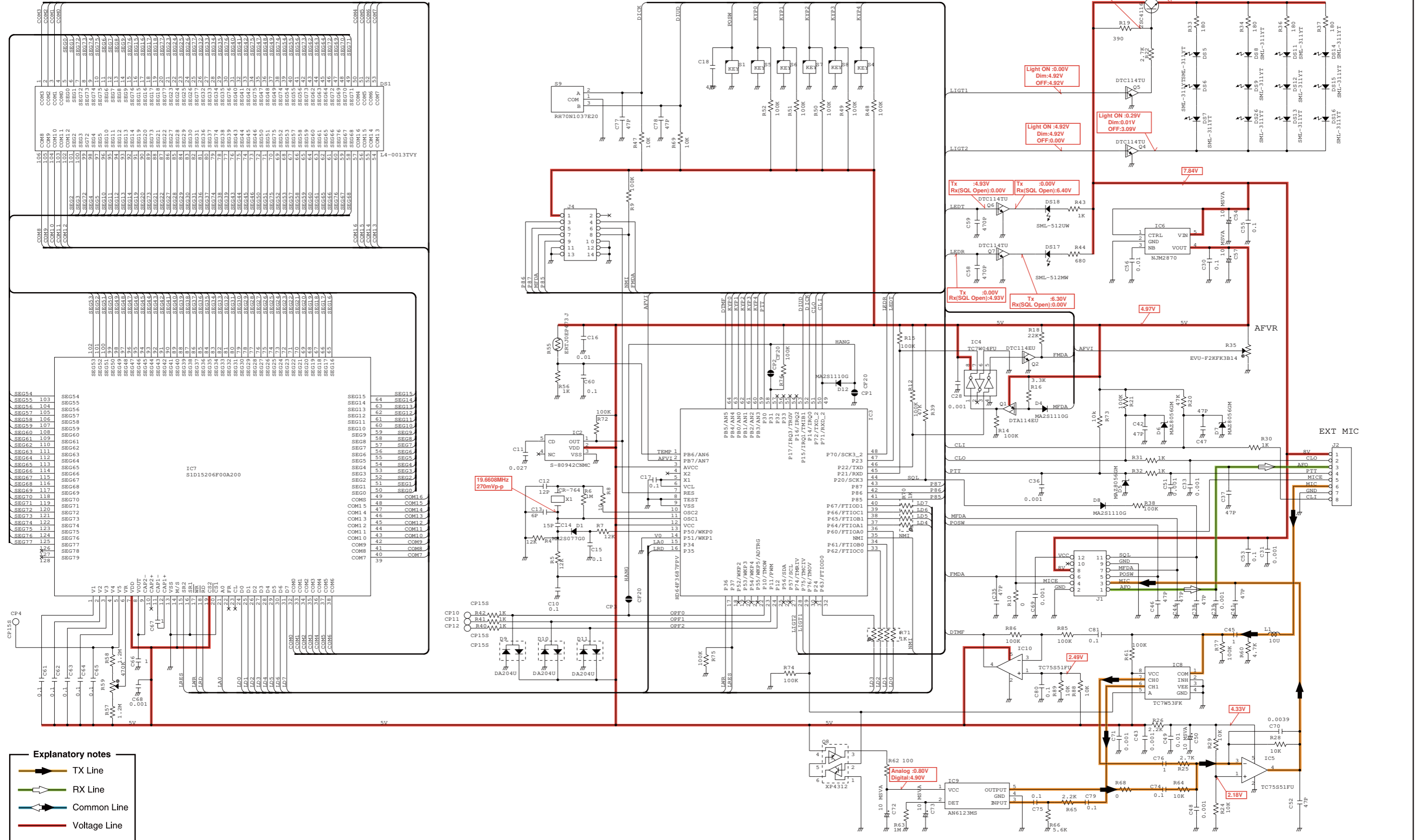
- ← CONTROL LINE
- ← COMMON LINE
- ← TX LINE
- ← RX LINE
- ← DATA LINE



SECTION 11

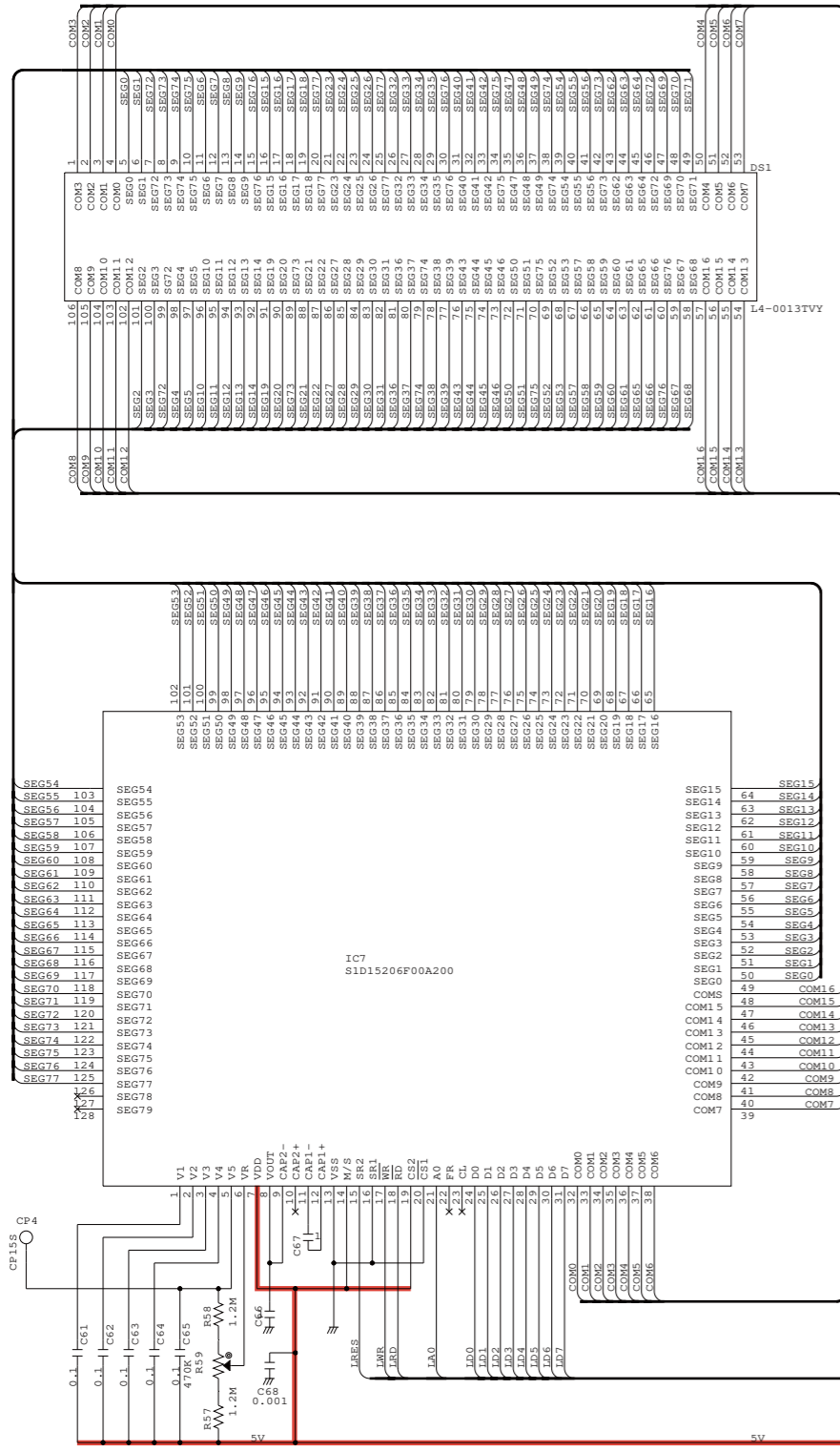
VOLTAGE DIAGRAM

FRONT-A UNIT (For F9521S, F9523S)



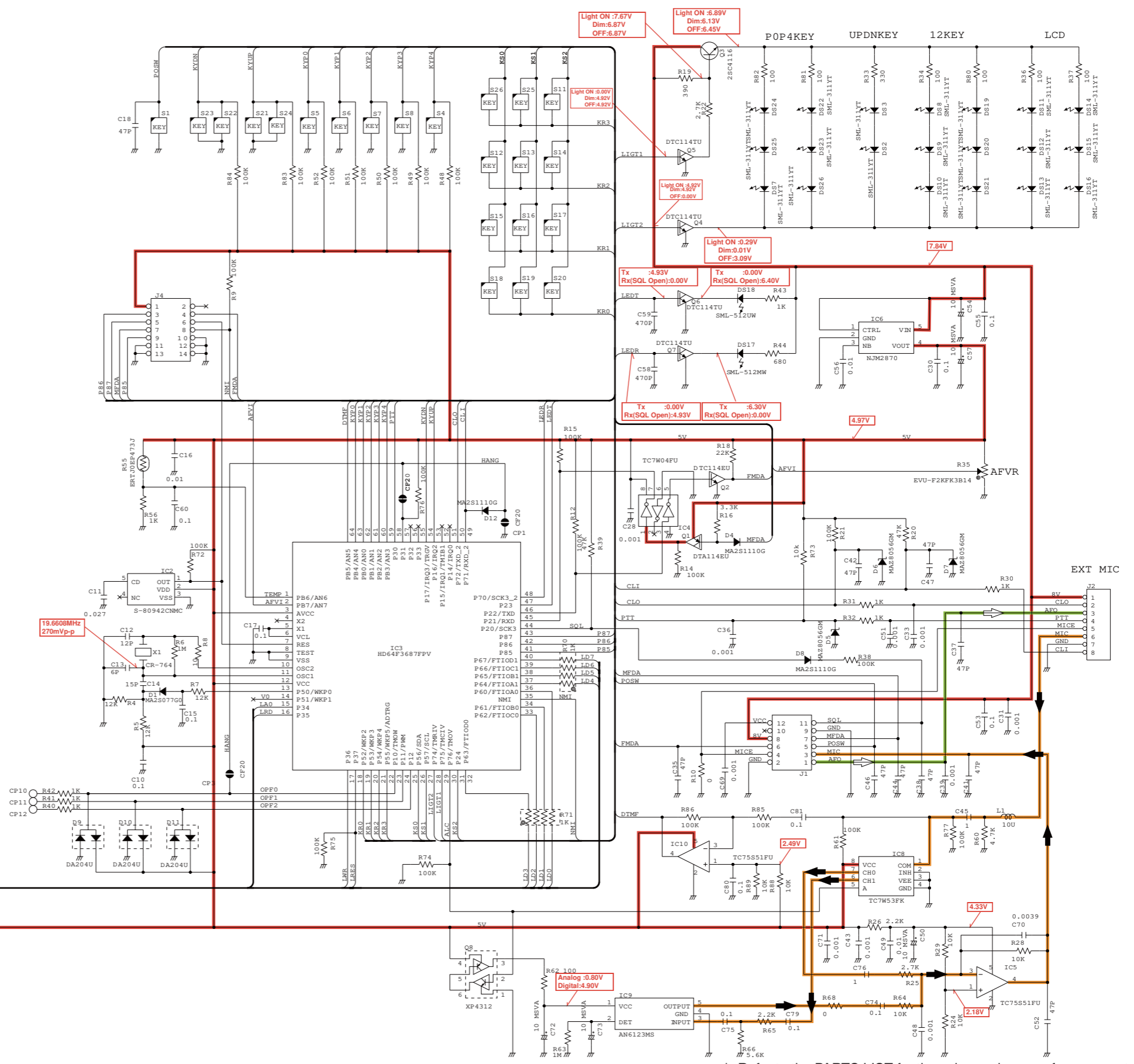
*: Refer to the PARTS LIST for the value and name of component.

FRONT-B UNIT (For F9521T, F9523T)



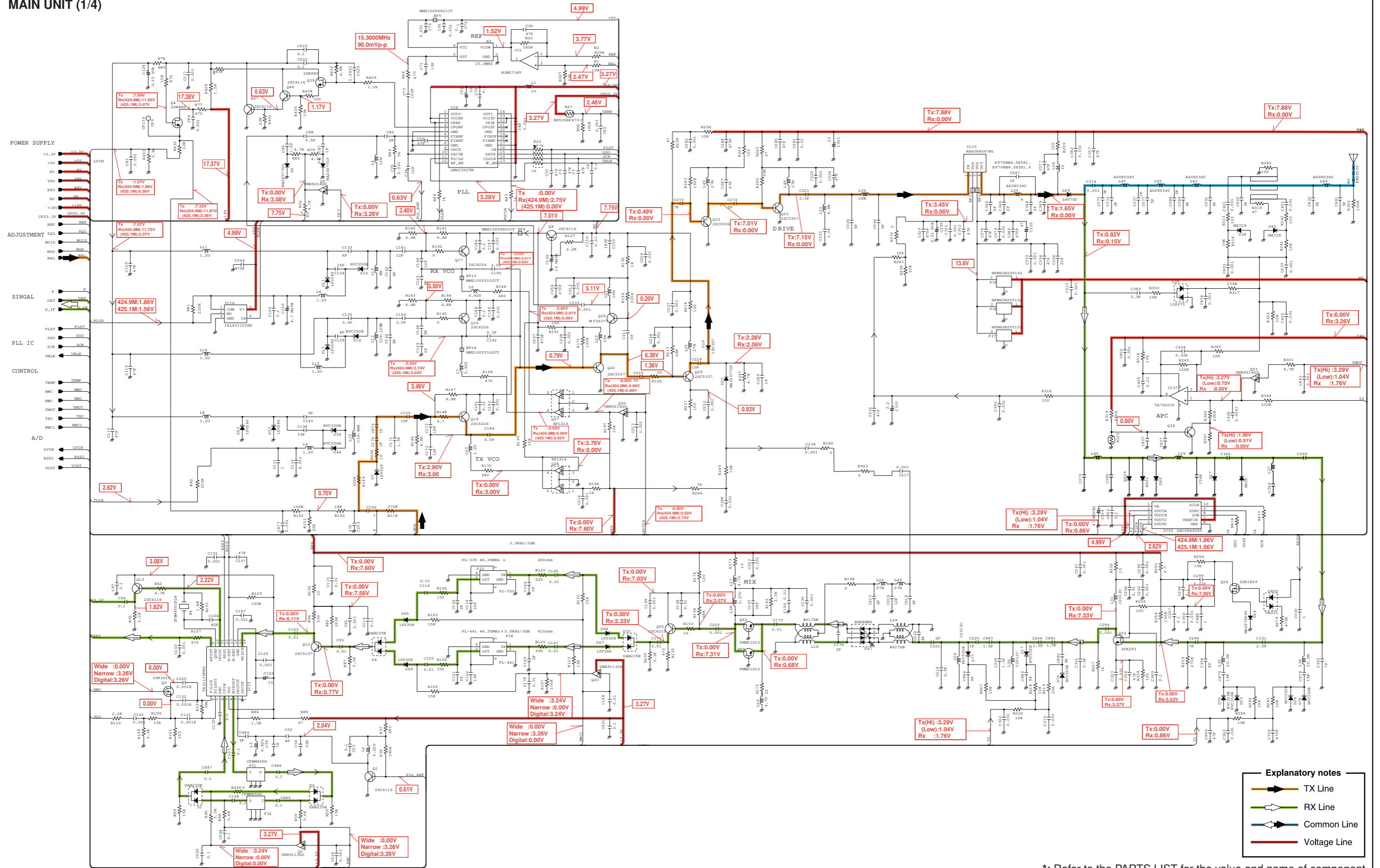
Explanatory notes

- TX Line
- RX Line
- Common Line
- Voltage Line



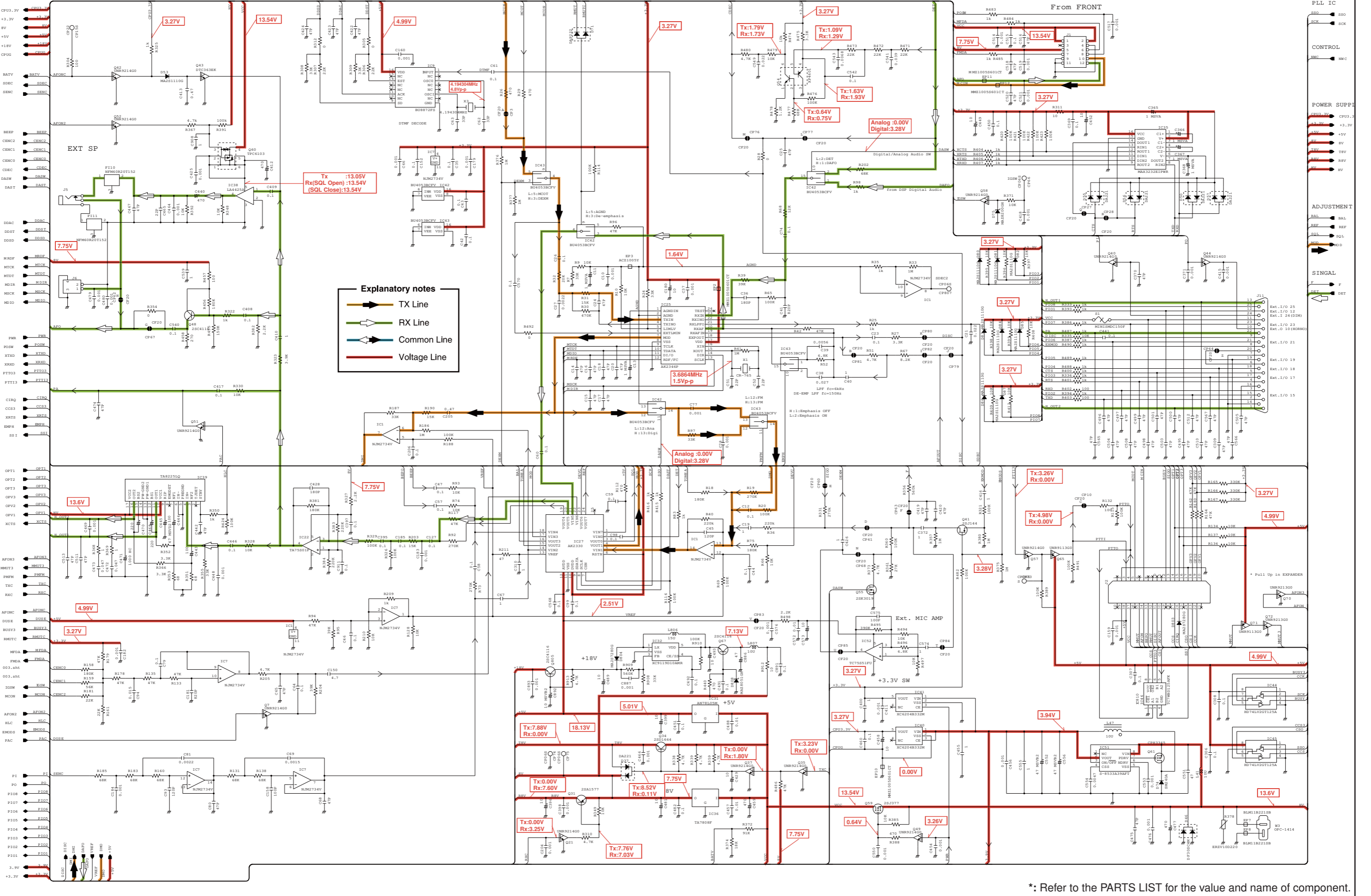
*: Refer to the PARTS LIST for the value and name of component.

MAIN UNIT (1/4)



*: Refer to the PARTS LIST for the value and name of component.

MAIN UNIT (2/4)



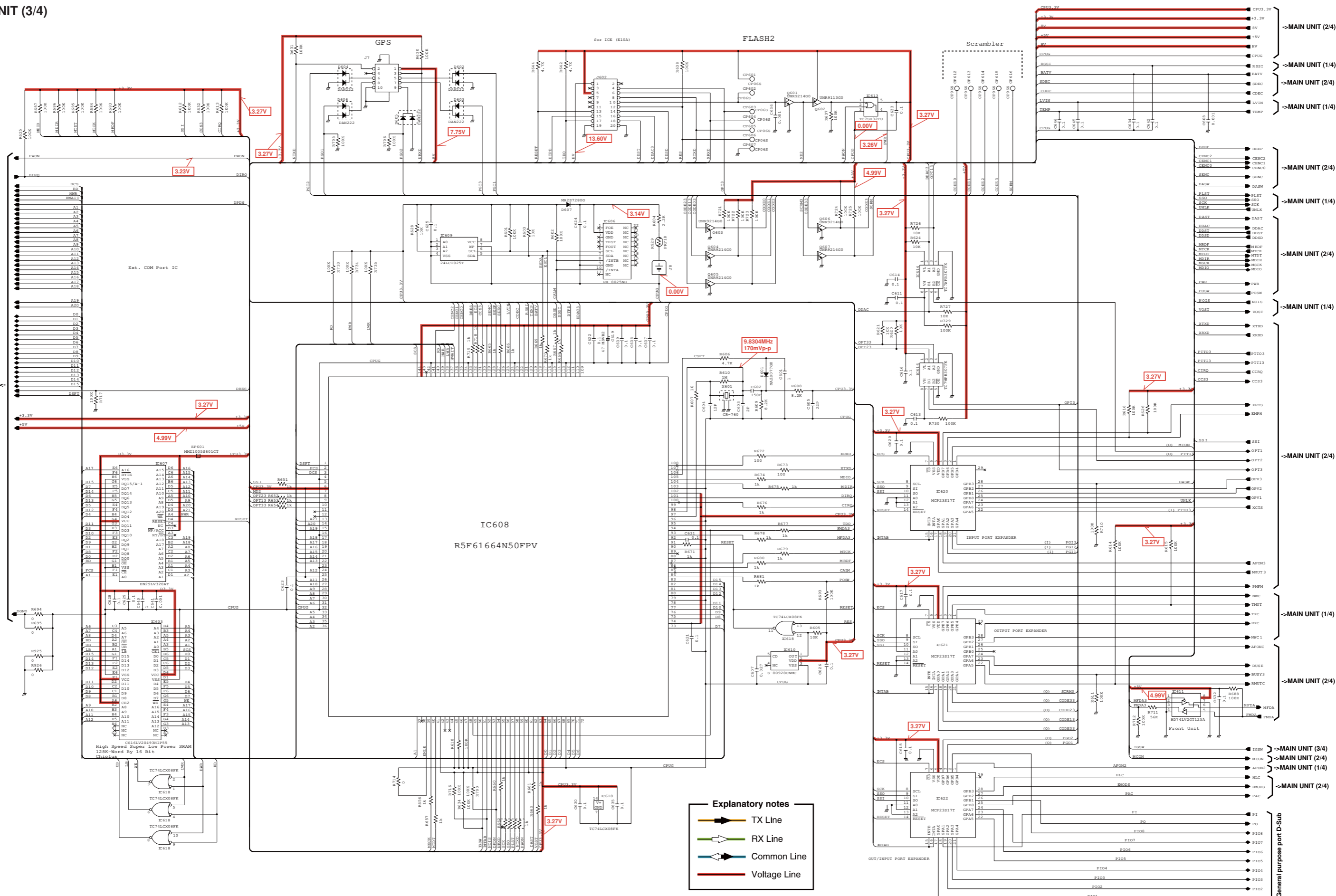
Explanatory notes

- TX Line
- RX Line
- Common Line
- Voltage Line

*: Refer to the PARTS LIST for the value and name of component.

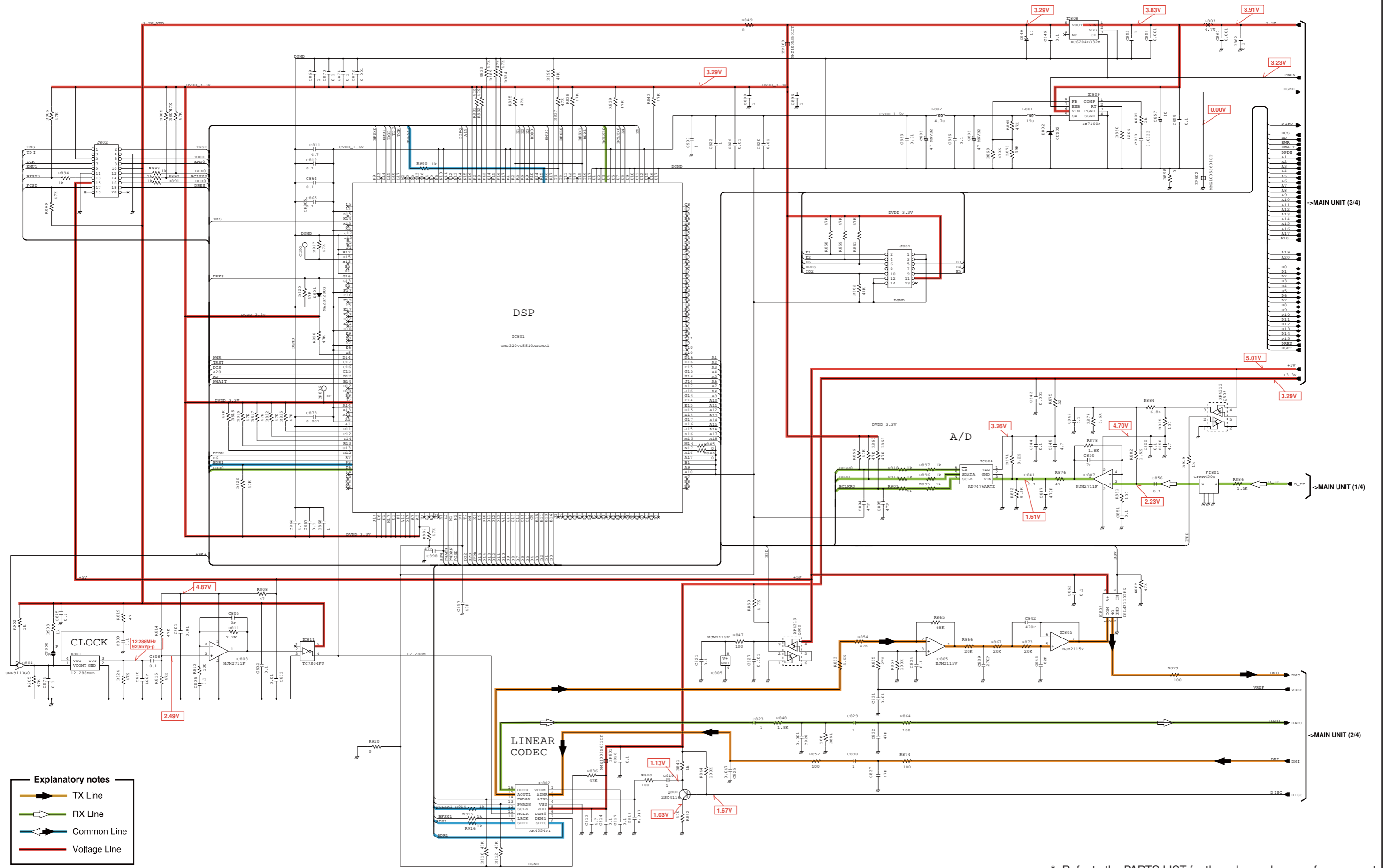
MAIN UNIT (3/4)

MAIN UNIT (4/4)



*: Refer to the PARTS LIST for the value and name of component.

MAIN UNIT (4/4)



*: Refer to the PARTS LIST for the value and name of component.

Icom Inc.

1-1-32, Kamiminami, Hirano-ku, Osaka 547-0003, Japan
Phone : +81 (06) 6793 5302
Fax : +81 (06) 6793 0013
URL : <http://www.icom.co.jp/world/index.html>

Icom America Inc.

<Corporate Headquarters>
2380 116th Avenue N.E., Bellevue, WA 98004, U.S.A.
Phone : +1 (425) 454-8155 Fax : +1 (425) 454-1509
URL : <http://www.icomamerica.com>
E-mail : sales@icomamerica.com
<Customer Service>
Phone : +1 (425) 454-7619

Icom Canada

Glenwood Centre #150-6165
Highway 17 Delta, B.C., V4K 5B8, Canada
Phone : +1 (604) 952-4266 Fax : +1 (604) 952-0090
URL : <http://www.icomcanada.com>
E-mail : info@icomcanada.com

Icom (Australia) Pty. Ltd.

Unit 1 / 103 Garden Road, Clayton VIC 3168 Australia
Phone : +61 (03) 9549-7500 Fax : +61 (03) 9549-7505
URL : <http://www.icom.net.au>
E-mail : sales@icom.net.au

Icom New Zealand

146A Harris Road, East Tamaki,
Auckland, New Zealand
Phone : +64 (09) 274 4062 Fax : +64 (09) 274 4708
URL : <http://www.icom.co.nz>
E-mail : inquiries@icom.co.nz

Beijing Icom Ltd.

10C07, Long silver Mansion, No.88, Yong Ding
Road, Haidian District, Beijing, 100039, China
Phone : +86 (010) 5889 5391/5392/5393
Fax : +86 (010) 5889 5395
E-mail : bjicom@bjicom.com
URL : <http://www.bjicom.com>

Icom (Europe) GmbH

Communication Equipment
Auf der Krautweide 24
65812 Bad Soden am Taunus, Germany
Phone : +49 (6196) 76685-0 Fax : +49 (6196) 76685-50
URL : <http://www.icomeurope.com>
E-mail : info@icomeurope.com

Icom Spain S.L

Ctra. Rubi, No. 88 Bajos A 08174, Sant Cugat del Valles, Barcelona, Spain
Phone : +34 (93) 590 26 70 Fax : +34 (93) 589 04 46
URL : <http://www.icomspain.com>
E-mail : icom@icomspain.com

Icom (UK) Ltd.

Blacksole House, The Boulevard, Altira Business Park, Herne Bay, CT6 6GZ, UK
Phone : +44 (01227) 741741 Fax : +44 (01227) 741742
URL : <http://www.icomuk.co.uk>
E-mail : info@icomuk.co.uk

Icom France s.a.s.

Zac de la Plaine
1 Rue Brindejonn des Moulinais BP 5804
31505 Toulouse Cedex, France
Phone : +33 (5) 61 36 03 03 Fax : +33 (5) 61 36 03 00
URL : <http://www.icom-france.com>
E-mail : icom@icom-france.com

Asia Icom Inc.

6F No.68, Sec. 1 Cheng-Teh Road, Taipei, Taiwan, R.O.C.
Phone : +886 (02) 2559 1899 Fax : +886 (02) 2559 1874
URL : <http://www.asia-icom.com>
E-mail : sales@asia-icom.com

Icom Polska

81-850 Sopot, ul. 3 Maja 54, Poland
Phone : +48 (58) 550 7135 Fax : +48 (58) 551 0484
E-mail : icompolska@icompolska.com.pl

Count on us!

Icom Inc.

1-1-32, Kamiminami, Hirano-ku, Osaka 547-0003, Japan

S-14607XZ-C1
© 2009 Icom Inc.