

# ICOM INSTRUCTION MANUAL

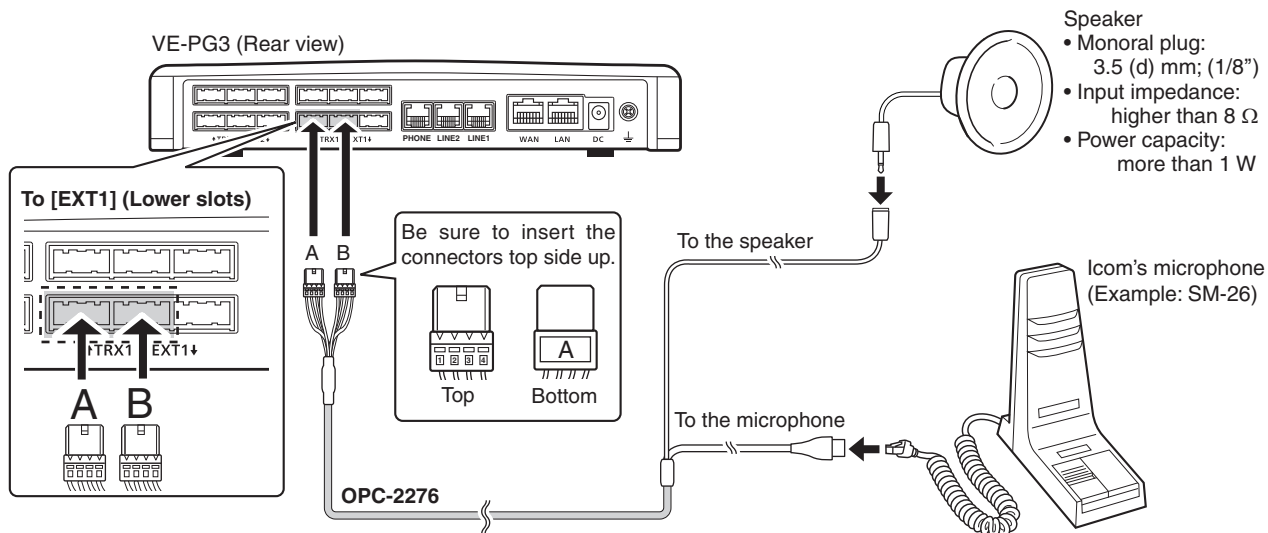
## CONNECTION CABLE

# OPC-2276

Thank you for purchasing this Icom product. The OPC-2276 CONNECTION CABLE is used to connect a microphone and a speaker to the VE-PG3. READ ALL INSTRUCTIONS carefully and completely before using the cable.

### CONNECTING THE OPC-2276

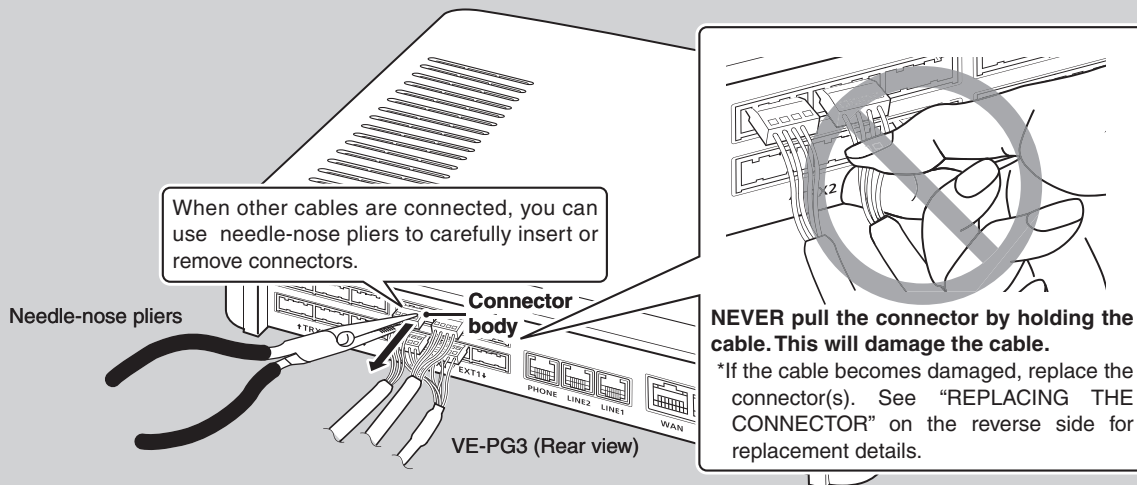
Turn OFF the VE-PG3, and then connect the OPC-2276, as shown below.



- The [EXT1] and [EXT2] ports (lower slots) accept the OPC-2276 connectors, however, follow the example to correctly connect the microphone and speaker to ONLY the [EXT1] on the VE-PG3.

#### CAUTION

- Verify that the VE-PG3 is turned OFF when connecting or disconnecting the cable.
- Hold the connector body when connecting or disconnecting them.



- Never bend or pinch the cable.
- Never place a heavy object on the cable.
- Never touch the cable with wet hands.
- Always connect the cable correctly. An incorrect connection could damage the VE-PG3 and/or the microphone and speaker.

# REPLACING THE CONNECTOR

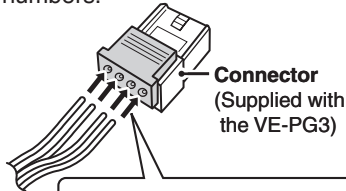
If the cable becomes damaged, replace the connector(s). Make wire connections as described below.

• Spare connectors\*1 are supplied with the VE-PG3.

\*1 Manufacturer: DDK. Name: 232D-04S1B-DA5-FA (Equivalent to the OPC-2276 connector.)

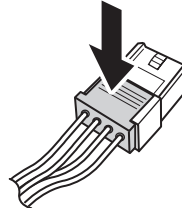
The connector has two parts; a black base and a clear insert. **DO NOT** lock the connector parts before inserting all wires.

**1** Insert the wires into the holes according to the assigned pin numbers.



The wires for each hole are assigned by color. See the illustration below.

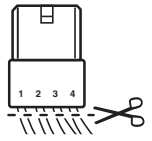
**2** Press the clear insert down until it locks in place.



• After the insert is locked, it is impossible to release it again.

## RECOMMENDATION

If reconnecting is repeated about 30 times, cut the wires\*2 \*3 near the connector and replace the connector.

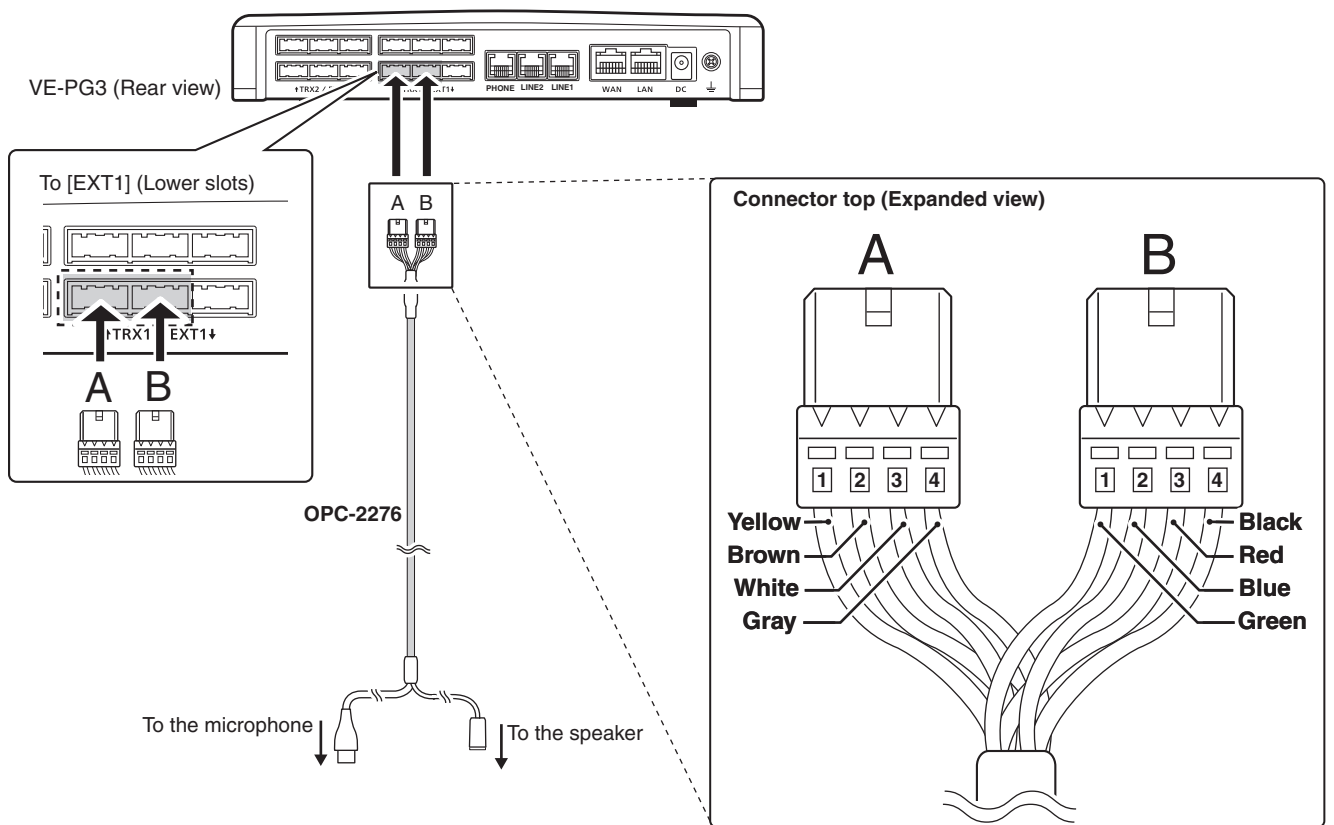


\*2 Remove the cable from the VE-PG3, before cutting the wires.

\*3 DO NOT cut the wires too short. Otherwise it will be difficult to reconnect them to the VE-PG3.

## OPC-2276 connection and wires assignment

• Turn OFF the VE-PG3 before connecting or disconnecting the OPC-2276.



• Follow the example to correctly connect the microphone and speaker to [EXT1] on the VE-PG3.

Icom, Icom Inc. and the Icom logo are registered trademarks of Icom Incorporated (Japan) in Japan, the United States, the United Kingdom, Germany, France, Spain, Russia and/or other countries.

**Icom Inc.**

1-1-32 Kamiminami, Hirano-ku, Osaka 547-0003, Japan

**Count on us!**

A-7045X-1EX  
Printed in Japan  
© 2012 Icom Inc.