

SWITCHES -  
 OPERATED BY BFO-AVC SW  
 " " TONE CONTROL  
 " " BASS "

FREQUENCY RANGES.

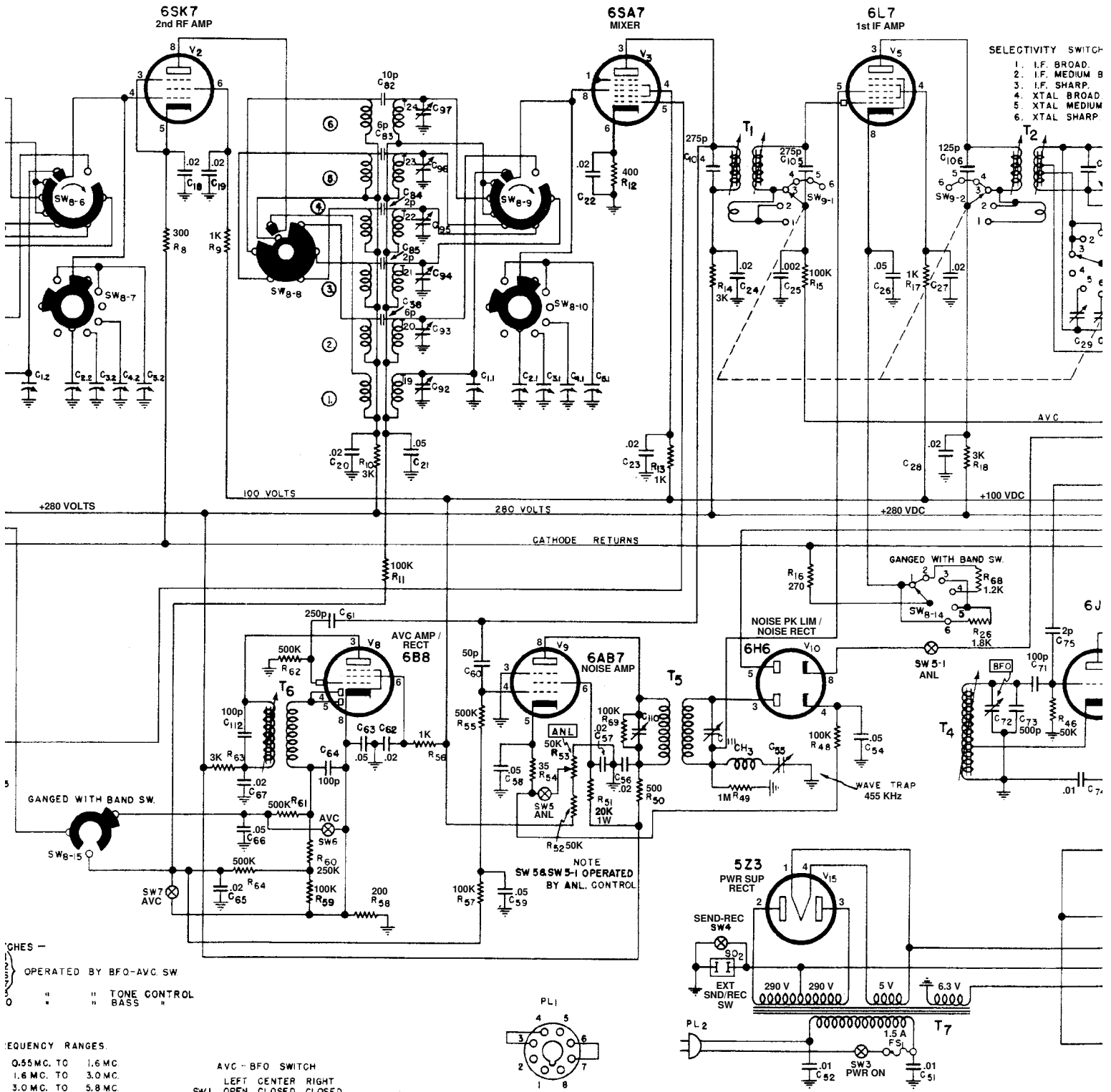
1. 0.55 MC. TO 1.6 MC.
2. 1.6 MC. TO 3.0 MC
3. 3.0 MC. TO 5.8 MC
4. 5.8 MC. TO 11.0 MC
5. 11.0 MC. TO 21.0 MC.
6. 21.0 MC. TO 43.0 MC.

AVC - BFO SWITCH

	LEFT	CENTER	RIGHT
SW 1	OPEN	CLOSED	CLOSED
SW 6	OPEN	CLOSED	CLOSED
SW 7	OPEN	CLOSED	CLOSED
SW 2	OPEN	OPEN	CLOSED
AVC	ON	AVC OFF	BFO ON

the hallicrafters co.

SCHEMATIC DIAGRAM - SUPER SKYRIDER - MODEL SX-28.



- SELECTIVITY SWITCH:
1. I.F. BROAD.
  2. I.F. MEDIUM B.
  3. I.F. SHARP.
  4. XTAL BROAD.
  5. XTAL MEDIUM.
  6. XTAL SHARP.

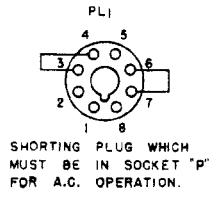
OPERATED BY BFO-AVC SW  
 " " " TONE CONTROL  
 " " " BASS "

FREQUENCY RANGES.

0.55 MC. TO 1.6 MC.
1.6 MC. TO 3.0 MC.
3.0 MC. TO 5.8 MC.
5.8 MC. TO 11.0 MC.
11.0 MC. TO 21.0 MC.
21.0 MC. TO 43.0 MC.

AVC - BFO SWITCH

LEFT	CENTER	RIGHT
SW1	OPEN	CLOSED
SW6	OPEN	CLOSED
SW7	OPEN	CLOSED
SW2	OPEN	OPEN
		CLOSED



FOR D.C. OPERATION CONNECT 270 VOLTS + TO PIN 3, - TO PIN 6 + " " " 7, - " "

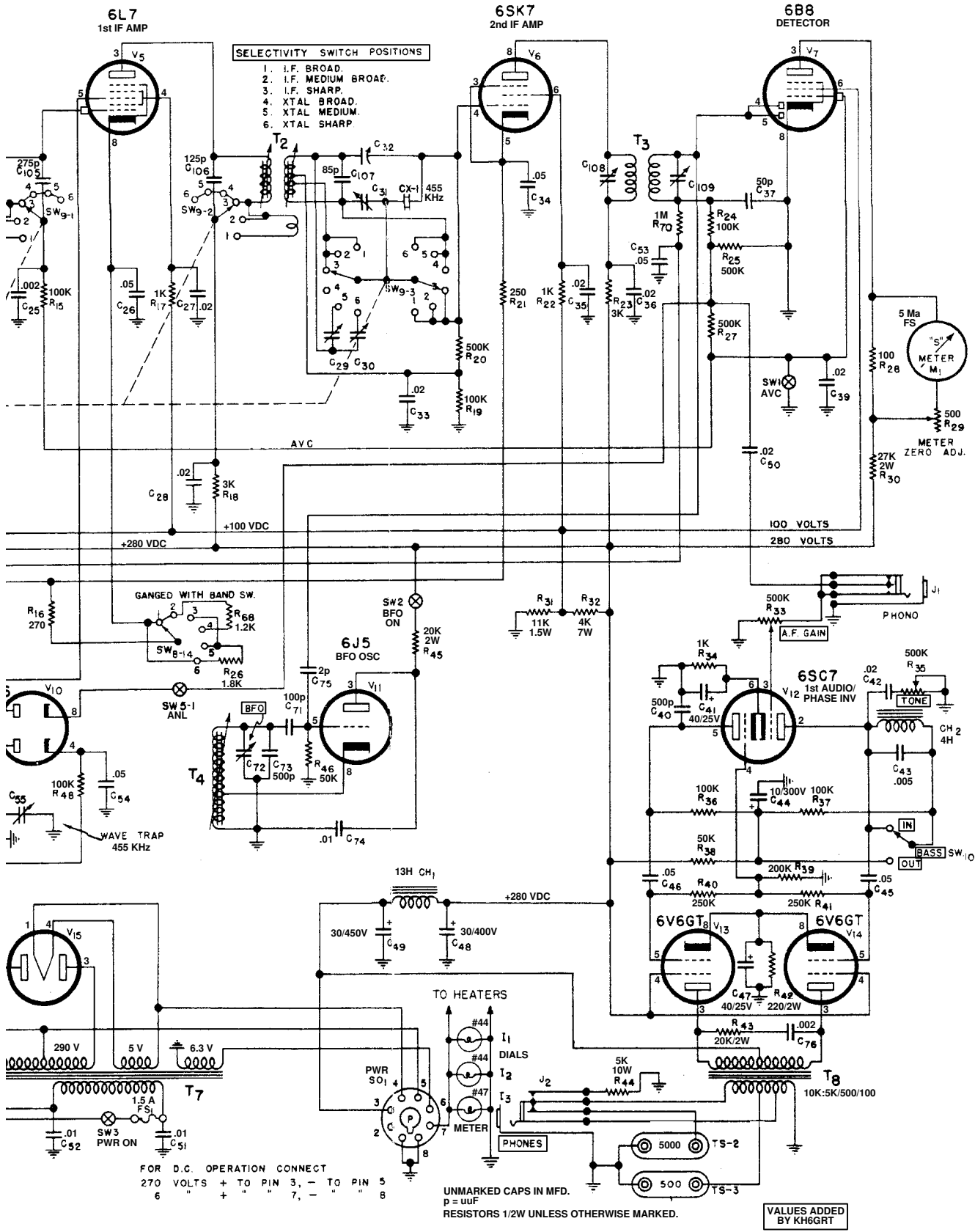


FIG. 13—SX28—SCHEMATIC