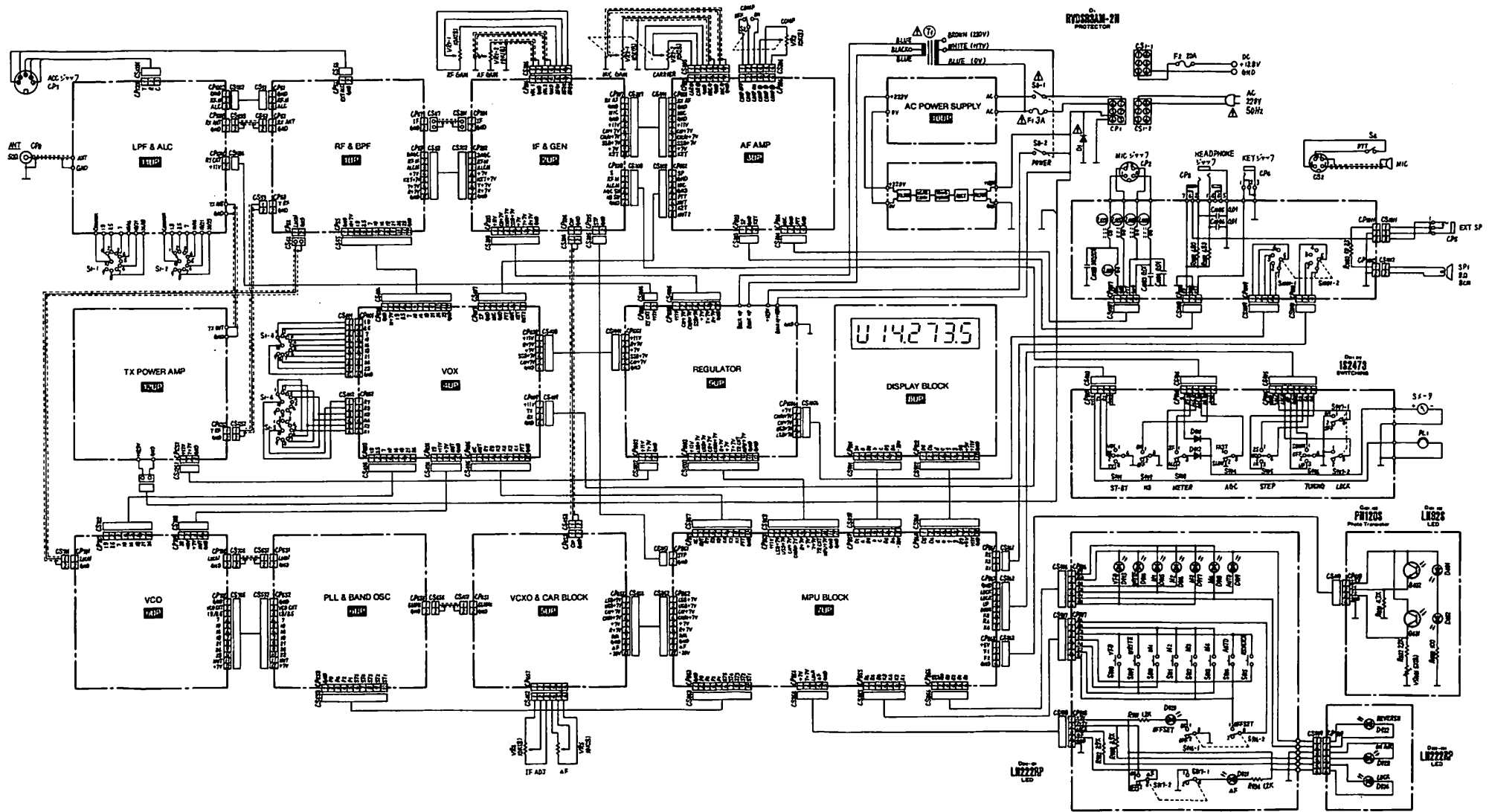




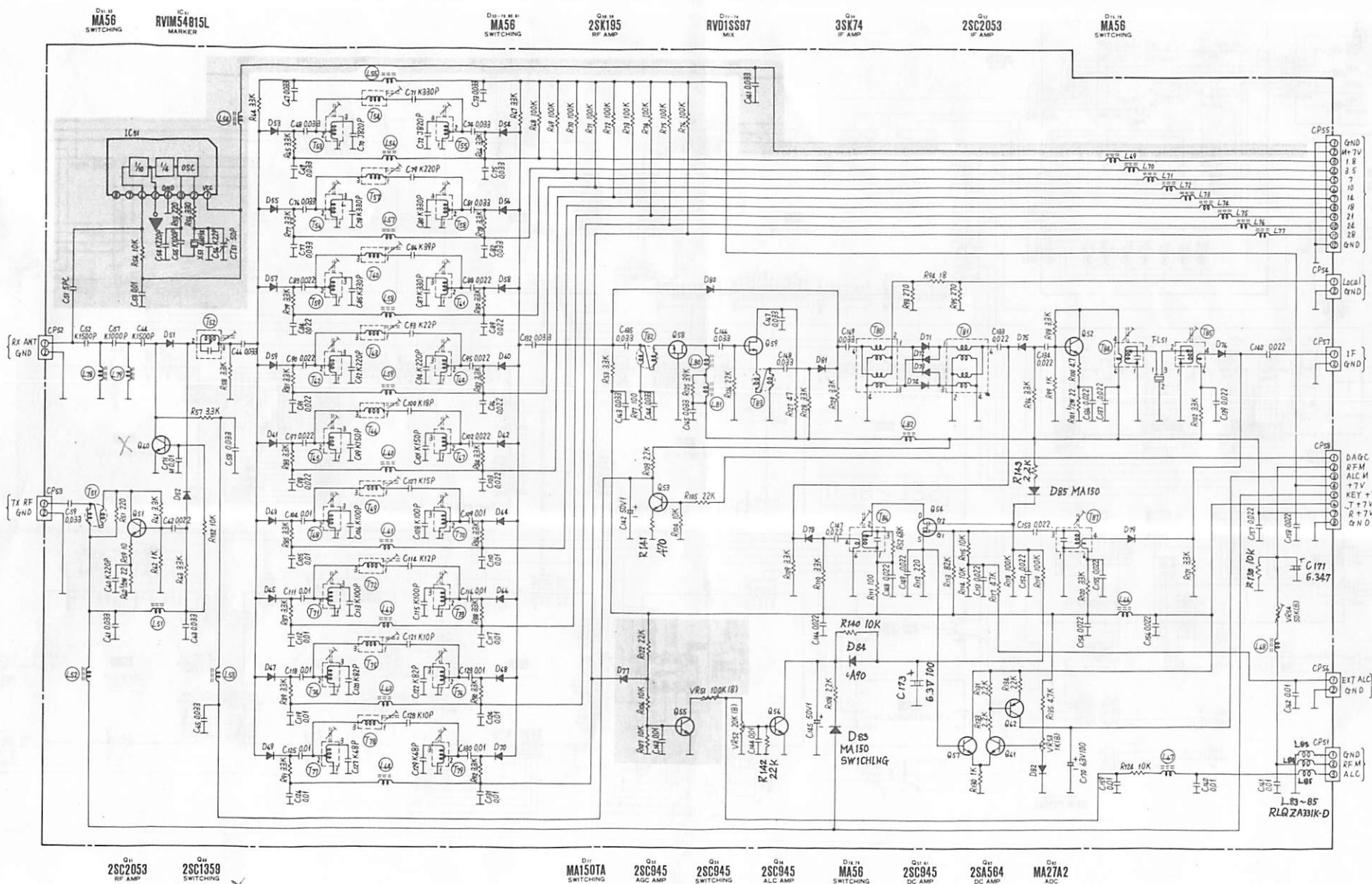
# SCHEMATIC DIAGRAM



-15-

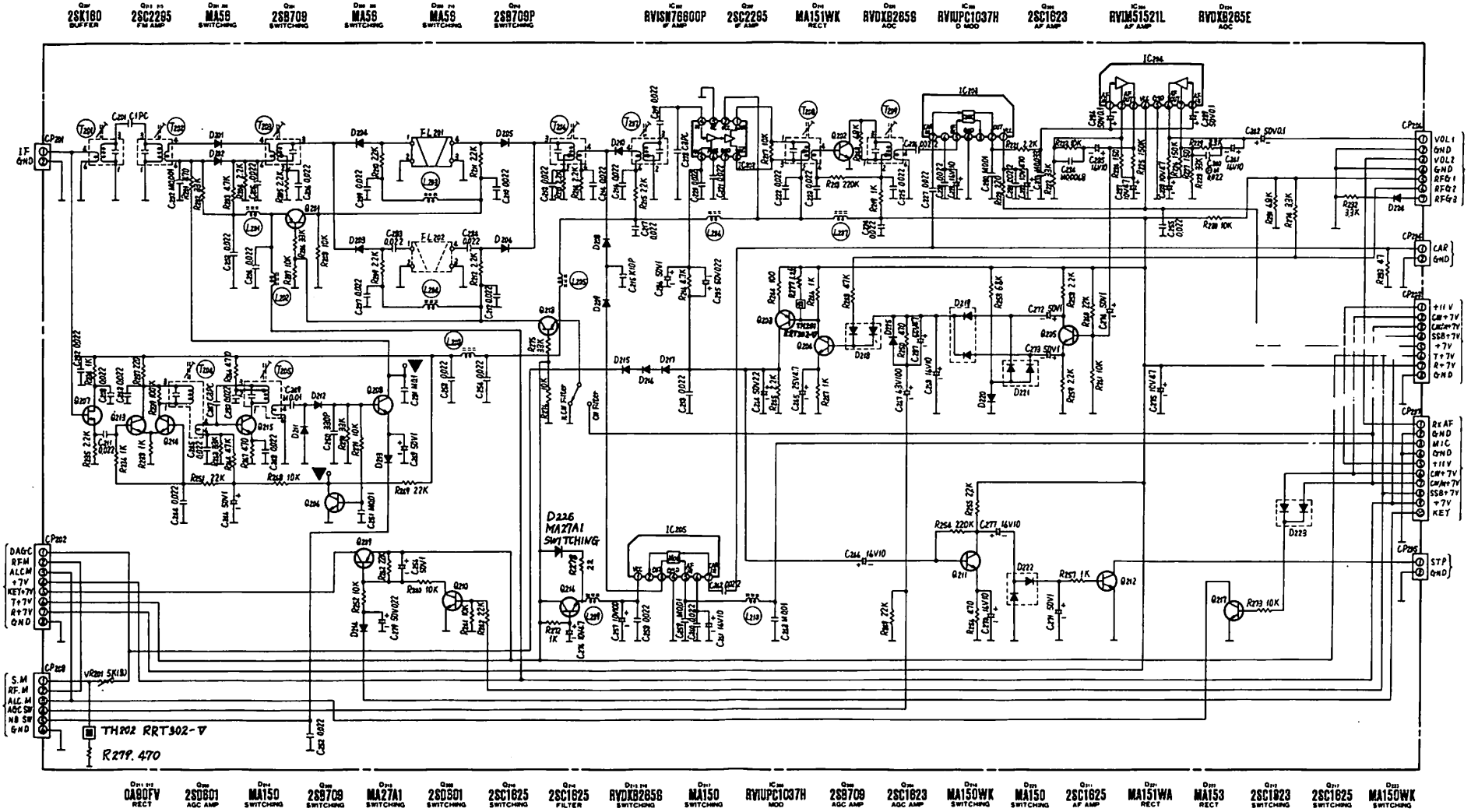
This schematic diagram is subject to change without notice.

# RF & BPF Module



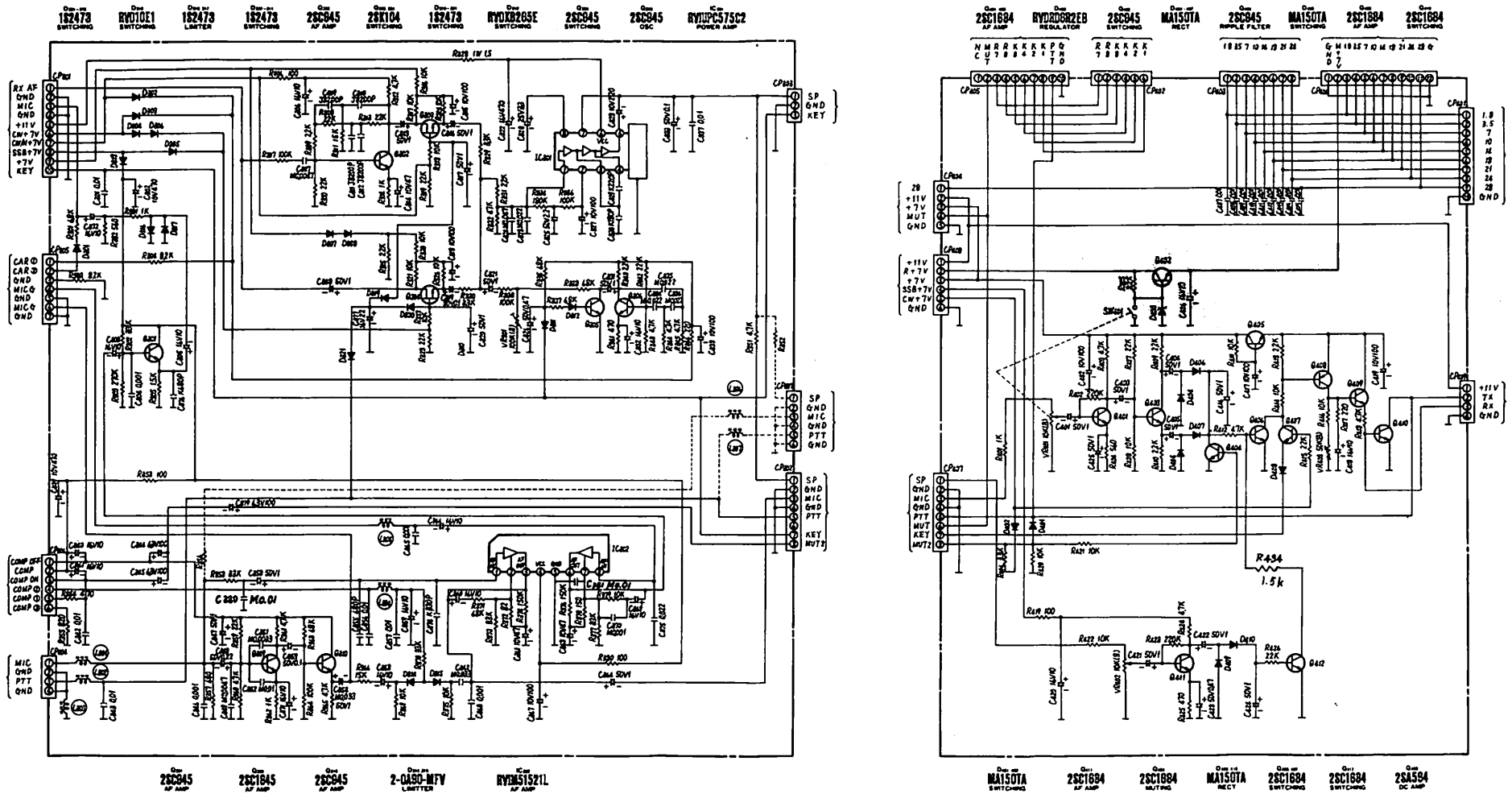
This schematic diagram is subject to change without notice.

# IF & GENERATOR Module



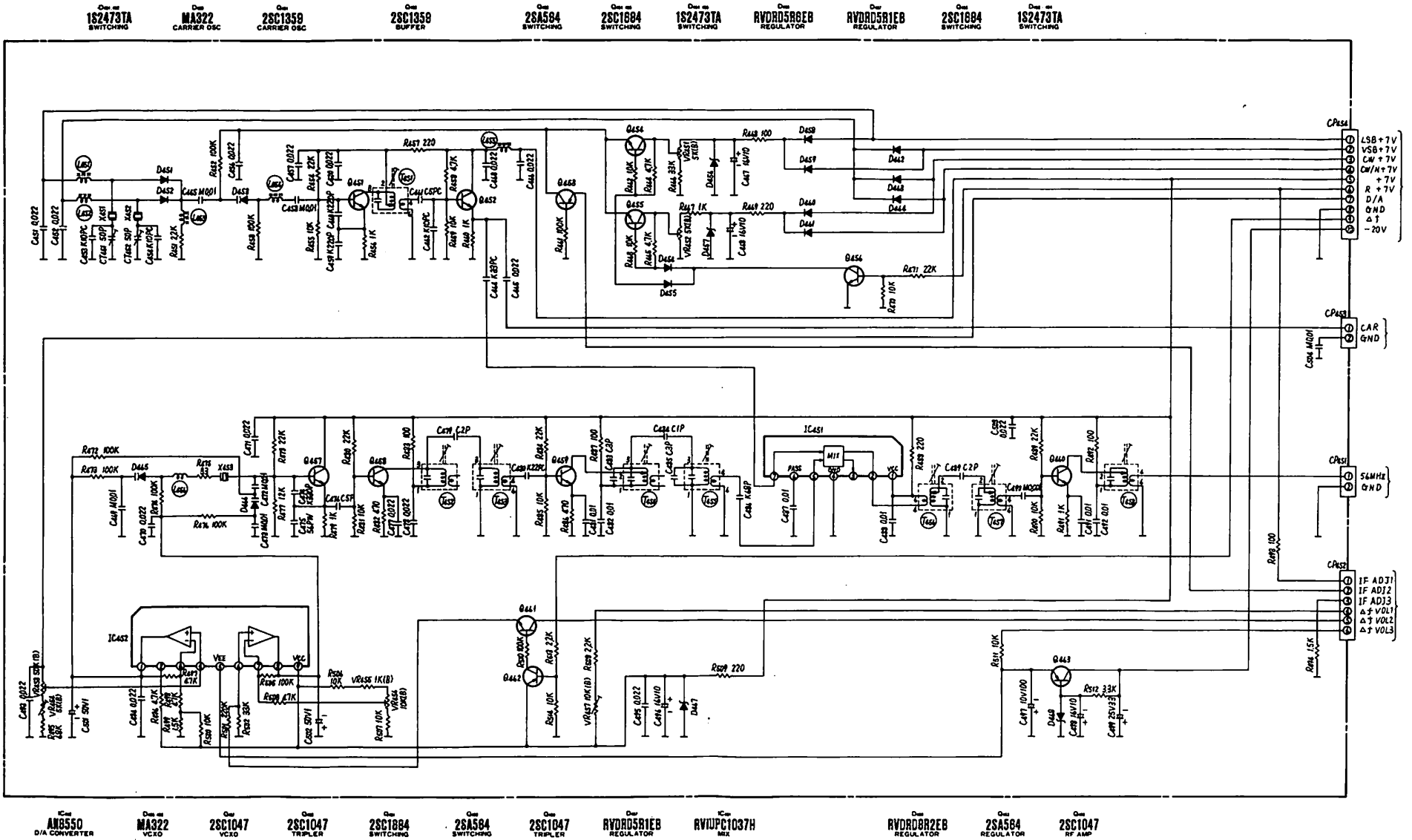
This schematic diagram is subject to change without notice.

# AF & VOX Module



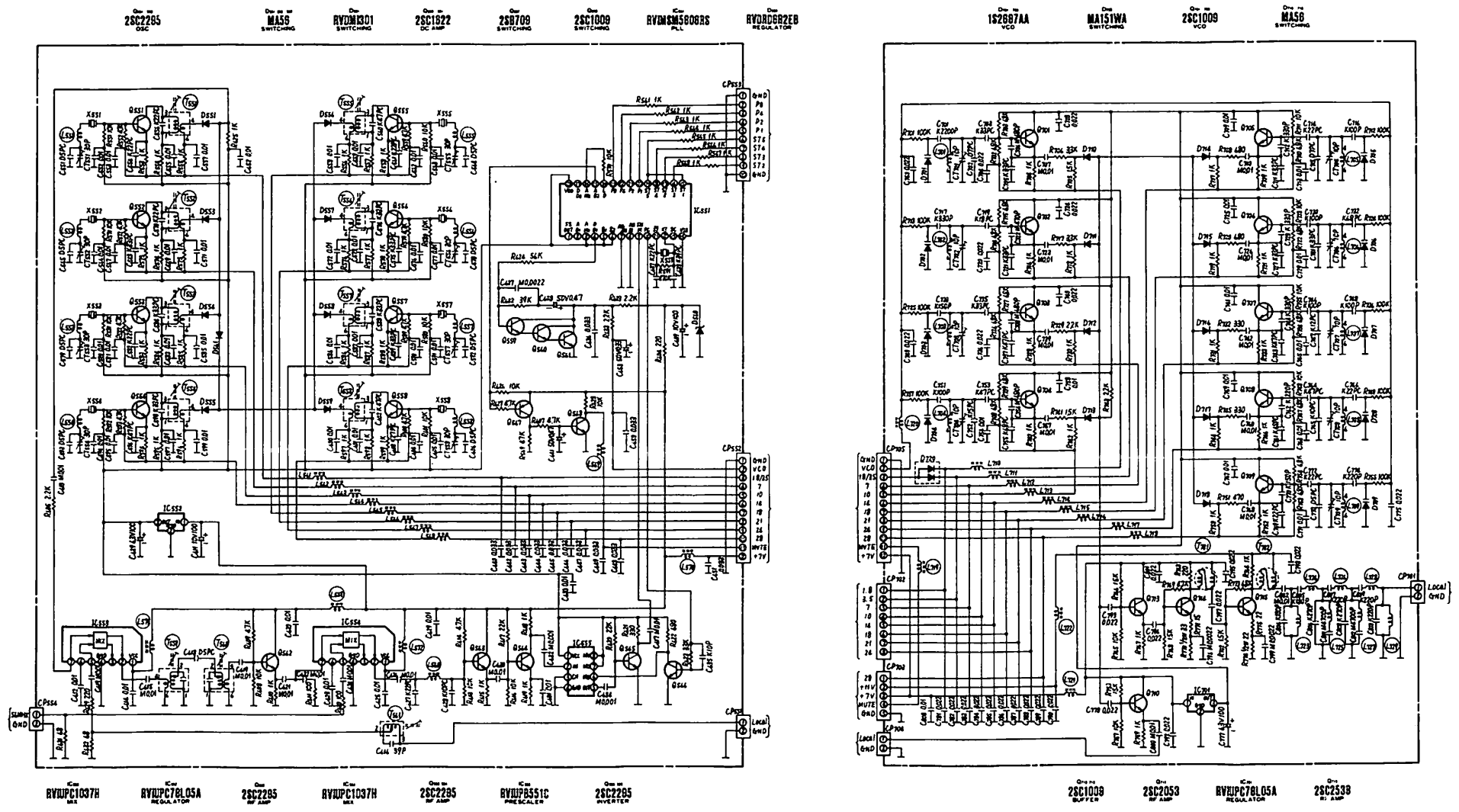
This schematic diagram is subject to change without notice.

# VCXO & CAR Module



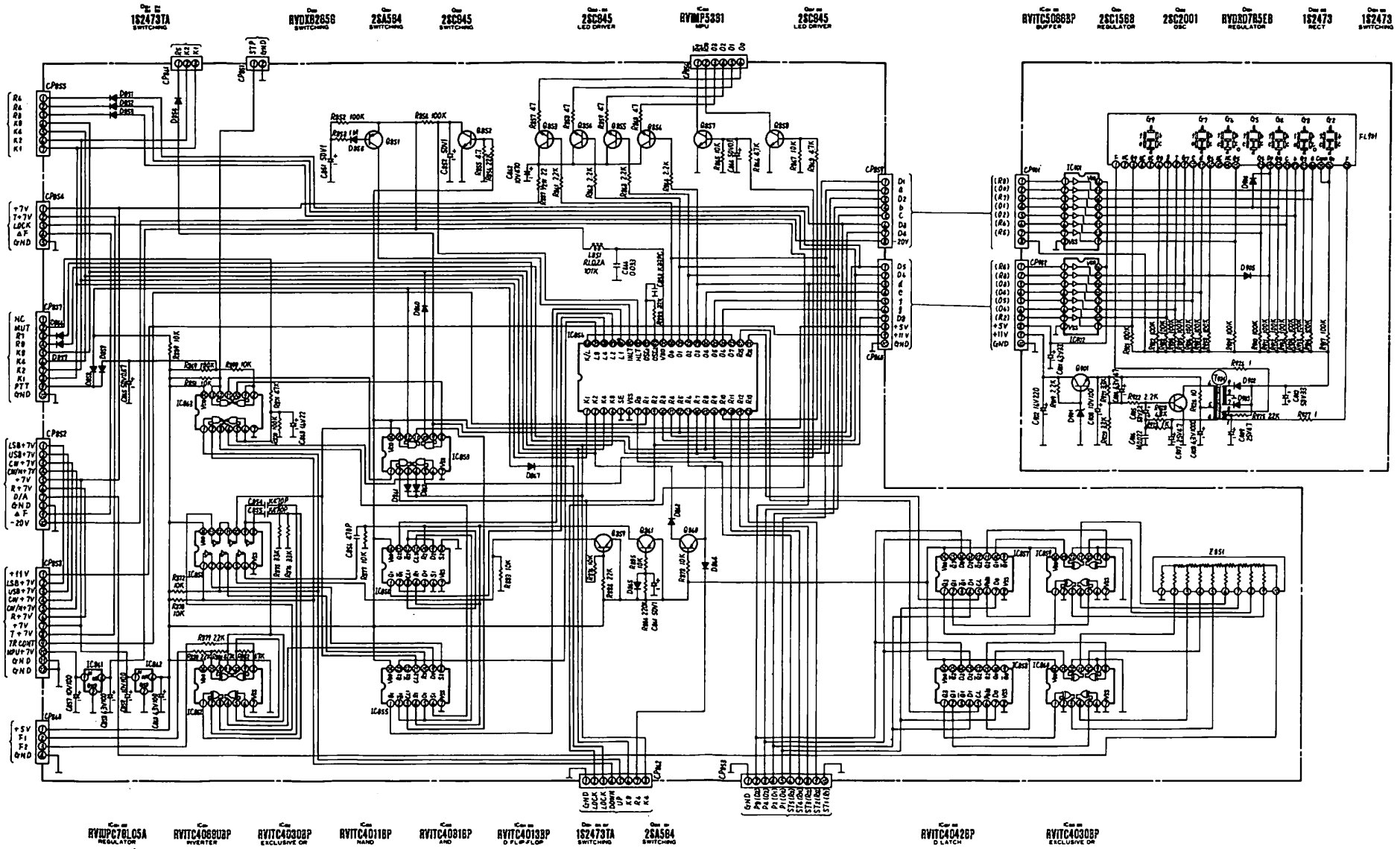
This schematic diagram is subject to change without notice.

# PLL Module



This schematic diagram is subject to change without notice.

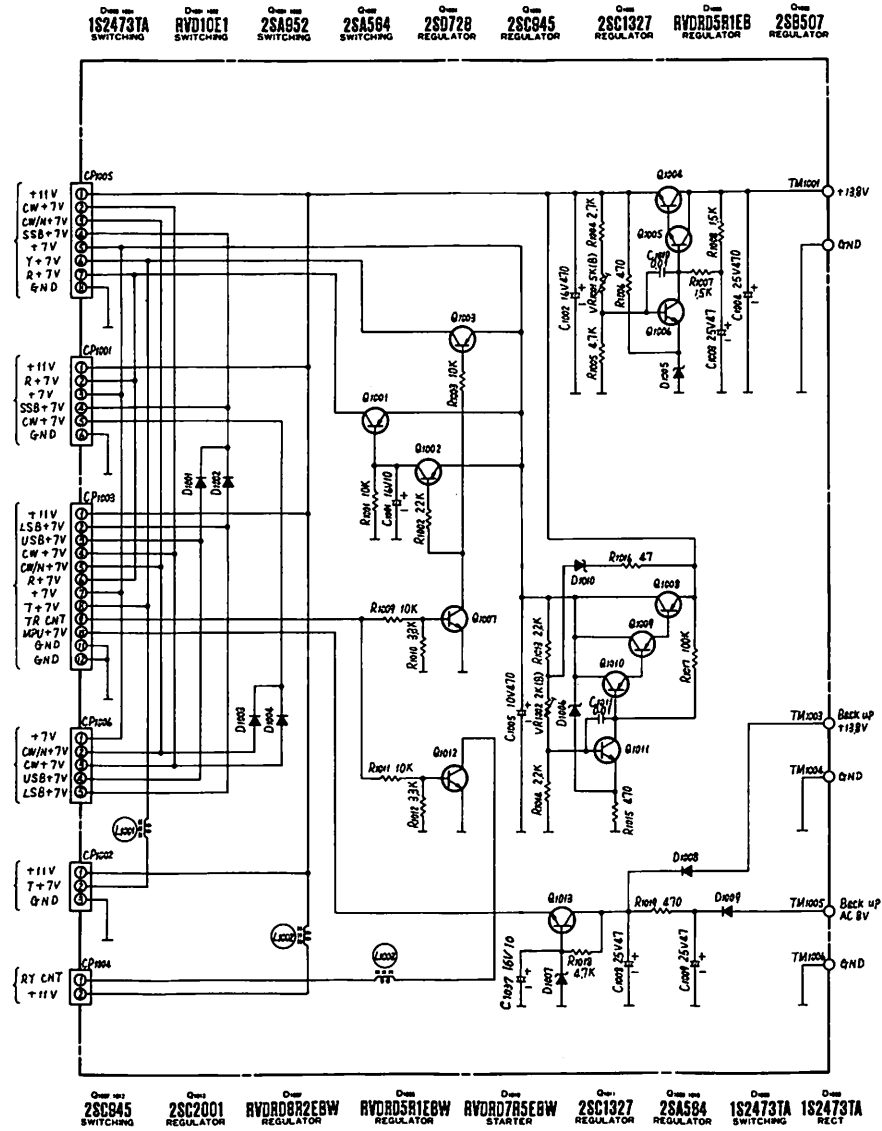
# MPU & DISPLAY Module



This schematic diagram is subject to change without notice.



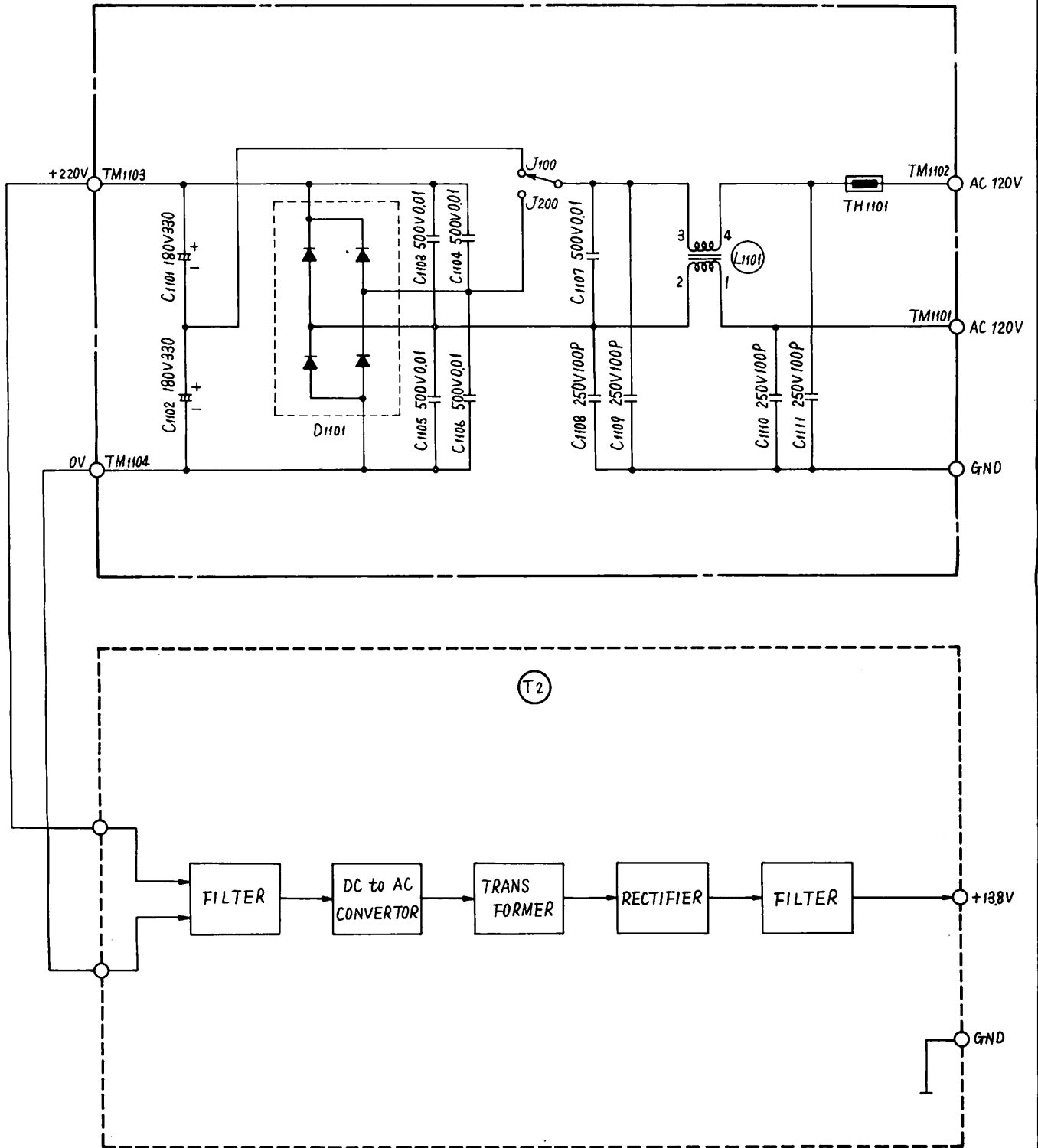
# REGULATOR Module



This schematic diagram is subject to change without notice.

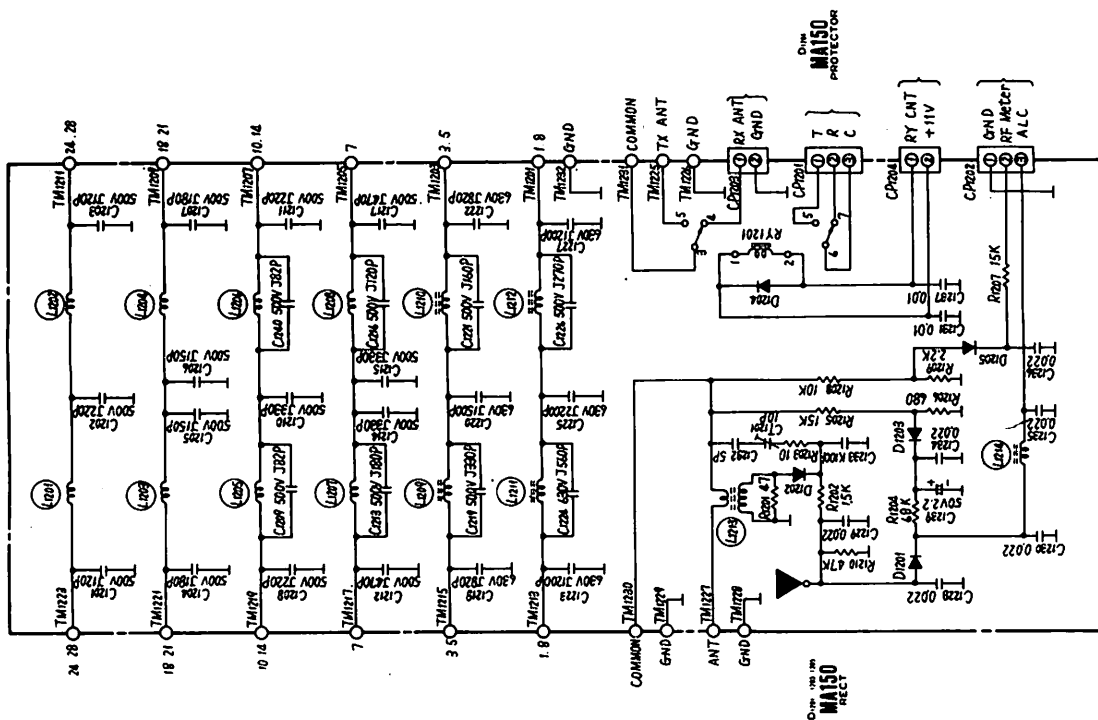
# AC POWER SUPPLY Module

D1101  
RVDS4VB40F  
RECT



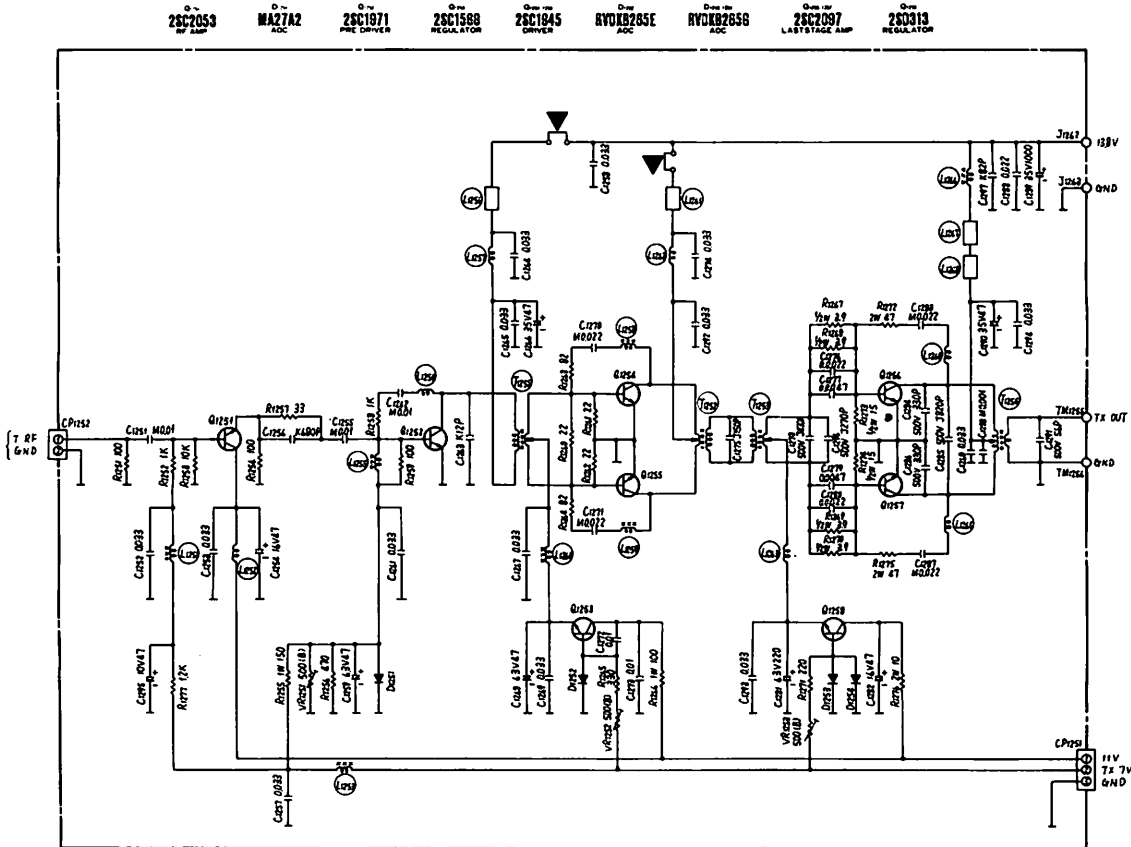
This schematic diagram is subject to change without notice.

# LPF & ALC Module



This schematic diagram is subject to change without notice.

# TX POWER AMP. Module



This schematic diagram is subject to change without notice.