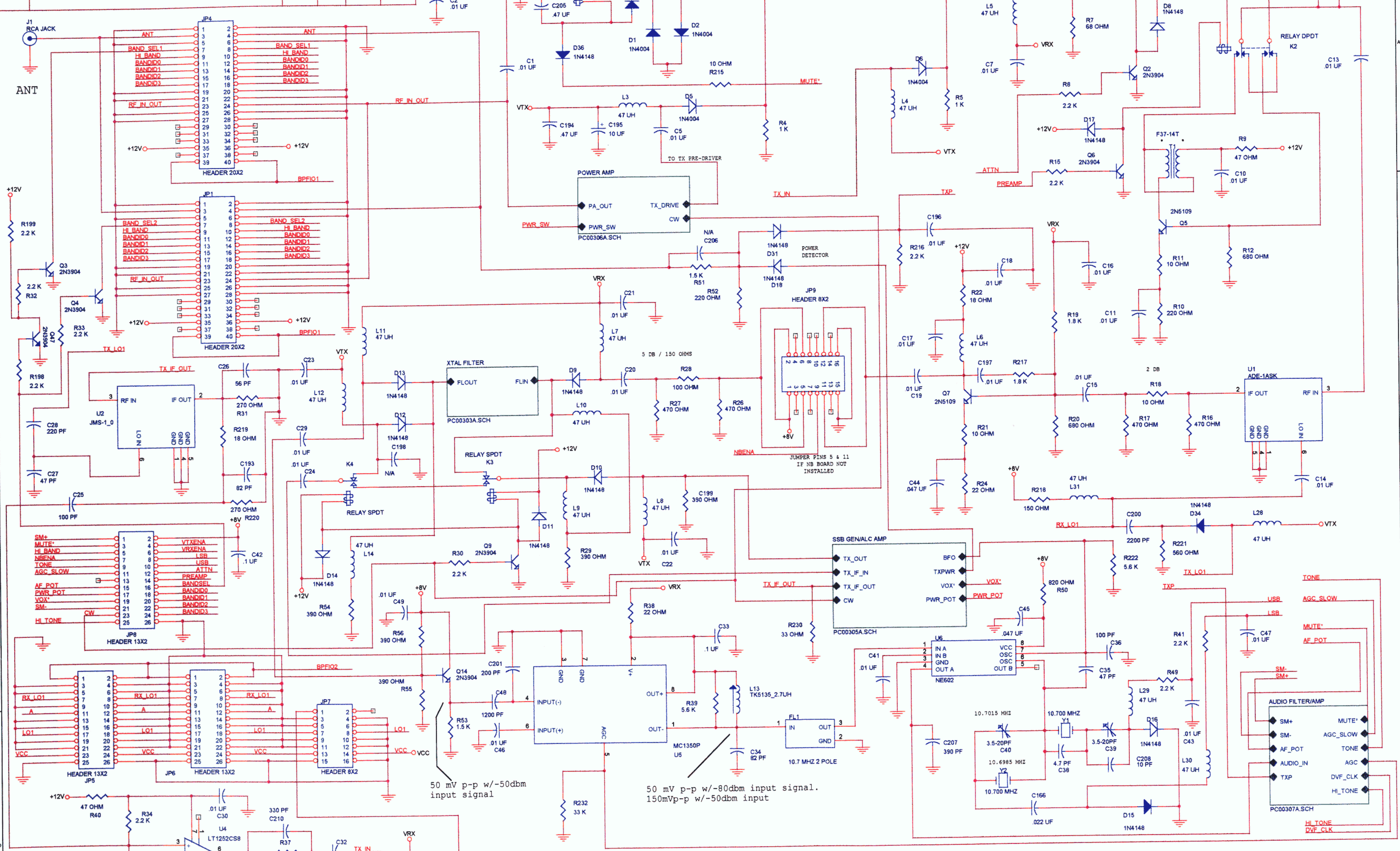


REVISIONS					
REV	DESCRIPTION	E.C.	BY	APVD	DATE



50 mV p-p w/-50dbm input signal.

50 mV p-p w/-80dbm input signal.

150mVp-p w/-50dbm input

THE DWG. AND SPECIFICATION CONTAINED HEREON ARE PROPRIETARY AND MUST NOT BE USED, COPIED, REPRODUCED OR OTHERWISE DEALT WITH NOR ITS CONTENTS COMMUNICATED TO OTHERS EXCEPT IN ACCORDANCE WITH WRITTEN INSTRUCTIONS RECEIVED FROM PATCOMM CORPORATION.

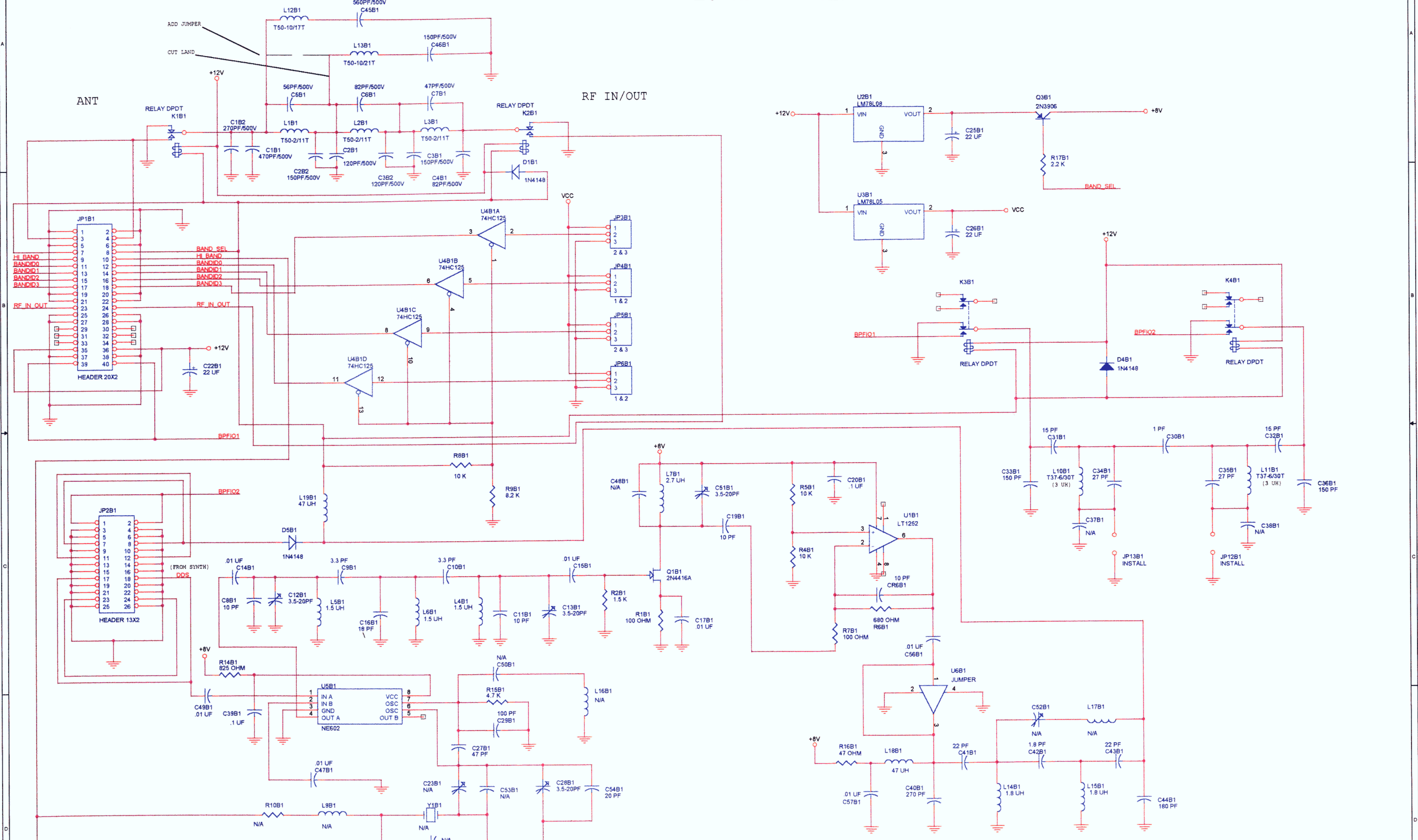
APPROVALS	DATE
DRAWN F.D.	05/21/00

PATCOMM CORPORATION ST. JAMES, NEW YORK	
Title	PC-500 MAIN RF BOARD
Size C	Document Number PC00300A.SCH
Date	Tuesday, August 07, 2001
Sheet	1 of 5

NEXT ASSY USED ON

REVISIONS					
REV	DESCRIPTION	E.C.	BY	APVD	DATE

20 METER BAND MODULE

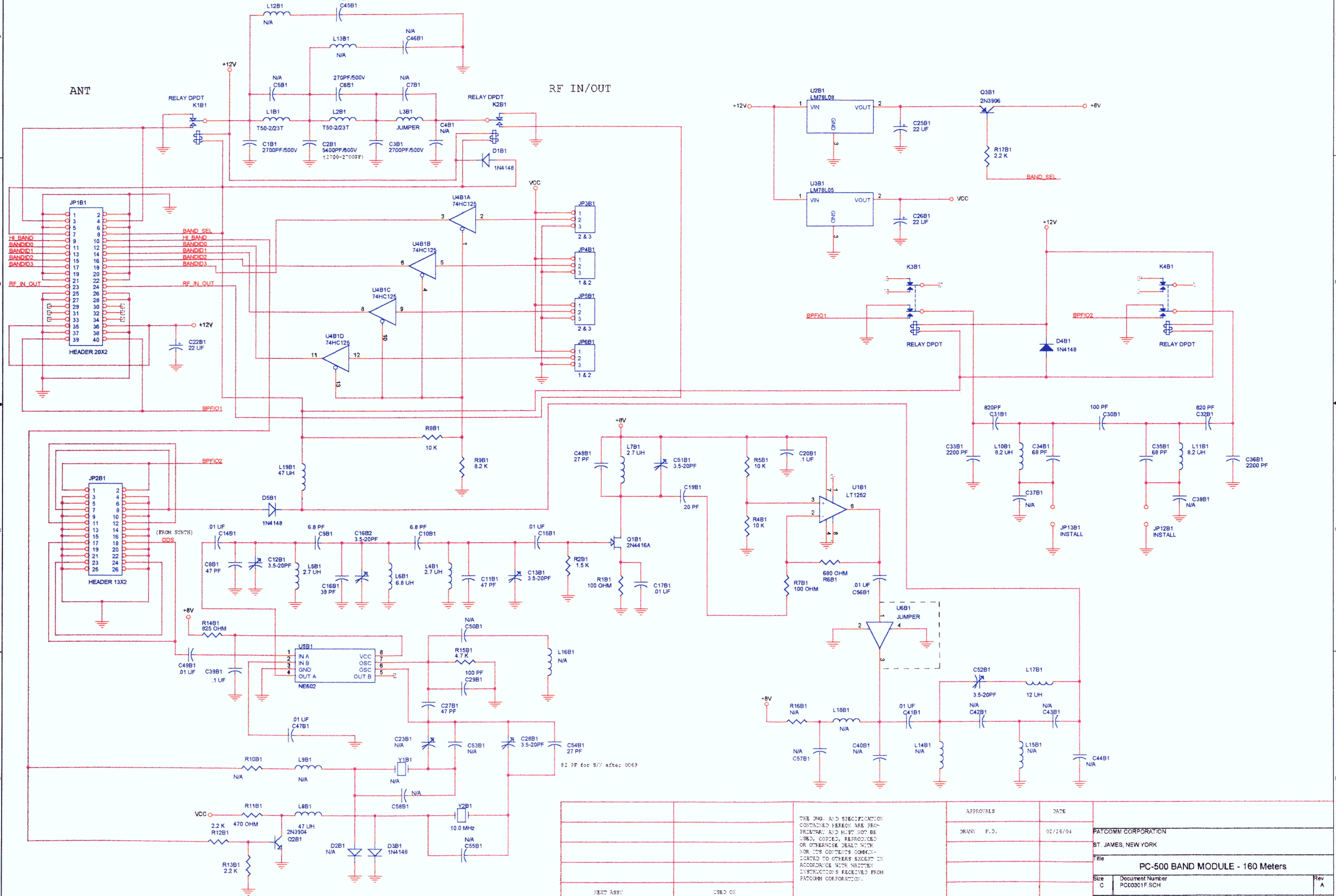


		APPROVALS	DATE	PATCOMM CORPORATION ST. JAMES, NEW YORK
NEXT ASSY	USED ON	DRAWN F.D.	02/26/01	Title PC-500 BAND MODULE - 20 Meters
				Size C Document Number PC00301E SCH
				Date: Friday, August 30, 2002 Sheet 1 of 1

THE DWG. AND SPECIFICATION CONTAINED HEREON ARE PROPRIETARY AND MUST NOT BE USED, COPIED, REPRODUCED OR OTHERWISE DEALT WITH NOR ITS CONTENTS COMMUNICATED TO OTHERS EXCEPT IN ACCORDANCE WITH WRITTEN INSTRUCTIONS RECEIVED FROM PATCOMM CORPORATION.

REV	DESCRIPTION	E.C.	BY	APP'D	DATE

160 METER BAND MODULE



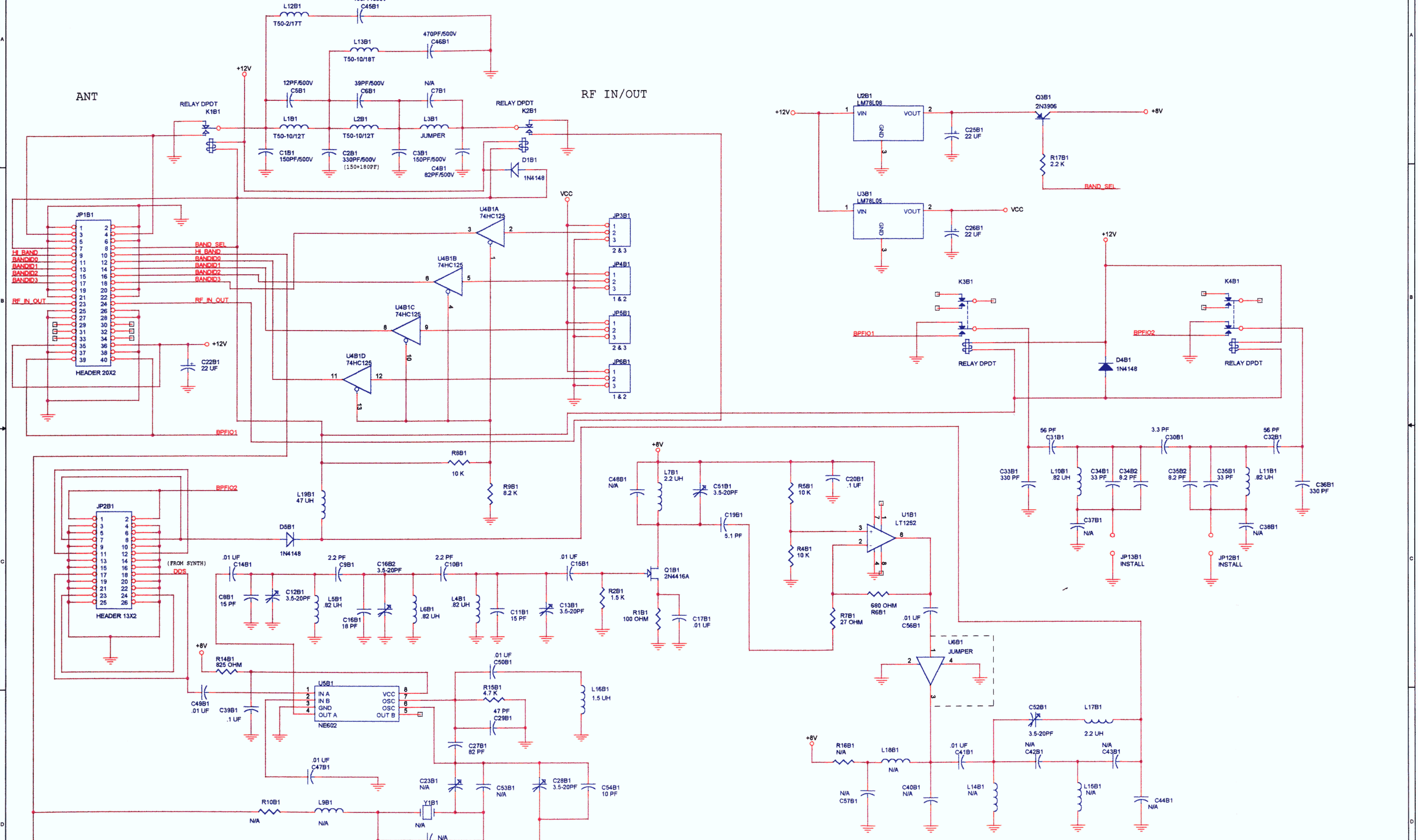
APPROVALS	DATE	FILE
JRANON E.L.D.	02/25/04	PATCOMM CORPORATION ST. JAMES, NEW YORK
		File PC-500 BAND MODULE - 160 Meters
		Size C Document Number PC00301F.SCH
		Date Sunday, February 29, 2004 Sheet 1 of 1

THE DIM. AND SPECIFICATION
CONTAINED HEREON ARE PRO-
PRIETARY AND MUST NOT BE
USED, COPIED, REPRODUCED
OR OTHERWISE DEALT WITH
WITHOUT THE EXPRESS CONSENT
OF PATCOMM CORPORATION.

NEXT ASSY: USED ON:

REVISIONS					
REV	DESCRIPTION	E.C.	BY	AFVD	DATE

17 METER BAND MODULE



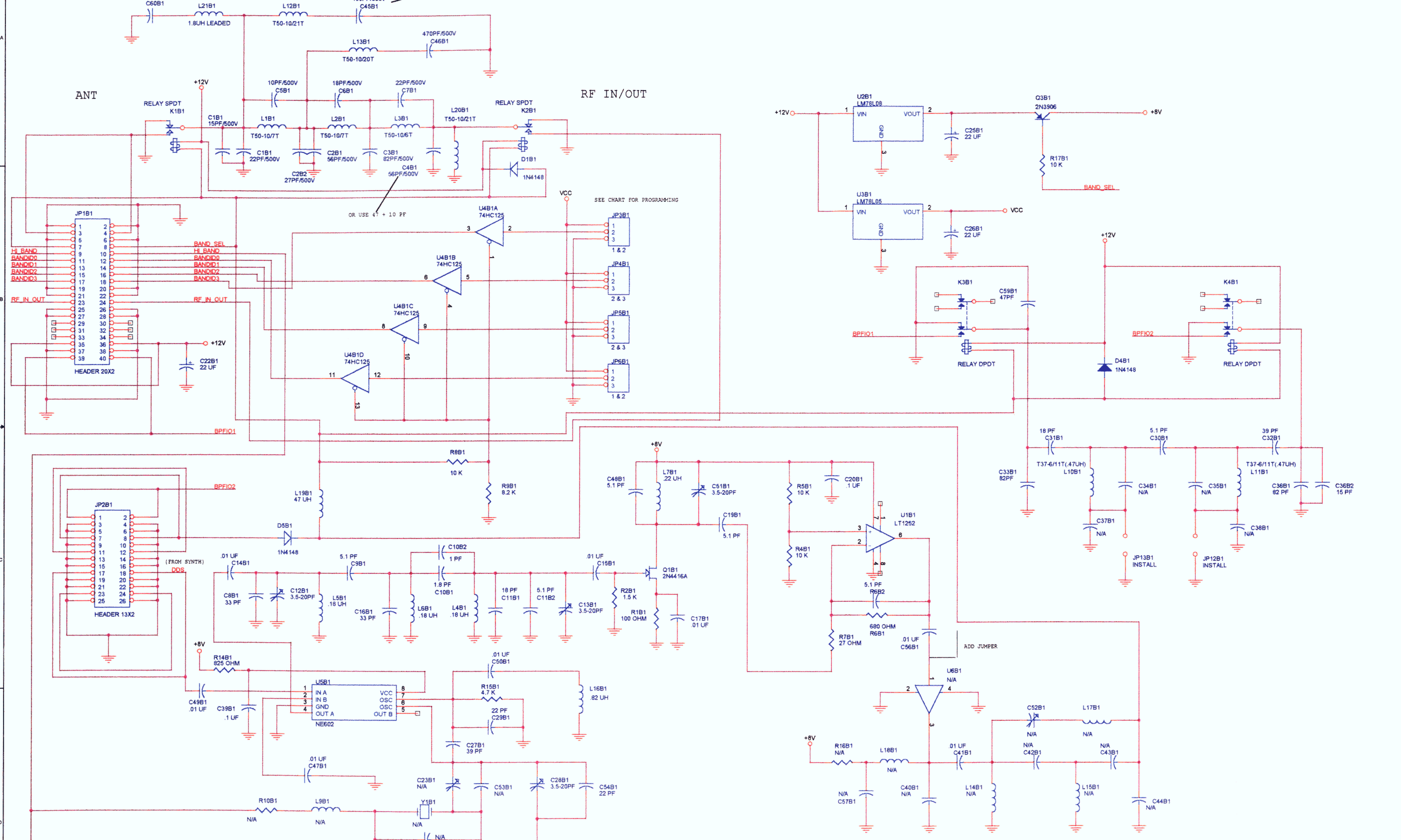
NEXT ASSY	USED ON

THE DWG. AND SPECIFICATION CONTAINED HEREON ARE PROPRIETARY AND MUST NOT BE USED, COPIED, REPRODUCED OR OTHERWISE DEALT WITH NOR ITS CONTENTS COMMUNICATED TO OTHERS EXCEPT IN ACCORDANCE WITH WRITTEN INSTRUCTIONS RECEIVED FROM PATCOMM CORPORATION.

APPROVALS	DATE	PATCOMM CORPORATION ST. JAMES, NEW YORK
DRAWN F. D.	02/26/01	
Title		PC-500 BAND MODULE - 17 Meters
Size C	Document Number PC00301F.SCH	Rev A
Date: Tuesday, April 24, 2001	Sheet 1 of 1	

REVISIONS					
REV	DESCRIPTION	E.C.	BY	APVD	DATE

6 METER BAND MODULE



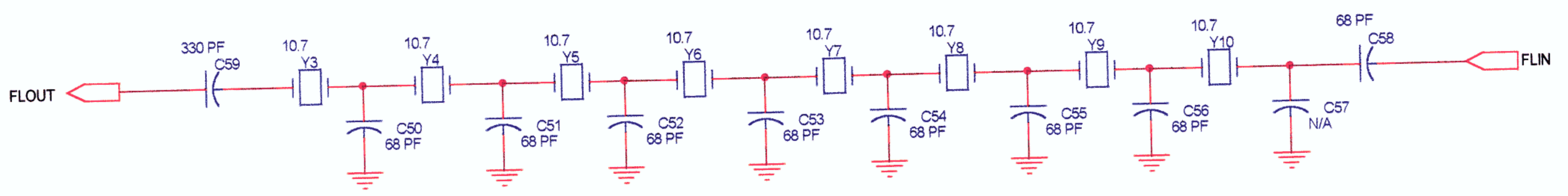
SEE CHART FOR PROGRAMMING

APPROVALS	DATE	PATCOMM CORPORATION ST. JAMES, NEW YORK
DRAWN F. D.	05/29/00	
Title		PC-500 BAND MODULE - 6 Meters
Size	Document Number	Rev
C	PC00301J.SCH	A
Date:	Friday, September 07, 2001	Sheet 1 of 1

THE DWS, AND SPECIFICATION CONTAINED HEREON ARE PROPRIETARY AND MUST NOT BE USED, COPIED, REPRODUCED OR OTHERWISE DEALT WITH NOR ITS CONTENTS COMMUNICATED TO OTHERS EXCEPT IN ACCORDANCE WITH WRITTEN INSTRUCTIONS RECEIVED FROM PATCOMM CORPORATION.

NEXT ASSY USED ON

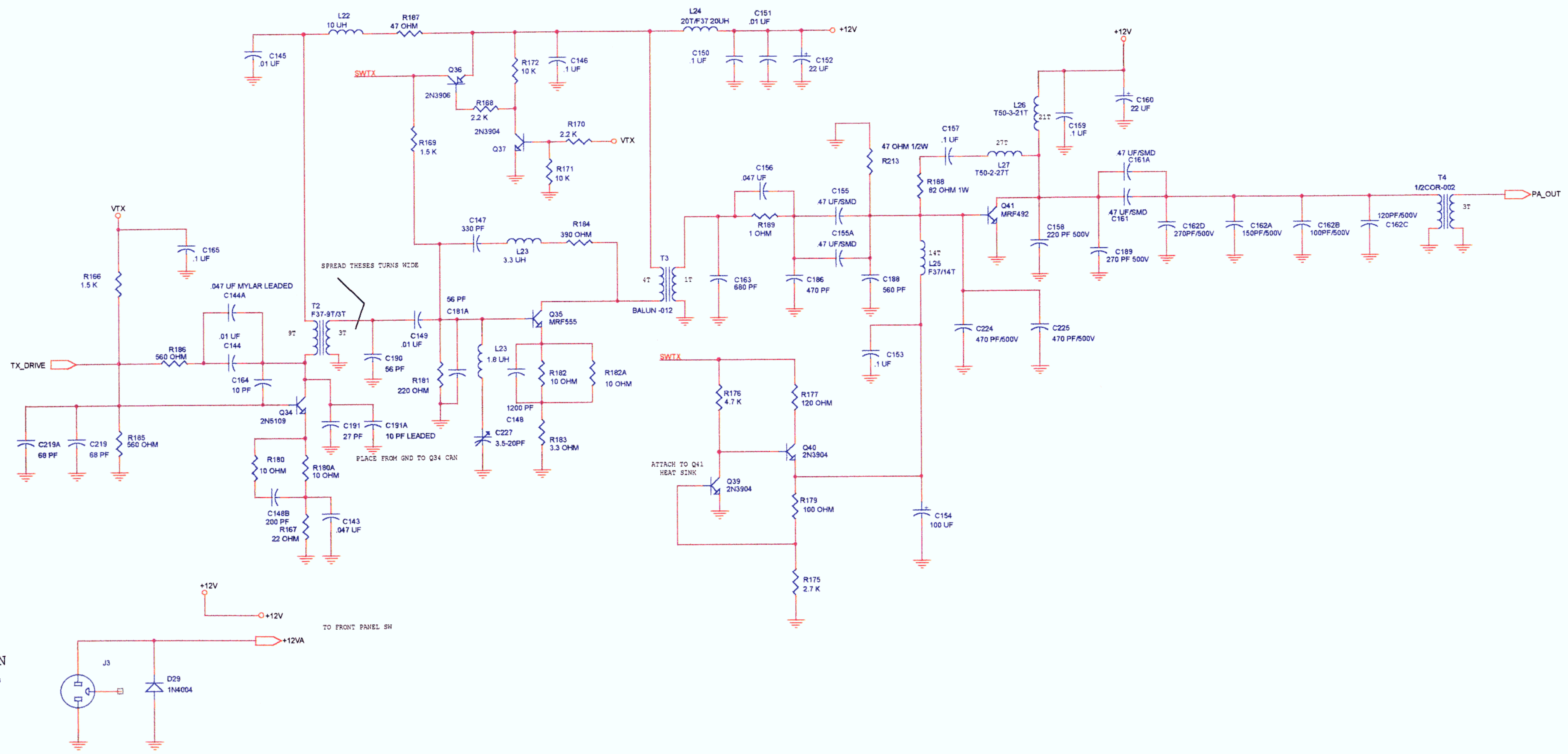
REVISIONS					
REV	DESCRIPTION	E.C.	BY	APVD	DATE



NOTE:
 1> FOR 5 POLE FILTER REMOVE Y3, Y4 AND Y5
 ADD JUMPER FROM Y3 TO Y5 AND REMOVE C52
 2> FOR S/N's LATER THAN 0069, C50 - C57 ARE 150 PF

NEXT ASSY	USED ON	THE DWG. AND SPECIFICATION CONTAINED HEREON ARE PROPRIETARY AND MUST NOT BE USED, COPIED, REPRODUCED OR OTHERWISE DEALT WITH NOR ITS CONTENTS COMMUNICATED TO OTHERS EXCEPT IN ACCORDANCE WITH WRITTEN INSTRUCTIONS RECEIVED FROM PATCOMM CORPORATION.	APPROVALS	DATE	PATCOMM CORPORATION ST. JAMES, NEW YORK Title PC-500 CRYSTAL FILTER Size B Document Number PC00303A.SCH Date: Thursday, April 03, 2003
			DRAWN F.D.	06/09/00	
			Sheet 2 of 5 Rev A		

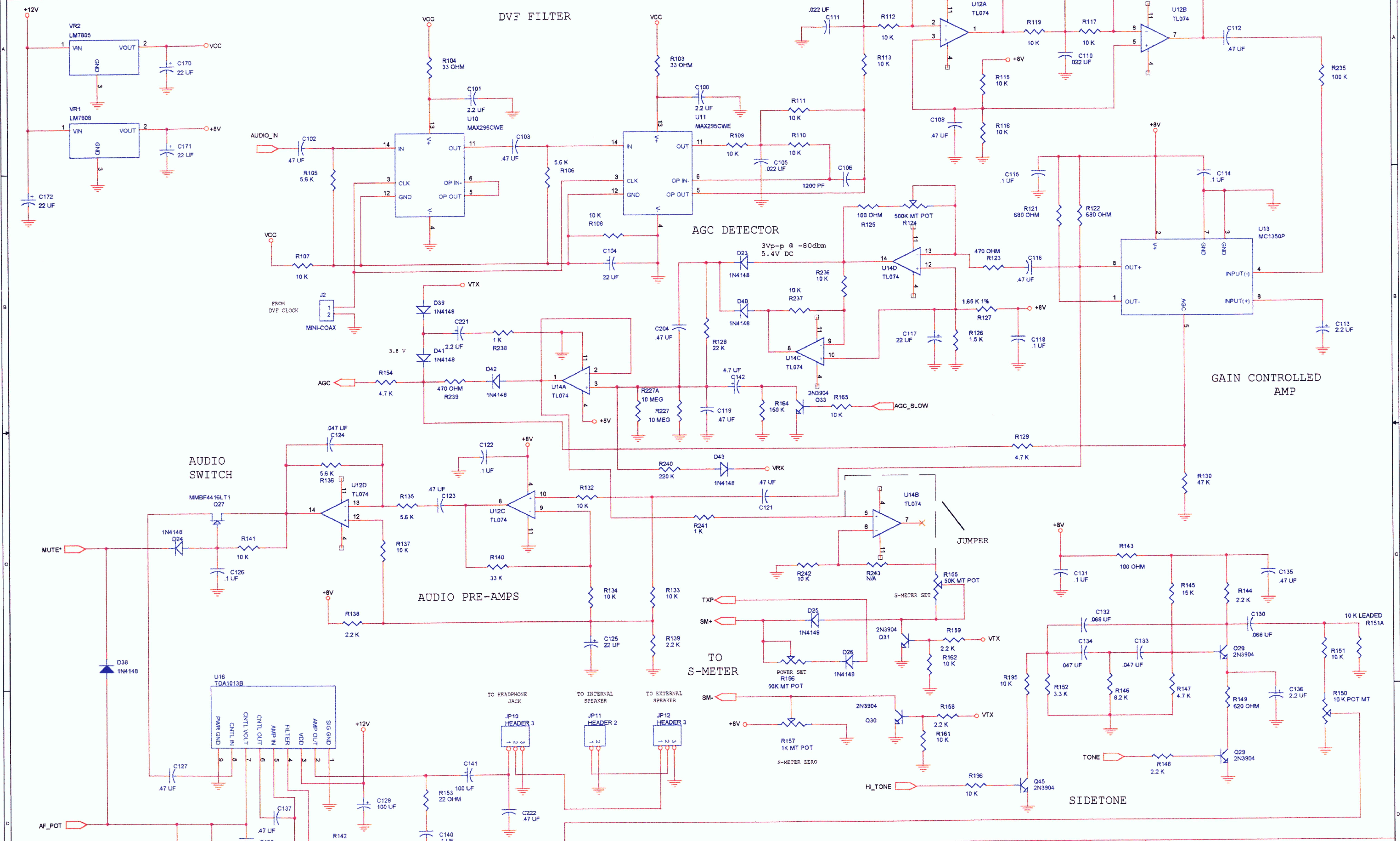
REVISIONS					
REV	DESCRIPTION	E.C.	BY	APVD	DATE



13.8 VDC IN
2 PIN POWER PLUG

		THE DWG. AND SPECIFICATION CONTAINED HEREON ARE PROPRIETARY AND MUST NOT BE USED, COPIED, REPRODUCED OR OTHERWISE DEALT WITH NOR ITS CONTENTS COMMUNICATED TO OTHERS EXCEPT IN ACCORDANCE WITH WRITTEN INSTRUCTIONS RECEIVED FROM PATCOMM CORPORATION.	APPROVALS	DATE	PATCOMM CORPORATION ST. JAMES, NEW YORK File PC-500 POWER AMPLIFIER Size C Document Number PC00306A.SCH Rev A Date: Tuesday, August 07, 2001 Sheet 4 of 5
			DRAWN F.D.	06/08/00	
NEXT ASSY	USED ON				

REVISIONS					
REV	DESCRIPTION	E.C.	BY	APVD	DATE

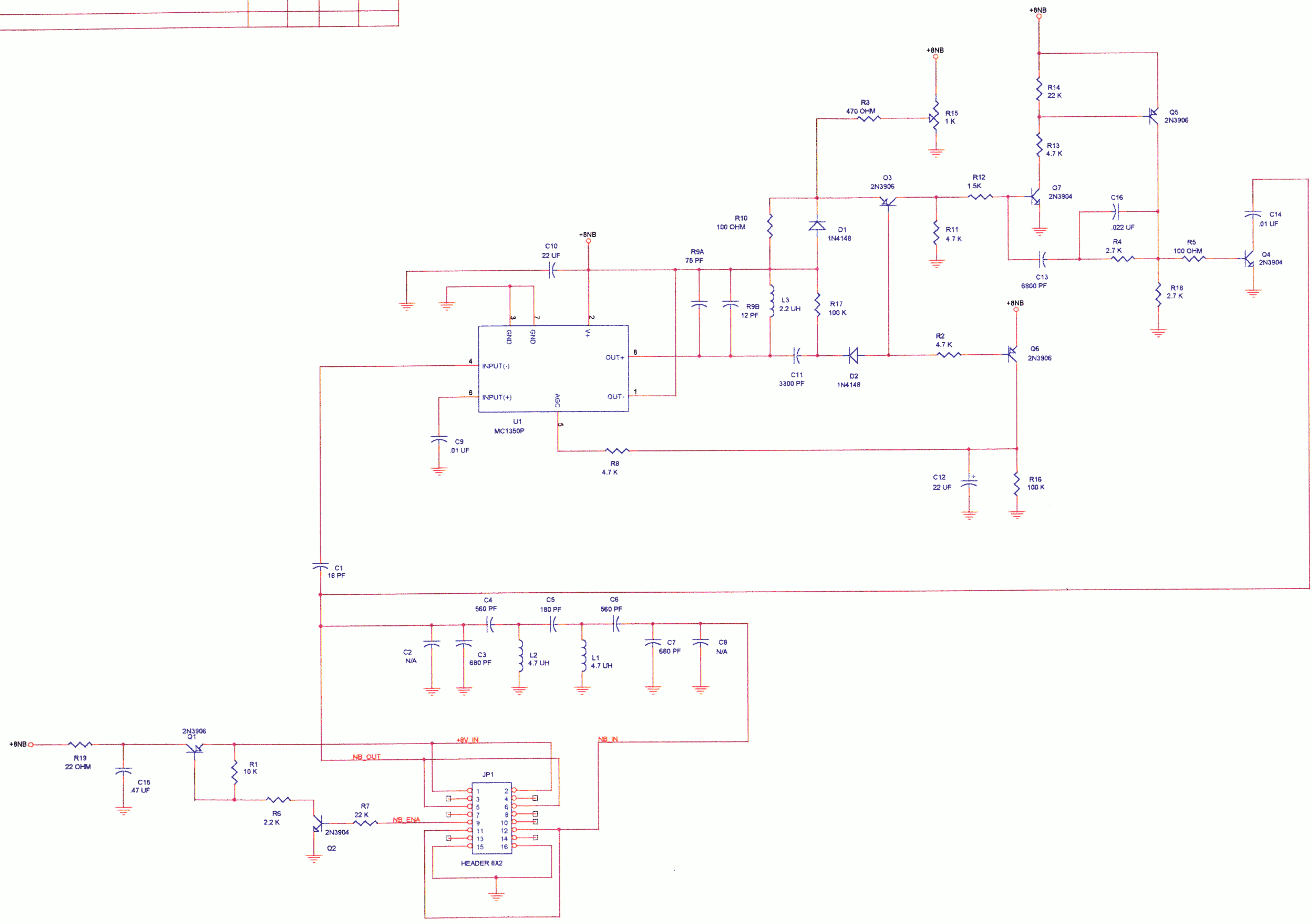


APPROVALS	DATE	PATCOMM CORPORATION ST. JAMES, NEW YORK
DRAWN F.D.	06/05/00	
Title		PC-500 AUDIO FILTER / AMP AND AGC
Size C		Document Number PC00307A.SCH
Date: Tuesday, August 07, 2001		Sheet 5 of 5

THE DWG. AND SPECIFICATION CONTAINED HEREON ARE PROPRIETARY AND MUST NOT BE USED, COPIED, REPRODUCED OR OTHERWISE DEALT WITH NOR ITS CONTENTS COMMUNICATED TO OTHERS EXCEPT IN ACCORDANCE WITH WRITTEN INSTRUCTIONS RECEIVED FROM PATCOMM CORPORATION.

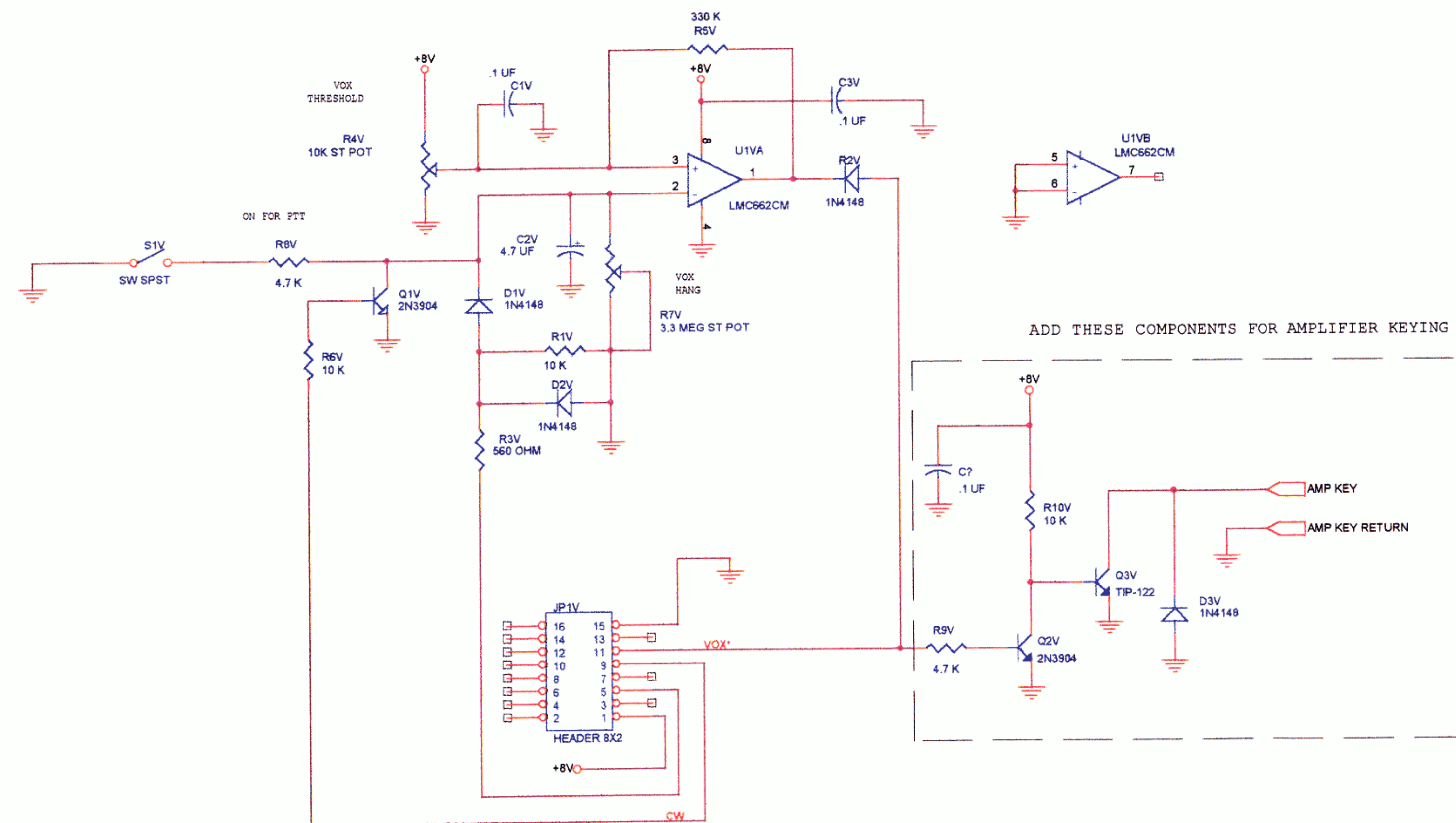
NEXT ASSY USED ON

REVISIONS					
REV	DESCRIPTION	E.C.	BY	APVD	DATE



		THE DWG. AND SPECIFICATION CONTAINED HEREON ARE PROPRIETARY AND MUST NOT BE USED, COPIED, REPRODUCED OR OTHERWISE DEALT WITH NOR ITS CONTENTS COMMUNICATED TO OTHERS EXCEPT IN ACCORDANCE WITH WRITTEN INSTRUCTIONS RECEIVED FROM PATCOMM CORPORATION.	APPROVALS	DATE	PATCOMM CORPORATION ST. JAMES, NEW YORK Title PC-500 NOISE BLANKER MODULE Size C Document Number PC00309A SCH Rev A Date: Wednesday, June 27, 2001 Sheet 1 of 1
			DRAWN F. D.	05/29/00	
NEXT ASSY	USED ON				

REVISIONS					
REV	DESCRIPTION	E.C.	BY	APVD	DATE



		THE DWG. AND SPECIFICATION CONTAINED HEREON ARE PRO- PRIETARY AND MUST NOT BE USED, COPIED, REPRODUCED OR OTHERWISE DEALT WITH NOR ITS CONTENTS COMMUN- ICATED TO OTHERS EXCEPT IN ACCORDANCE WITH WRITTEN INSTRUCTIONS RECEIVED FROM PATCOMM CORPORATION.	APPROVALS	DATE	PATCOMM CORPORATION ST. JAMES, NEW YORK Title PC-500 VOX UNIT Size C Document Number PC00311A.SCH Rev A Date: Thursday, July 26, 2001 Sheet 1 of 1
NEXT ASSY	USED ON				