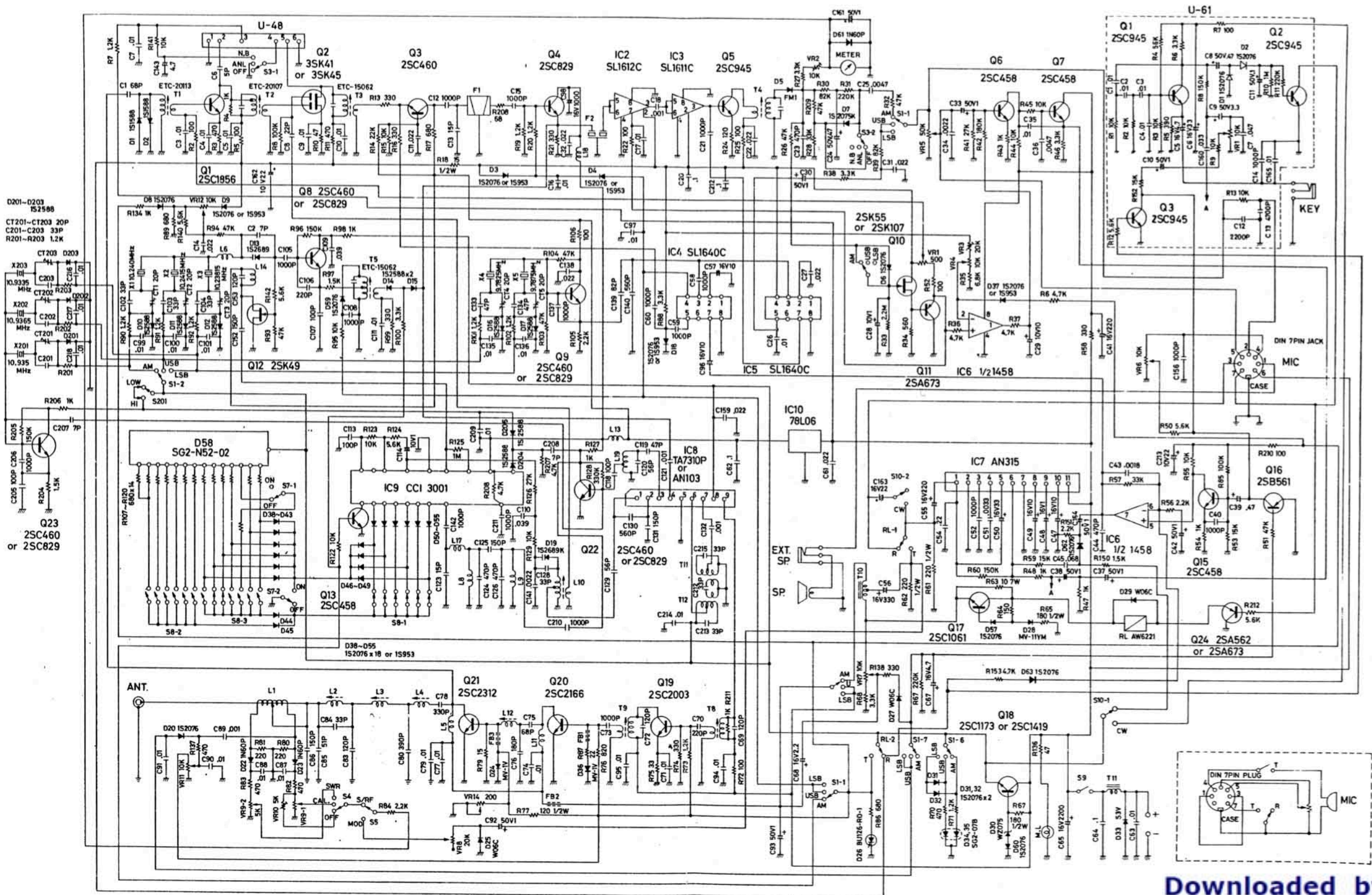


Downloaded by
RadioManual.EU

- ← RX
- TX
- A : AM
- U : USB
- L : LSB



Sommerkamp TS-310 DX - Kanäle und Frequenzen

Kanäle 1 – 40 (LO) f / MHz

1	28,000
2	28,010
3	28,020
-	28,030
4	28,040
5	28,050
6	28,060
7	28,070
-	28,080
8	28,090
9	28,100
10	28,110
11	28,120
-	28,130
12	28,140
13	28,150
14	28,160
15	28,170
-	28,180
16	28,190
17	28,200
18	28,210
19	28,220
-	28,230
20	28,240
21	28,250
22	28,260
23	28,290
24	28,270
25	28,280
26	28,300
27	28,310
28	28,320
29	28,330
30	28,340
31	28,350
32	28,360
33	28,370
34	28,380
35	28,390
36	28,400
37	28,410
38	28,420
39	28,430
40	28,440

Kanäle 1 – 40 (HI) f / MHz

1	28,450
2	28,460
3	28,470
-	28,480
4	28,490
5	28,500
6	28,510
7	28,520
-	28,530
8	28,540
9	28,550
10	28,560
11	28,570
-	28,580
12	28,590
13	28,600
14	28,610
15	28,620
-	28,630
16	28,640
17	28,650
18	28,660
19	28,670
-	28,680
20	28,690
21	28,700
22	28,710
23	28,740
24	28,720
25	28,730
26	28,750
27	28,760
28	28,770
29	28,780
30	28,790
31	28,800
32	28,810
33	28,820
34	28,830
35	28,840
36	28,850
37	28,860
38	28,870
39	28,880
40	28,890

Frequenzlücken sind mit „-“ in der Kanalnummer gekennzeichnet.