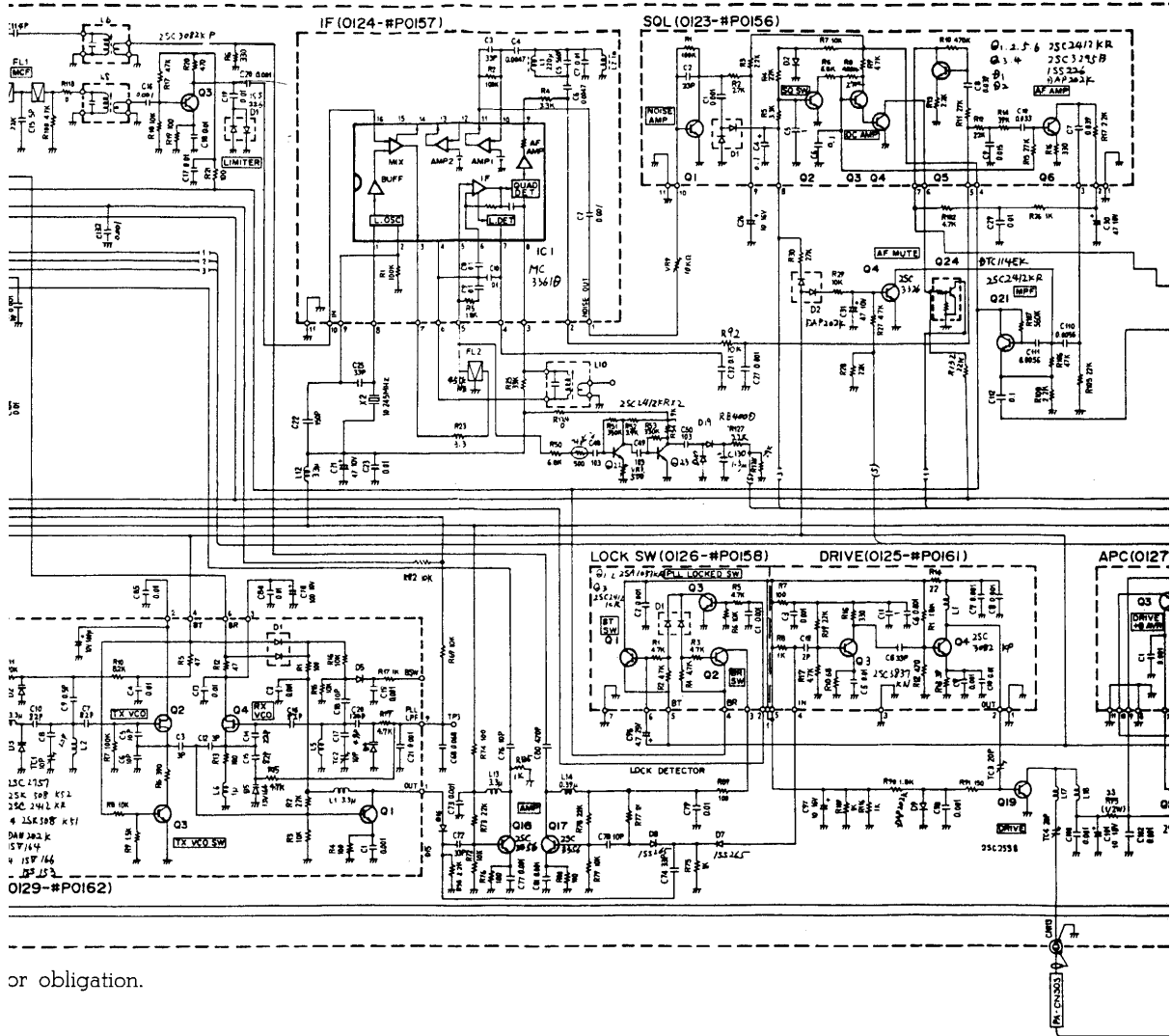
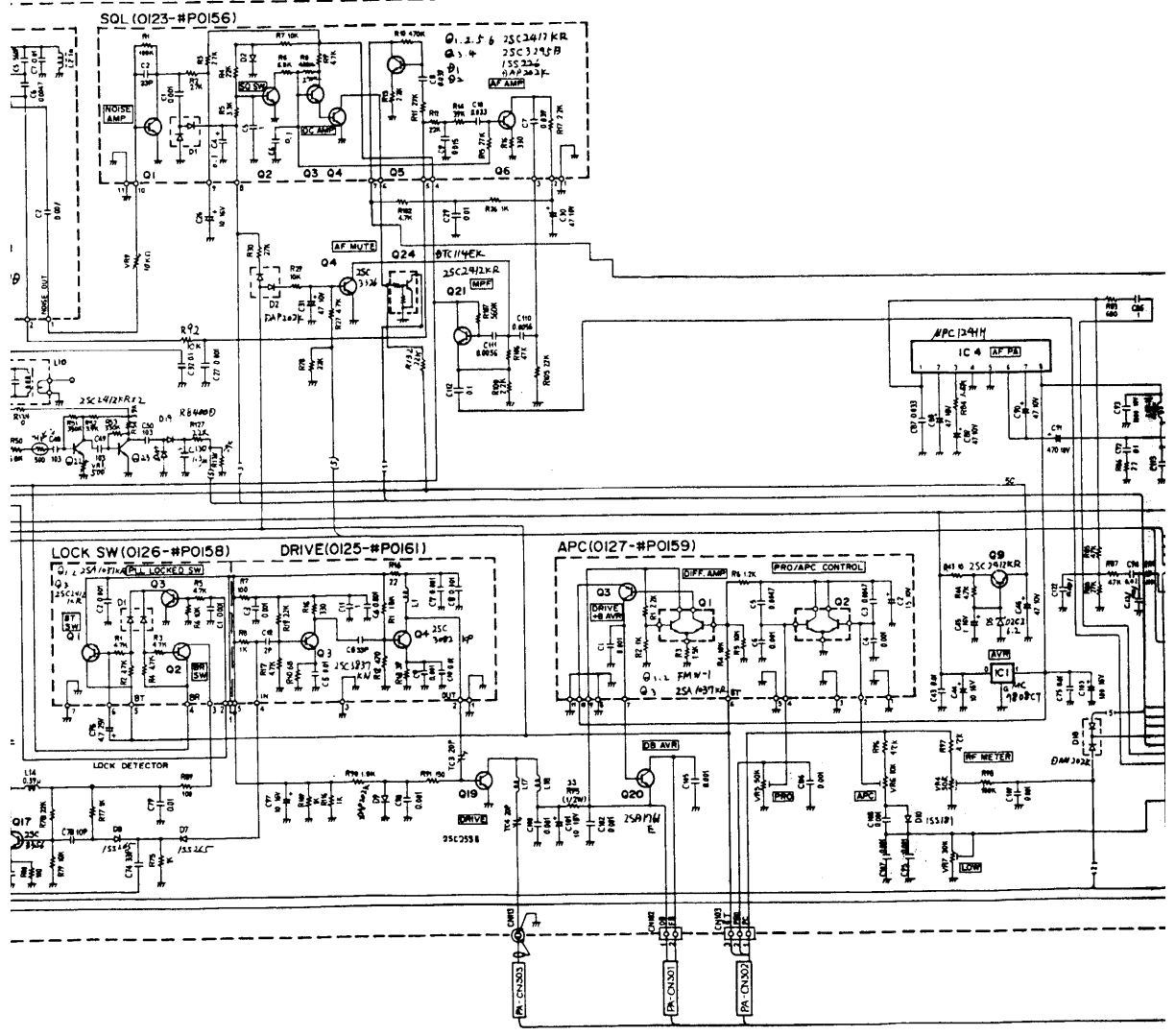


Specifications are subject to change without notice or obligation.

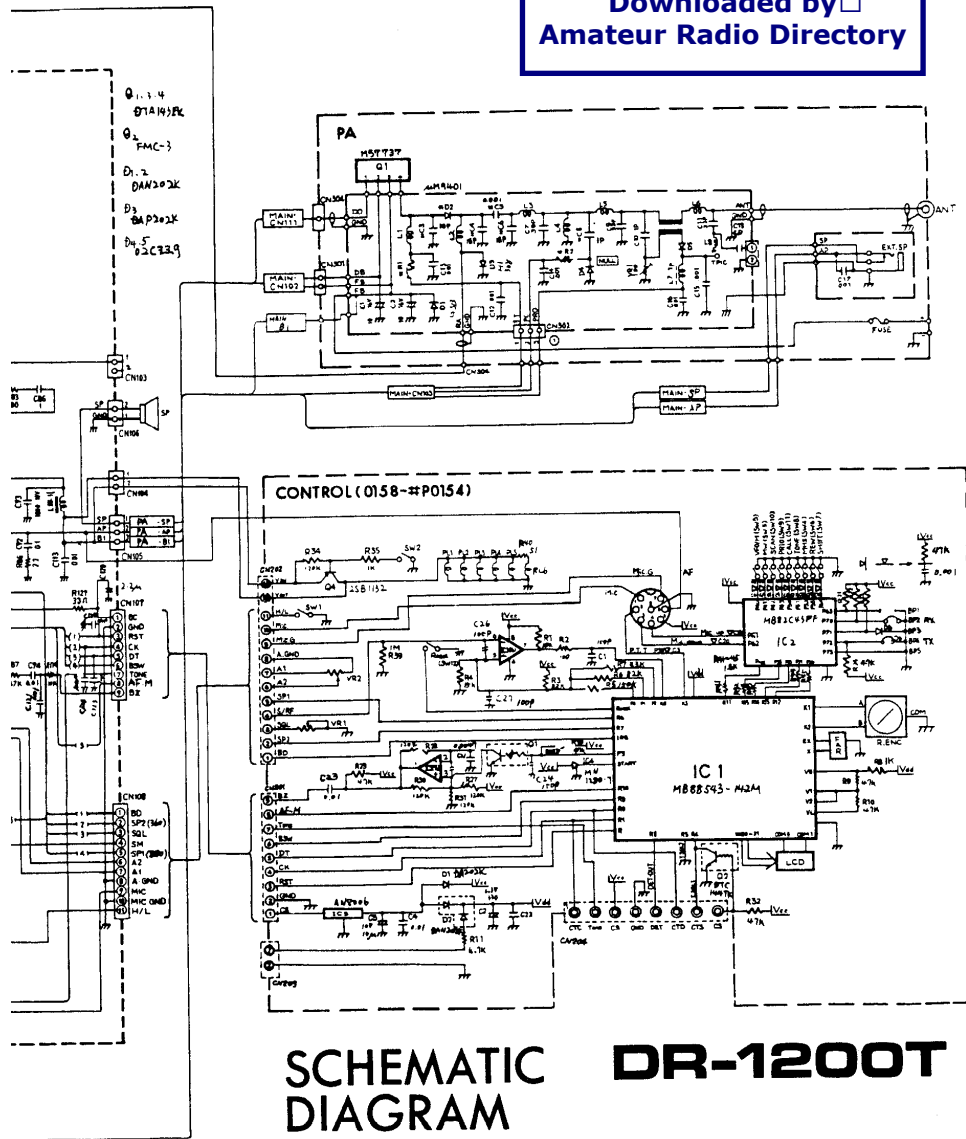
Scanned by IW1AXR
 Downloaded by
 Amateur Radio Directory



or obligation.



Scanned by IW1AXR
 Downloaded by
 Amateur Radio Directory



SCHEMATIC DIAGRAM DR-1200T