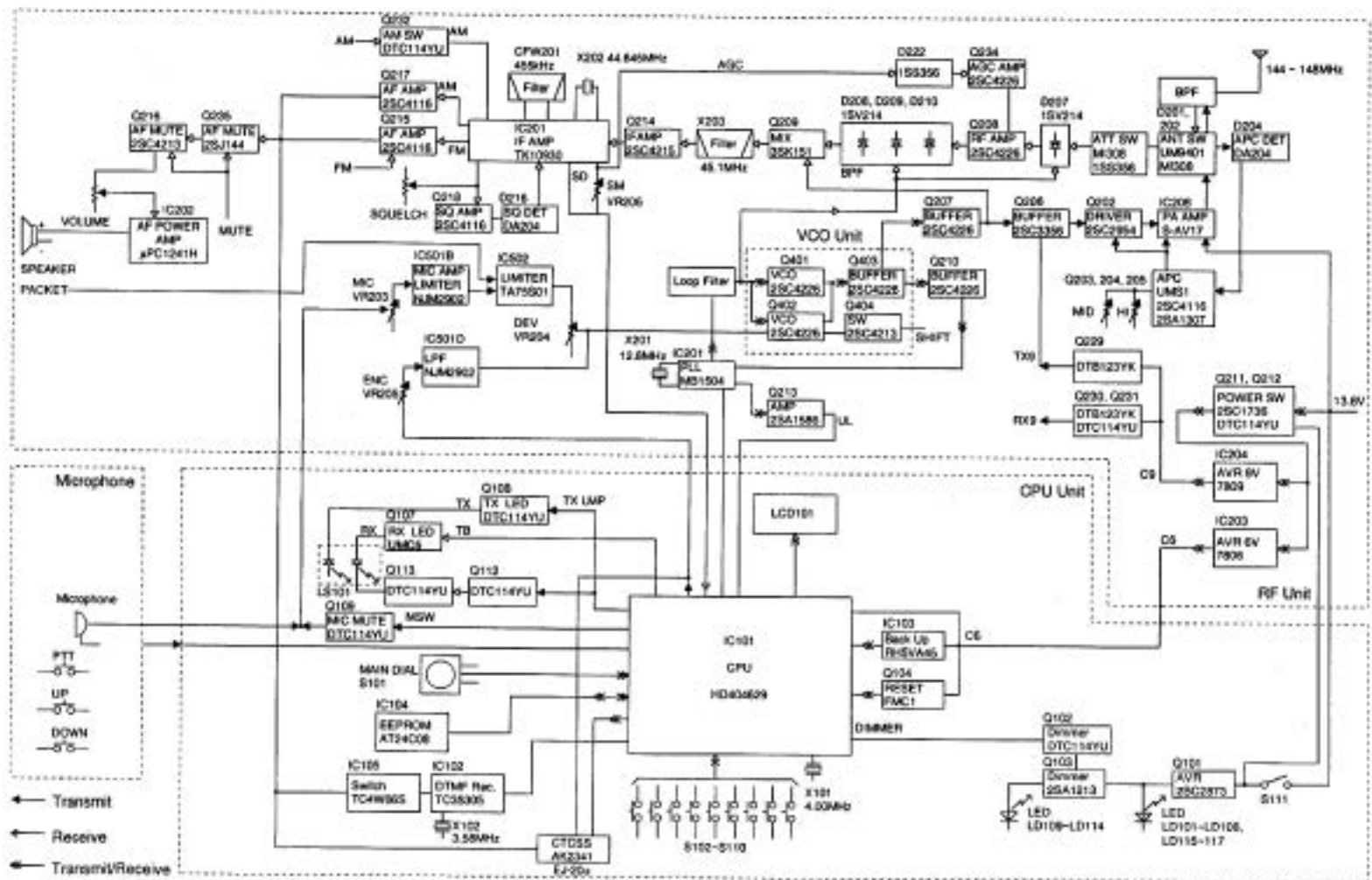
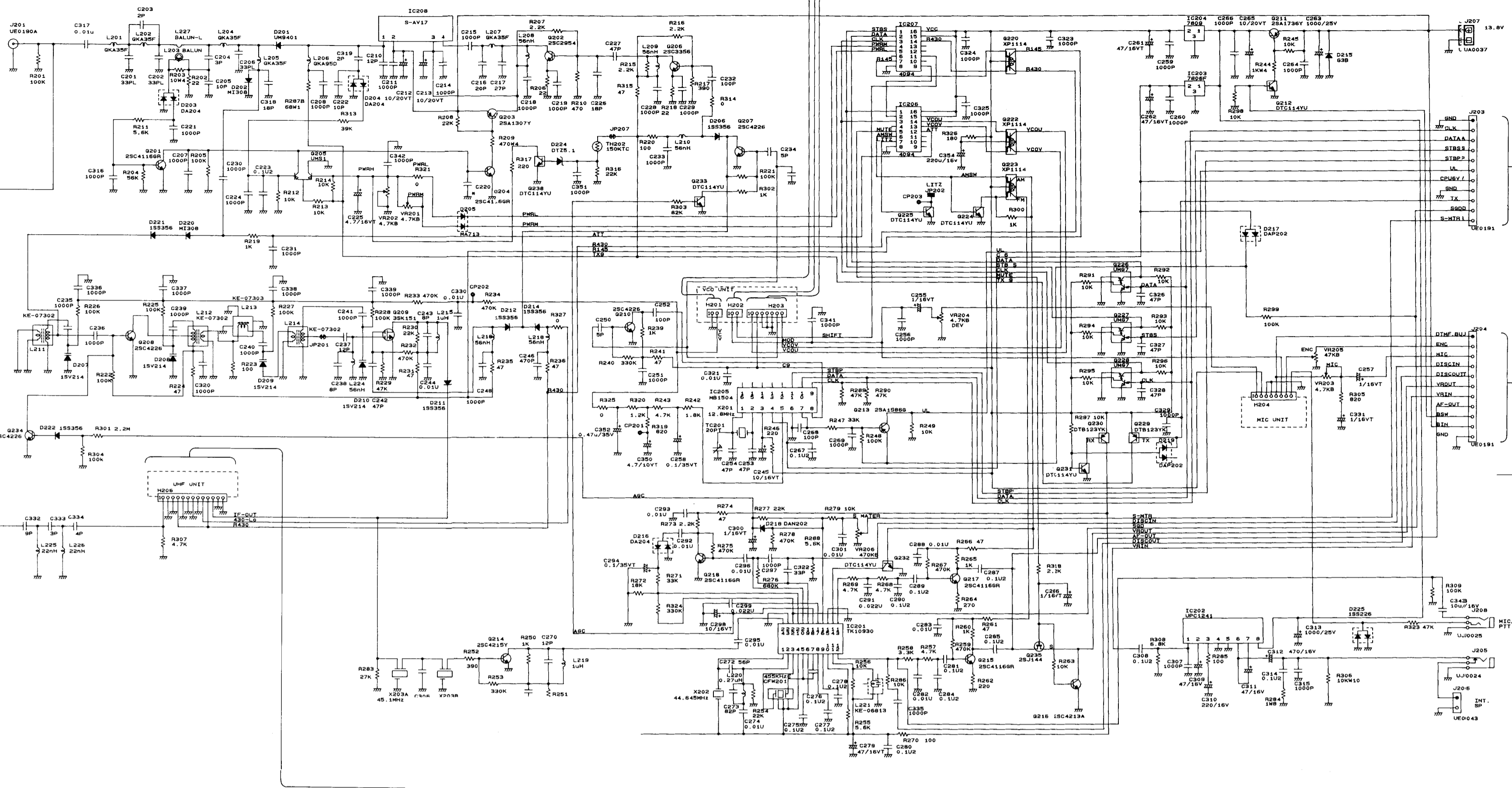


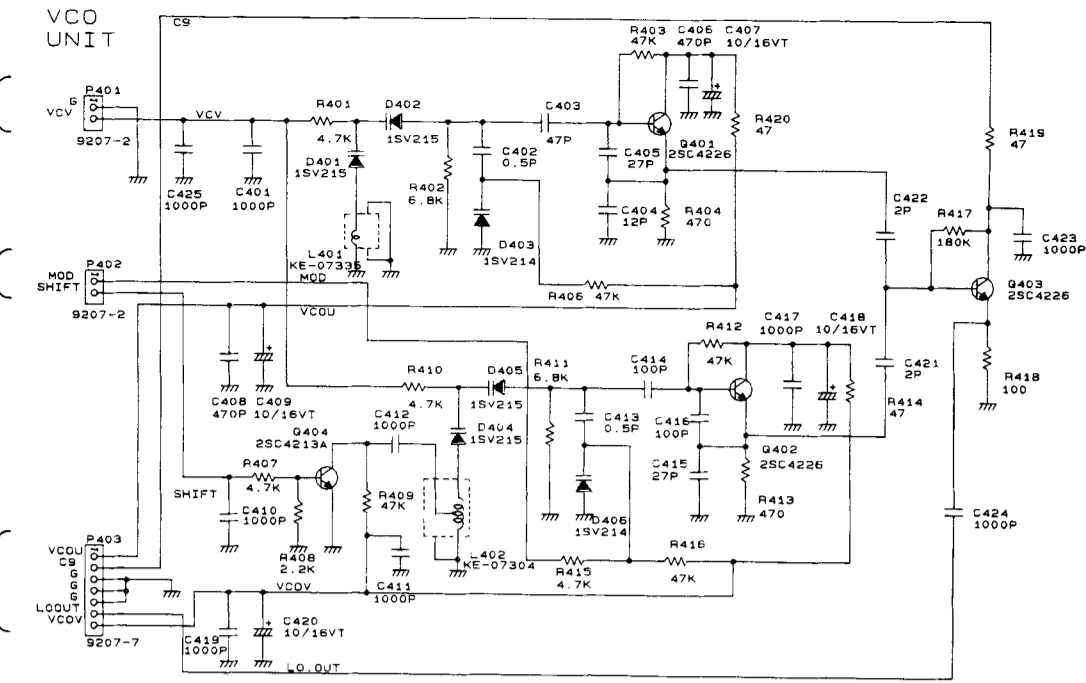
BLOCK DIAGRAM



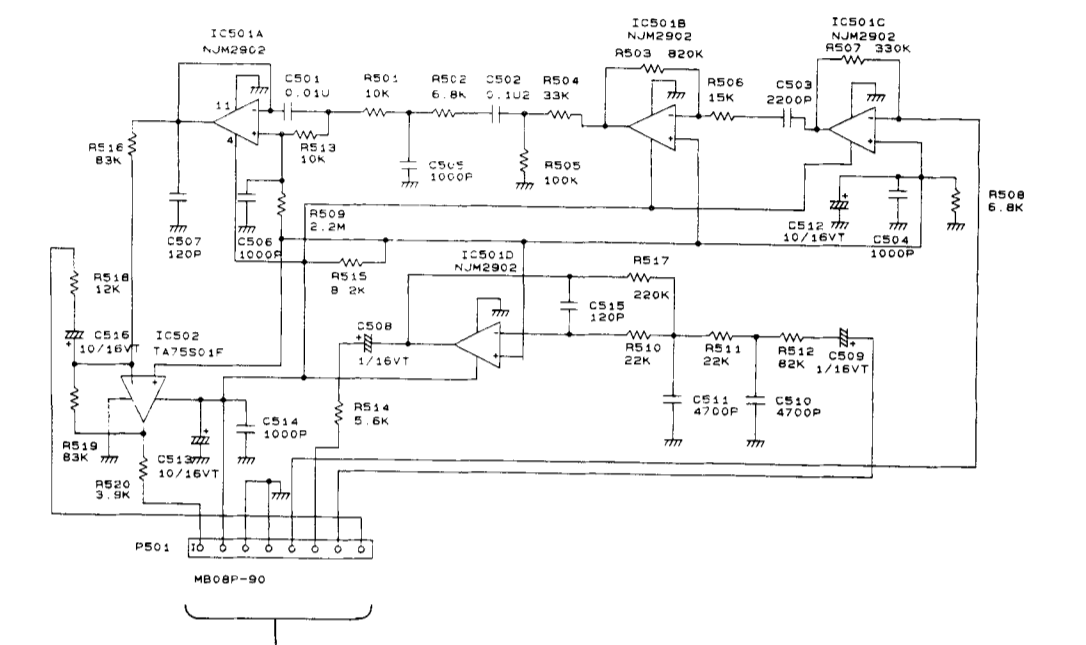
MAIN UNIT



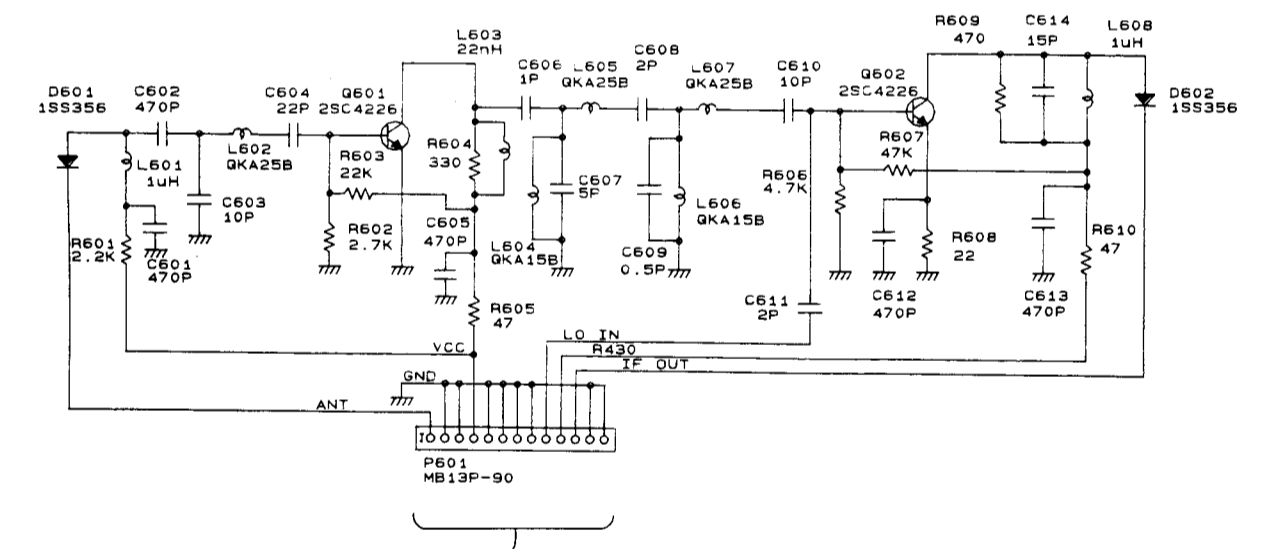
VCO UNIT



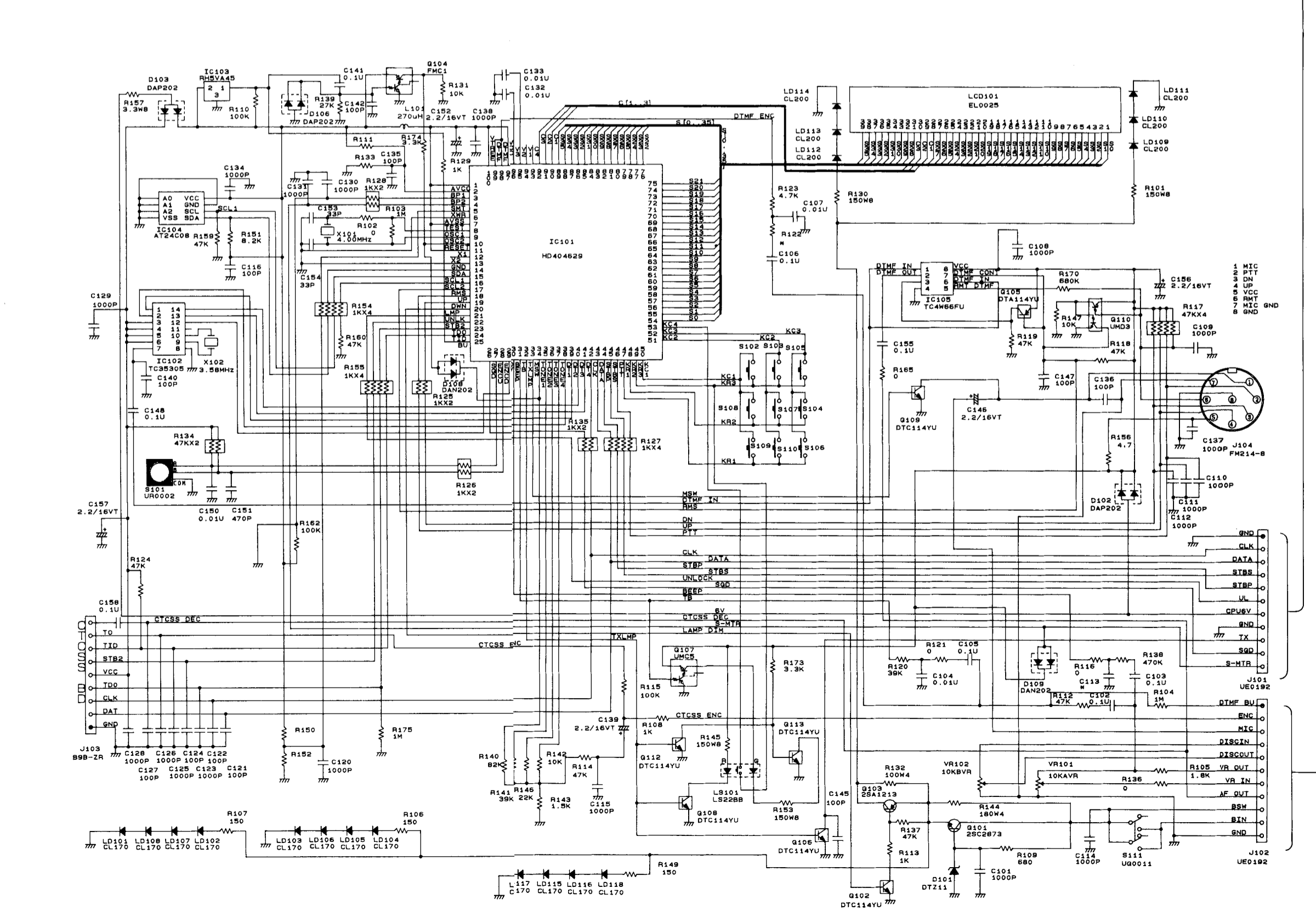
MIC UNIT



UHF UNIT



CPU UNIT



SCHEMATIC DIAGRAM DR-150TE

Specifications are subject to change without notice or obligation.