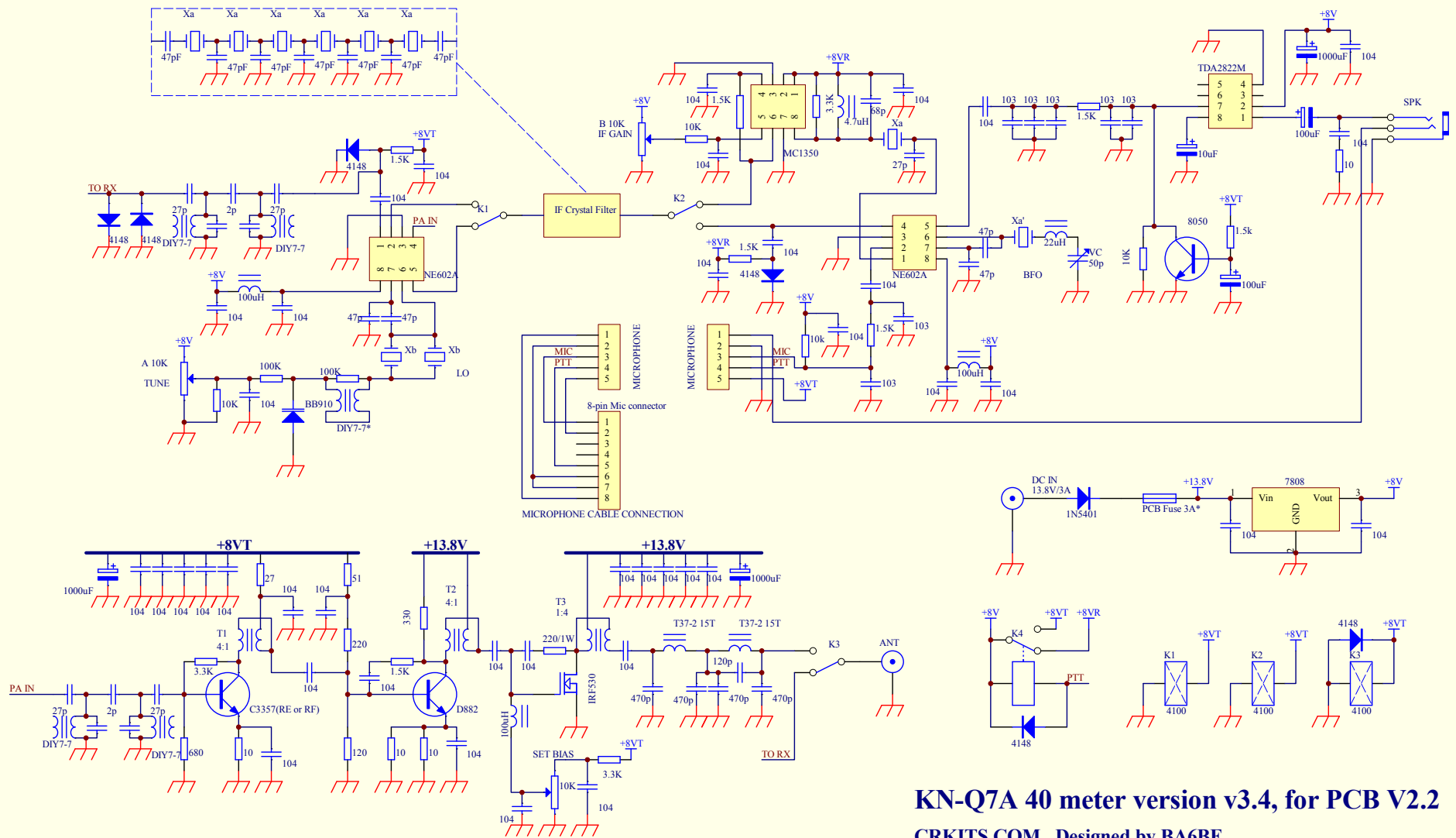


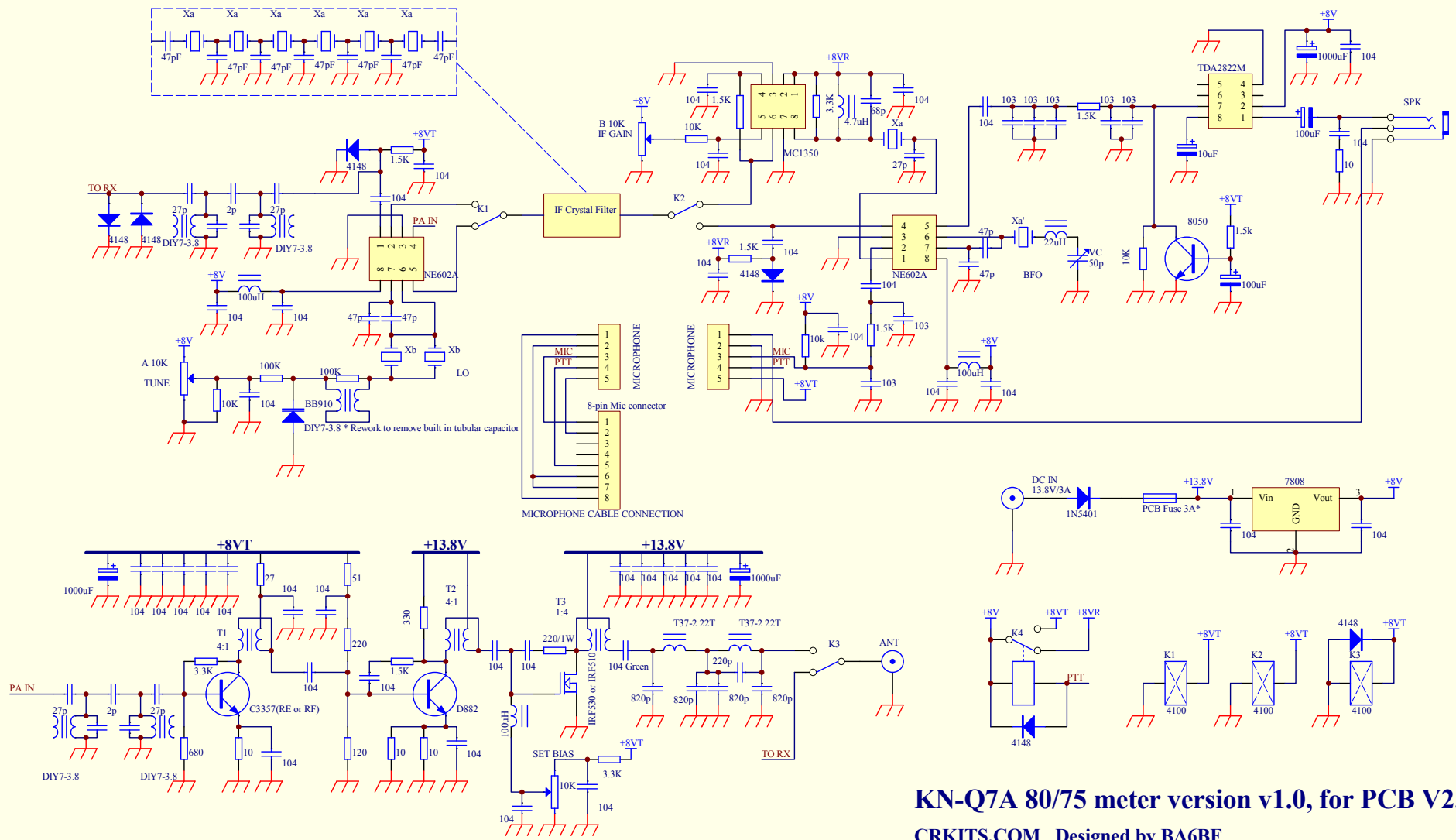
**KN-Q7A 20 meter version V1.2**

**CRKITS.COM** Designed by BA6BF

Mar 4, 2014



**KN-Q7A 40 meter version v3.4, for PCB V2.2**  
**CRKITS.COM** Designed by BA6BF  
**Mar 4, 2014**



**KN-Q7A 80/75 meter version v1.0, for PCB V2.2**

**CRKITS.COM** Designed by BA6BF

Nov 29, 2014

