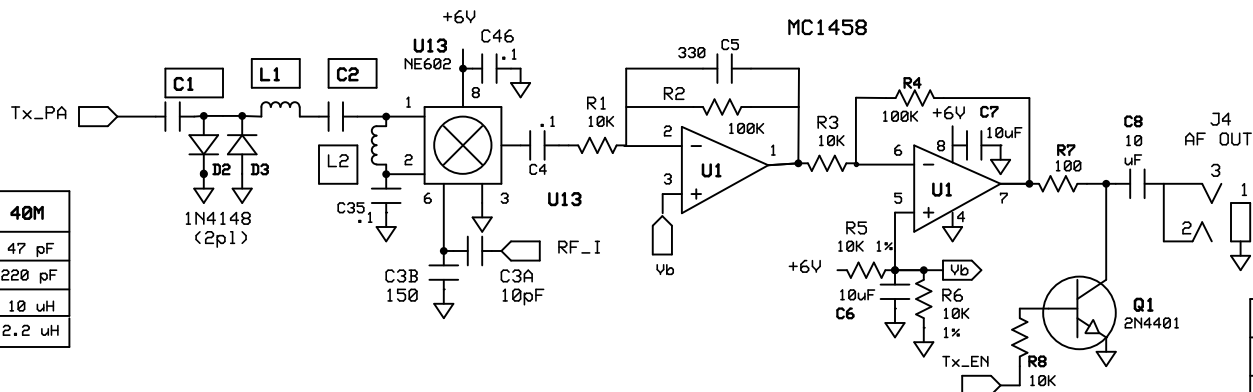
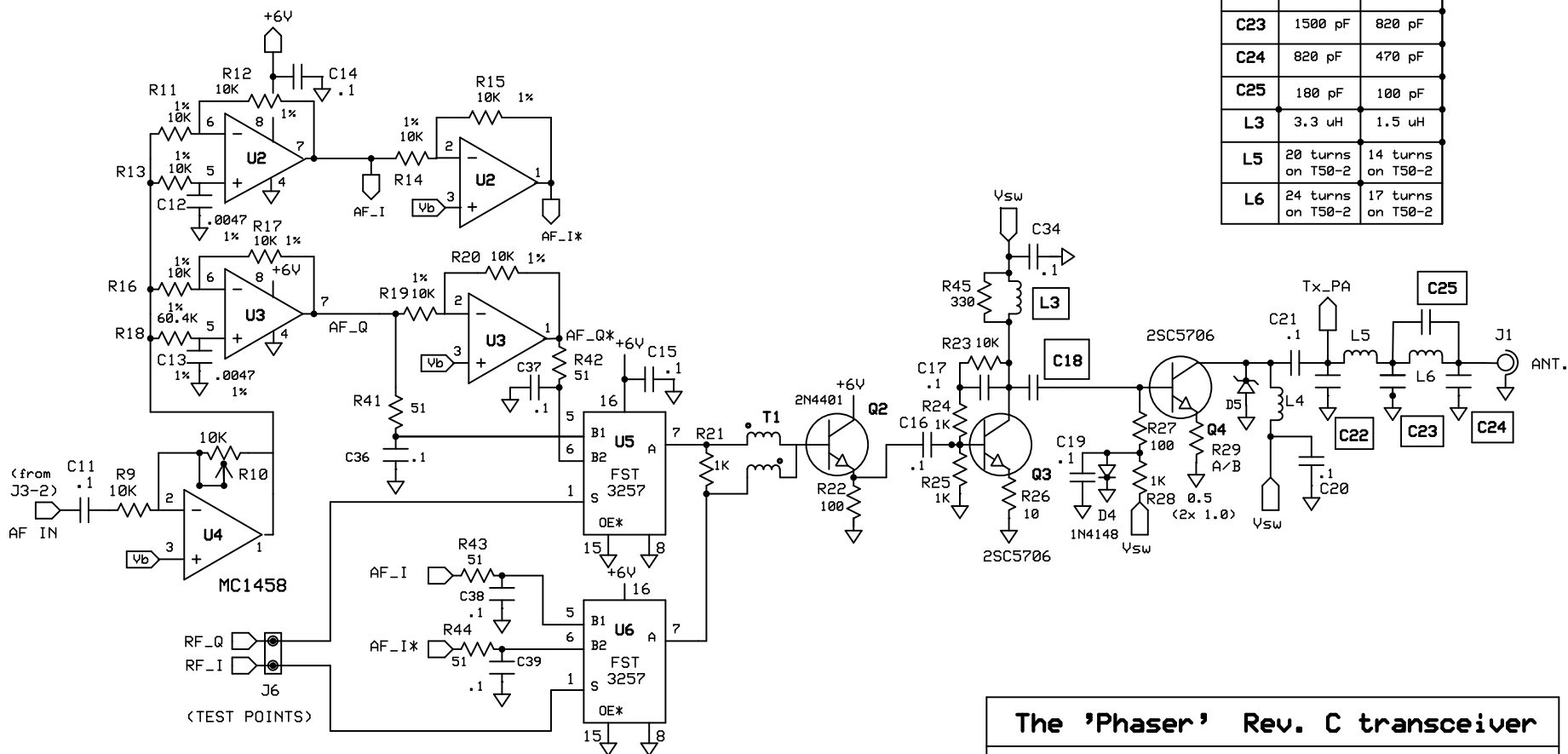


Ref. Des.	80M	40M
C1	100 pF	47 pF
C2	330 pF	220 pF
L1	22 uH	10 uH
L2	4.7 uH	2.2 uH

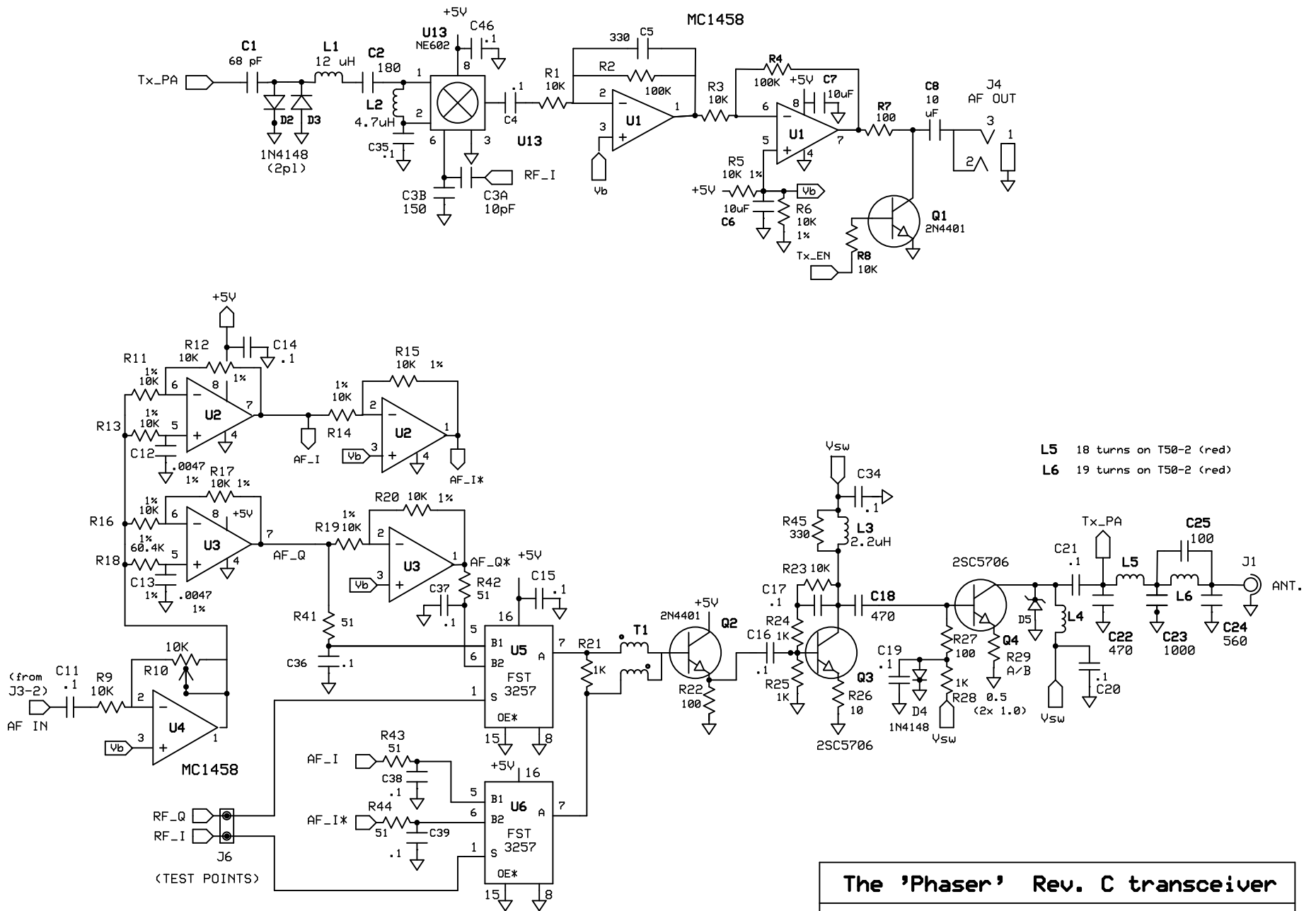


Ref. Des.	80M	40M
C18	680 pF	330 pF
C22	680 pF	330 pF
C23	1500 pF	820 pF
C24	820 pF	470 pF
C25	180 pF	100 pF
L3	3.3 uH	1.5 uH
L5	20 turns on T50-2	14 turns on T50-2
L6	24 turns on T50-2	17 turns on T50-2



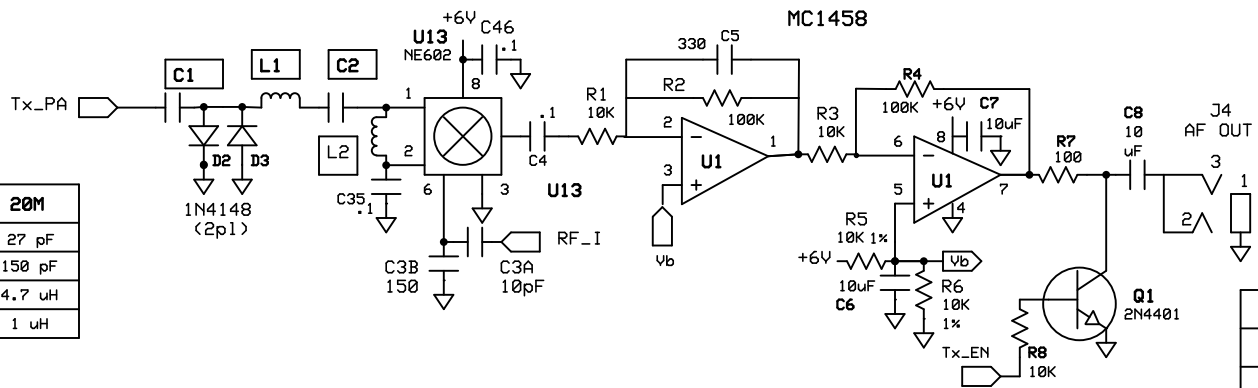
The 'Phaser' Rev. C transceiver

Transmitter/receiver Schematic 80M/40M



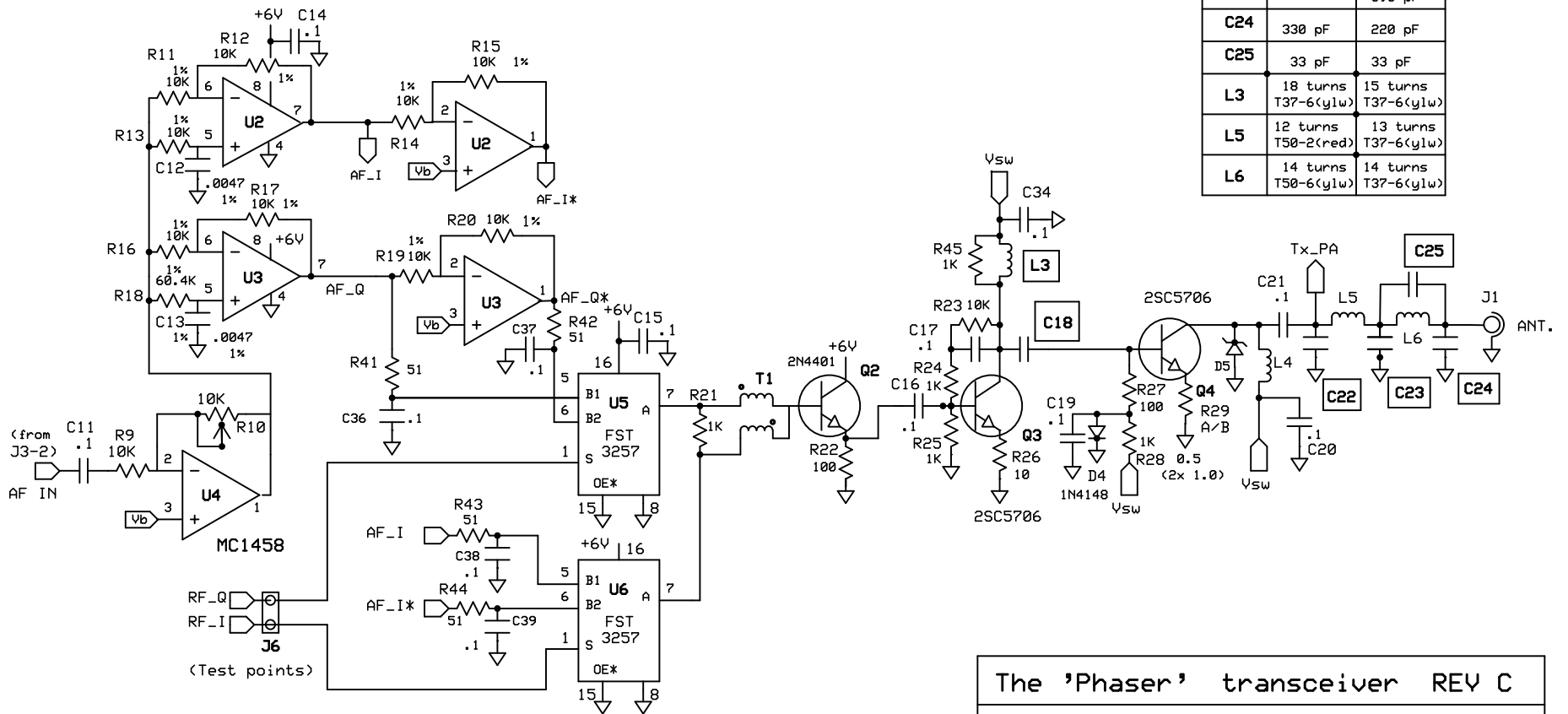
L5 18 turns on T50-2 (red)
 L6 19 turns on T50-2 (red)

The 'Phaser' Rev. C transceiver		
Transmitter/receiver Schematic 60M		
Dave Benson, K1SWL	2/27/2020	Page 1 of 2



Ref. Des.	30M	20M
C1	47 pF	27 pF
C2	68 pF	150 pF
L1	6.8 uH	4.7 uH
L2	2.2 uH	1 uH

Ref. Des.	30M	20M
C18	220 pF	150 pF
C22	220 pF	150 pF
C23	560 pF	390 pF
C24	330 pF	220 pF
C25	33 pF	33 pF
L3	18 turns T37-6(y1w)	15 turns T37-6(y1w)
L5	12 turns T50-2(red)	13 turns T37-6(y1w)
L6	14 turns T50-6(y1w)	14 turns T37-6(y1w)



The 'Phaser' transceiver REV C

Transmitter/receiver Schematic 30M/20M