



# RCI-5054<sup>DX</sup> / RCI-5054<sup>DX</sup>-100

AM/FM/SSB/CW 6 Meter  
Amateur Mobile Transceiver



## Owner's Manual

## Table of Contents

	PAGE
<b>Chapter 1 Specifications</b> .....	2
<b>Chapter 2 Introduction</b> .....	3
Unpacking .....	3
<b>Chapter 3 Installation</b> .....	4
Transceiver Mounting .....	4
Power Connection .....	4
<b>Chapter 4 Operation</b> .....	5
Front Panel .....	5
Rear Panel .....	9
Microphone .....	10
Frequency Selection .....	11
Mode Selection .....	12
RF Power Control .....	12
<b>Chapter 5 Programming</b> .....	13
Receive Scanning .....	13
Split Function .....	13
Memory Function .....	13
Memory Channel Scanning .....	14
Metering .....	14
<b>Chapter 6 Frequency</b> .....	14
All-Frequency Scanning .....	15
Memory Scanning .....	16
<b>Chapter 7 Offset Frequency</b> .....	17
<b>Memo</b> .....	18
<b>LIMITED WARRANTY</b> .....	Inside Back Cover

## Chapter 1 Specifications

### GENERAL

Model	RCI-5054DX	RCI-5054DX-100
Frequency Range :	50.000 ~ 54.000 MHz	50.000 ~ 54.000 MHz
Tuning Steps	100 Hz, 1 KHz, 10 KHz, 100 KHz, 1 MHz	100 Hz, 1 KHz, 10 KHz, 100 KHz, 1 MHz
Emission	USB, LSB, CW, AM, FM	USB, LSB, CW, AM, FM
Frequency Control	Phase-Lock-Loop Synthesizer	Phase-Lock-Loop Synthesizer
Frequency Tolerance	0.005%	0.005%
Frequency Stability	0.001%	0.001%
Operating Temperature Range	-10°C to +50°C	-10°C to +50°C
Antenna Impedance	50 ohm	50 ohm
Microphone	Plug-In (6-Pin), 400 Ω Dynamic PTT	Plug-In (6-Pin), 400 Ω Dynamic PTT
Meter Function	RF Output, RX Receive Signal Strength, SWR	RF Output, RX Receive Signal Strength, SWR
Input Voltage	13.8 V DC	13.8 V DC
Dimensions	7 3/4" (W) x 10 3/4" (D) x 2 3/8" (H)	7 3/4" (W) x 9 3/4" (D) x 2 7/8" (H)
Weight	4 lb. 3 oz.	5 lb. 13 oz.

### TRANSMITTER

RF Power Output	25W : USB/LSB Peak Power 10W : CW/AM/FM	100W : USB/LSB Peak Power 50W : CW/AM/FM
RF Transmit Modes	USB, LSB, CW, AM, FM	USB, LSB, CW, AM, FM
Antenna Connector	UHF Type, 50 Ω	UHF Type, 50 Ω
Modulation	16F3, A3E, J3E, A1A	16F3, A3E, J3E, A1A
Spurious Emissions	>60 dB	>60 dB
Carrier Suppression	-50 dB	-50 dB

### RECEIVER

Sensitivity	AM/CW : 0.5 uV for 10dB Sinad FM : 0.25uV for 12dB Sinad USB/LSB : 0.15uV for 10dB Sinad	AM/CW : 0.5 uV for 10dB Sinad FM : 0.25uV for 12dB Sinad USB/LSB : 0.15uV for 10dB Sinad
Image Rejection Ratio	-65 dB	-65 dB
AGC Figure of Merit	SSB/CW/AM : 80dB at 50mV for a 10dB change in Audio Output	SSB/CW/AM : 80dB at 50mV for a 10dB change in Audio Output
Audio Power Output	2.5W	2.5W

( SPECIFICATIONS SUBJECT TO CHANGE WITHOUT NOTICE )

## Chapter 2 Introduction

Congratulations on your purchase of an RCI-5054DX/5054DX-100 6 meter amateur radio. Your RCI-5054DX/5054DX-100 is designed to provide trouble-free service and state-of-the-art communications in the 6 meter band. Please read this manual thoroughly to ensure proper performance.

### IMPORTANT

*To operate this radio, you must possess an amateur radio operator's license issued by the FCC. Operation of this unit without proper licensing is **ILLEGAL** and can result in severe penalties.*

### NOTE

*The manufacturer is not responsible for any radio or TV interference caused by unauthorized modifications to this equipment. Such modifications could void the user's authority to operate this equipment.*

## Unpacking

The following items are included with our RCI-5054DX/5054DX-100. Carefully remove and examine all materials from the packing carton. If any items are missing or appear damaged, please contact your dealer immediately. Each unit should include:

- (1) RCI-5054DX/5054DX-100 Transceiver
- (2) Dynamic Microphone with remote frequency adjustment switches
- (3) Power Cord
- (4) Mounting Bracket & Hardware
- (5) Installation Hardware
- (6) Owner's Manual
- (7) Warranty Registration Card

It is recommended that you save the packing materials for future storage or shipping.

## Chapter 3 Installation

The RCI-5054DX/5054DX-100 is easy to install. All necessary parts (less the antenna and coax cable) have been included to facilitate installation.

### Transceiver Mounting

Choose a suitable location for the transceiver that will allow easy access to the front panel as well as proper air circulation to the back of the unit. If you are installing the unit in a vehicle, attach the mounting bracket first, then attach the transceiver to the mounting bracket using the hardware provided. Before making any electrical connection, ensure that the transceiver is turned off and the vehicle's battery is disconnected.

### Power Connection

The transceiver operates off of any 12 to 13.8 VDC source. Beware of voltage drops caused by operating from Cigarette Lighter Plugs or long DC wire runs. Sometimes it is best to connect direct to the battery for best RF output and Tx audio quality

#### NOTE

*The condition of a vehicle's electrical system can affect the operation of your RCI-5054DX/5054DX-100. A low battery, worn generator/alternator, or poor voltage regulator will impair performance of the unit as well as the vehicle.*

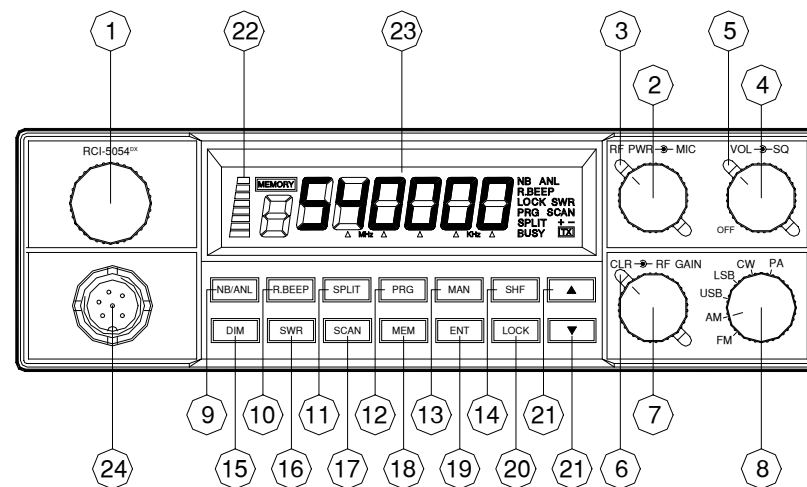
If an AC power supply is used with your radio, it must be regulated and rated for at least 7 Amps continuous for the RCI-5054DX and 20 Amps continuous for the RCI-5054DX-100. Low voltage while under load will cause reduced receiver gain and low transmitter output with possible distortion and splatter.

#### CAUTION

*Voltage above 15 VDC will damage the unit. Be sure to check the source voltage before connecting the power cord.*

## Chapter 4 Operation

### Front Panel



- 1. FREQUENCY SELECTOR:** Used to set the desired transmit and receive frequency. The frequency is digitally displayed in the LCD window next to the selector. The FREQUENCY SELECTOR knob next to the LCD display, allows changing each digit on the frequency display by first placing the frequency display cursor (using SHF button) below the desired digit and then turning the selector knob.
- 2. RF POWER CONTROL:** This control adjust the Transmitter's RF power output level.
- 3. MIC GAIN CONTROL:** This feature adjust the microphone gain for the transmit and PA modes. Experiment with this control for the setting that will provide best audio quality. Avoid overmodulation, which causes interference to adjacent stations and "splatter".
- 4. ON/OFF VOLUME CONTROL:** Turn clockwise to apply power to the radio and to set the desired listening level.

## Operation (Continued)

5. **SQUELCH CONTROL:** This control is used to control or eliminate receiver background noise in the absence of an incoming signal. For maximum receiver sensitivity, it is necessary that the control be adjusted only to the point where the receiver background noise is eliminated. Turn fully counterclockwise and then slowly clockwise until the receiver noise just disappears. Any signal to be received must now be slightly stronger than the average received noise. Further clockwise rotation will increase the threshold level that a signal must overcome in order to be heard. Only strong signals will be heard at a maximum clockwise squelch setting.
6. **RF GAIN CONTROL:** This control is used to reduce the receiver's front-end gain when receiving strong signals.
7. **CLARIFIER CONTROL:** Allows variation of the receive frequency above and below the selected receive frequency as shown on the display. This control is intended primarily to tune in SSB signals when communicating with several stations that may not be exactly on frequency. It may also be used to optimize AM/FM signals as described in the operating procedure paragraph. The clarifier can adjust the receive frequency  $\pm 2.5\text{KHz}$  but does not affect the transmit frequency or the frequency display.
8. **MODE SWITCH:** This switch allows you to select one of the following six operating modes: FM, AM, USB, LSB, CW and PA.
9. **NB/ANL BUTTON (NB/ANL):** The noise blanker (NB) is very effective in eliminating repetitive impulse noise such as ignition interference. In the ANL position, the AUTOMATIC NOISE LIMITER also limits noise at the receiver audio stages.
10. **ROGER BEEP BUTTON (R.BEEP):** This switch activates the ROGER BEEP circuit, when its function is selected. When enabled, the radio automatically transmits an audio tone each time you release the PTT. This indicates the end of each transmission so that stations who may

## Operation (Continued)

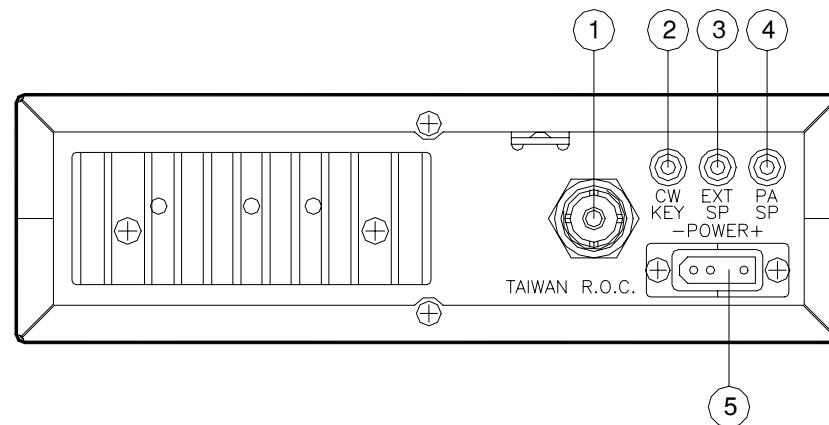
- be having trouble receiving will know that you have finished transmitting. This feature is sometimes used in weak signal conditions or other special circumstances. We discourage use of this feature in normal operation, as it can be annoying to other operators.
11. **SPLIT BUTTON (SPLIT):** Enables the offsetting of the transmitter frequency by up to  $\pm 2$  MHz (programmable) for FM repeater operation.
  12. **PROGRAM BUTTON (PRG):** Used to pre-program operating or scanning frequencies into memory. See the OPERATION section of this manual for details.
  13. **MANUAL BUTTON (MAN):** Used to return the unit to manual mode.
  14. **SHIFT BUTTON (SHF):** Determines which digit will change when changing frequencies, by placing a "cursor" under the desired digit. Allows frequency to be changed in 100 Hz, 1KHz, 10KHz, 100KHz and 1 MHz increments.
  15. **DIM BUTTON (DIM):** This button adjusts the display backlighting in four different steps to best match the ambient light.
  16. **SWR BUTTON (SWR):** Used to check relative SWR.
  17. **SCAN BUTTON (SCAN):** Used to enable the scanning of frequencies. See the PROGRAMMING and SCANNING section of this manual for detailed information on using the scan control.
  18. **MEMORY BUTTON (MEM):** Used to program often used frequencies in memory. Detailed information on how to use this control is provided in the PROGRAMMING section of the manual.
  19. **ENTER BUTTON (ENT):** Used to program frequencies in memory. See PROGRAMMING section.

## Operation (Continued)

20. **LOCK BUTTON (LOCK):** Disables the Frequency Selector Control, UP/DOWN buttons on the front control panel and remote UP/DOWN buttons on the microphone. Pressing this switch again will re-enable the frequency selectors.
21. **UP/DOWN SELECTOR:** These buttons are used to increase or decrease the frequency digit above the SHF cursor on the display.

## Operation (Continued)

### Rear Panel



1. **ANTENNA:** This jack accepts a 50 ohms coaxial cable with a PL-259 style plug.
2. **CW KEY:** The CW key is used for Morse Code operation. To operate connect a CW key to this jack, and place the mode switch in the CW position.
3. **EXTERNAL SPEAKER:** This jack accepts a 4 - 8 ohm 5W external speaker. When an external speaker is connected to this jack, the built-in speaker is disabled.
4. **PA SP.:** An 8 ohm, 4W PA speaker may be connected to this jack for PA operation. This feature operates by placing mode selector in PA position.
5. **POWER:** This socket accepts a 13.8 VDC power cable with built-in fuse. The power cord provided with the radio consists of a black wire (negative) and a red wire (positive).

## Operation (Continued)

### Microphone

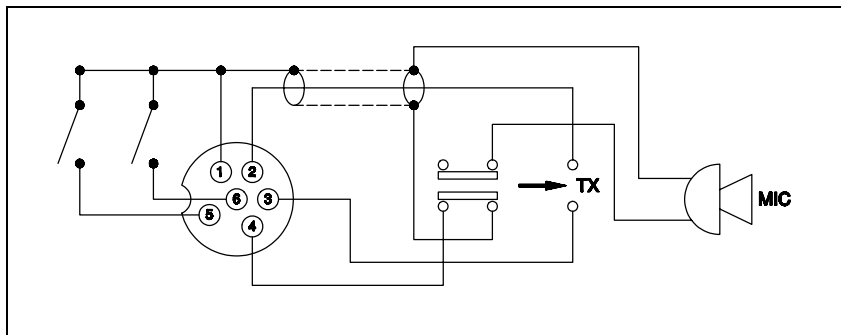
1. **PTT SWITCH:** The Push-To-Talk (PTT) switch controls the transmit and receive function of the radio. Push to transmit and release to receive.
2. **REMOTE UP/DOWN SWITCH:** The digit on the frequency display above the SHF "cursor" can be stepped up or down by pushing either of these buttons.

For best results, the user should select a low-impedance dynamic type microphone or a transistorized microphone.

The microphone should provide the functions shown in schematic below.

#### 6 WIRE MIC CABLE

<u>Pin Number</u>	<u>Mic Cable Lead</u>
1	Audio Shield
2	Audio Lead
3	Transmit Control
4	Receive Control
5	Up Control
6	Down Control



Transceiver Microphone Schematic Diagram

## Operation (Continued)

### Frequency Selection

Frequency selection in the RCI-5054DX/5054DX-100 can be accomplished using any one of the following three methods:

1. The first method of frequency selection uses the **SHF** (Shift) key and the **▲**(UP)/**▼**(DOWN) keys located on the front panel. To accomplish this, press the **SHF** key until the display cursor on the frequency display is positioned under the frequency digit that is to be changed. Use the "**▲**" key to increase the number. Press the "**▼**" key to decrease the number. Perform the steps described above for each digit until the desired frequency is displayed in the **LCD** frequency display window.
2. The second method of frequency selection is performed using the **SHF** key and the **FREQUENCY** select knob located on the front panel. Use the **SHF** key in the manner described above to select the digit to be changed. Then rotate the **FREQUENCY** selector clockwise to increase the frequency and counterclockwise to decrease the frequency.
3. The third method of frequency selection is through the use of the **SHF** key and the remote **UP** and **DOWN** buttons located on the microphone. Frequency selection by this method is accomplished in the same manner as with the "**▲**" key and the "**▼**" key on the front panel keypad.

Sometimes when receiving more than one station on a fixed frequency such as on a "Net" or "round table" operation, it is convenient to be able to vary the **receive** frequency slightly without changing the transmit frequency. To do this, rotate the clarifier control while an off frequency station is transmitting. You can vary the receiver frequency by  $\pm 2.5$  KHz for clearest voice reception. The clarifier can be optionally modified to vary both Transmit and Receive frequencies together.

## Operation (Continued)

---

### Mode Selection

To Select an operating mode, rotate the MODE selector, and place it in the desired operating mode position.

### RF Power Control

This feature allows the adjustment of the RF output power continuously over the range of 1W through 25W.

## Chapter 5 Programming

---

### Receive Scanning

The receive scanning feature helps locate active frequencies within a preprogrammed band segment anywhere on the 6 Meter band (refer to SCANNING, page 16). To begin scanning, slowly turn the Squelch control clockwise until the receiver noise disappears. Next, press the scan button. The unit should start scanning from the lower to the higher frequencies. Pressing the Scan button again will change the direction of scanning. Each time the Scan button is pressed, "**SCAN+**" or "**SCAN-**" will be displayed on the LCD display. The scan will stop on any active frequency for the duration of the transmission. After the on frequency activity stops, the RCI-5054DX/5054DX-100 will resume scanning after about a 2 second pause. To deactivate the Scan mode, press the **MAN** (manual) button or turn the Squelch control counterclockwise until you hear receiver noise. The **MAN** button will disable the Scan function.

### Split Function

This function enables you to split the transmit and receive frequencies for by a pre-programmed amount. This feature is necessary for operation with FM repeaters. (See **OFFSET FREQUENCY OPERATION**, pg. 17 for more information). To split frequencies, press the **MAN** button and the **SPLIT** button to select + split frequency (transmitter higher than receiver). For - split frequency, press the **SPLIT** button again (transmitter lower than receiver).

### Memory Function

The RCI-5054DX/5054DX-100 can store up to 10 frequencies in memory locations 0 to 9. To program a frequency into memory, follow the procedure described below:

1. Press the **MAN** button.
2. Press the **PRG** button.
3. Press the **MEM** button. ("**MEMORY**" and "**0**" should appear on the left-hand side of the LCD display). Each press of the **MEM** button will advance the memory location one step at a time from "**0**" to "**9**".

## Programming (Continued)

4. Set the desired frequency you wish to store in memory.
5. Press the **ENT** button.
6. Repeat the procedure to program other memory channels.

### Memory Channel Scanning

You can scan the 10 pre-programmed memory locations by following the procedure described below:

1. Press **MAN** button.
2. Press the **MEM** button.
3. Slowly turn the Squelch knob clockwise until the receiver noise disappears.
4. Press the Scan button. The unit will scan from lower to higher memory locations. Pressing scan again will cause the unit to scan from higher to lower memory locations.
5. To stop scanning while on a memory location, press the **MAN** button. You can also turn the Squelch knob counterclockwise until you hear the receiver noise.

### Metering

The segmented bars on the left-hand side of the LCD display provide the following information:

1. **S/RF METER**: Provides a relative indication of transmit RF output power while transmitting or signal strength while receiving
2. **SWR METER**: This function allows the checking of relative SWR. To use this function, set the unit to AM mode and push the SWR button on the front panel while holding down the PTT switch on the microphone. The bars on the meter will indicate approximate SWR. If there is no bar, your antenna system is well matched. If several bars appear, the antenna needs adjustment. The fewer the bars, the better the match.

## Chapter 6 Frequency Scanning

Frequency scanning can be achieved by either of two methods: the first method involves scanning of all frequencies between a pre-set upper and lower scan frequency. The second method permits the scanning of frequencies previously programmed in the memory locations 0 thru 9.

### All-Frequency scanning

To allow All-Frequency scanning, the user must first program the upper and lower scan limit frequencies as follows:

1. Press the **PRG** (Program) key.
2. Press the **SCAN** key. ("**PRG SCAN+**" should appear in the lower right-hand corner of the display window.)
3. Using the **SHF** key and the **UP** and **DOWN** arrows, select the upper scan limit frequency.
4. Press the **SCAN** key again. ("**SCAN-**" should appear in the display window.)
5. Using the **SHF** key and **UP** and **DOWN** arrows, select the lower scan limit frequency, then press **ENT**.

The upper and lower scan limits have now been programmed. To activate the scan feature, return the radio to manual operation and press the **SCAN** button. If the display shows "**SCAN+**", the radio will scan from the lower limit to the upper limit. If "**SCAN-**" is displayed, the unit will scan from the upper limit to the lower limit. To change from "**SCAN+**" to "**SCAN-**" or vice versa, press **SCAN**.

#### NOTE

*Whichever upper and lower scan limits are programmed in, are also the upper and lower operating limits of the radio. The radio will not operate above or below the scan limits last programmed in. Full band coverage can be returned by reprogramming the original band edges.*



## Frequency Scanning (Continued)

### Memory Scanning

The RCI-5054DX/5054DX-100 has 10 non-volatile memory locations which can be programmed with any frequency within the operating range of the radio. The scan function of the unit can scan the frequencies in the 10 memory locations.

The first step in utilizing the memory scan function is programming the desired frequencies into the memory locations 0 through 9 by performing the following steps:

1. With the radio operating in the manual mode, press the **PRG** (Program) key.
2. Press the **MEM** key. "**PRG**" should display in the lower right-hand corner of the LCD display. "**MEM**" should display in the upper left portion of the display. A number between 0 and 9 will display directly below **MEM**. This number represents the memory location currently being shown on the frequency display. Pressing the **MEM** key will increase the memory counter to the next memory location and the frequency in that memory location will be displayed.
3. Set the new frequency to be stored in the memory location displayed by using the **SHF** key and the **UP** and **DOWN** arrows. After the desired frequency is indicated, press **ENT**. This will overwrite whatever frequency had been previously stored at this location.
4. Repeat steps 2 and 3 for all of the memory locations to be programmed.
5. After the desired memory locations have been programmed with frequencies, return the unit to the manual mode of operation by pressing the **MAN** key.
6. To initiate memory scanning, press **MEM** and then **SCAN**. The display will show "**SCAN+**" or "**SCAN-**" to indicate whether the radio is scanning from the lowest to the highest memory location or vice versa. To return the radio to normal (non-scanning) operation, press the **MAN** key.

## Chapter 7 Offset Frequency Operation

The split frequency function offsets the transmitter frequency either above or below the receiver frequency by a user-programmable amount. This is necessary for operating on FM repeaters. In the following example, the programming of a 1 MHz offset will be described. Before attempting to program the offset frequency, ensure that the radio is operating in the manual mode by pressing the **MAN** key.

**NOTE:** FM repeaters may require that a sub-audible CTCSS tone be transmitted to gain access to the repeater. The RCI-5054DX/5054DX-100 can be equipped with an optional CTCSS encoder.

### TO PROGRAM TX OFFSET:

1. Press the **PRG** (Program) key.
2. Press the **SPLIT** key. The LCD display will indicate **00000** with **PRG** and **SPLIT** showing in the lower left-hand corner of the display.
3. Using the **SHF** key and the **UP** and **DOWN** arrows as described earlier, program the display to read **10000**.
4. Press **ENT**. A 1 MHz offset has now been programmed into the radio.
5. Return the radio to manual operation by pressing the **MAN** key.
6. Using the **SHF** key and the **UP** and **DOWN** arrows as described previously, set the radio to the desired receive frequency.
7. Press **SPLIT**. Either "**SPLIT+**" or "**SPLIT-**" will be displayed in the lower right corner of the display. If "**SPLIT+**" is displayed, the transmitter will be offset 1 MHz above the receive frequency when keyed. If "**SPLIT-**" is displayed, the transmitter will be offset 1 MHz below the receive frequency.

### NOTE

*When the transmitter is keyed, the frequency display will change to show the frequency being transmitted.*





401 W. 35<sup>th</sup> Street, Suite B  
National City, CA 91950

(800) 446-5778 • FAX (619) 426-3788

Email: [rci@rangerusa.com](mailto:rci@rangerusa.com)

[http: //www.rangerusa.com](http://www.rangerusa.com)

PRINTED IN TAIWAN  
AT5054010B