

TEN-TEC

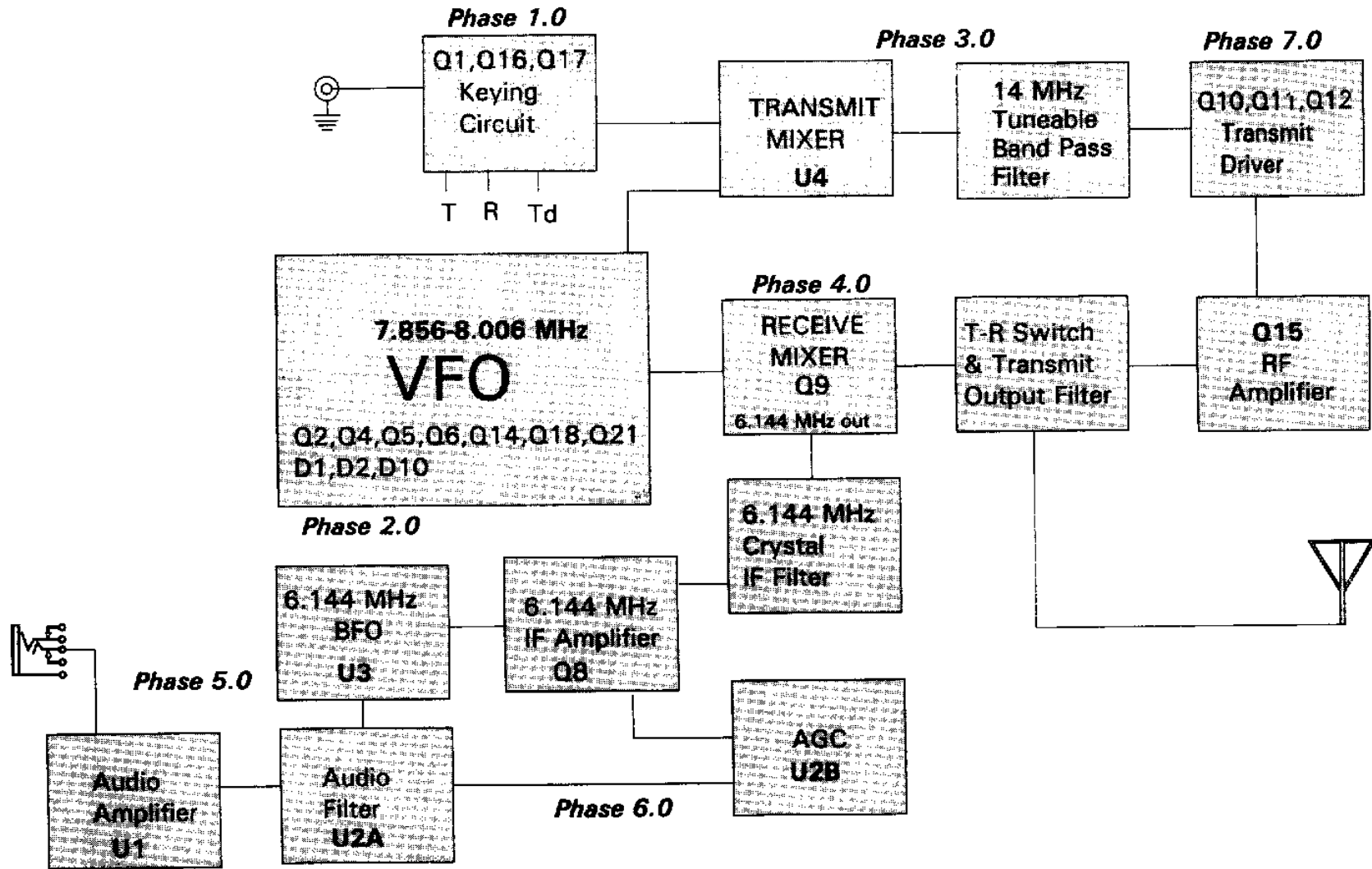
QRP-CW-Transceiver

For 20m (14MHz)

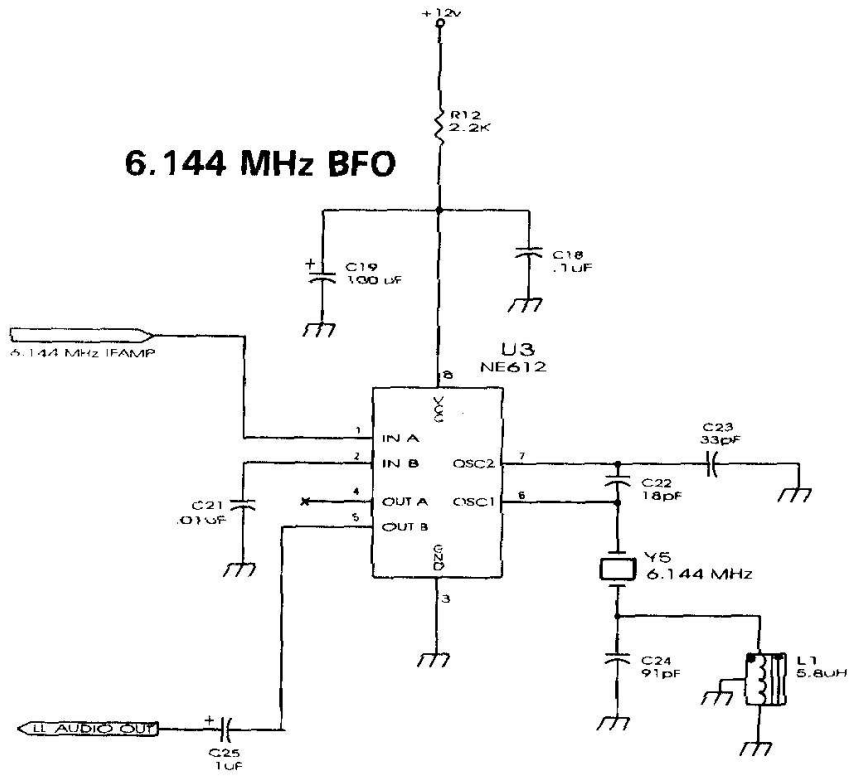
Model 1320

Circuit-diagrams and PCB-Layout

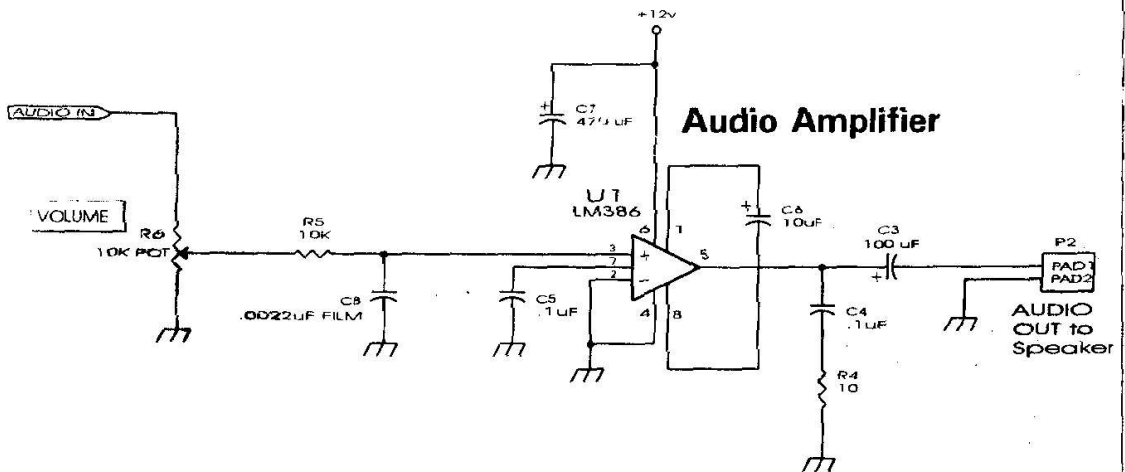
**Model 1320 CW Transceiver Block Diagram**

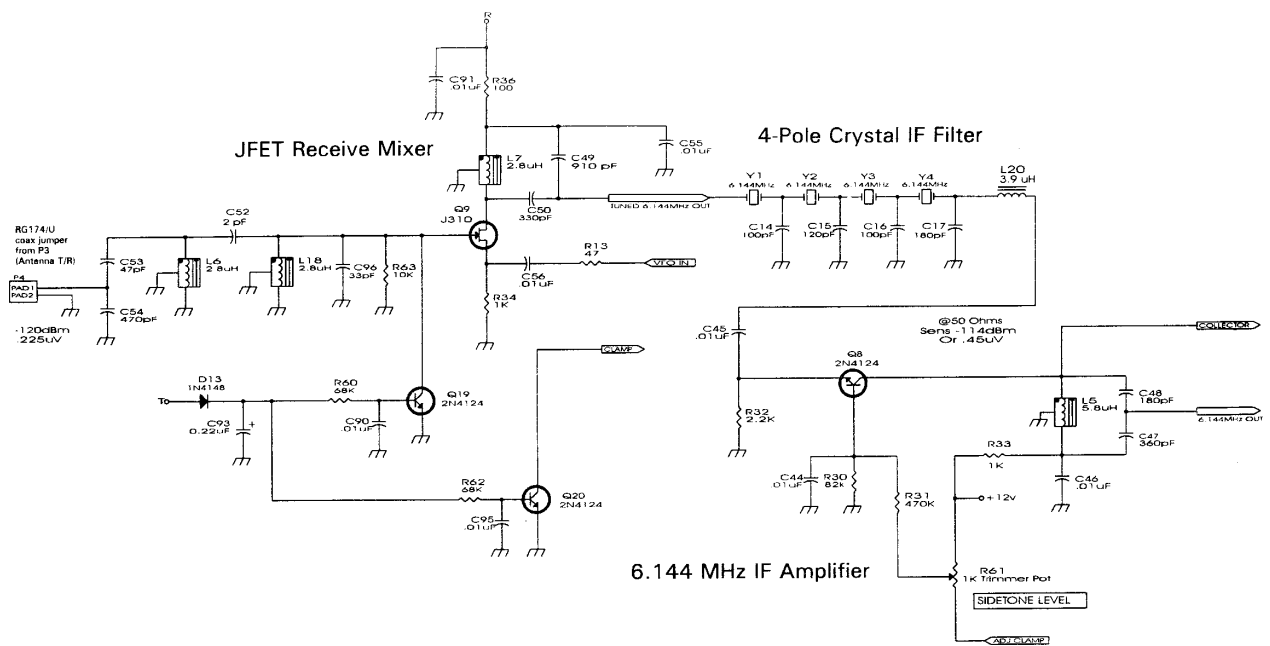
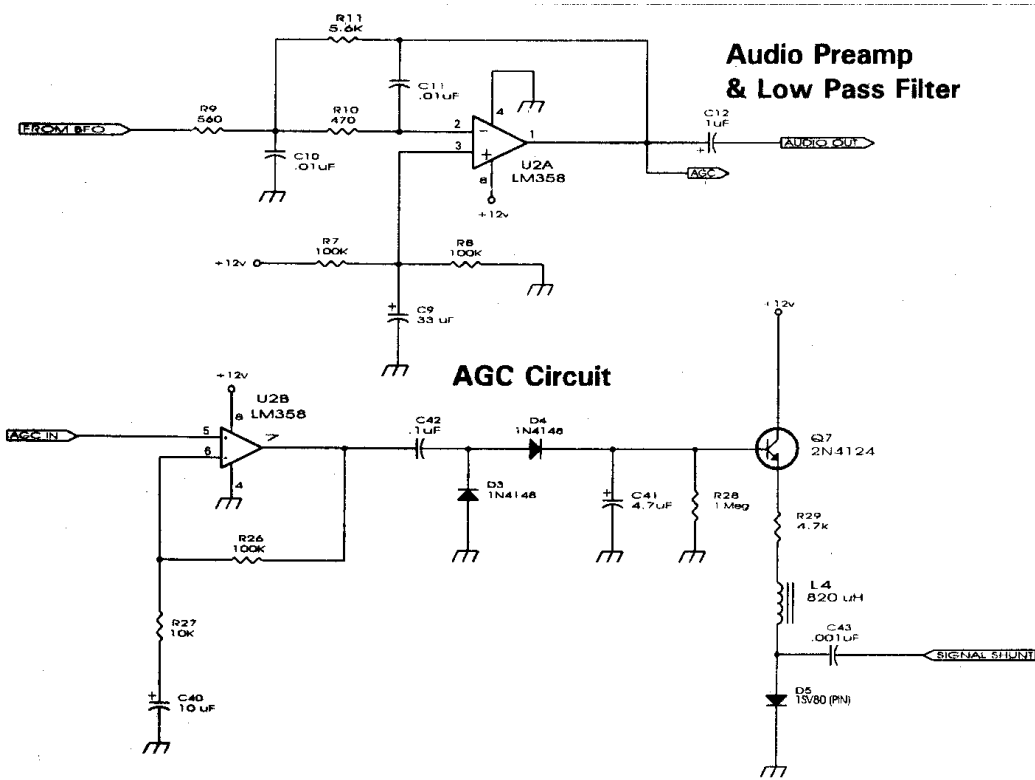


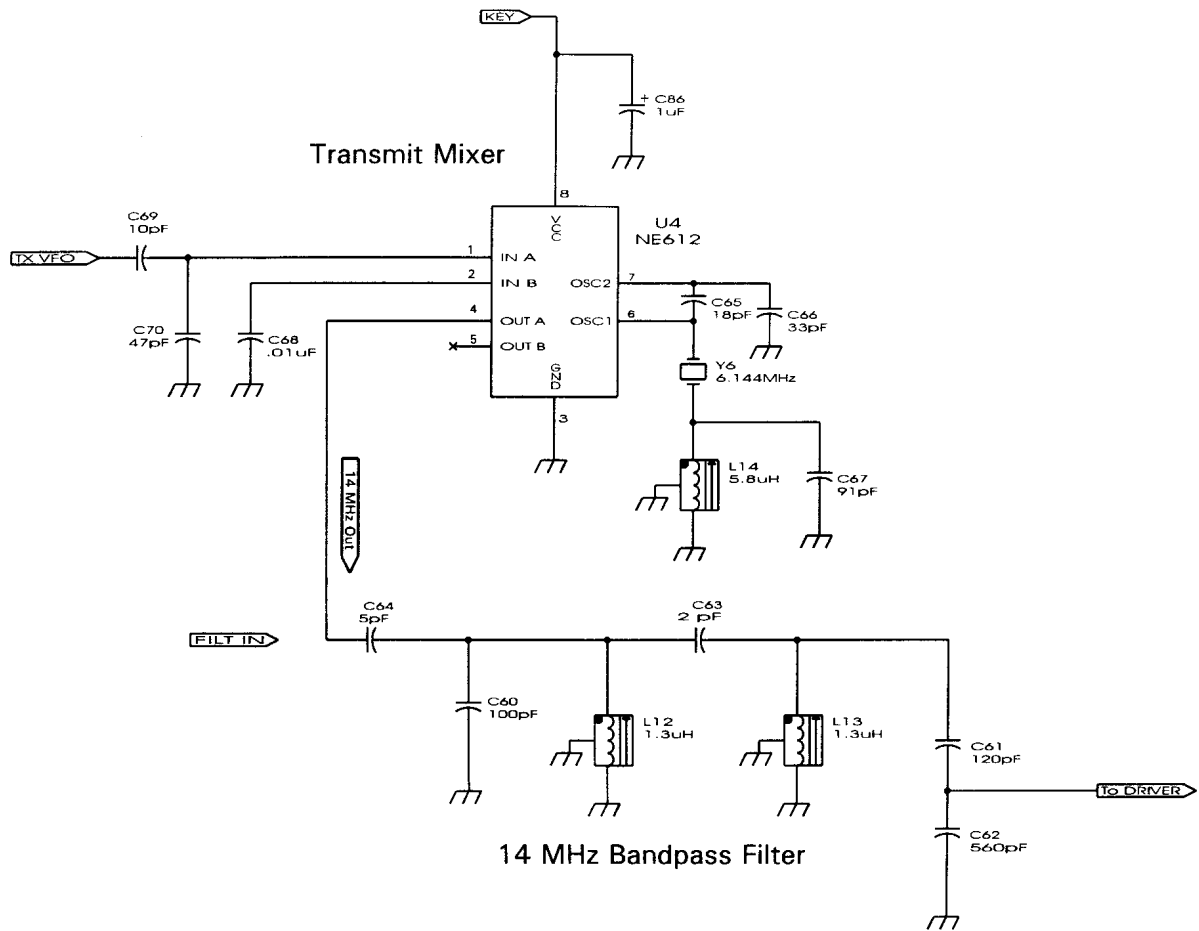
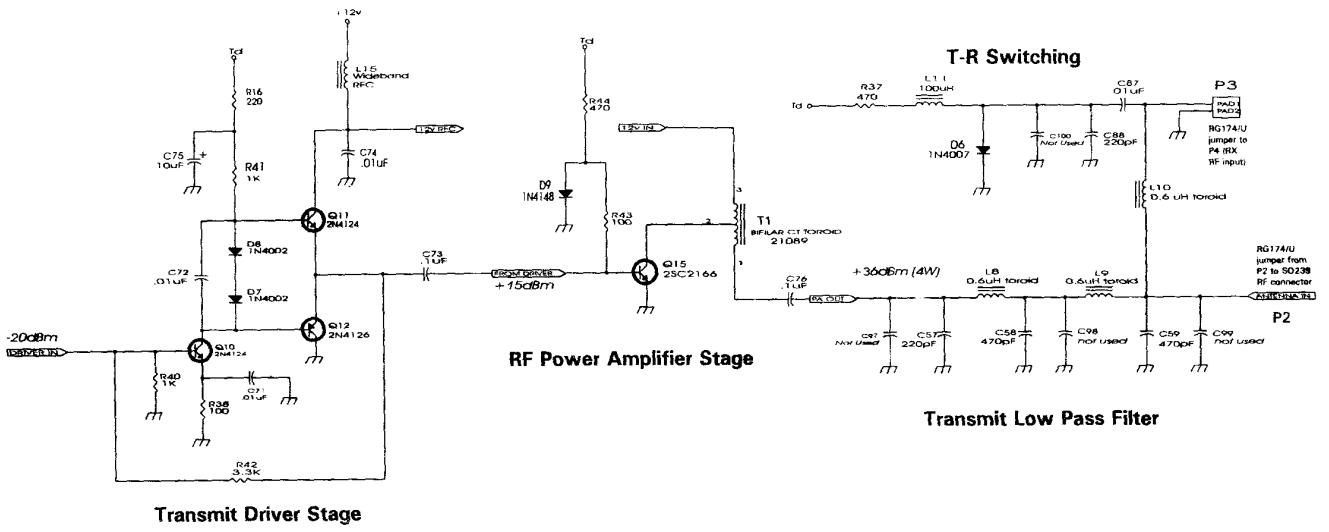
### 6.144 MHz BFO

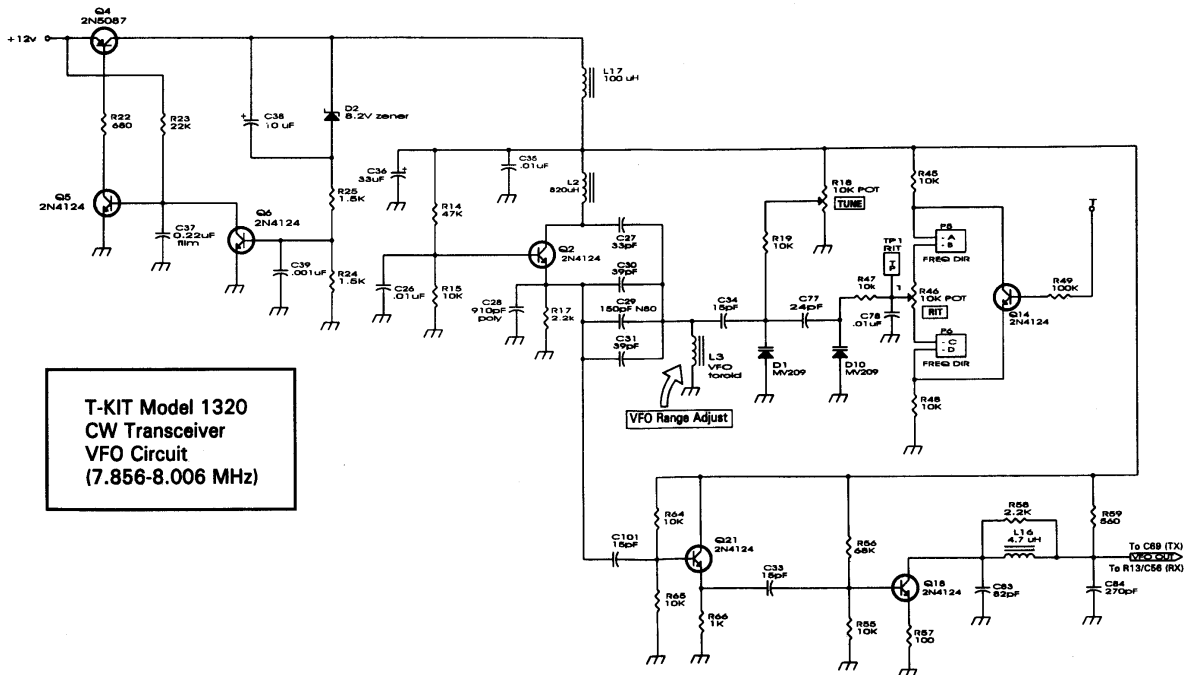


### Audio Amplifier

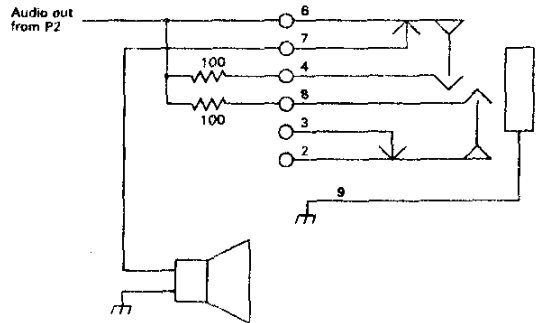
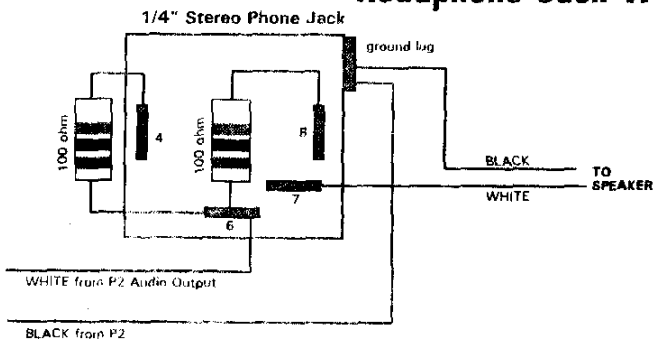


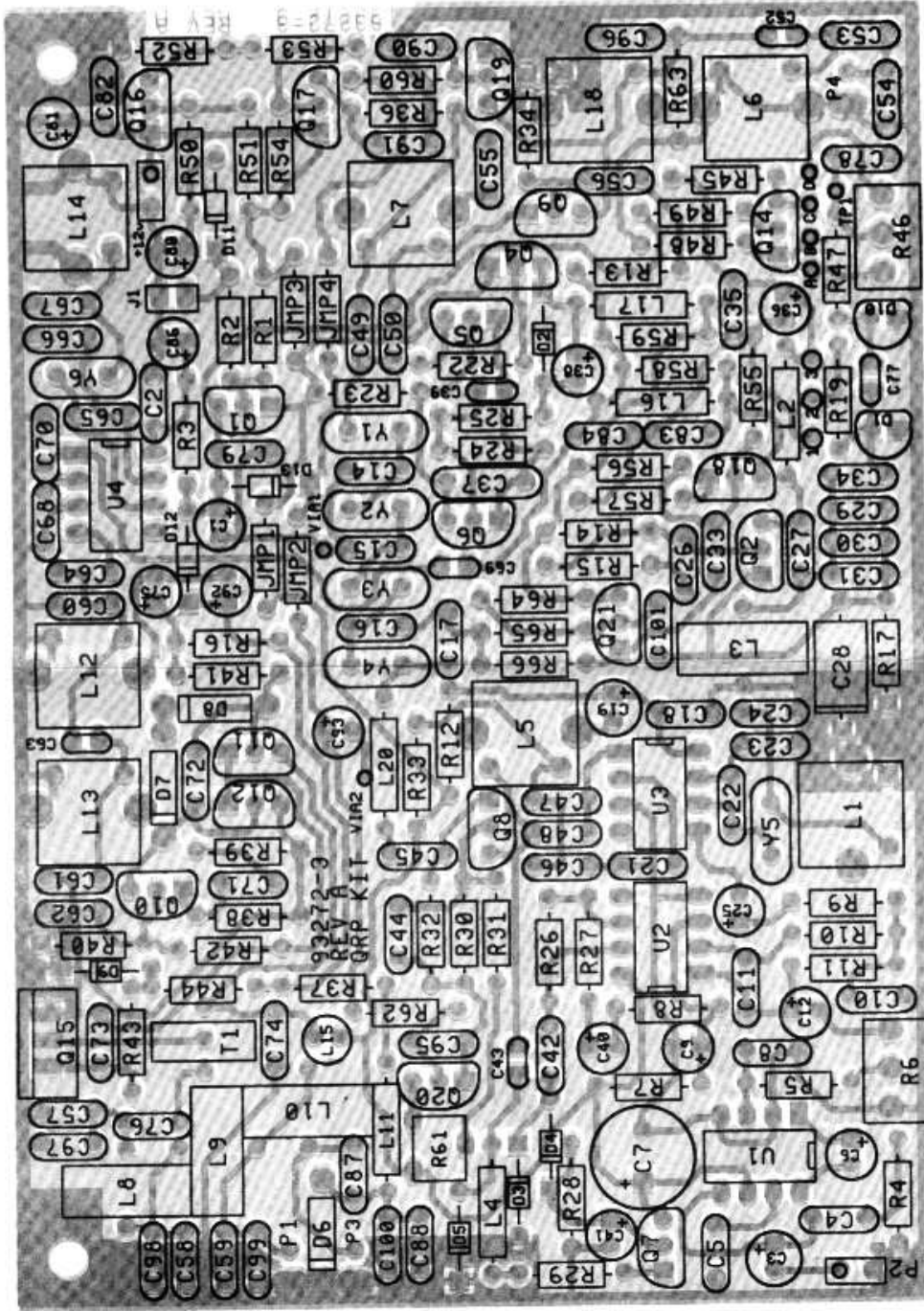






### Headphone Jack Wiring Details





**T-KIT QRP CW Transceiver  
Circuit Board X-Ray View**

-  Solder-side pads and traces
-  Component Side Groundplane

Copyright © 1996 TEN-TEC, Inc. All Rights Reserved.