

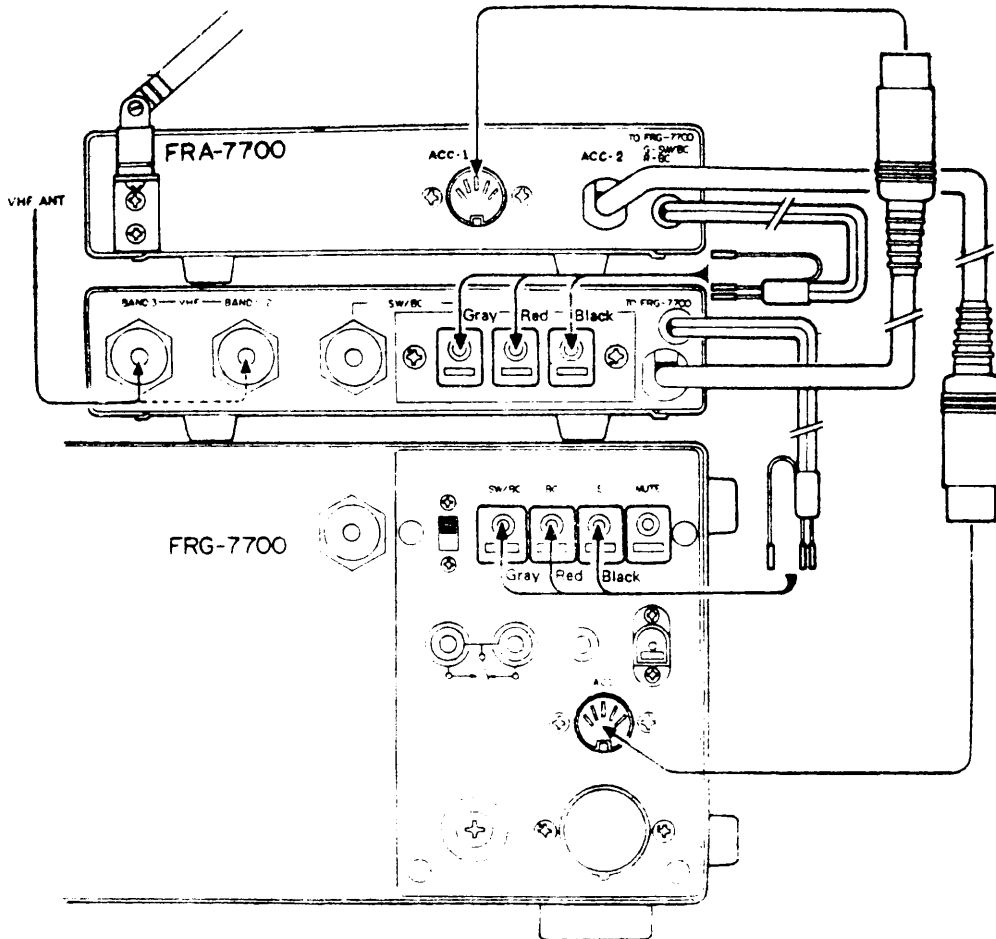
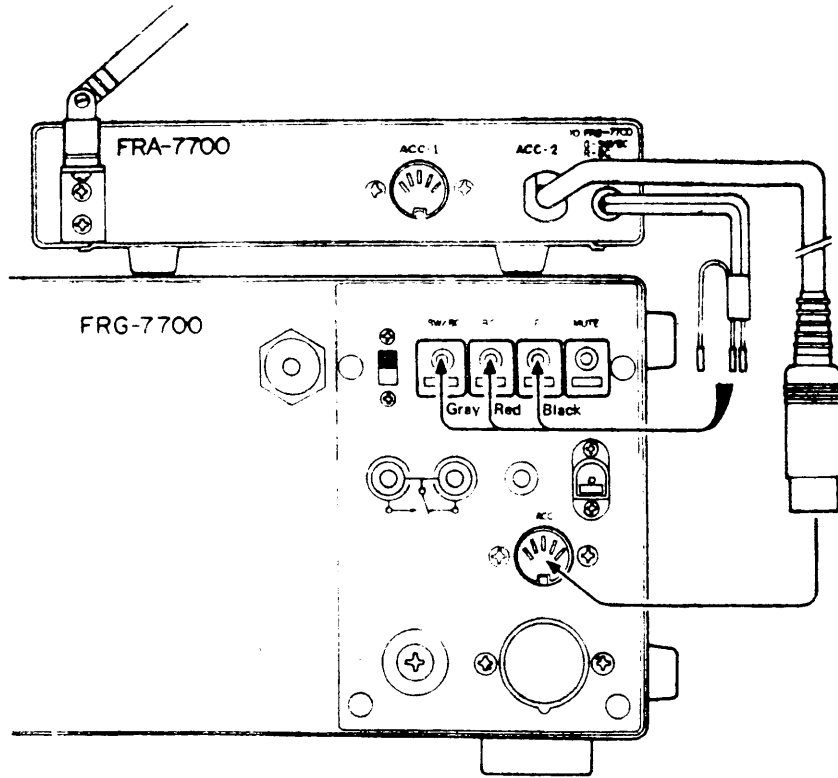
FRA-7700 ACTIVE ANTENNA

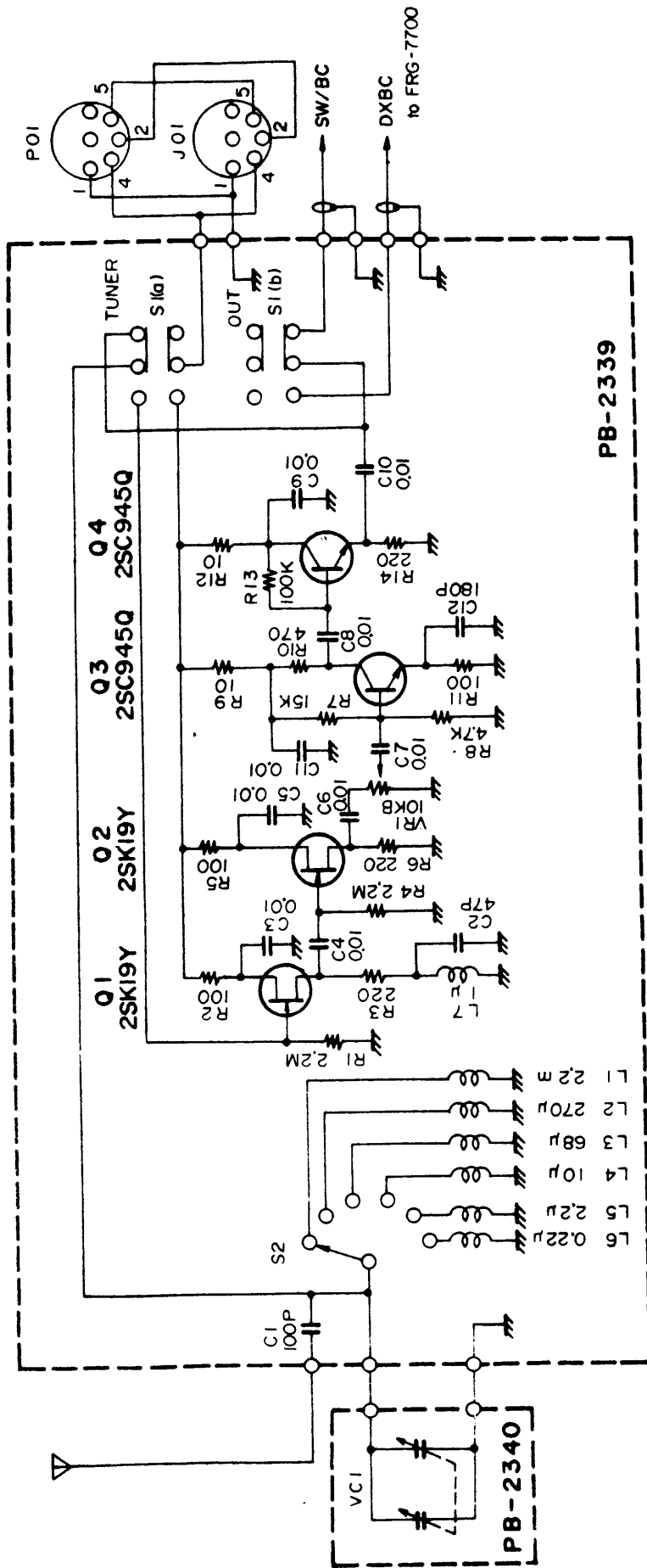
This active antenna unit is designed for use with the FRG-7700 general coverage receiver, allowing good quality reception of signals while using only the attached 1.2 meter telescoping antenna. The active antenna unit includes an RF preamplifier useful over the entire 150 kHz to 30 MHz range of the FRG-7700. Its gain is adjustable from the front panel allowing precise setting for optimum performance under a wide variety of reception situations.

Installation and Operation

1. On the end of the cable from the FRA-7700 connect the wire with the grey tab to the SW/BC terminal on the FRG-7700, and the wire with the red tab to the BC terminal. Similarly, connect the wire with the black tab to the E terminal on the FRG-7700. Connect the DIN plug from the FRA-7700 to the ACC jack.
2. Preset the controls and switches on the FRA-7700 as follows:
PREAMP-----ON
OUT-----SW/BC position
GAIN-----fully clockwise
BAND-----as desired
3. Fully extend the telescoping antenna on the FRA-7700.
4. Set the FRG-7700 to receive the desired frequency (as in step 2).
5. Adjust the TUNING control on the FRA-7700 for a peak in the signal on the receiver. If this peak occurs at either the fully clockwise or counterclockwise positions of the TUNING control, set the BAND switch to an adjacent position and tune again for a peak.
6. Adjust the angle and position of the telescoping antenna for maximum signal.
7. If a strong signal on a nearby frequency interferes with your desired signal, reduce the GAIN control setting to minimize the interference.
8. When you attempt to receive very weak signals on frequencies below 2 MHz, set the OUT switch to the DX BC position.

Note: If you have the FRA-7700 connected to the receiver and switched OFF, such as when listening to strong local signals or through another antenna, you may need to set the BAND switch and TUNING control on the FRA-7700 to peak the received signal (even though the FRA-7700 is switched off).





FRA - 7700
CIRCUIT DIAGRAM

1. ALL CAPACITORS ARE IN μF 50WV, ALL RESISTORS ARE IN Ω /1/4W, ALL INDUCTORS ARE IN H(HENRY), UNLESS OTHERWISE NOTED.
2. ROTARY SWITCH IS SHOWN IN CCW POSITION AND PUSH-BUTTON SWITCHES ARE SHOWN IN THE RELEASED POSITION.

GAIN

BAND

TUNING

- L1 2.2 M
- L2 270 μ
- L3 88 μ
- L4 10 μ
- L5 2.2 μ
- L6 0.22 μ