

ANTENNA TUNER

FRT-7700

* * * * *

The FRT-7700 is an ultra-compact antenna tuner for the FRG-7700 receiver. Designed for operation from 150 kHz to 30 MHz, the FRT-7700 will provide the proper impedance for the receiver, thus rejecting unwanted signals. A built-in attenuator, 60 dB maximum, prevents intermodulation and cross-modulation from occurring when strong signals are being carried to your receiver. Also, a two-section lowpass filter aids in the rejection of interference from strong signals above 2 MHz, when you are listening to bands in the 150 kHz to 500 kHz range.

INSTALLATION PROCEDURE

1. Connect the gray coaxial cable coming from the rear apron of the FRT-7700 to the SW/BC terminal on the rear apron of the FRG-7700. Connect the red coaxial cable to the BC terminal. Both outer cables of the coaxial cable should be connected to terminal E.
2. Your antenna should be connected to the ANT B terminal for normal operation. This terminal accepts incoming signals from 150 kHz to 30 MHz. However, the ANT B terminal is best utilized when you are interested in receiving weak signals in the range of 150 kHz to 500 kHz.

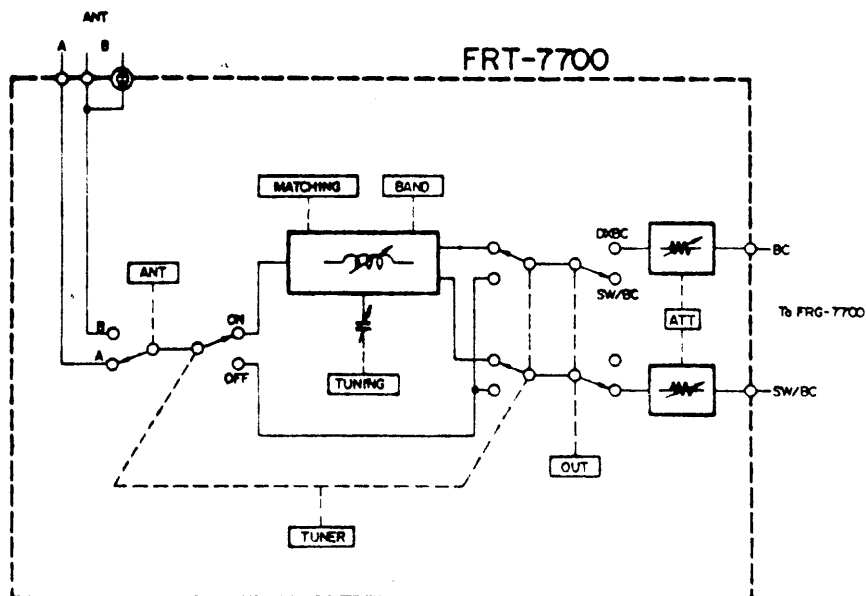
The coaxial receptacle (SO-239) is connected parallel to the ANT B terminal in the FRT-7700. If your antenna feeder has a coax jack, it should be connected to the coaxial receptacle.

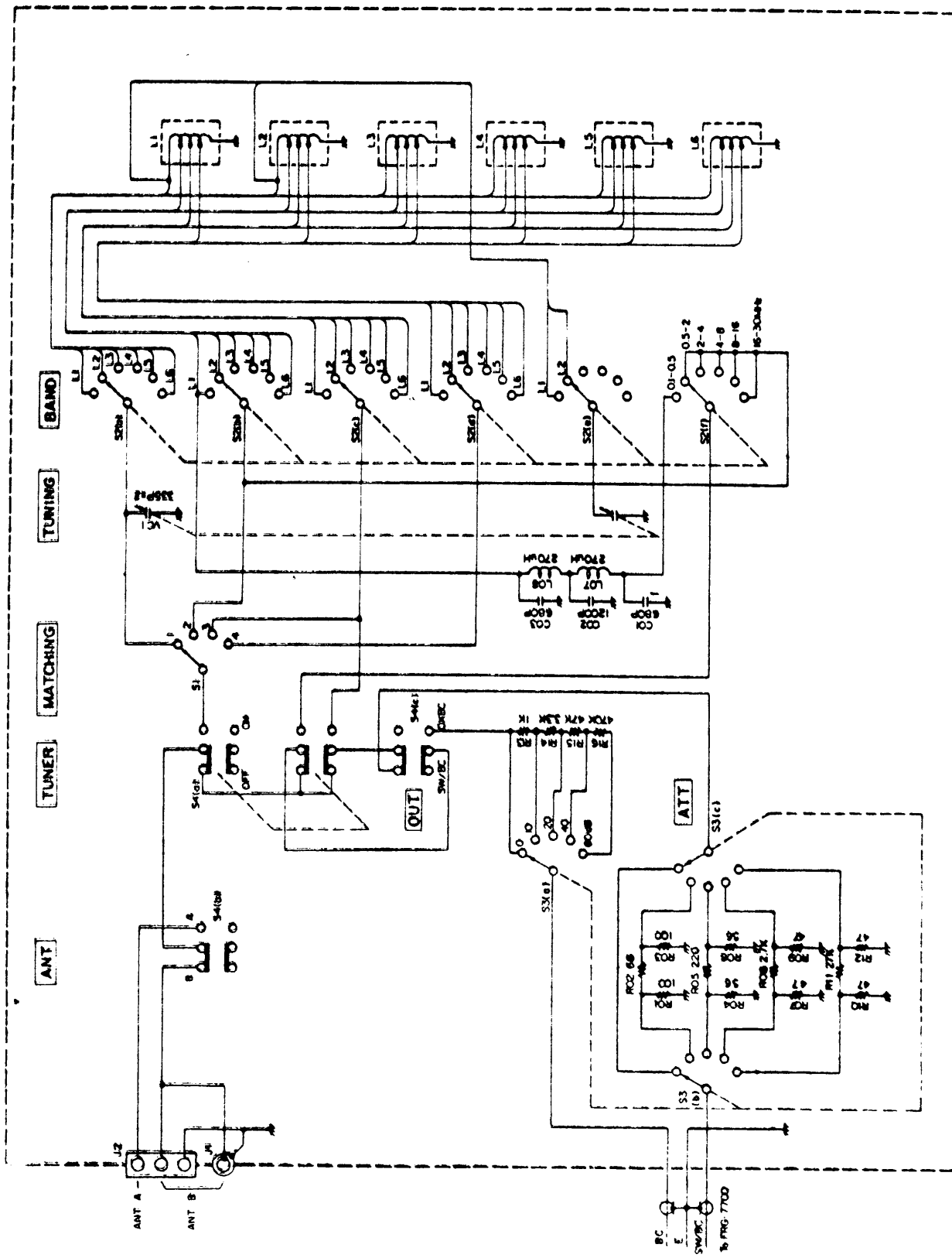
OPERATION

1. Set your FRG-7700 for normal operation on the frequency you desire.
2. Preset the controls and switches as follows:

TUNER	--	CFF
ATT	--	0 (dB)
BAND	--	Desired band
MATCHING	--	3
3. Tune the FRG-7700 to your desired signal.
4. Push the TUNER switch on, and adjust the TUNING control for maximum deflection on the S-meter.
5. Change the position of the MATCHING selector to the point where the S-meter reaches maximum deflection.

6. Repeat the adjustments in Steps 4 and 5 until a maximum S-meter reading is obtained. In some cases, the best sensitivity is obtained at either one coverage above or below the specified coverage of the BAND switch, a trick you might try when you are unable to obtain sufficient sensitivity.
7. When your receiving station receives interference from strong signals, try reducing all incoming signals by adjusting the ATT control, till you find a position where you can receive the signals clearly
8. When weak signal reception below 2 MHz is desired, push the OUT switch to DXBC, and the weak signals will be clearly received.





FRT-7700
CIRCUIT DIAGRAM