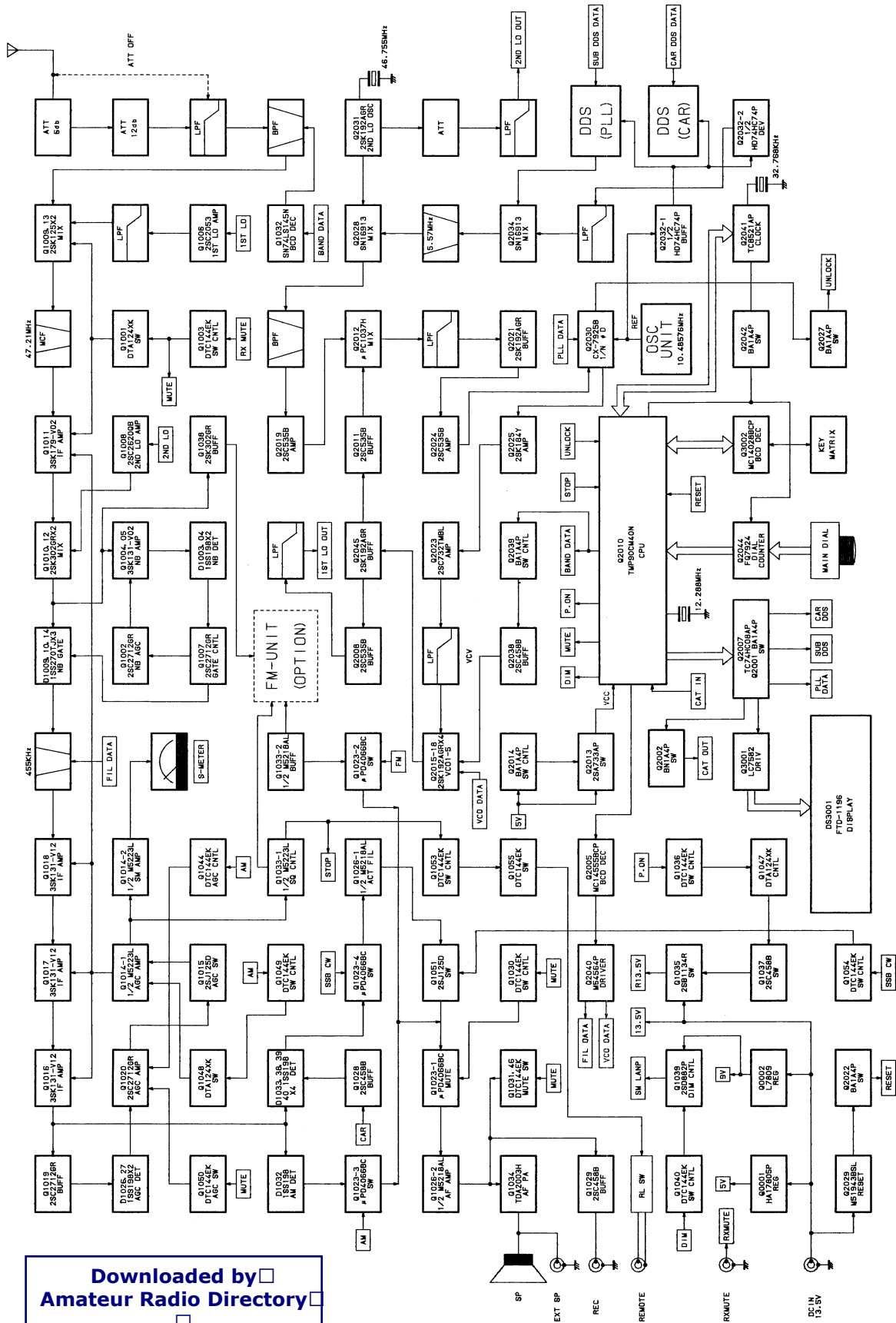
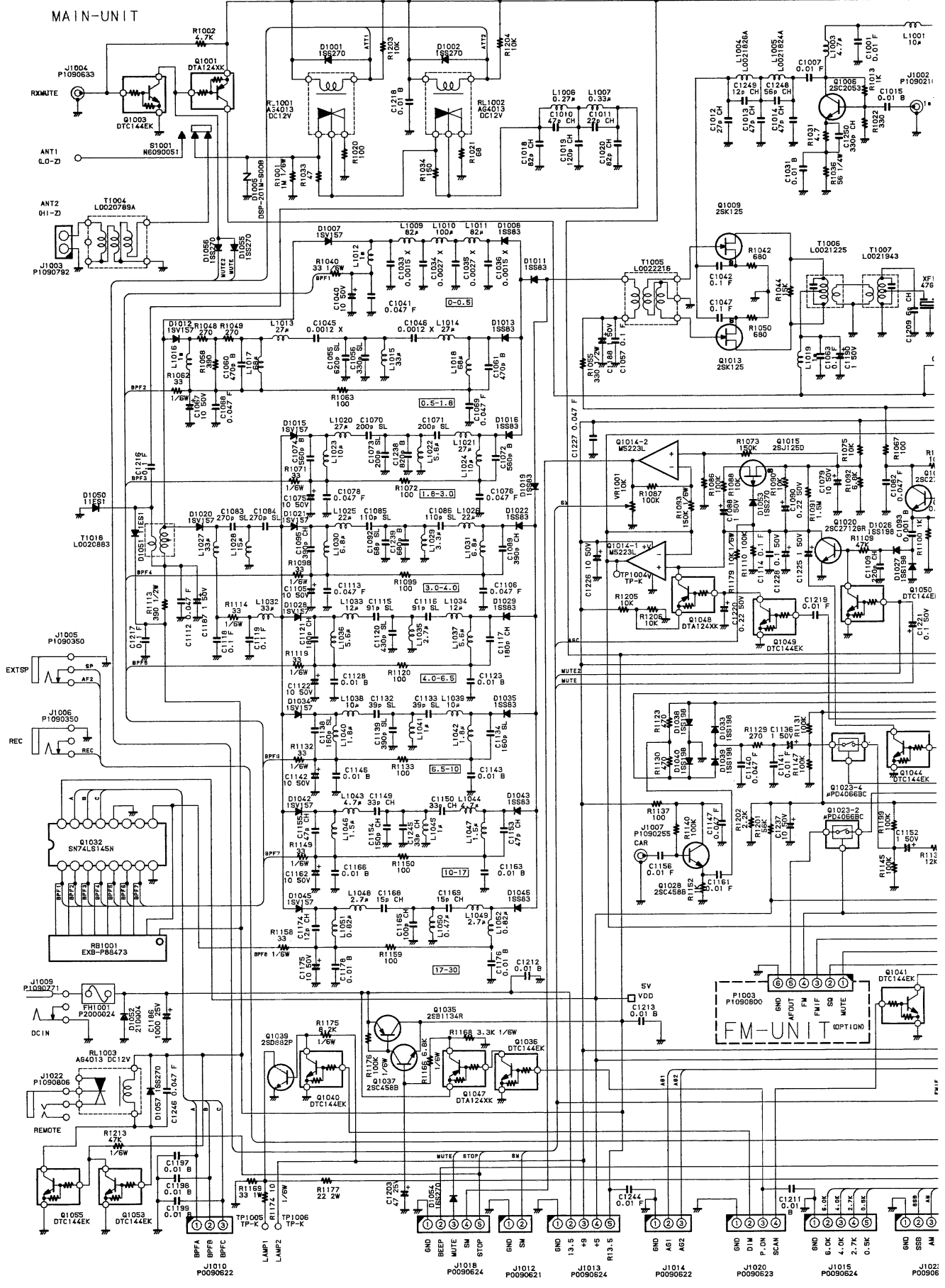


# FRG-100 BLOCK DIAGRAM

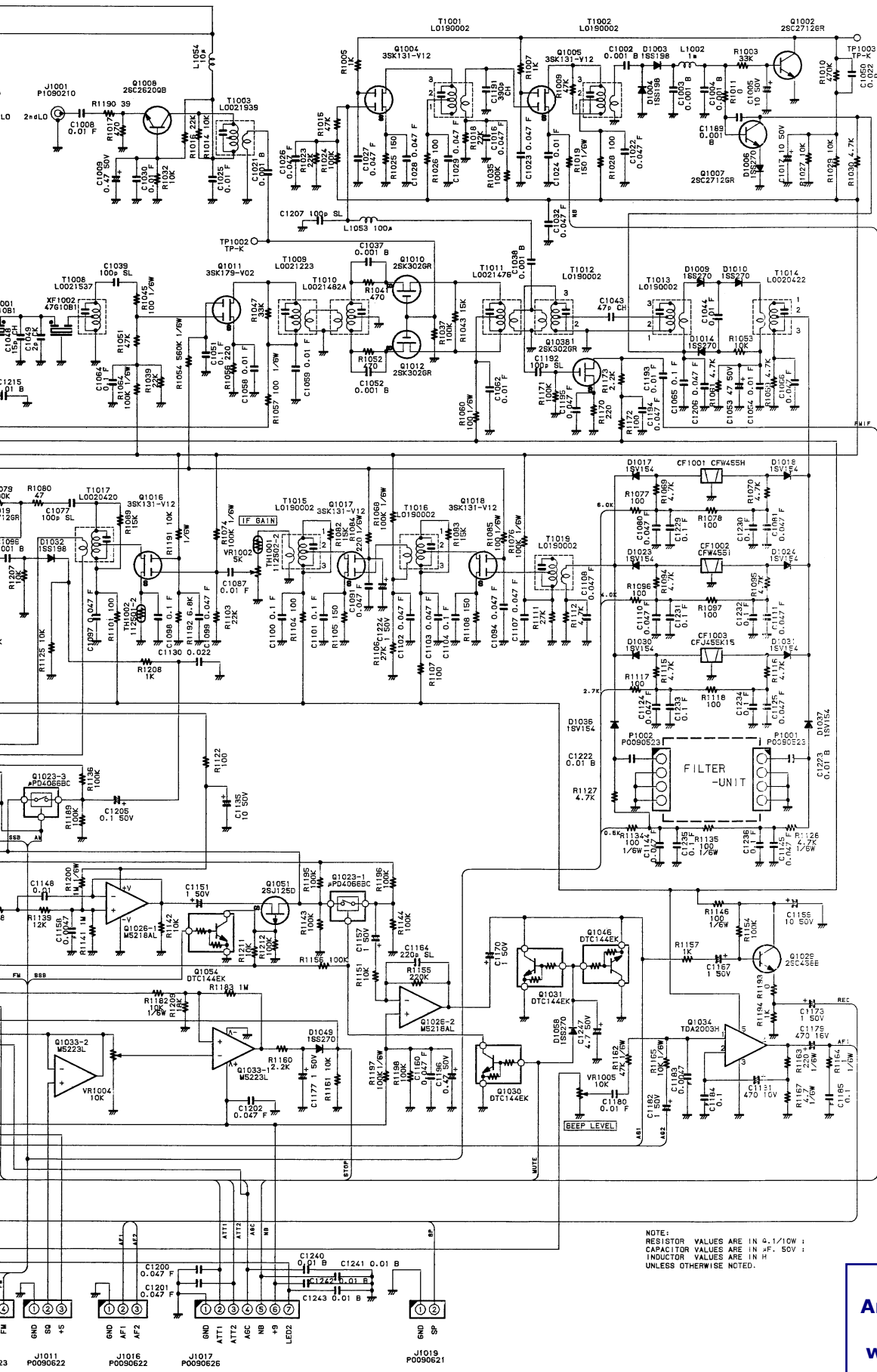




MAIN-UNIT

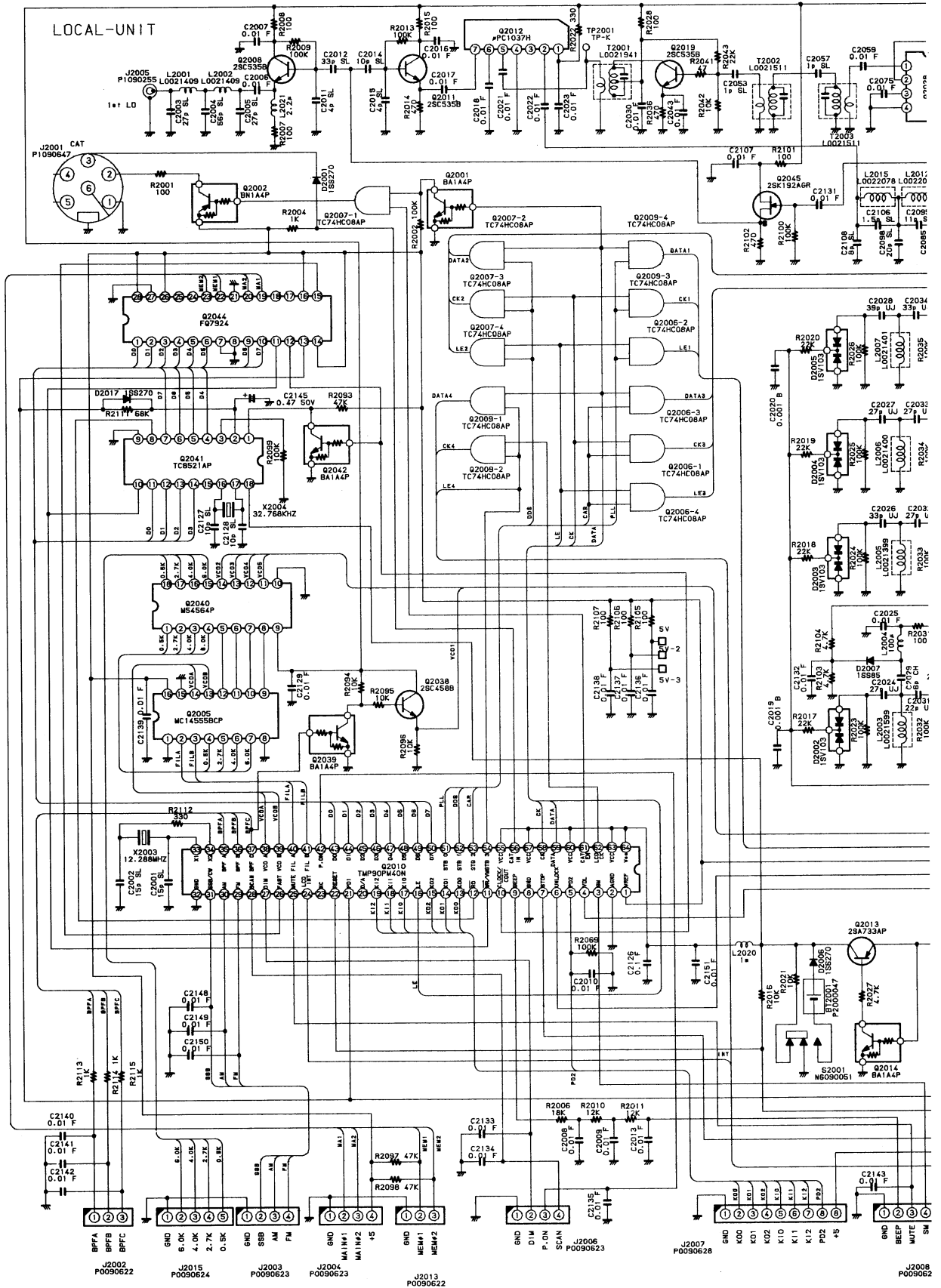
FM-UNIT

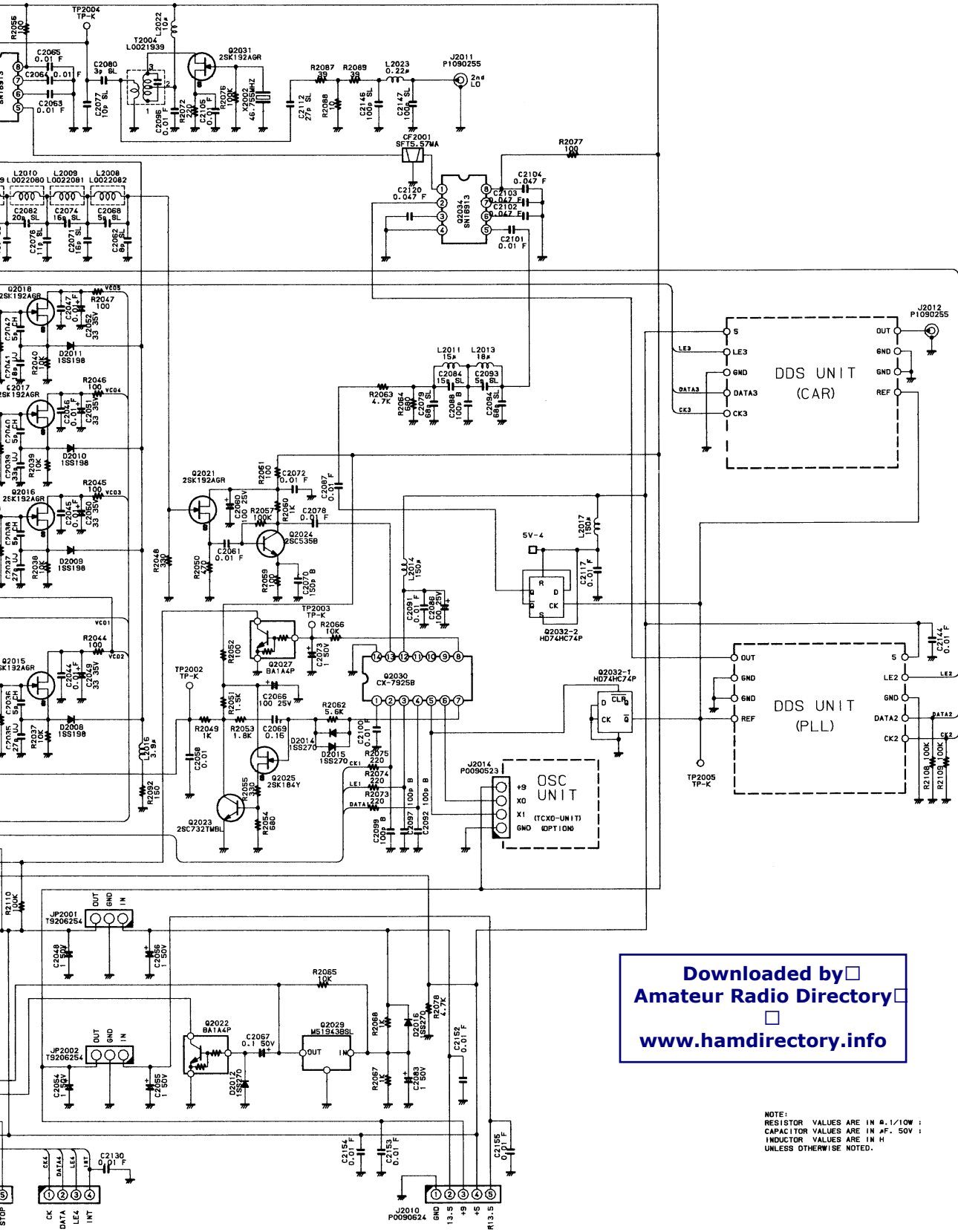
- J1001 P0090622
- J1018 P0090624
- J1012 P0090621
- J1013 P0090624
- J1014 P0090622
- J1020 P0090623
- J1015 P0090624
- J1022 P0090623
- J1021 P0090624
- J1023 P0090624



NOTE:  
 RESISTOR VALUES ARE IN Ω, 1/10W ;  
 CAPACITOR VALUES ARE IN nF, 50V ;  
 INDUCTOR VALUES ARE IN μH  
 UNLESS OTHERWISE NOTED.

LOCAL-UNIT

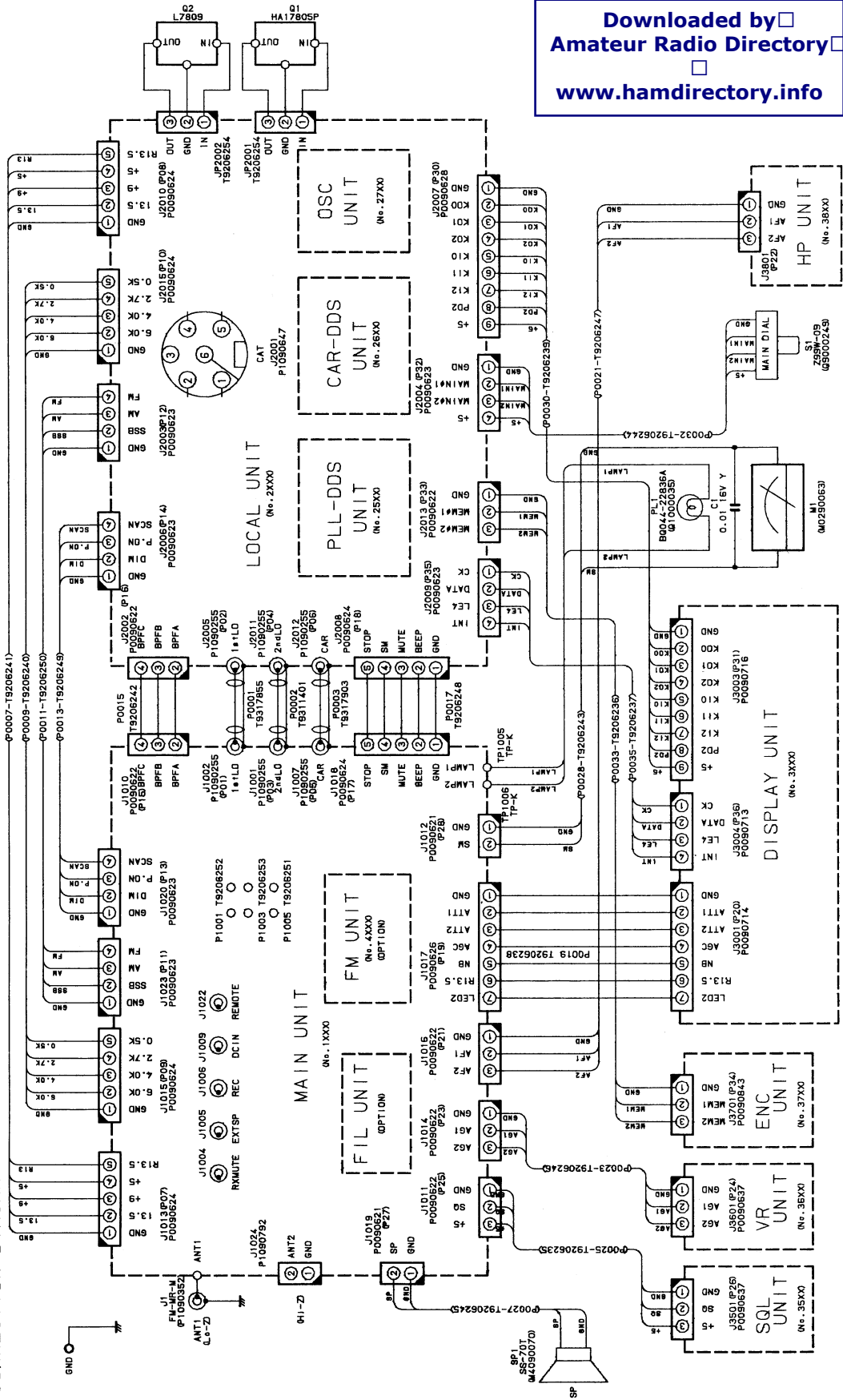


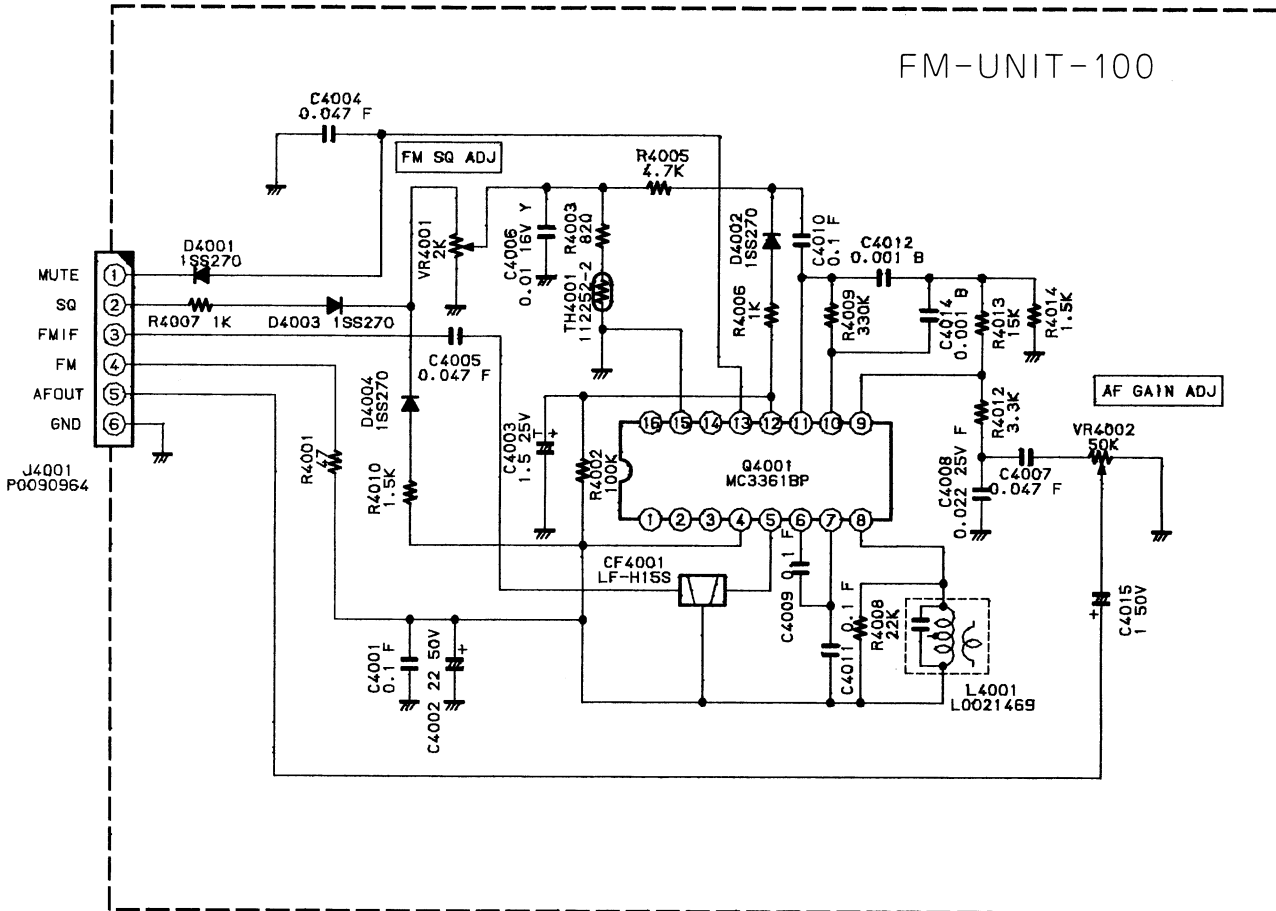


Downloaded by   
 Amateur Radio Directory   
  
[www.hamdirectory.info](http://www.hamdirectory.info)

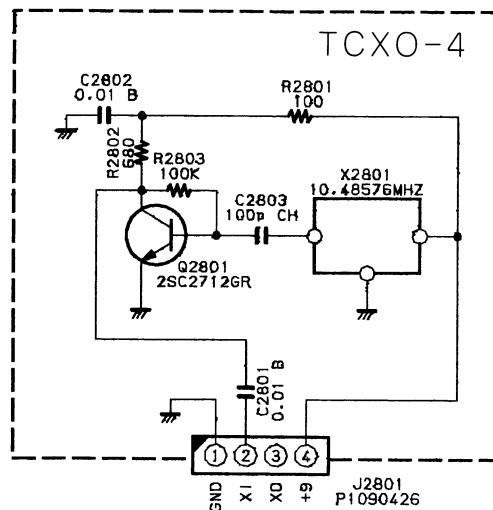
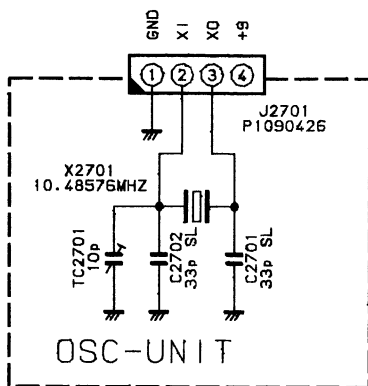
NOTE:  
 RESISTOR VALUES ARE IN  $\Omega$ , 1/10W ;  
 CAPACITOR VALUES ARE IN pF, 50V ;  
 INDUCTOR VALUES ARE IN H  
 UNLESS OTHERWISE NOTED.

CONNECTION DIAGRAM

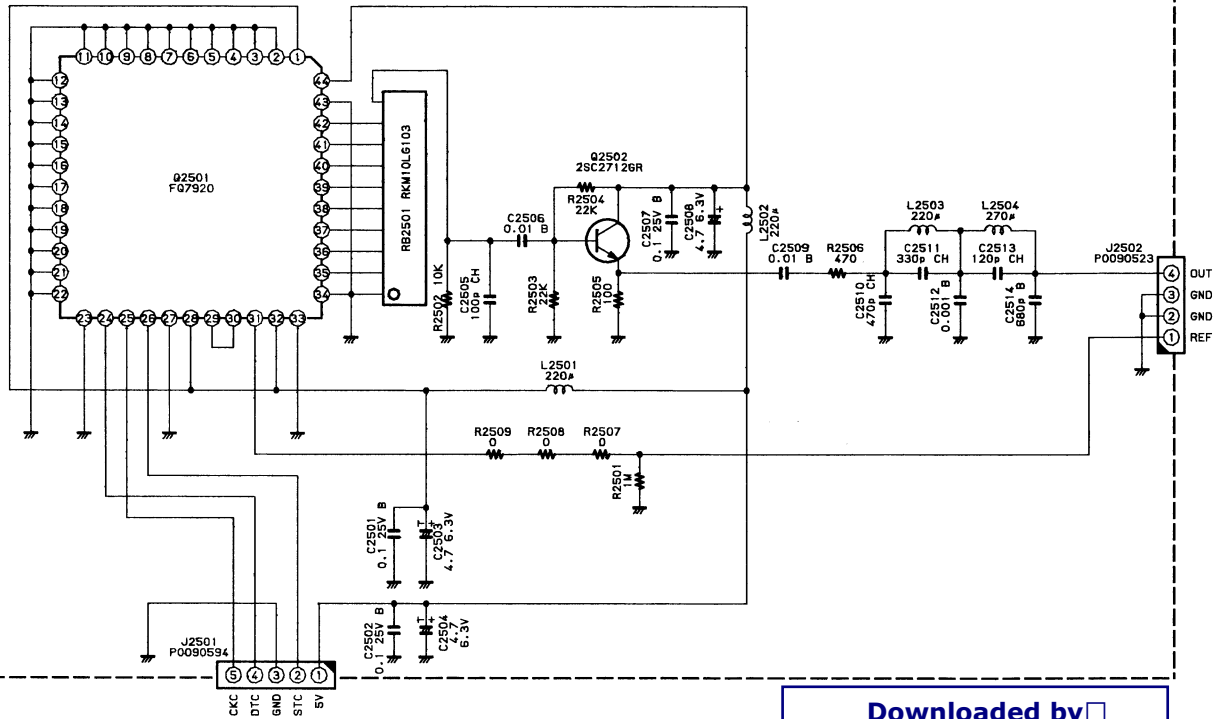




Downloaded by   
 Amateur Radio Directory   
  
[www.hamdirectory.info](http://www.hamdirectory.info)

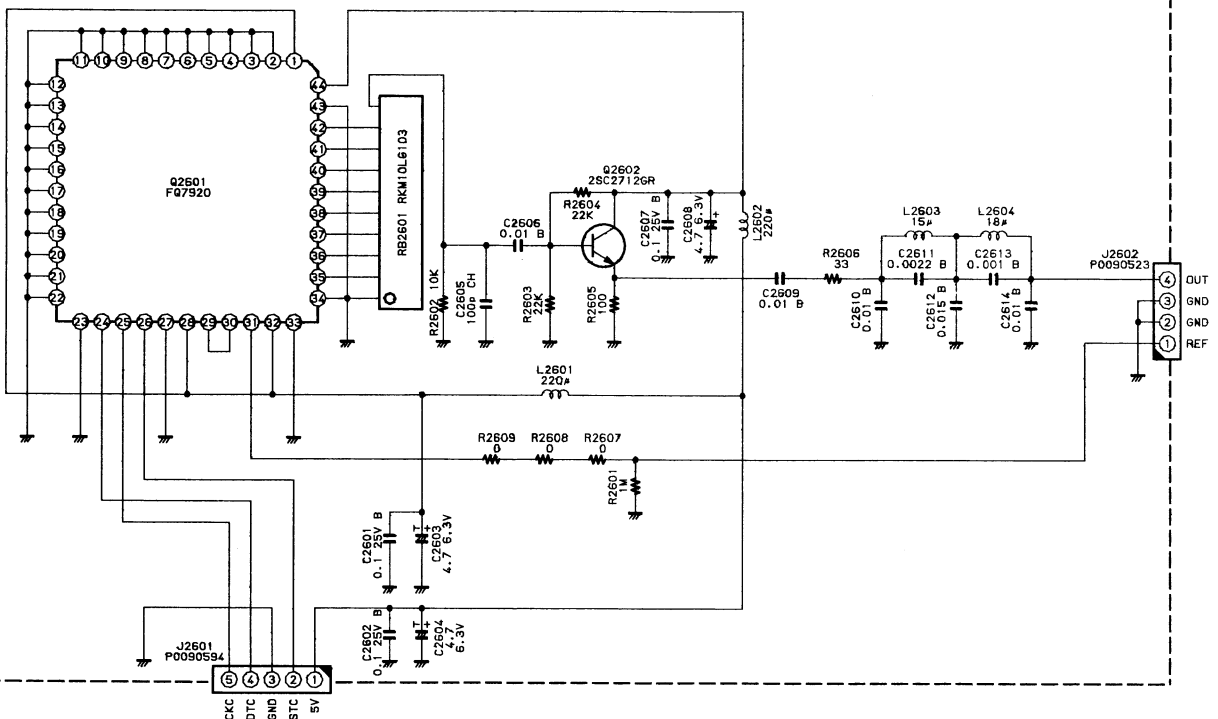


PLL DDS UNIT



Downloaded by   
 Amateur Radio Directory   
  
[www.hamdirectory.info](http://www.hamdirectory.info)

CAR DDS UNIT





Downloaded by   
 Amateur Radio Directory   
  
[www.hamdirectory.info](http://www.hamdirectory.info)

DISPLAY-UNIT

